

Installation Instructions - Define Torrent - Recessed

IMPORTANT: Read carefully before installing product. Retain for future reference.



WARNING



Risk of Fire, Electrical Shock, Cuts or other Casualty Hazards- Installation and maintenance of this product must be performed by a qualified electrician. This product must be installed in accordance with the applicable installation code by a person familiar with the construction and operation of the product and hazards involved.



Risk of Fire and Electric Shock- Make certain power is OFF before starting installation or attempting any maintenance. Disconnect power at fuse or circuit breaker.



Risk of Fire- Minimum 90°C supply conductors.



Risk of Personal Injury- Due to sharp edges, handle with care.



Risk of Personal Injury- Do not install this product in locations such as gymnasiums, arenas, sports complexes, multi-purpose rooms and other locations where the fixture potentially will be subject to impacts from external sources. Doing so may result in cracking and/or breaking of the fixture which may cause pieces to fall from the application.



Risk of Personal Injury- Failure to comply with these instructions may result in death, serious bodily injury and property damage.

DISCLAIMER OF LIABILITY: Cooper Lighting Solutions assumes no liability for damages or losses of any kind that may arise from the improper, careless, or negligent installation, handling or use of this product.

IMPORTANT: Read carefully before installing fixture. Retain for future reference.

CAUTION: Fixture may become damaged and/or unstable if not installed properly.

NOTE: Specifications and dimensions subject to change without notice.

NOTE: These instructions do not claim to cover all details or variations in the equipment, procedure or process described, nor to provide directions for every possible contingency during installation, operation, or maintenance. When additional information is desired to satisfy a problem not covered sufficiently for user purpose, please contact your nearest representative.

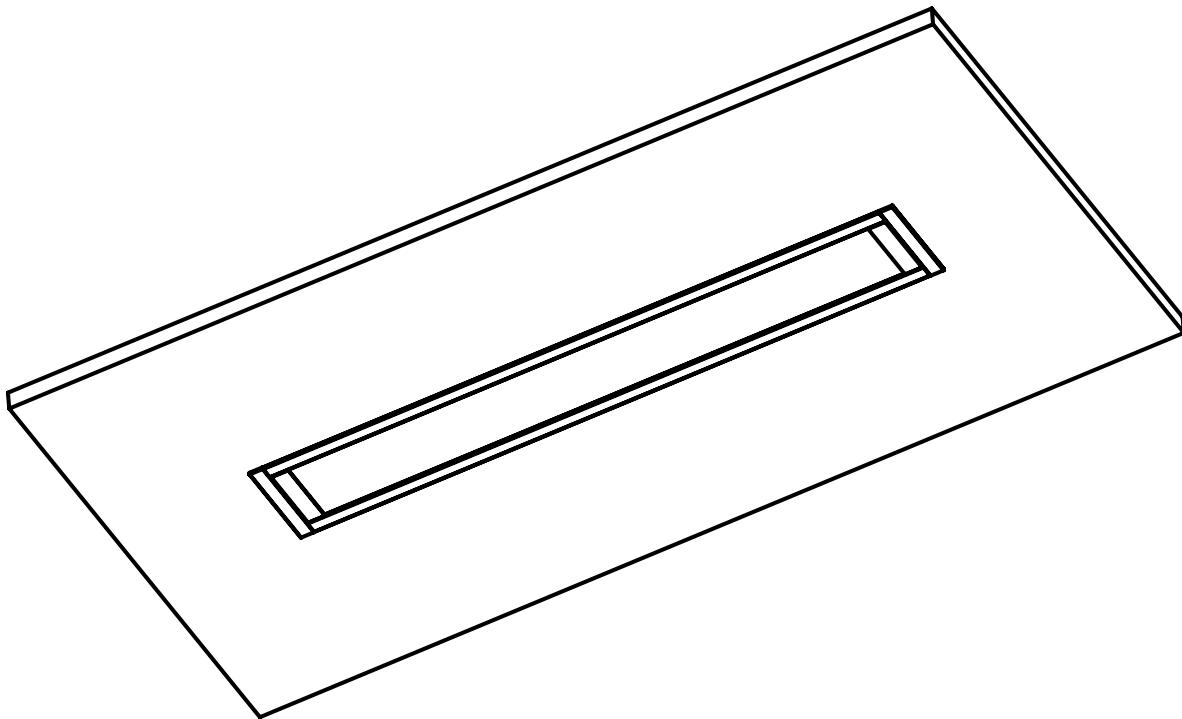
ATTENTION Receiving Department: Note actual fixture description of any shortage or noticeable damage on delivery receipt. File claim for common carrier (LTL) directly with carrier. Claims for concealed damage must be filed within 15 days of delivery. All damaged material, complete with original packing must be retained.

SAVE THESE INSTRUCTIONS


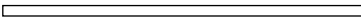



This installation instruction is for the Define Torrent Recessed Mount

The purpose of this document is to provide sufficient detailed instructions for installation and basic troubleshooting.

Define Torrent - Recessed



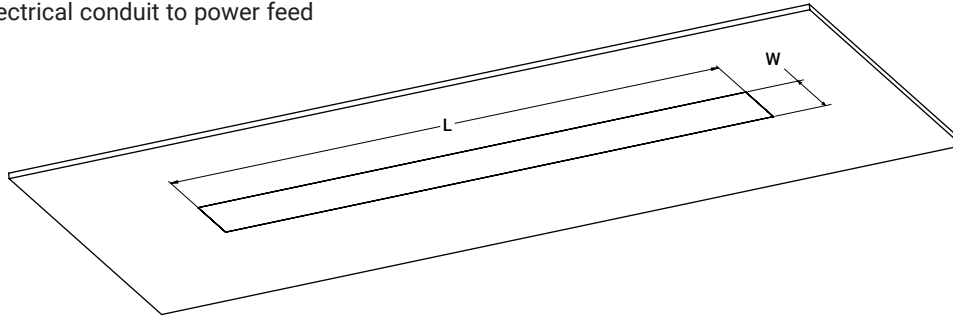
Wiring Table

Power Supply (Input)	
	Black (BK) - Hot
	White (WT) - Neutral
	Green (GN) - Ground
	Violet (VT) - Dimming (+)
	Pink (PK) - Dimming (-)

INSTALLATION

Rough-Ins

1. Determine rough-in dimensions (Fig 1-4)
2. Install blocking and ceiling using rough-in dimensions.
3. Run wet rated electrical conduit to power feed locations.



Rough-In Width

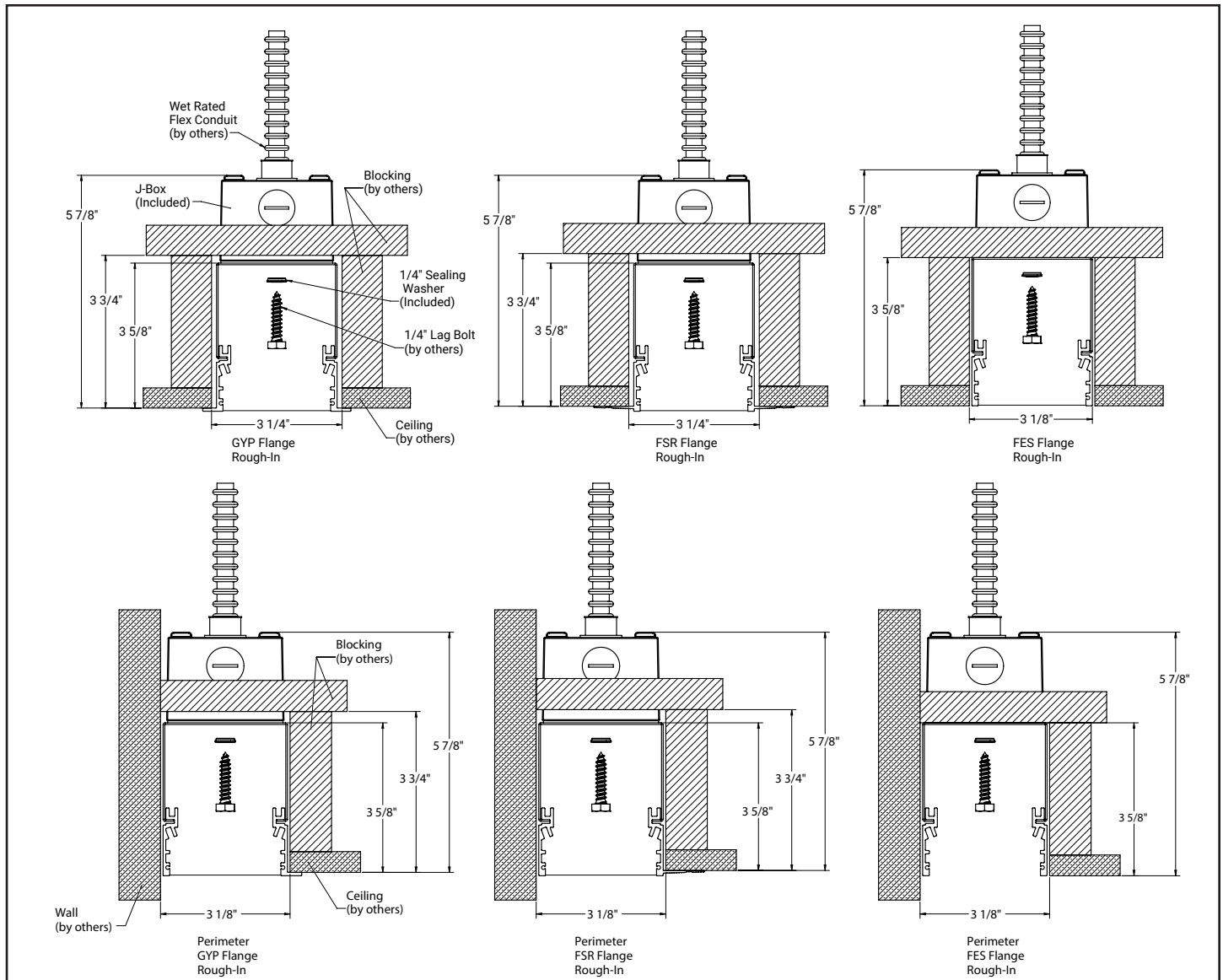


Figure 1

Rough-Ins

Rough-In Length

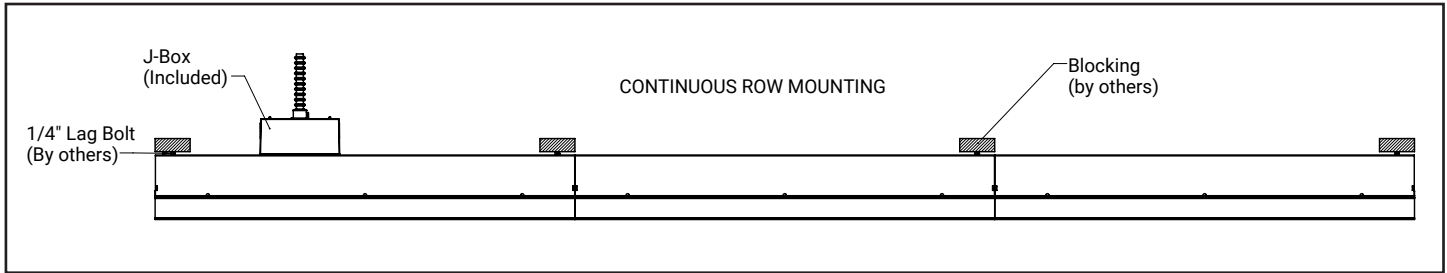


Figure 2

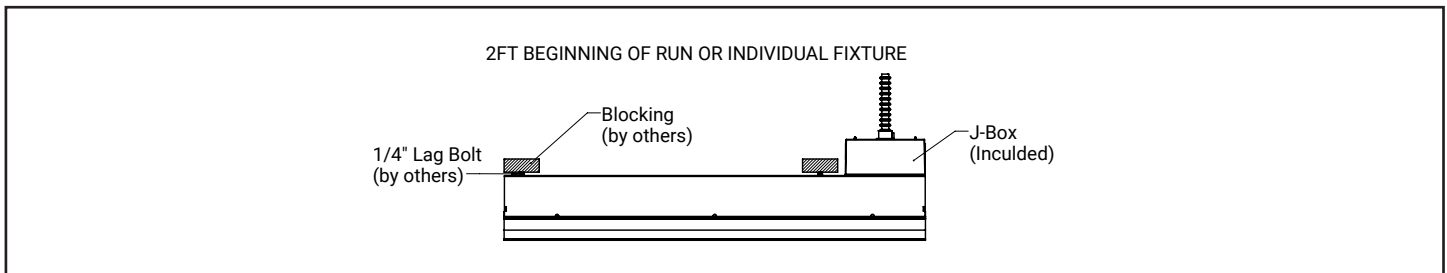


Figure 3

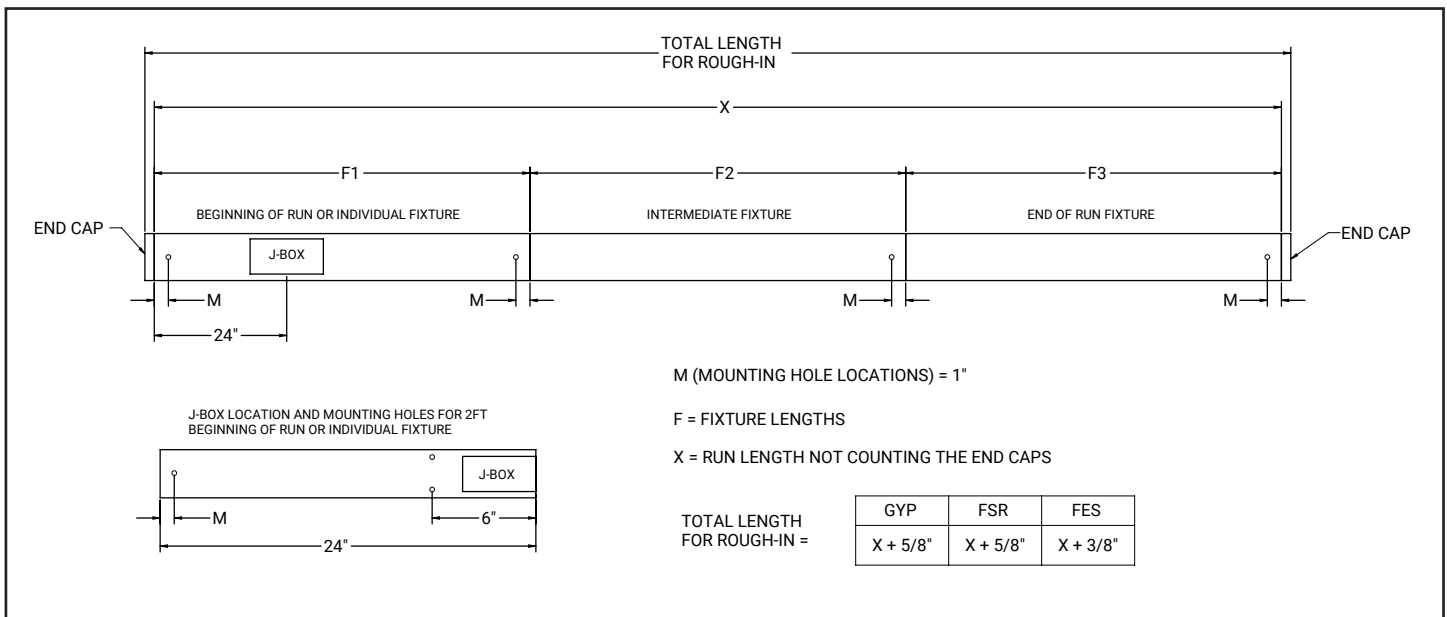


Figure 4

Fixture Preparation

1. Remove the lens clips using the provided lens removal tool. Slide the tool under the clip and lift each corner until the clip pops out of the fixture. (Figure 5)

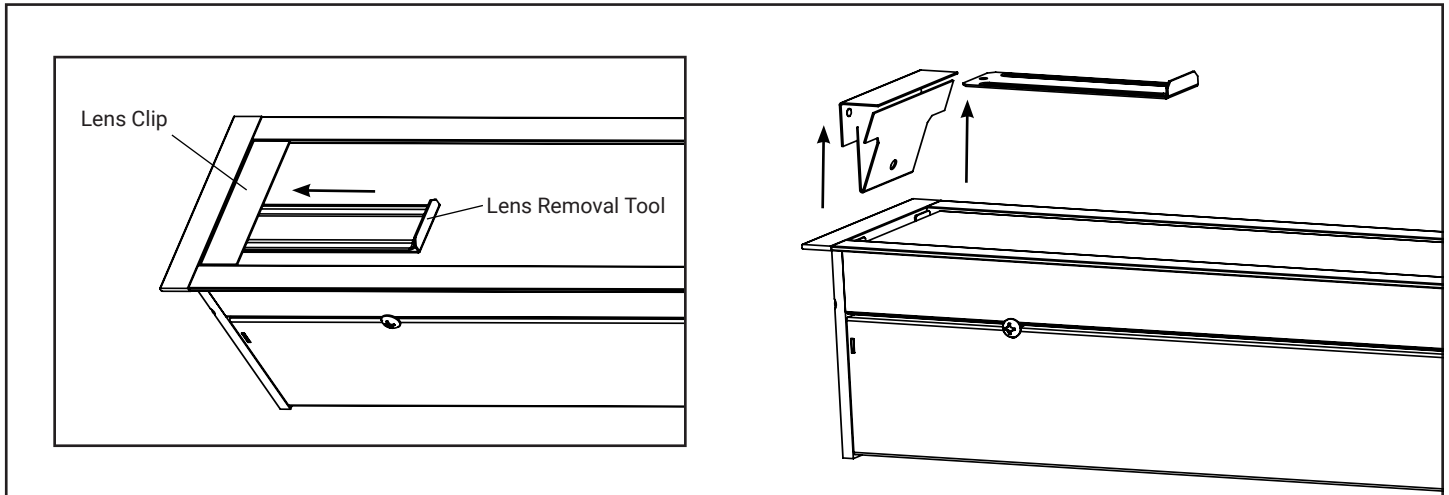


Figure 5

2. Remove the lens using provided lens removal tool. Insert the tool between the lens and the end cap and gently pry the lens up. Complete lens removal by hand. (Figure 6)

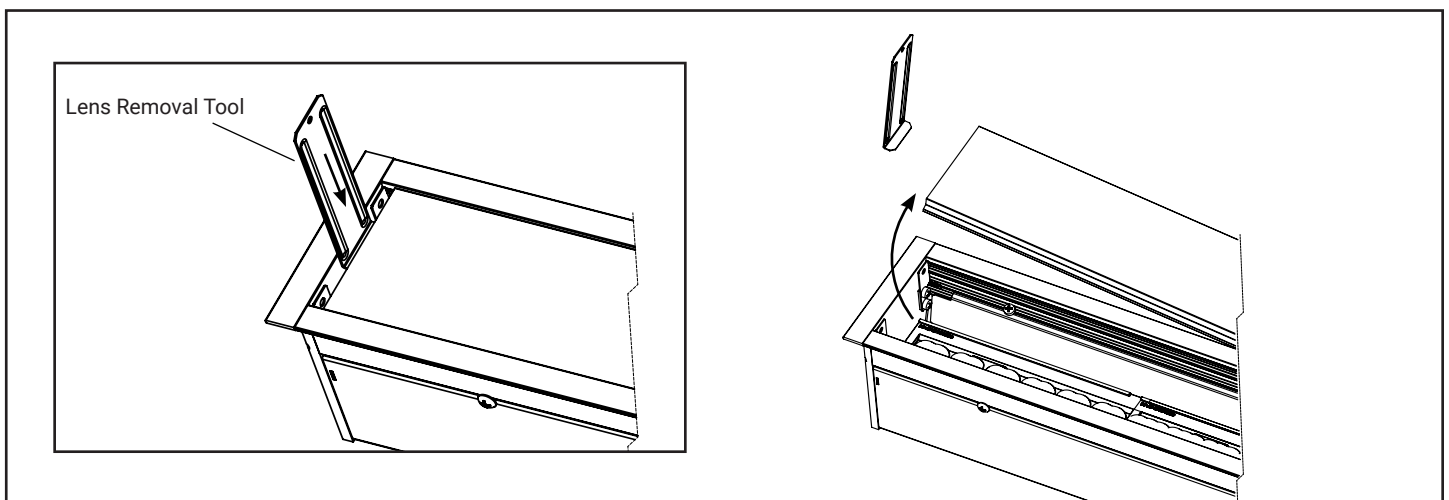


Figure 6

3. Unscrew the LED modules from the fixture(s).
Remove them attached together.
(Figure 7)

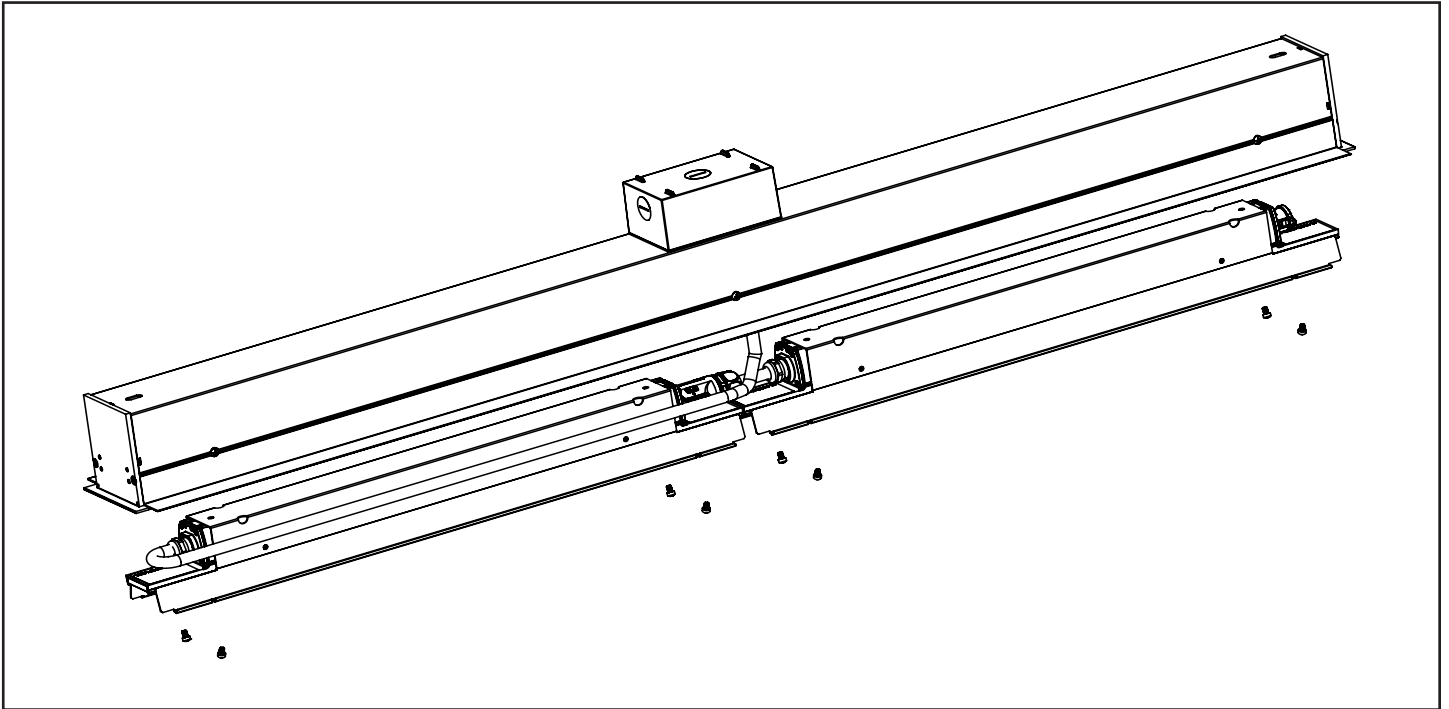


Figure 7

4. Remove Electrical Access Cover from inside the fixture
(two screws). Do not remove the J-Box from the fixture.
(Figure 8)

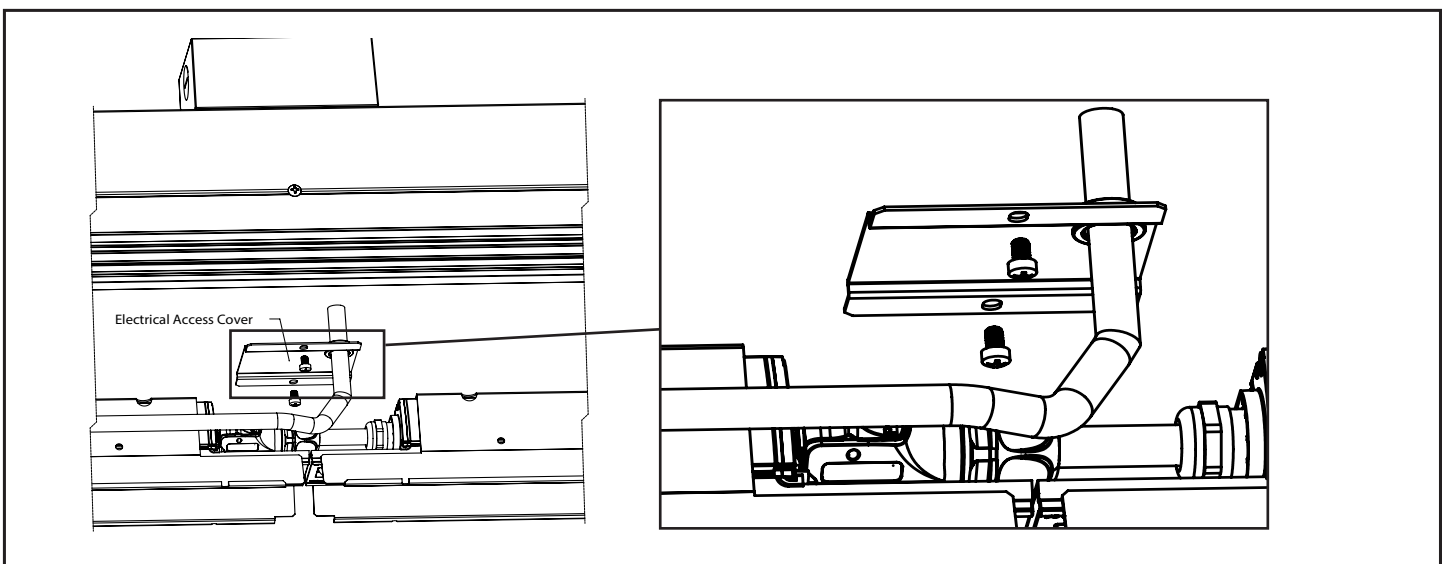


Figure 8

- 5. FOR FSR ONLY
Install the aperture brackets. Inset from each end and spaced evenly.
(Figure 9)

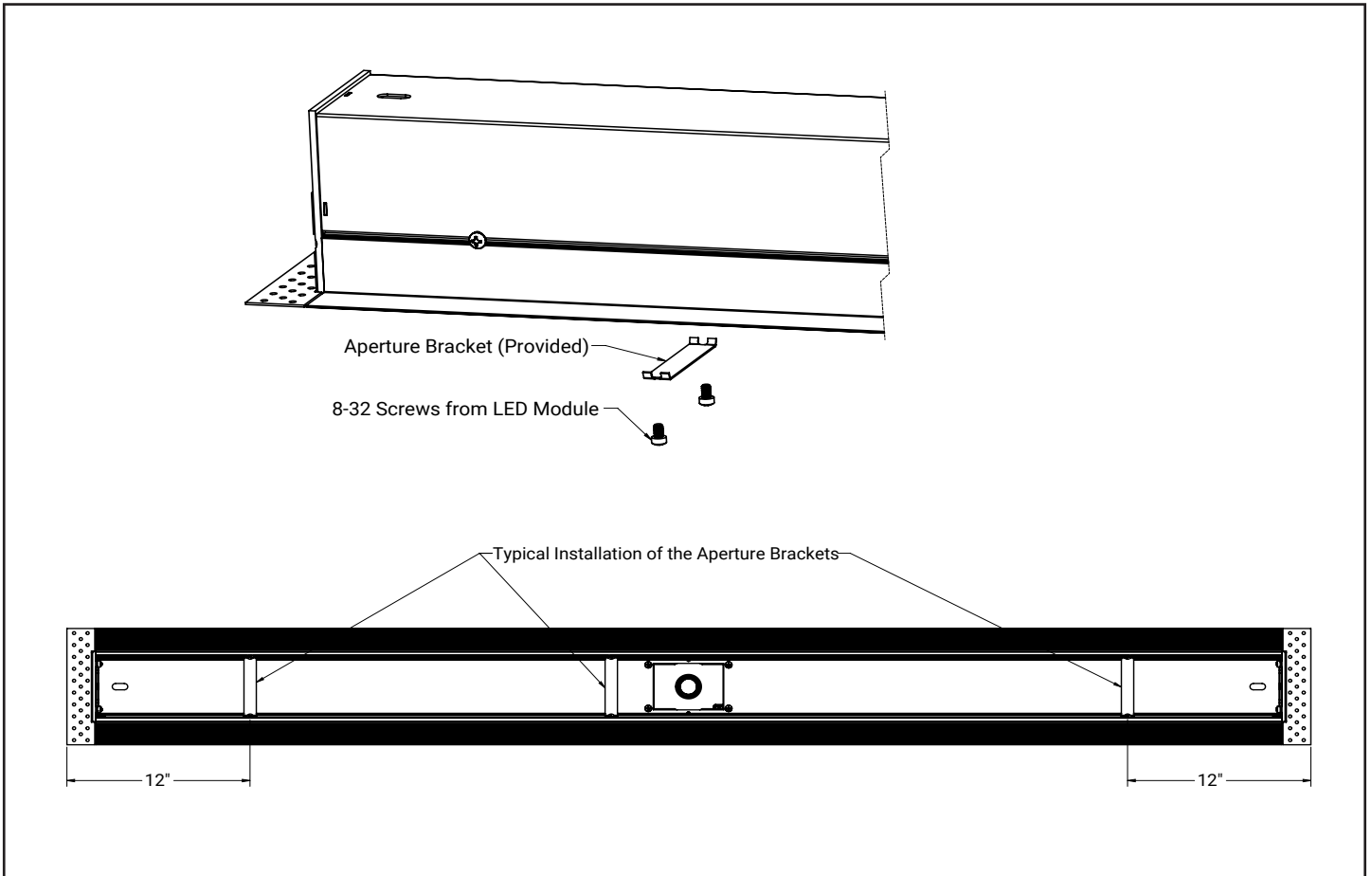


Figure 9

Installing an Individual or Beginning of Run Fixture

1. Attach wet rated conduit to the J-Box and pull wire into the J-box.
(Figure 10)

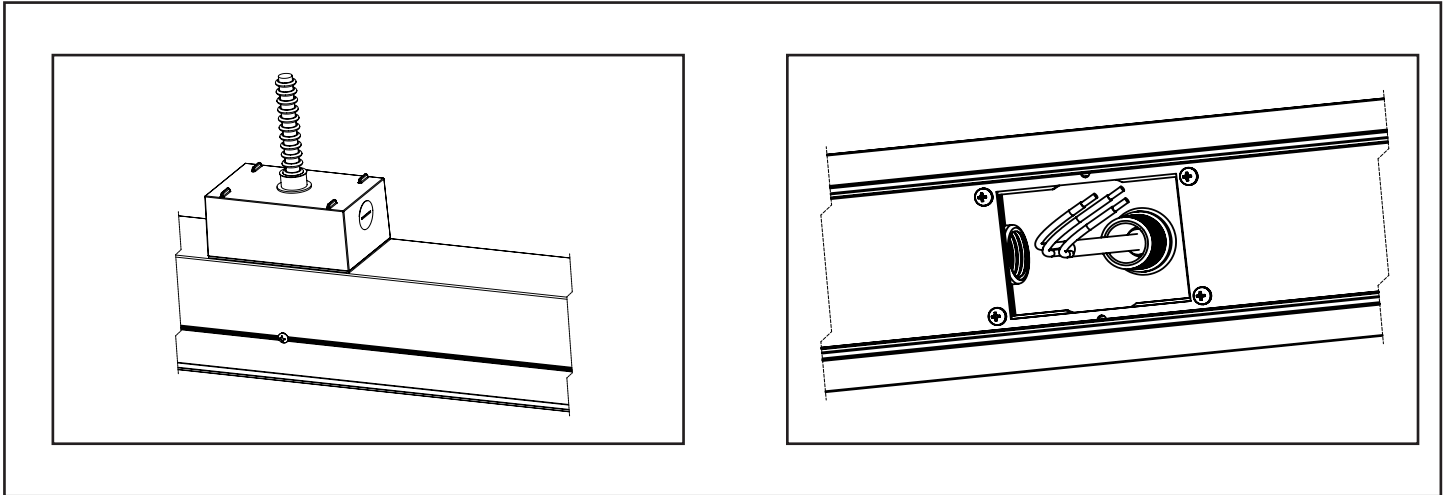


Figure 10

2. Install the fixture using 1/4" lag bolts suitable for the blocking and sealing washers at both ends.
(Figure 11)

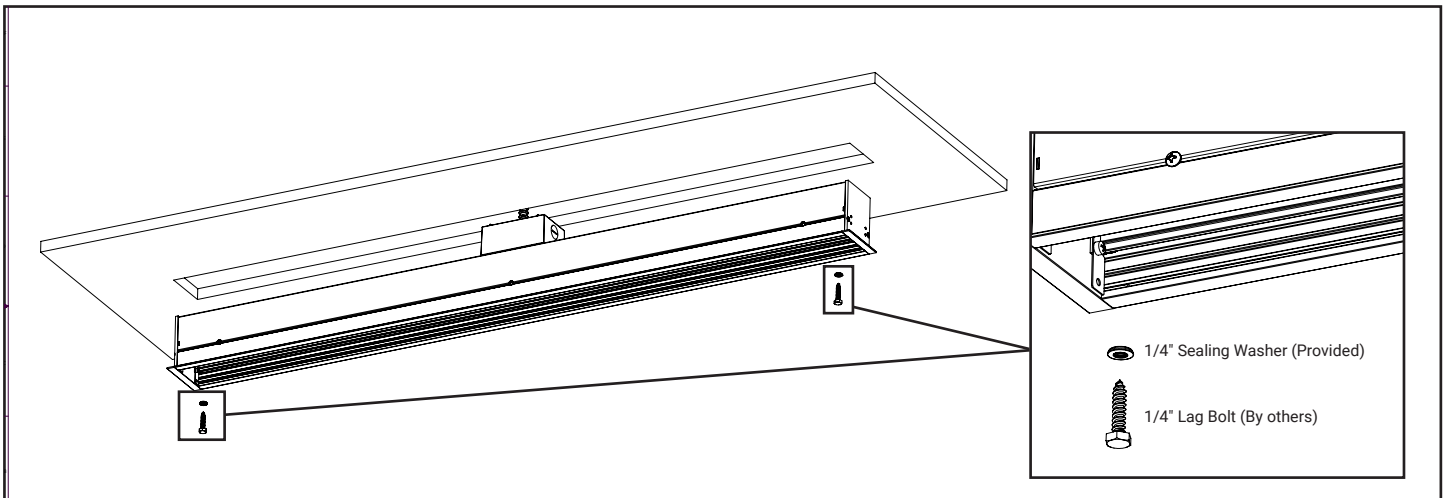


Figure 11

Installing an Intermediate or End of Run Fixture

1. Join the fixtures together using 10-32 bolts and nuts. (Figure 12)
2. Attach the end of the fixture using a 1/4" lag bolt suitable for the blocking and a sealing washer. (Figure 13)
3. Install cast joiners between the fixtures and drive screws into the housing. (Figure 14)

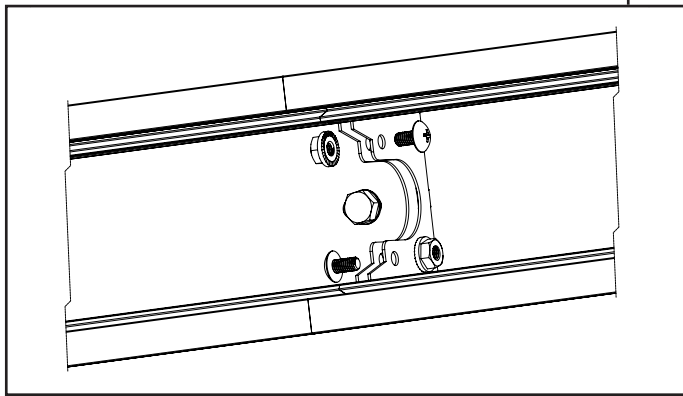
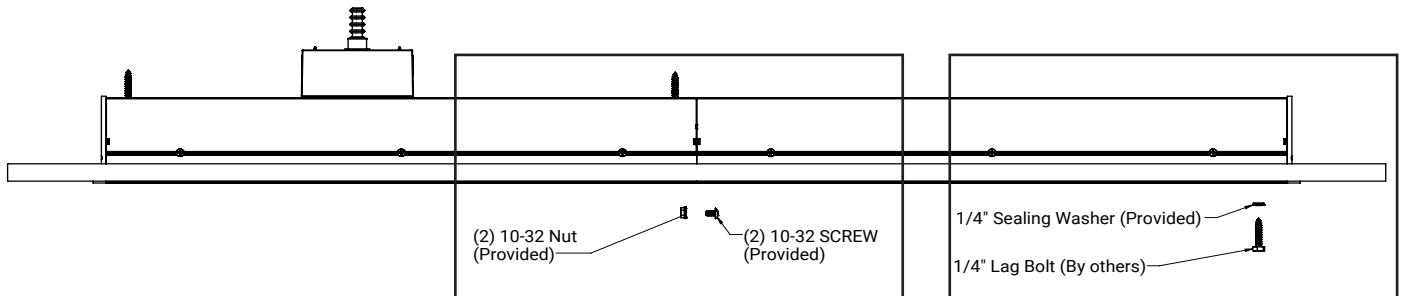


Figure 12

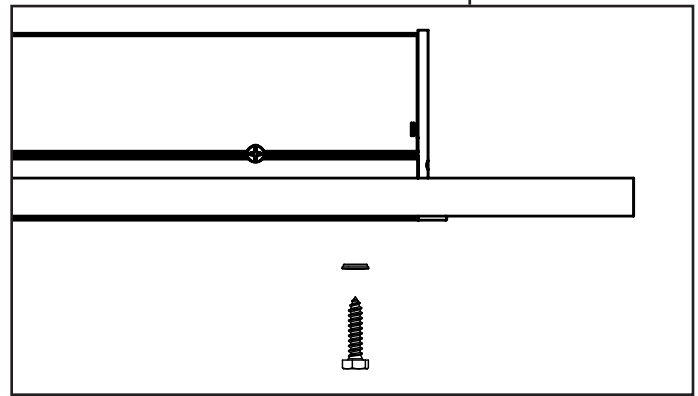


Figure 13

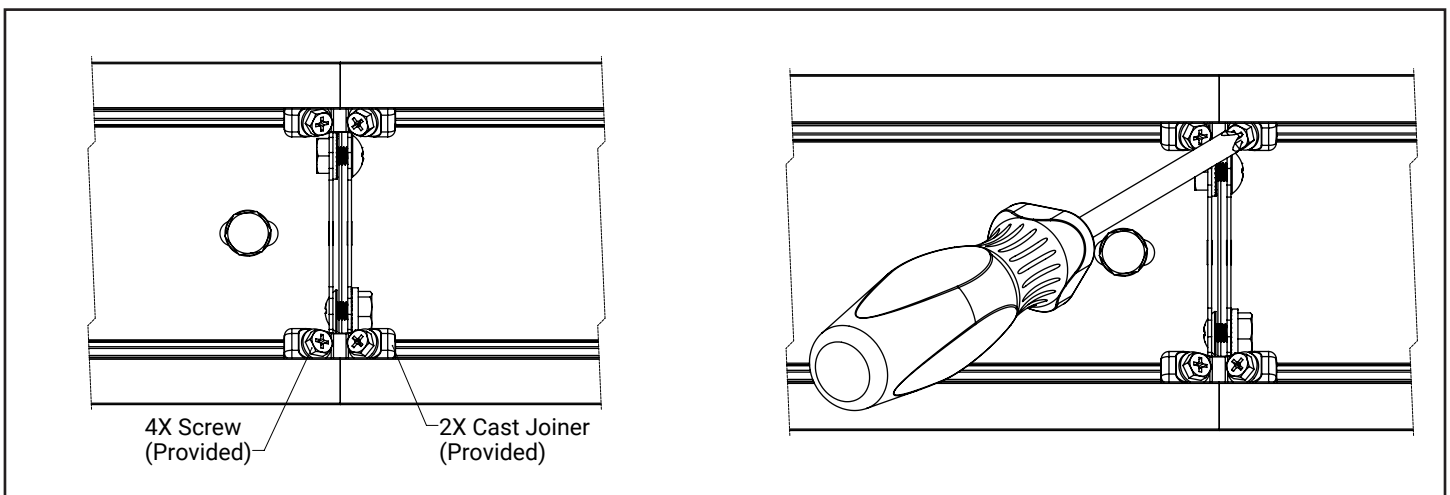
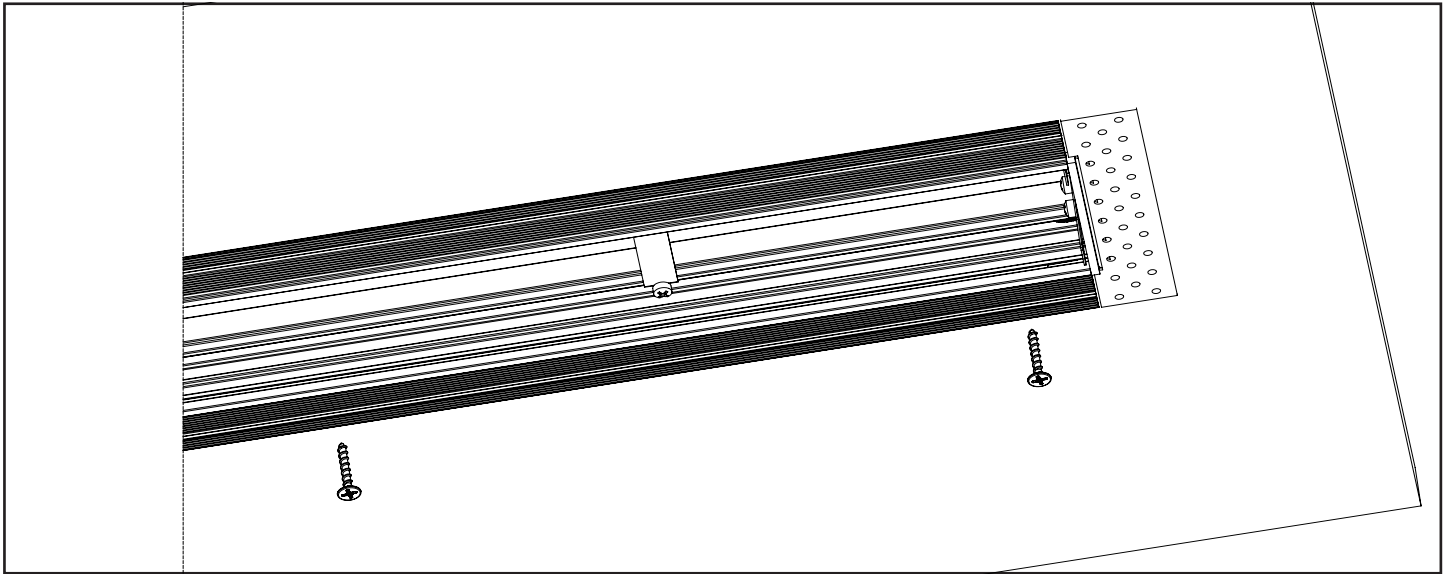


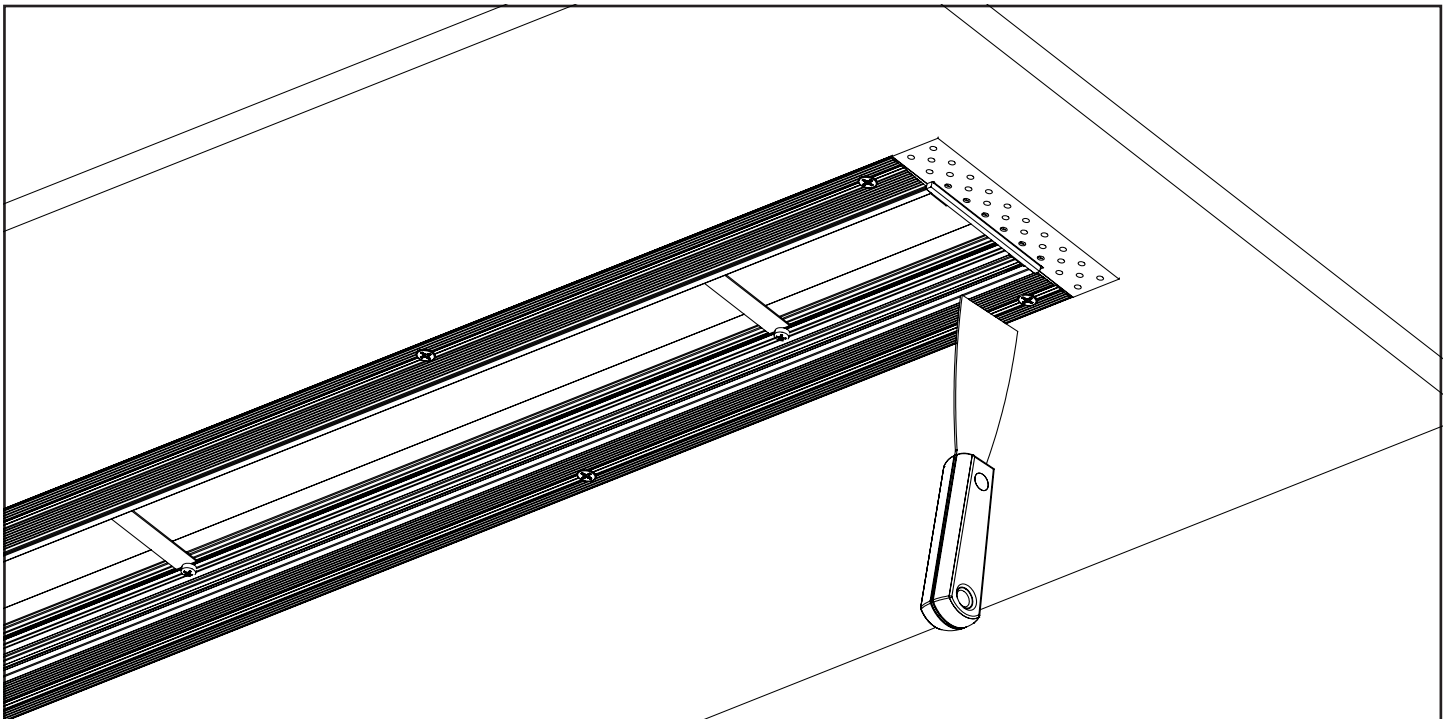
Figure 14

4. FOR FSR ONLY

Drill pilot holes along FSR flange and install screws for appropriate structure. One screw every 2 feet is recommended.
(Figure 15)

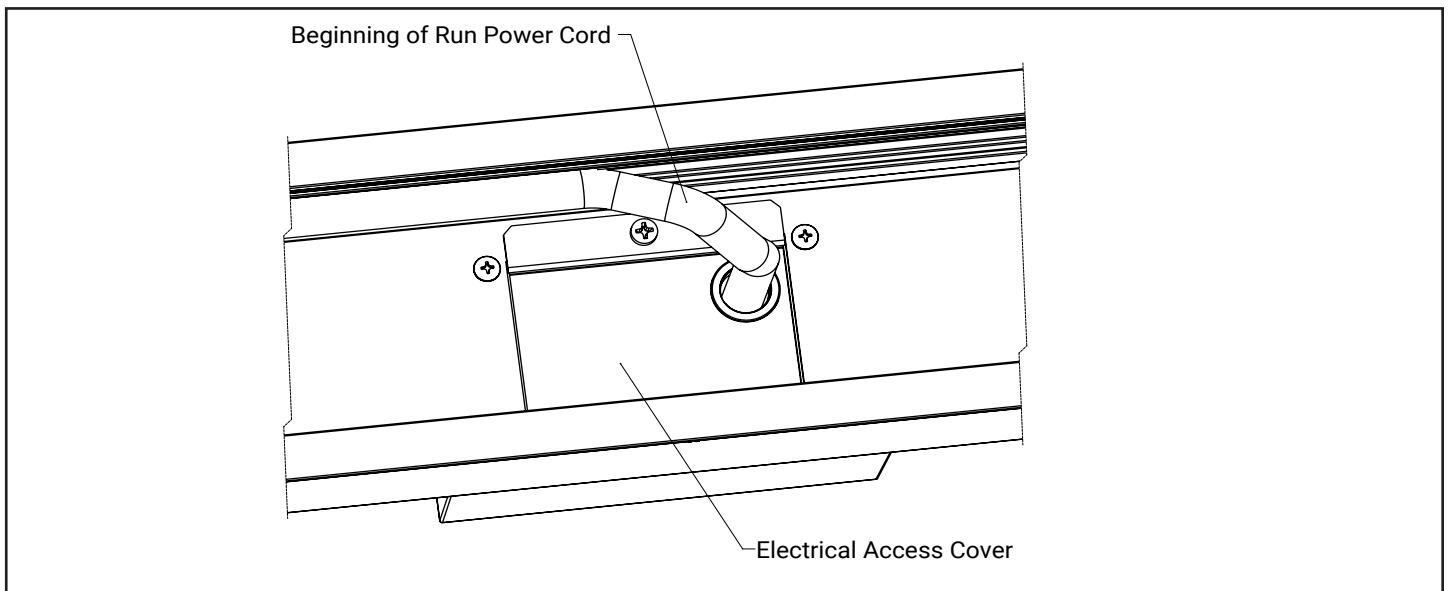
**Figure 15****5. FOR FSR ONLY**

Apply joint compound to the flanges and “feather” at least 12” from the fixture. Make sure compound has cured before removing the aperture brackets.
(Figure 16)

**Figure 16**

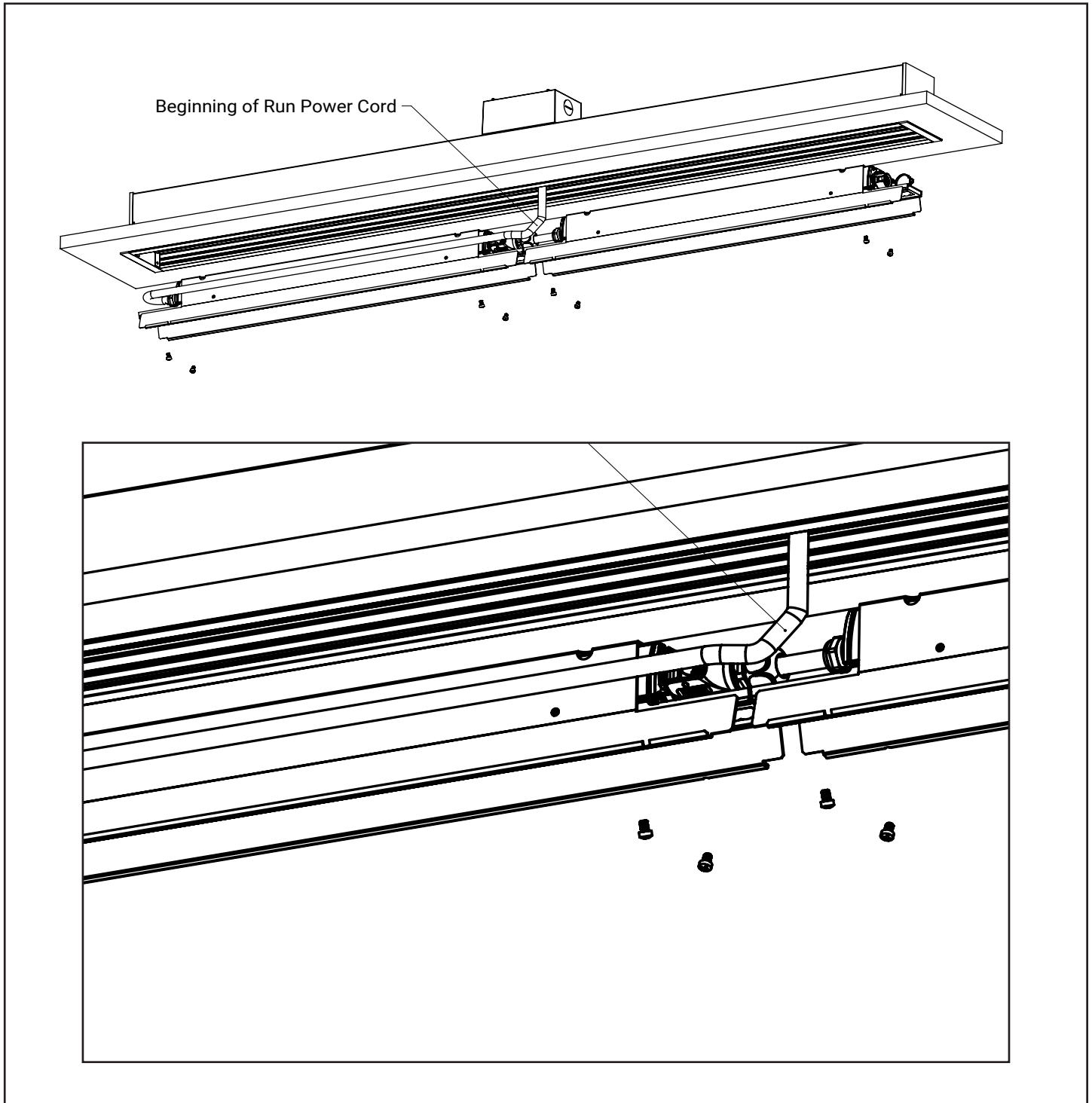
Instal LED Modules

1. At the J-Box, make electrical connections with the Beginning of Run Power Cord following the wiring table on Page 2.
2. Push the wires into the J-Box and re-install the electrical access cover. (Figure 17)

**Figure 17**

Instal LED Modules

3. Re-install the LED modules. Route the beginning of run power cord along the side of the LED module as shown. The cord goes along the same side of the LED module as the entrance hole in the electrical access cover. Do not pinch the power cord during installation. (Figure 17 and Figure 18).

**Figure 18**

4. For a run of fixtures, join the LED modules together, as you install them in the fixture.
5. Open the self-closing cap on the female connector and make the connection. Connector must “click” to ensure proper connector.
6. To disconnect, squeeze the silver PUSH tab on the male connector and pull the LED modules apart.

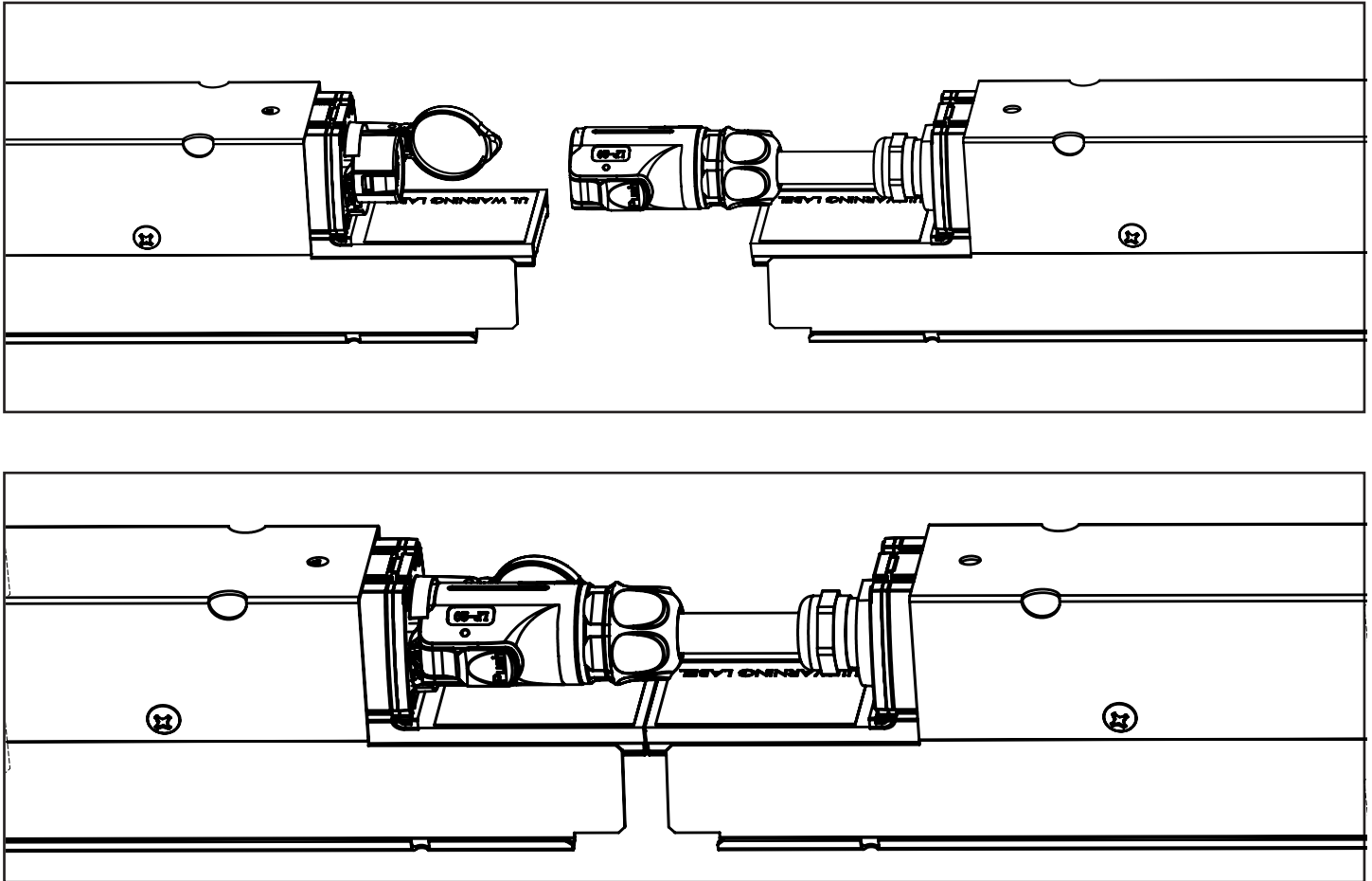


Figure 19

Install Lens and Lens Clip

1. Re-install the lens by squeezing one end and inserting that end into the fixture opening.
2. Press the lens along the length of the fixture until it snaps into place.
3. For continuous runs, ensure seams of adjacent lenses are touching. (Figure 20)

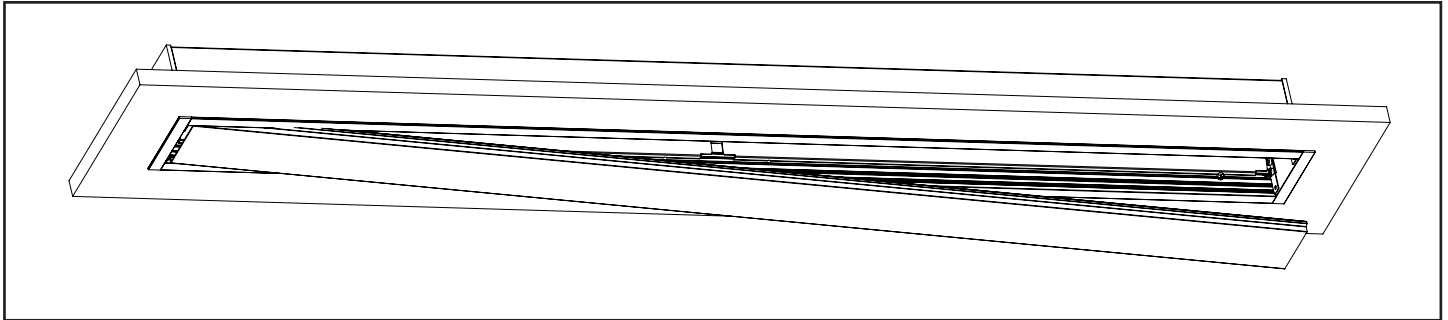
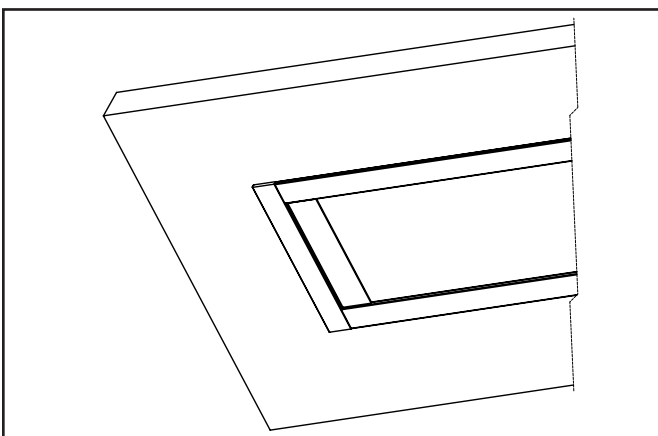
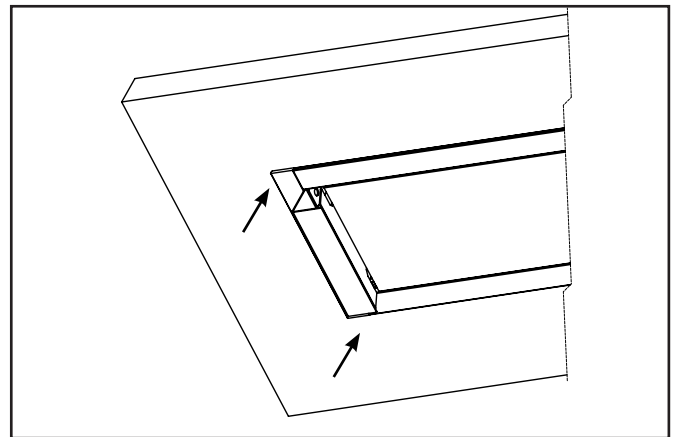
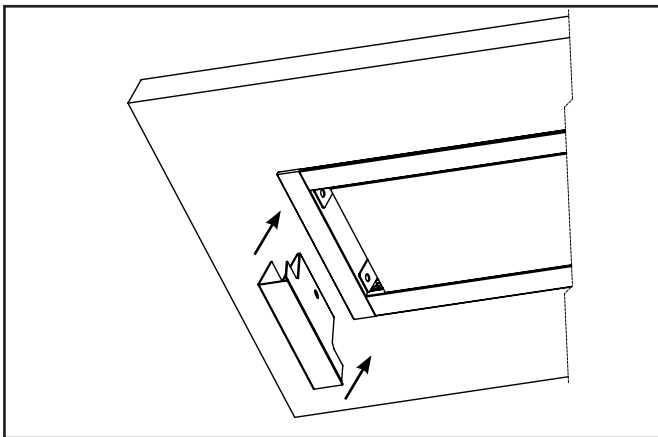


Figure 20

4. Re-install the lens clips by sliding the clip in between the end cap and the retention springs.
5. The lens clip will “snap” into place.



Warranties and Limitation of Liability

Please refer to www.cooperlighting.com/global/warranty for our terms and conditions.

Garanties et limitation de responsabilité

Veuillez consulter le site www.cooperlighting.com/global/warranty pour obtenir les conditions générales.

Garantías y Limitación de Responsabilidad

Visite www.cooperlighting.com/global/warranty para conocer nuestros términos y condiciones.