

Project		Catalog #		Type	
Prepared by		Notes		Date	



Metalux

Vaportite LED Selectable

VT3 Selectable CCT and Lumen
Industrial LED Vaportite

Typical Applications

Parking Garage • Cold Storage • Canopy • Warehouse • Food Processing • Manufacturing • Complex Environments

Product Certification



Product Features



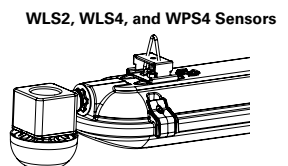
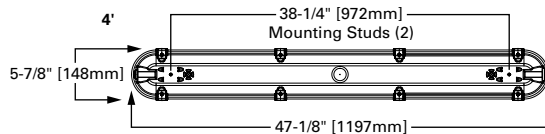
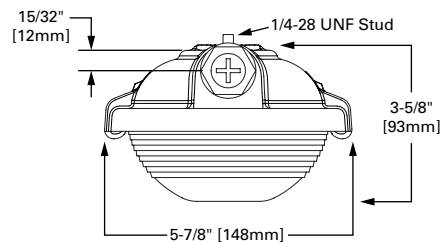
Interactive Menu

- Order Information [page 2](#)
- Photometric Data [page 3](#)
- Product Warranty

Top Product Features

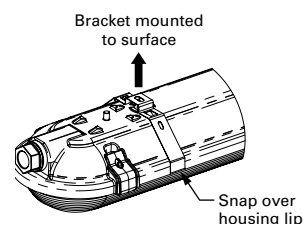
- CCT and Lumen select with up to (3) CCT and lumen choices
- Compact and durable fiberglass reinforced polyester housing
- Precision optics in general, wide, or parking garage distribution
- Impact protection rating IK07 Lens and IK07 Housing
- High Impact Polycarbonate optical lens
- Wet Location and IP67 Listed

Dimensional, Mounting Details

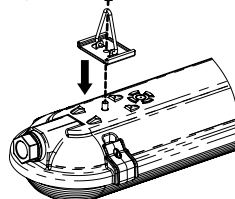


Installation Data

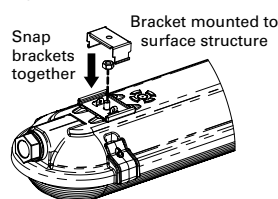
STANDARD



V-HANGER (optional)



SURFACE BRACKET (optional)



Order Information

SAMPLE ORDER NUMBER: **4VT3-SL3C3-G-UNV**

Domestic Preferences ⁽¹⁾	Series ⁽²⁾	Distribution ^{(3), (4)}	Voltage	Remote Emergency Enclosure
[Blank] =Standard BAA =Buy American Act TAA =Trade Agreements Act	4VT3-SL3C3 =VT3 Selectable Selectable Lumens (See table on pg. 3 for details) 4000/5100/6400 Selectable Color 3000K/3500K/4000K	G =General Distribution W =Wide Distribution P =Parking Garage Distribution WPC =Wide Distribution, Polycarbonate PPC =Parking Distribution, Polycarbonate	UNV =Universal Voltage 120-277 Volt	EL10W =10-watt, 120-277V emergency battery pack installed ^{(6), (7)} VT-REM-EL10W =Remote mounted 10-watt, 120-277V emergency battery pack ⁽⁸⁾
Notes (1) Only product configurations with these designated prefixes are built to be compliant with the Buy American Act of 1933 (BAA) or Trade Agreements Act of 1979 (TAA), respectively. Please refer to DOMESTIC PREFERENCES website for more information. Components shipped separately may be separately analyzed under domestic preference requirements.	Notes (2) DesignLights Consortium® Qualified and classified for DLC Standard, refer to www.designlights.org for details.	Notes (3) General distribution provided with smooth frosted lens, Wide distribution provided with frosted prismatic lens, and Parking Garage distribution provided with clear prismatic lens. (4) IP69 only available in Wide or Parking Garage distributions.		Notes (6) IP ratings require fixtures be mounted horizontally. (7) EL10W option rated for max. 35°C ambient. (8) VT-REM-EL10W option rated for max. 45°C ambient.

Driver Type	Options	Packaging	Accessories (order separately) ⁽¹¹⁾
[Blank] =Standard (0-10V Driver, 10%-100%)	SSL =Stainless Steel Latches TP =Standard Latch with Tamper-proof Screws SSLTP =Stainless Steel Latches with Tamper-proof Screws MSWL20 =Wet Listed Motion Sensor 360°, Non-dimming WPS4 =WaveLinX PRO Wireless Sensor, Sidecar mount, with 1200 sq ft. coverage ⁽⁹⁾ WLS4 =WaveLinX LITE Wireless Sensor, Sidecar mount, 15' - 40' Mounting Height ^{(9), (10)} WLS2 =WaveLinX LITE, Integrated Sensor, Bluetooth Programmable, 7' - 15' Mounting ^{(9), (10)}	[Blank] =Unit Pack	VT3-SS-VBK =Stainless Steel V-Bracket (2 per kit) VT3-SS-SBK =Stainless Steel Surface Bracket (2 per kit)
	Notes (9) Not compatible with EL10W. (10) WaveLinX LITE devices are not currently compatible with the WaveLinX PRO Wireless Area Controller.		Notes (11) Accessories sold separately will be separately analyzed under domestic preference requirements. Consult factory for further information.

Product Specifications

Construction

- Rugged and durable construction
- Fiberglass housing is reinforced polyester and self-extinguishing (ASTM-D635-74) plastic
- Die formed metal chassis and electrical tray
- Watertight housing
- 1/2" conduit entry at each end of housing (standard) for continuous feed
- Polyurethane gasketing provides a continuous seamless seal for the diffuser lens
- Four sturdy cam latches clamp diffuser tightly for a positive seal between housing, gasketing and diffuser
- Stainless steel latches option
- Surface or chain mounting
- Impact protection rating IK07 Lens and IK07 Housing
- IK10 for polycarb lens with parking and wide distribution

Controls

- Integral 360° motion sensor, 1200 sq. ft. coverage
- WaveLinX Pro Wireless Sensor provides 1200 sq. ft. coverage for occupancy sensing and daylight harvesting
- WaveLinX Lite Wireless sensor suitable for low or high bay applications up to 40ft (45ft major motion).
- All fixtures with sensor come with two (2) hubs as standard

WaveLinX LITE devices are not currently compatible with the WaveLinX Pro Wireless Area Controller

Electrical

- Selectable lumen output choices of low, medium, high
- Selectable Color temperature choices in 3000K, 3500K and 4000K with a CRI >= 80
- Projected life is 60,000 hours at 89% lumen output
- Driver 120-277V with 0-10V dimming control standard
- Default CCT/Lumen setting is 4000K and Medium Power
- Operating temperature of -40°C to 55°C; Ideal for cold storage environments

Lens

- Thermoformed low profile, high impact 50% DR High acrylic lens
- Smooth frosted lens for general distribution
- Frosted prismatic lens for wide distribution
- Clear prismatic lens for parking garage distribution

Warranty

- Five-year limited warranty

Compliance

- UL/cUL listed for Wet location
- LED modules comply with IESNA LM-79 and LM-80 standards
- NEMA 4X, IP65, IP66 and IP67 rated (see installation instructions for requirements)
- IP69 rated with wide or parking garage distributions
- NSF International certified for NSF/ANSI Standard 2 – Food Equipment
- DesignLights Consortium® Qualified and classified for both DLC Standard and DLC Premium (refer to [www.designlights.org](#) for details)
- Acrylic lenses are IK07 Rated, and optional Polycarbonate lenses are IK10 Rated

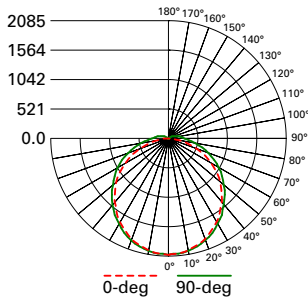
Control Solutions

- WaveLinX LITE wireless
- WaveLinX PRO wireless
- WaveLinX CAT wired
- WaveLinX Wired

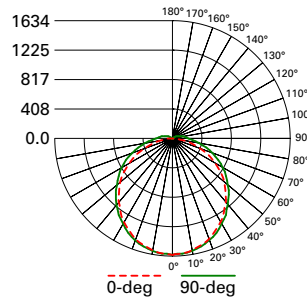


Photometric Data

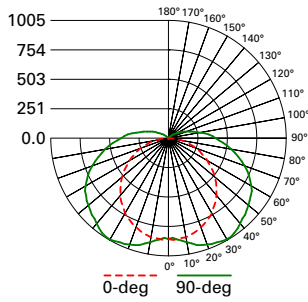
[View IES files](#)



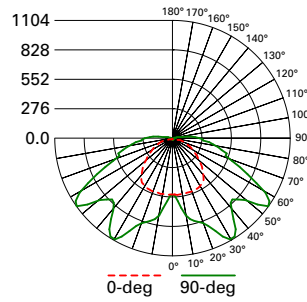
4VT3-SL3C3-G-UNV HIGH 4000K
 Electronic Driver
 Linear LED 4000K
 Spacing criterion: (II) 1.24 x mounting height, (L) 1.28 x mounting height
 Lumens: 6580
 Input Watts: 50.2W
 Efficacy: 131 lm/W
 Test Report:
 4VT3-SL3C3-G-UNV-HIGH-4000K.IES



4VT3-SL3C3-G-UNV MED 4000K
 Electronic Driver
 Linear LED 4000K
 Spacing criterion: (II) 1.24 x mounting height, (L) 1.28 x mounting height
 Lumens: 5156
 Input Watts: 37.6W
 Efficacy: 137 lm/W
 Test Report:
 4VT3-SL3C3-G-UNV-MID-4000K.IES



4VT3-SL3C3-W-UNV MED 4000K
 Electronic Driver
 Linear LED 4000K
 Spacing criterion: (II) 1.28 x mounting height, (L) 1.68 x mounting height
 Lumens: 4421
 Input Watts: 29.2W
 Efficacy: 151 lm/W
 Test Report:
 4VT3-SL3C3-W-UNV-MID-4000K.IES



4VT3-SL3C3-P-UNV LOW 4000K
 Electronic Driver
 Linear LED 4000K
 Spacing criterion: (II) 1.46 x mounting height, (L) 2.18 x mounting height
 Lumens: 4024
 Input Watts: 29.2W
 Efficacy: 138 lm/W
 Test Report:
 4VT3-SL3C3-P-UNV-LOW-4000K.IES



Energy and Performance Data by Catalog Number

Size	Catalog Number	Lumen Setting	CCT	CRI (Min)	Delivered Nominal Lumens	Watts	Efficacy (lm/W)
4FT	4VT3-SL3C3-G-UNV	Low	3000K	80	3828	29.3	131
			3500K	80	4055	28.5	142
			4000K	80	4107	29.2	141
		Medium	3000K	80	4796	37.6	128
			3500K	80	5129	36.5	141
			4000K	80	5156	37.6	137
		High	3000K	80	6126	50.1	122
			3500K	80	6622	48.3	137
			4000K	80	6580	50.2	131

Lumen Maintenance

Ambient Temperature	TM-21 Lumen Maintenance (60,000 hours)	Theoretical L70 (Hours)
25°C	> 89%	> 185,000

4ft. Lumen Package	Ambient Rating
4VT3-SL3C3	50°C

Shipping Data

Catalog No.	Wt.
4VT3-S	12 lbs.

Shielding

Lens Type	Lumen Factor
G	1.00
P, PPC	0.98
W, WPC	1.08

IK Rating

VT3S	IK Rating
Lens	IK07
Housing	IK07
PC Lens	IK10
PPC Lens	IK10