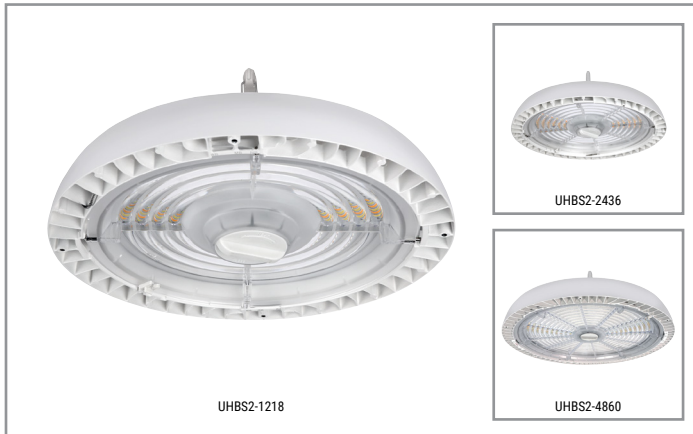


Project		Catalog #		Type	
Prepared by		Notes		Date	



Metalux

UHBS2 Selectable High Bay

LED Round High Bay with Selectable CCT and Lumen

Typical Applications

Industrial • Commercial • Retail • Manufacturing • Warehouse • Gymnasium ⁽¹⁾
 • Multi-purpose • Grocery • High Bay / Low Bay Applications

Note: (1) Rigid Stem mount not recommended for use in gymnasiums.

Interactive Menu

- Energy and Performance Data [page 2](#)
- Accessories [page 4](#)
- Photometric Data [page 5](#)
- Sensor Coverage [page 6](#)
- Product Warranty

Product Certification



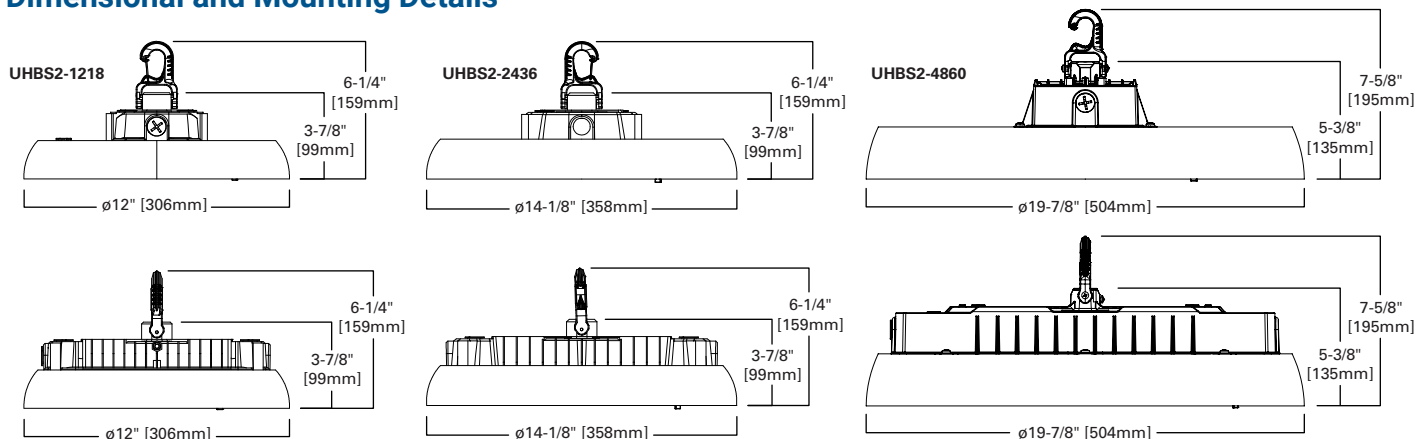
Product Features



Top Product Features

- Selectable Lumen/Power performance up to 60,000 lumen
- 5 Color Selectable CCT - 3000/3500/4000/5000/6500K
- Field selectable distribution - Narrow, Medium, or Wide
- Sensor ready port for quick plug and play install
- Durable IK10 12", 14" and 20" round die cast aluminum housing
- 120-347V or 277-480V operating range with 6kV surge protection
- NEMA 4X, IP65 and NSF rated
- IP65 rated lens and driver enclosure
- 10ft power and dimming cords for easy installation

Dimensional and Mounting Details



Energy and Performance Data

Default CCT / Lumen / Distribution Setting: 4000K / High Power / Wide

Catalog#	UPC	Voltage	Lumen Setting	Nominal CCT	Nominal Lumens			Wattage (120V)	Efficacy (lm/W)		
					Narrow	Medium	Wide		Narrow	Medium	Wide
UHBS2-1218-MV-L8C5-U	080083301836	120-347V	Low	3000K	11304	11445	12267	80.2	140.9	142.7	153.0
				3500K	11583	11728	12571	79.4	145.9	147.7	158.3
				4000K	11761	11908	12764	78.6	149.6	151.5	162.4
				5000K	11868	12016	12880	79	150.2	152.1	163.0
				6500K	11809	11956	12816	80.4	146.9	148.7	159.4
			Medium	3000K	13629	13799	14791	98.9	137.8	139.5	149.6
				3500K	13986	14160	15178	97.6	143.3	145.1	155.5
				4000K	14280	14459	15498	96.5	148.0	149.8	160.6
				5000K	14265	14443	15481	96.6	147.7	149.5	160.3
				6500K	14092	14268	15293	98.7	142.8	144.6	154.9
			High	3000K	16256	16459	17642	122	133.2	134.9	144.6
				3500K	16800	17009	18232	120.5	139.4	141.2	151.3
				4000K	17145	17359	18607	119.1	144.0	145.8	156.2
				5000K	17296	17511	18770	119.2	145.1	146.9	157.5
				6500K	17002	17214	18451	122.1	139.2	141.0	151.1
UHBS2-2436-MV-L8C5-U	080083301843	120-347V	Low	3000K	23839	24137	25872	156	152.8	154.7	165.8
				3500K	24695	25003	26801	154.4	159.9	161.9	173.6
				4000K	25223	25538	27374	152.8	165.1	167.1	179.1
				5000K	25575	25895	27756	153.7	166.4	168.5	180.6
				6500K	25324	25640	27483	154.2	164.2	166.3	178.2
			Medium	3000K	29445	29813	31956	194.6	151.3	153.2	164.2
				3500K	30244	30621	32823	192.4	157.2	159.2	170.6
				4000K	30998	31385	33641	190	163.1	165.2	177.1
				5000K	30989	31376	33632	191	162.2	164.3	176.1
				6500K	30334	30713	32921	195	155.6	157.5	168.8
			High	3000K	34846	35281	37818	239.4	145.6	147.4	158.0
				3500K	35898	36346	38959	235.5	152.4	154.3	165.4
				4000K	36613	37070	39735	232.1	157.7	159.7	171.2
				5000K	36861	37321	40005	233.5	157.9	159.8	171.3
				6500K	36207	36659	39295	239.1	151.4	153.3	164.3
UHBS2-4860-MV-L8C5-U	080083301850	120-347V	Low	3000K	45254	46252	48002	317.7	142.4	145.6	151.1
				3500K	46918	47952	49767	312.7	150.0	153.3	159.2
				4000K	48093	49153	51014	308.9	155.7	159.1	165.1
				5000K	48590	49661	51541	310.6	156.4	159.9	165.9
				6500K	47645	48696	50539	316.5	150.5	153.9	159.7
			Medium	3000K	49744	50841	52765	356.0	139.7	142.8	148.2
				3500K	51573	52710	54705	350.5	147.1	150.4	156.1
				4000K	52865	54031	56076	346.2	152.7	156.1	162.0
				5000K	53411	54589	56655	348.1	153.4	156.8	162.8
				6500K	52373	53528	55554	354.7	147.7	150.9	156.6
			High	3000K	53388	54565	56630	387.9	137.6	140.7	146.0
				3500K	55350	56571	58712	381.8	145.0	148.2	153.8
				4000K	56737	57988	60183	377.2	150.4	153.7	159.6
				5000K	57323	58587	60805	379.2	151.2	154.5	160.4
				6500K	56209	57448	59623	386.5	145.4	148.6	154.3

Energy and Performance Data

Default CCT / Lumen / Distribution Setting: 4000K / High Power / Wide

Catalog#	UPC	Voltage	Lumen Setting	Nominal CCT	Nominal Lumens			Wattage (480V)	Efficacy (lm/W)		
					Narrow	Medium	Wide		Narrow	Medium	Wide
UHBS2-1218-MVX-L8C5-U	080083471560	277-480V	Low	3000K	12158	12642	13277	83.1	146.3	152.1	159.8
				3500K	12537	12968	13637	82.1	152.7	158	166.1
				4000K	12682	13153	13858	81.4	155.8	161.6	170.2
				5000K	12753	13225	13934	81.8	155.9	161.7	170.3
				6500K	12593	13046	13760	83.4	151	156.4	165
			Medium	3000K	15020	15611	16397	105.7	142.1	147.7	155.1
				3500K	15489	16030	16915	104.3	148.5	153.7	162.2
				4000K	15743	16312	17193	103.3	152.4	157.9	166.4
				5000K	15818	16422	17236	104	152.1	157.9	165.7
				6500K	15431	16090	16874	106.2	145.3	151.5	158.9
			High	3000K	16791	17360	18259	121.5	138.2	142.9	150.3
				3500K	17357	17973	18814	119.7	145	150.2	157.2
				4000K	17724	18321	19222	118.4	149.7	154.7	162.3
				5000K	17811	18409	19277	119.3	149.3	154.3	161.6
				6500K	17338	17963	18812	122.1	142	147.1	154.1
UHBS2-2436-MVX-L8C5-U	080083471577	277-480V	Low	3000K	24055	25514	25936	159.5	150.8	160	162.6
				3500K	24802	25955	26740	157.4	157.6	164.9	169.9
				4000K	25257	26042	27226	156	161.9	166.9	174.5
				5000K	25431	26199	27455	156.7	162.3	167.2	175.2
				6500K	25085	25866	27139	159.5	157.3	162.2	170.2
			Medium	3000K	29031	30560	31323	198.8	146	153.7	157.6
				3500K	30012	31284	32375	195.8	153.3	159.8	165.3
				4000K	30584	31816	32999	193.7	157.9	164.3	170.4
				5000K	30675	31982	33162	194.5	157.7	164.4	170.5
				6500K	29886	31379	32415	198.5	150.6	158.1	163.3
			High	3000K	34869	35140	37438	242.2	144	145.1	154.6
				3500K	35144	36550	38054	237	148.3	154.2	160.6
				4000K	35997	37389	38813	234.1	153.8	159.7	165.8
				5000K	35980	37555	39017	235.2	153	159.7	165.9
				6500K	34992	36750	38048	240.8	145.3	152.6	158
UHBS2-4860-MVX-L8C5-U	080083471584	277-480V	Low	3000K	45570	46041	47740	310	147	148.5	154
				3500K	47124	47424	49086	306	154	155	160.4
				4000K	48177	48160	50100	303	159	158.9	165.3
				5000K	48495	48783	50904	305	159	159.9	166.9
				6500K	48048	48360	50367	312	154	155	161.4
			Medium	3000K	50460	50662	52592	348	145	145.6	151.1
				3500K	51984	52514	54560	342	152	153.5	159.5
				4000K	52572	53088	55605	337	156	157.5	165
				5000K	53380	53720	55935	340	157	158	164.5
				6500K	52548	54405	55173	348	151	156.3	158.5
			High	3000K	54981	56396	57771	393	139.9	143.5	147
				3500K	57315	58050	60216	387	148.1	150	155.6
				4000K	58786	59210	61341	380	154.7	155.8	161.4
				5000K	58982	60216	62208	384	153.6	156.8	162
				6500K	58026	59550	61225	395	146.9	150.8	155

Energy and Performance Data

Lumen Maintenance

Ambient Temperature	TM-21 Lumen Maintenance (60,000 hours)	Theoretical L70 (hours)
25°C	> 91%	> 218,000

IK Rating

UHBS	IK Rating
Lens	IK10
Housing	IK10

Energy Data

Input Watts (Nominal)
UHBS2-1218 = 80/100/120W
UHBS2-2436 = 150/200/240W
UHBS2-4860 = 320/360/390W

Ambient Ratings

Lumen Package	Ambient Rating
UHBS2	50C

Operating Temp.	-40 to 50C
------------------------	------------

Shipping Data

Catalog No.	Wt.
UHBS2-1218	8 lbs.
UHBS2-2436	11.3 lbs.
UHBS2-4860	18.4 lbs.

Factory Installed Options

Wiring
PC10/120=10ft Cord with NEMA L5-15P Plug ⁽¹⁾
PC10/277=10ft Cord with NEMA L7-15P Plug ⁽¹⁾
PC10/347=10ft Cord with NEMA L24-20P Plug ⁽¹⁾
PC10/480=10ft Cord with NEMA L8-20P Plug ⁽¹⁾

Note: (1) Low voltage leads ran separate from line voltage.

WaveLinX Sensors
WPS4=WaveLinX PRO Wireless Sensor, Sidecar mount, with 1200 sq ft. coverage ⁽³⁾
WLS4-HB2=WaveLinX LITE Wireless Integrated Sensor, Factory Installed

Note: (3) Sidecar sensors requires fixture to be rigid mounted.

MWS
MW12DS16/2G11=MWS Drop SO Cord, 120V, 16GA, 2 conductor + ground, 11' length ⁽²⁾
MW27DS16/2G11=MWS Drop SO Cord, 277V, 16GA, 2 conductor + ground, 11' length ⁽²⁾
MW34DS16/2G11=MWS Drop SO Cord, 347V, 16GA, 2 conductor + ground, 11' length ⁽²⁾
MW48DS16/2G11=MWS Drop SO Cord, 480V, 16GA, 2 conductor + ground, 11' length ⁽²⁾
MW12DC12/2G11=MWS Drop Cable, 120V, 12GA, 2 conductor + ground, 11' length ⁽²⁾
MW27DC12/2G11=MWS Drop Cable, 277V, 12GA, 2 conductor + ground, 11' length ⁽²⁾
MW34DC12/2G11=MWS Drop Cable, 347V, 12GA, 2 conductor + ground, 11' length ⁽²⁾
MW48DC12/2G11=MWS Drop Cable, 480V, 12GA, 2 conductor + ground, 11' length ⁽²⁾
MW12DS16/2G11-010V-U=MWS Drop SO Cord, 120V, 16GA, 2 conductor + ground + LV, 11' length
MW27DS16/2G11-010V-U=MWS Drop SO Cord, 277V, 16GA, 2 conductor + ground + LV, 11' length
MW34DS16/2G11-010V-U=MWS Drop SO Cord, 347V, 16GA, 2 conductor + ground + LV, 11' length
MW48DS16/2G11-010V-U=MWS Drop SO Cord, 480V, 16GA, 2 conductor + ground + LV, 11' length
MW27DC12/2G11-010V-U=MWS Drop Cable, 277V, 12GA, 2 conductor + ground + LV, 11' length
MW34DC12/2G11-010V-U=MWS Drop Cable, 347V, 12GA, 2 conductor + ground + LV, 11' length
MW48DC12/2G11-010V-U=MWS Drop Cable, 480V, 12GA, 2 conductor + ground+ LV, 11' length

Note: (2) Low voltage leads not included in MWS cable.

Product Specifications

Construction

- Diecast aluminum housing and heatsink for durability
- Polycarbonate lens seals LED for IP65 rating
- Impact protection rating IK10 Lens and IK10 Housing

Electrical

- Long-life LED system with electronic driver for optimal performance
- Selectable power switch for 3 levels of lumen output per model
- Selectable color switch provides 3000, 3500, 4000, 5000, and 6500K CCT at CRI >82
- Multi-volt 120-347V or 277-480V operation
- 0-10V dimming, 10% standard
- 10ft (86") long power and dimming cords provided for easier installation
- Integral 6kV surge protection level per ANSI C82.77-5-2015
- Operating temperature of -40°C to 50°C
- Default CCT/Lumen setting is 4000K and High Power

Optics

- Field adjustable distribution provides Narrow, Medium, or Wide distribution
- Default distribution is set at Wide distribution
- Accessory Refractors are not rated for high impact applications

Mounting

- EasyMount allows for either hook or pipe (stem) installations
- EasyMount hook can flip up for fast retrofit installs. Safety latch included
- Standard 3/4" NPS thread included for pendant/ stem mount
- 3/4" threaded pipe, hook or ring provided by others
- Accessory Refractors are not rated for high impact applications

Compliance

- cULus listed for wet location
- NEMA 4X, IP65 rated
- NSF/ANSI standard 2 - Light fixture for Splash Zone and Non-Food Zone rated luminaire models.
- IESNA LM-79 and LM-80 standards compliant
- Qualifies as State of California Title 24 non-residential high efficiency luminaire
- FCC part 15 class A compliant
- DesignLights Consortium® Qualified and classified for DLC Premium, refer to www.designlights.org for details.

Sensor

- Plug and play low-voltage sensor accessory available
- Sensor installs directly to integral fixture port
- PIR motion sensor with 0-10V control
- Wet location and IP65 rated
- Up to 50ft mounting height
- Sensor remote control must be ordered separately
- Available in stock, WaveLinX LITE wireless sensor with T-connection using SP1 port. Order as accessory for in-field installation.

Emergency Pack Option

- 120-347V universal input remote emergency driver accessory available
- Field installed EM driver wires directly to fixture
- 90-minute batteries provide constant power to the LED system
- Test switch/indicator button can be tested safely from the ground using remote control
- EM remote control included with accessory
- Accessory comes with grommets and mounting hardware, see EM driver spec sheet.

Finish

- White polyester powder coat finish painted after fabrication

Warranty

- Five year limited warranty

Accessories List

Catalog Number	Description	Unit Carton UPC
WLS4-HB2 ⁽²⁾	WaveLinX LITE Wireless Sensor, Audio Jack, 3400 sqft coverage at 40FT MH Accessory Kit	080083446315
HBS1 ⁽²⁾	PIR Sensor 360 Lens 60FT MH Kit	080083471171
HBS SENSOR REMOTE	HBS Sensor Remote Control	080083471188
UHBS-SMB	UHBS Surf Mnt Brkt for 12"/14" Model	080083273263
UHBS-SMB20	UHBS Surf Mnt Brkt for 20" Model	080083312023
UHBS-WG13 ^{(1),(3),(5)}	UHBS Wire Guard for UHBS2-2436	080083273348
EBP-RM40R ⁽²⁾	40W Emergency Driver, Remote Mount 120-347V White w/ remote included	080083259496
UHBS-ALR13 ^{(3),(5)}	UHBS Aluminum Reflector for UHBS2-2436	080083273324
UHBS2-ADR13-U	Adapter Ring used for attaching WG13 or ALR13 to the UHBS2-1218 luminaire only	080083310715
UHBS-SC7 ⁽⁴⁾	UHBS Safety Cable 7FT long with Clip	080083259854

Notes: (1) Installs directly to fixture and cannot be used in conjunction with refractors. (2) To meet state and local codes, EBP cannot be used with UHBS with sensor or with UHBS sensor accessory. (3) Adapter ring required to attach UHBS-ALR13 and UHBS-WG13 to the UHBS2-1218 luminaire. Must order Adapter ring to fit UHBS2-1218 model. (4) The Safety Cable accessory shall be utilized only as a secondary safety and not the primary means of mounting. (5) Not compatible with UHBS2-4860.



WLS4-HB2 ⁽²⁾
Plug-in WaveLinX Lite Wireless Sensor



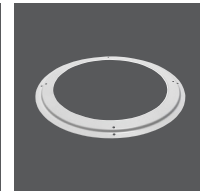
EBP-RM40R ⁽²⁾
Field installed Remote EM



SENSOR ⁽²⁾
Plug in sensor



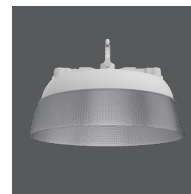
UHBS-WG13
Wireguard



UHBS2-ADR13-U
Adapter Ring



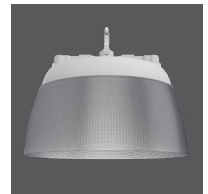
UHBS-ALR13
Aluminum Reflector



UHBS2-CLR3-XX
Clear Shallow Refractor



UHBS2-FRR3-XX
Frosted Shallow Refractor



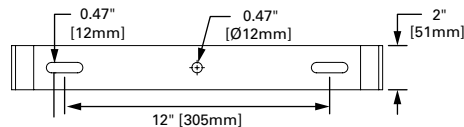
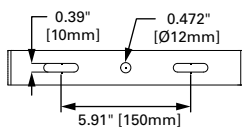
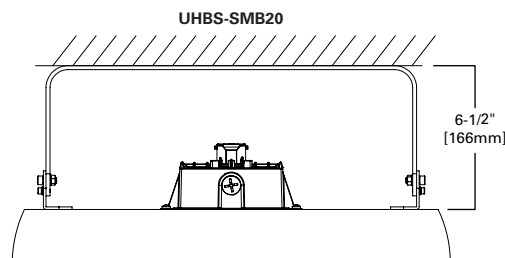
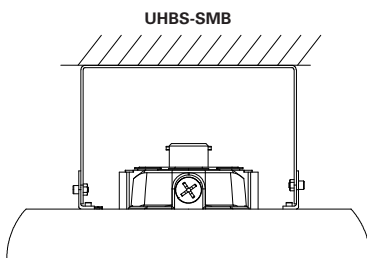
UHBS2-CLR6-XX
Clear Deep Refractor



UHBS2-FRR6-XX
Frosted Deep Refractor

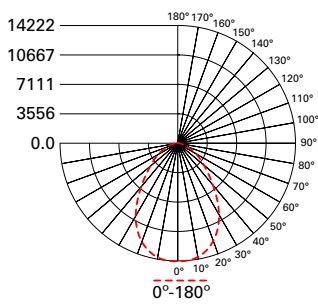
Refractors

Catalog Number	Description	Unit Carton UPC
UHBS2-CLR3-12	Clear 3 inch deep refractor for 1218 lumen fixture	080083396771
UHBS2-CLR3-14	Clear 3 inch deep refractor for 2436 lumen fixture	080083396788
UHBS2-CLR6-12	Clear 6 inch deep refractor for 1218 lumen fixture	080083396795
UHBS2-CLR6-14	Clear 6 inch deep refractor for 2436 lumen fixture	080083396801
UHBS2-FRR3-12	Frosted 3 inch deep refractor for 1218 lumen fixture	080083396818
UHBS2-FRR3-14	Frosted 3 inch deep refractor for 2436 lumen fixture	080083396825
UHBS2-FRR6-12	Frosted 6 inch deep refractor for 1218 lumen fixture	080083396832
UHBS2-FRR6-14	Frosted 6 inch deep refractor for 2436 lumen fixture	080083396849
UHBS2-CLR3-20	Clear 3 inch deep refractor for 4860 lumen fixture	080083457267
UHBS2-CLR6-20	Clear 6 inch deep refractor for 4860 lumen fixture	080083457274
UHBS2-FRR3-20	Frosted 3 inch deep refractor for 4860 lumen fixture	080083457281
UHBS2-FRR6-20	Frosted 6 inch deep refractor for 4860 lumen fixture	080083457298

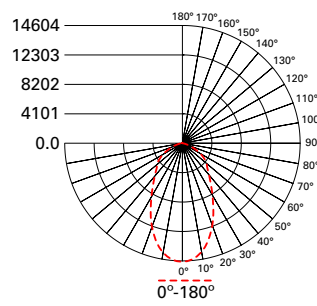


Photometric Data

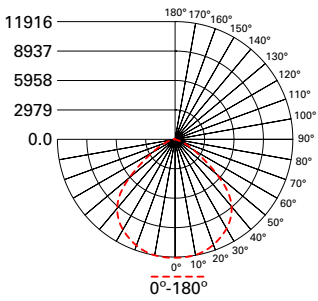
[View IES files](#)



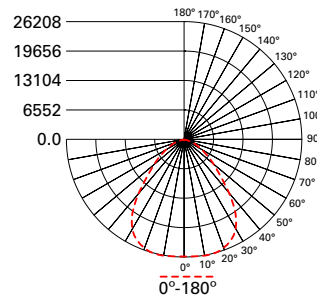
UHBS2-2436-M-L83065-LOW-4000K
 Electronic Driver
 Round Select LED 4000K
 Spacing criterion: (II) 1.08 x mounting height, (⊥) 1.08 x mounting height
 Lumens: 25119
 Input Watts: 152.8W
 Efficacy: 164.4 LPW
 Test Report: UHBS2-2436-M-L83065-LOW-4000K.IES



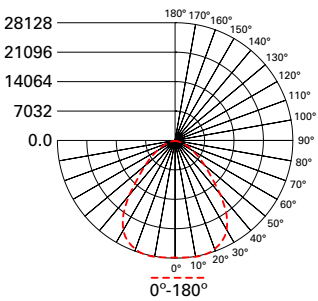
UHBS2-2436-N-L83065-LOW-4000K
 Electronic Driver
 Round Select LED 4000K
 Spacing criterion: (II) 0.88 x mounting height, (⊥) 0.88 x mounting height
 Lumens: 24809
 Input Watts: 152.8W
 Efficacy: 162.4 LPW
 Test Report: UHBS2-2436-N-L83065-LOW-4000K.IES



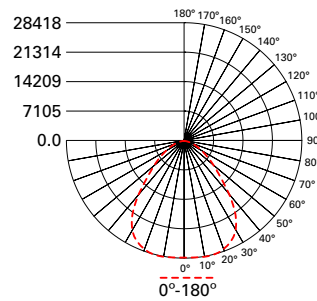
UHBS2-2436-W-L83065-LOW-4000K
 Electronic Driver
 Round Select LED 4000K
 Spacing criterion: (II) 1.3 x mounting height, (⊥) 1.3 x mounting height
 Lumens: 26925
 Input Watts: 152.8W
 Efficacy: 176.2 LPW
 Test Report: UHBS2-2436-W-L83065-LOW-4000K.IES



UHBS-4860-L8C5-MID-M-4000K
 Electronic Driver
 Round Select LED 4000K
 Spacing criterion: (II) 1.27 x mounting height, (⊥) 1.27 x mounting height
 Lumens: 54031
 Input Watts: 346.2W
 Efficacy: 156.1 LPW
 Test Report: UHBS-4860-L8C5-MID-M-4000K.IES



UHBS-4860-L8C5-HI-M-4000K
 Electronic Driver
 Round Select LED 4000K
 Spacing criterion: (II) 1.27 x mounting height, (⊥) 1.27 x mounting height
 Lumens: 57988
 Input Watts: 377W
 Efficacy: 153.7 LPW
 Test Report: UHBS-4860-L8C5-HI-M-4000K.IES



UHBS-4860-L8C5-HI-M-5000K
 Electronic Driver
 Round Select LED 4000K
 Spacing criterion: (II) 1.27 x mounting height, (⊥) 1.27 x mounting height
 Lumens: 58587
 Input Watts: 379.2W
 Efficacy: 154.5 LPW
 Test Report: UHBS-4860-L8C5-HI-M-5000K.IES

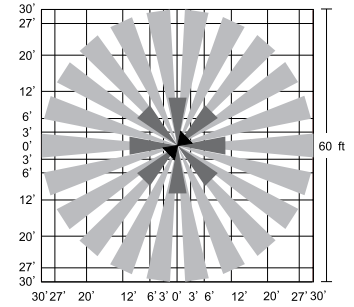
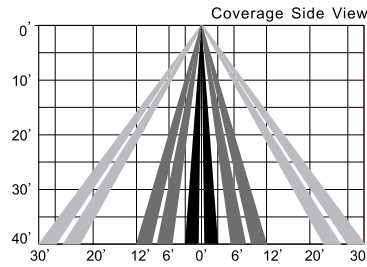
Sensor Coverage UHBS-Sensor

Sensor Specifications

Power supply	12V-24V DC, >30mA
Dim control output	0-10V, max. 25mA sinking current
Remote range	50ft. (15m) indoor, no backlight
Dim control output	0-10V
Detection radius	20% / 50% / 75% / 100% (1-8m)
Mounting height	Up to 50ft (15.25 m)
Time setting	10s / 1 min / 5 min / 10 min / 15 min / 20 min / 30 min / 60 min
Light-control	24H / 10 LUX / 30 LUX / 50 LUX
Sensor Operating Temp.	-40°F ~+ 158°F (-40°C ~+ 70°C)
IP rating	IP65

Notes: Warm up time 40 sec after sensor first receives input power. Fixture will stay on 40 seconds then work move to default mode.

Any setting changed by sensor remote control (order remote separately), will led lights on remote to turn on and off to confirm. See sensor instruction sheet on UHBS product page found on www.cooperlighting.com



Sensor Modes

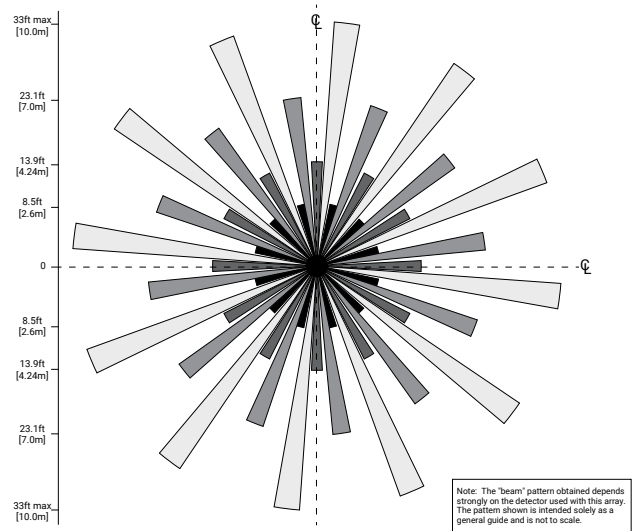
	Brightness	Sensitivity	Hold Time	Daylight Sensor	Stand-by Dim	Stand-by Period
MODE 1 (Default)	100%	75%	5 min	Disabled	30%	30 min
MODE 2	100%	75%	1 min	Disabled	30%	∞
MODE 3	100%	75%	5 min	30LUX	30%	30 min
MODE 4	100%	75%	1 min	(30LUX/300LUX)	30%	∞

Sensor Coverage WLS4-HB2

Sensor Specifications

Power supply	12V-24V DC
Dim control output	0-10V, 4mA
Wireless Range	2.4GHz, Bluetooth 4.2, Sensor to sensor; 100ft (30m) LOS (best practice)
Control System	Software configurable settings with WaveLinX LITE mobile application
Detection radius	Up to 3400 sqft
Mounting height	Up to 40ft (12 m)
Time setting (Unoccupied-default)	100%, 50% / 10min, OFF / 20min
Light-control	Daylighting (default - OFF)
Sensor Operating Temp.	-22F to 130F (-30C to 55C)
IP rating	IP65

TOP VIEW:



SIDE VIEW:

