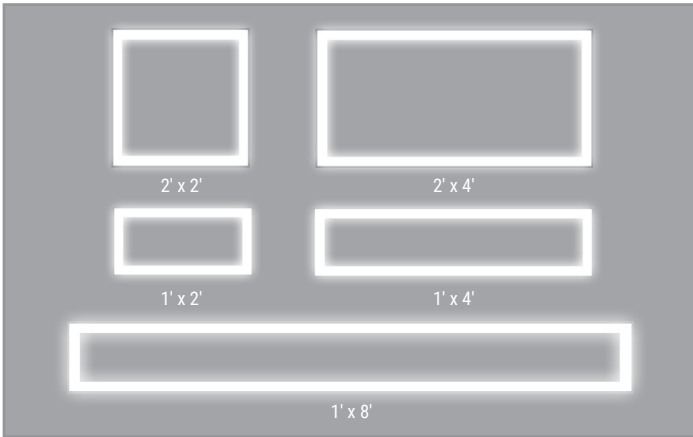


Project		Catalog #		Type	
Prepared by		Notes		Date	



Metalux

Surround

1x2 / 1x4 / 2x2 / 2x4 / 1x8
Selectable Drop Lens LED

Typical Applications

- Commercial Office Spaces • Schools • Healthcare • Retail Merchandising Areas

Product Certification



Product Features



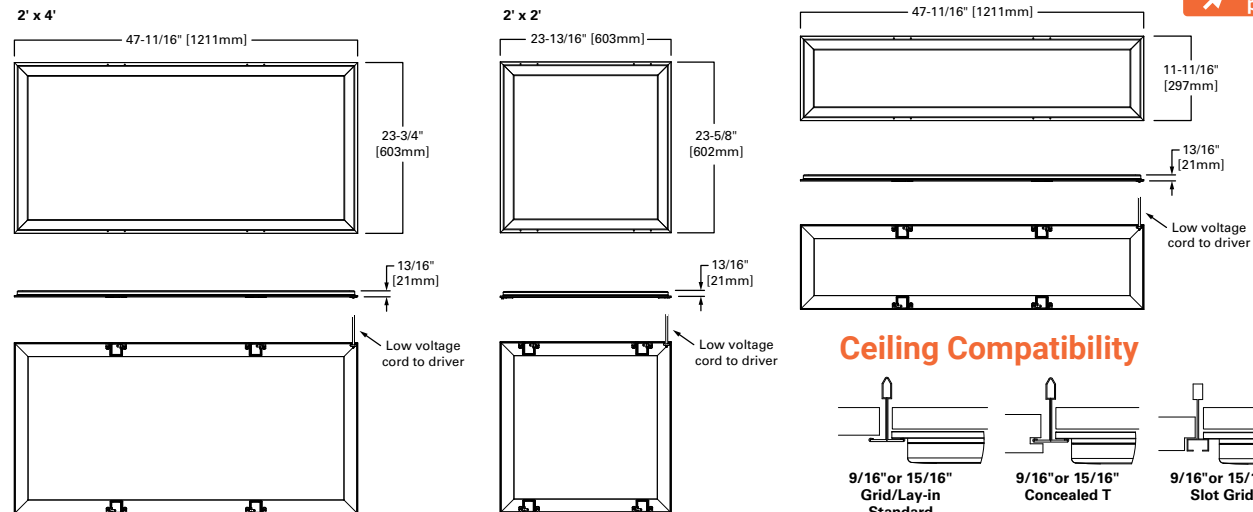
Interactive Menu

- Order Information and Performance Data [page 2](#)
- Product Specifications [page 3](#)
- Photometric Data [page 4](#)
- Product Warranty

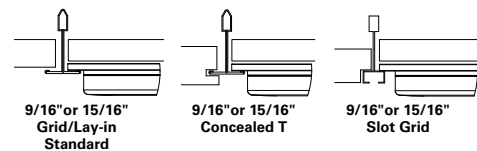
Top Product Features

- Wire routing enables ACT tile install with no cutting required
- Available in 1' x 2', 1' x 4', 2' x 2', 2' x 4' and 1' x 8'
- Versatile mounting: allows for mounting in existing T-grid or suspension with additional kit
- Selectable lumen output: 1,500-8,500
- 4 selectable CCT in 80 CRI: 3000K, 3500K, 4000K, 5000K
- One piece luminaire with no assembly required. Simply wire to driver and plug in the low-voltage cable.
- Selectable switches are located outside the junction box, for quick adjustment before and after installation
- Standard 0-10V continuous dimming to 5%
- Visually comforting 1.5" wide lens with inner prisms to reduce glare and deliver options as low as 16.3 UGR

Dimensional and Mounting Details



Ceiling Compatibility



Order Information and Performance Data

Default CCT/Lumen Setting: 4000K / Med Power

Size	Catalog	Lumen Setting	CCT	CRI (Min)	Delivered Nominal Lumens	Watts	Efficacy (lm/W)
1x2	12SFS-L3C4-UNV	Low	3000K	80	1528	12	131
			3500K	80	1539	12	133
			4000K	80	1555	12	134
			5000K	80	1572	12	136
		Medium	3000K	80	2533	20	130
			3500K	80	2552	20	131
			4000K	80	2578	20	133
			5000K	80	2616	20	135
		High	3000K	80	3510	28	127
			3500K	80	3516	28	128
			4000K	80	3550	28	129
			5000K	80	3611	28	131
1x4	14SFS-L3C4-UNV	Low	3000K	80	1915	15	130
			3500K	80	1934	15	132
			4000K	80	1930	15	134
			5000K	80	1975	15	136
		Medium	3000K	80	3171	25	129
			3500K	80	3199	25	130
			4000K	80	3237	25	133
			5000K	80	3294	25	134
		High	3000K	80	4447	36	126
			3500K	80	4517	36	128
			4000K	80	4583	36	129
			5000K	80	4641	36	132
1x8	18SFS-L3C4-UNV	Low	3000K	80	4460	31	145
			3500K	80	4504	31	146
			4000K	80	4549	31	147
			5000K	80	4584	31	149
		Medium	3000K	80	6373	45	143
			3500K	80	6443	45	145
			4000K	80	6514	45	146
			5000K	80	6565	45	147
		High	3000K	80	8399	60	141
			3500K	80	8436	60	142
			4000K	80	8536	60	143
			5000K	80	8547	60	145

Size	Catalog	Lumen Setting	CCT	CRI (Min)	Delivered Nominal Lumens	Watts	Efficacy (lm/W)
2x2	22SFS-L3C4-UNV	Low	3000K	80	1902	15	131
			3500K	80	1911	15	132
			4000K	80	1933	15	133
			5000K	80	1952	15	135
		Medium	3000K	80	3173	25	129
			3500K	80	3205	25	130
			4000K	80	3244	25	132
			5000K	80	3288	25	133
		High	3000K	80	4445	36	125
			3500K	80	4482	36	126
			4000K	80	4552	36	128
			5000K	80	4626	36	131
2x4	24SFS-L3C4-UNV	Low	3000K	80	2986	23	130
			3500K	80	3011	23	132
			4000K	80	3045	23	133
			5000K	80	3074	23	135
		Medium	3000K	80	4422	35	129
			3500K	80	4472	35	130
			4000K	80	4512	35	132
			5000K	80	4571	35	134
		High	3000K	80	5847	47	126
			3500K	80	5924	47	127
			4000K	80	6007	47	129
			5000K	80	6131	47	131

Surround Accessories (Order as a separate line item)

Catalog	Description	UPC	Notes
EBPLED7W	7W EM Pack	080083289844	Field Installed
EBPLED14W	14W EM Pack	080083289868	Field Installed
WTA	WaveLinX PRO Wireless Tilemount Kits	080083174492	Field Installed
WTK	WaveLinX LITE Wireless Tilemount Kits	080083293261	Field Installed
FPSUS24	2-point Y-hanger suspension kit includes aircraft cable, carabiner, ceiling connection, SO cord, cord connectors, round 4" J-box cover plate. Mounting height from ceiling: Min. =7-1/4" [184mm] Max. =27" [286mm]	080083258895	Field Installed

*Emergency + Sensor Available (EL7W/EL14W + WTA/WTK)

Product Hanging Weight Data

Catalog	Size	UGR		
		High Lumen	Med Lumen	Low Lumen
12SFS-L3C4-UNV	1x2	26.8	25.7	23.9
14SFS-L3C4-UNV	1x4	21.7	20.5	18.8
18SFS-L3C4-UNV	1x8	21.2	20.3	19
22SFS-L3C4-UNV	2x2	19.3	18.1	16.3
24SFS-L3C4-UNV	2x4	20.5	19.6	18.2

Catalog	Size	Weight (lb.)
12SFS-L3C4-UNV	1x2	1.5
14SFS-L3C4-UNV	1x4	2.6
18SFS-L3C4-UNV	1x8	5.1
22SFS-L3C4-UNV	2x2	2.1
24SFS-L3C4-UNV	2x4	3.2

All product weights in this table do not include the weight of the remote driver. This data is displaying suspension hanging weights only.

Product Specifications

Construction

- One piece, out of the box, construction with no assembly required
- Lightweight aluminum frame provides rigidity in lay-in or suspension mounting
- Remote steel driver enclosure with integrated T-grid clip for easy mounting
- Standard polycarbonate lens with seamless miter corner
- Four auxiliary fixture end suspension points provided
- Total fixture height is less than 1 inch - ideal for shallow plenum applications
- Driver is 3.5 x 7.5 x 1.5 inches and snaps onto the grid with a 3 foot cord to enable easy installation in constrained spaces

Optical Shielding

- Frosted ribbed lens with innovative inner faceting provides uniform illumination and glare as low as 16.3 UGR
- Polycarbonate lens minimizes scratches and adds impact resistance

LED and Light Engine

- LED's are ≥80 CRI with life at max output L88 @60,000 hours based on TM21 standards
- Selectable CCT with switch on the driver
 - Four options: 3000K, 3500K, 4000K, 5000K
- Lumen select switch provides three lumen package choices: High, Medium, Low

Installation

- **Lightweight!** All fixture types are less than 5.1 lbs.
- Installed on T-grid, while the remote driver is mounted above the ceiling using a pre-installed grid clip
- Complete the install by resting the original ceiling tile back on top of the luminaire
- Secure luminaire with integrated T-grid clips where desired
- Luminaire can be suspended mount using FPSUS24 accessory kits (sold separately)
- Alternate suspension options from others may be used. Maximum suspension is 6 feet from driver. See instructions for details.

Electrical

- 120-277V electronic driver, FCC part 15 Class B rating. May be used in residential and commercial spaces
- Standard 0-10V dimming to 5%
- 0-10V dimming uses low-voltage pink and purple wire leads
- Both driver box and fixture have a 3' cord length, when connected cord length is approximately 6'
- Default CCT/Lumen setting is 4000K and medium power
- Large junction box with 4 KO is suitable for wiring sensors, emergency backup and other control devices

Compliance

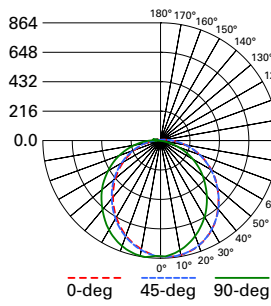
- UL/cUL listed for damp location
- Rated for -4°F (-20°C) to 104°F (40°C) ambient operating temperatures
- State of California Title 24 high efficacy non-residential luminaire
- RoHS compliant
- DesignLights Consortium Qualified, refer to www.designlights.org for details

Warranty

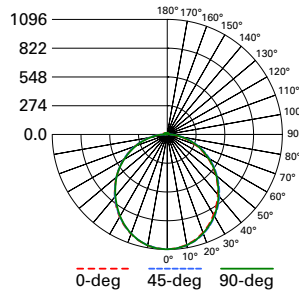
- [Five year limited warranty](#)

Photometric Data

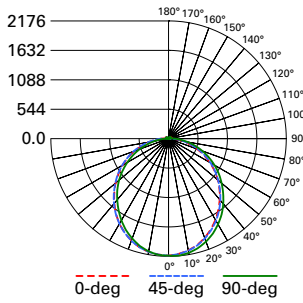
[View IES files](#)



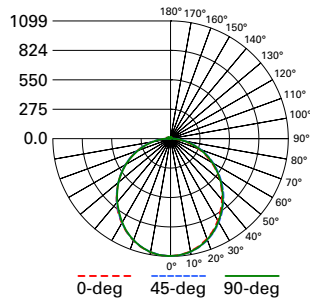
12SFS-L3C4-UNV-MED-3500K
 Electronic Driver
 LED 3500K
 Spacing criterion: (II) 1.22 x mounting height, (⊥) 1.24 x mounting height
 Lumens: 2552
 Input Watts: 20W
 Efficacy: 127.6 LPW
 Test Report: 12SFS-L3C4-UNV-MED-3500K.IES



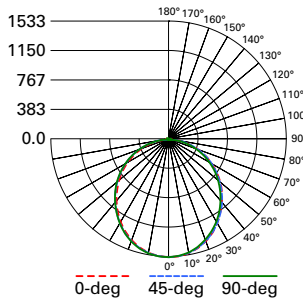
14SFS-L3C4-UNV-MED-3500K
 Electronic Driver
 LED 3500K
 Spacing criterion: (II) 1.22 x mounting height, (⊥) 1.22 x mounting height
 Lumens: 3199
 Input Watts: 25W
 Efficacy: 128 LPW
 Test Report: 14SFS-L3C4-UNV-MED-3500K.IES



18SFS-L3C4-UNV-MED-3500K
 Electronic Driver
 LED 3500K
 Spacing criterion: (II) 1.22 x mounting height, (⊥) 1.23 x mounting height
 Lumens: 6443
 Input Watts: 45W
 Efficacy: 143.2 LPW
 Test Report: 18SFS-L3C4-UNV-MED-3500K.IES



22SFS-L3C4-UNV-MED-3500K
 Electronic Driver
 LED 3500K
 Spacing criterion: (II) 1.22 x mounting height, (⊥) 1.22 x mounting height
 Lumens: 3205
 Input Watts: 25W
 Efficacy: 128.2 LPW
 Test Report: 22SFS-L3C4-UNV-MED-3500K.IES



24SFS-L3C4-UNV-MED-3500K
 Electronic Driver
 LED 3500K
 Spacing criterion: (II) 1.22 x mounting height, (⊥) 1.22 x mounting height
 Lumens: 4472
 Input Watts: 35W
 Efficacy: 127.8 LPW
 Test Report: 24SFS-L3C4-UNV-MED-3500K.IES

Dimensional and Mounting Details

