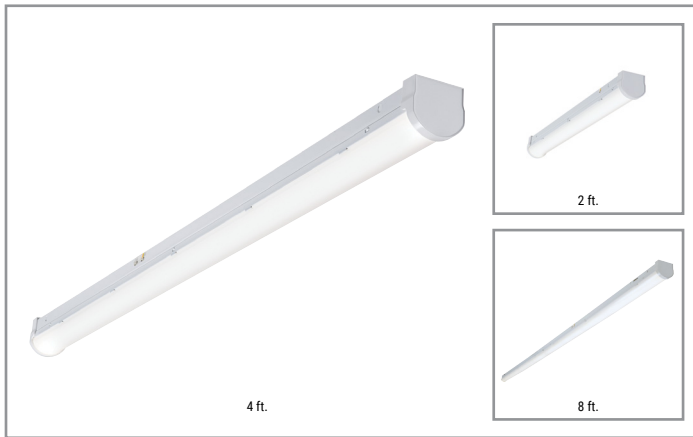


Project		Catalog #		Type	
Prepared by		Notes		Date	



# Metalux

## SLSTP Lensed LED NUV (Canada Only)

Selectable CCT and Lumen LED Striplight

### Typical Applications

Commercial • Industrial • Retail • Residential

### Interactive Menu

- Order Information [page 2](#)
- Photometric Data [page 3](#)
- Sensor Coverage [page 4](#)
- Product Warranty

### Product Certification



### Product Features

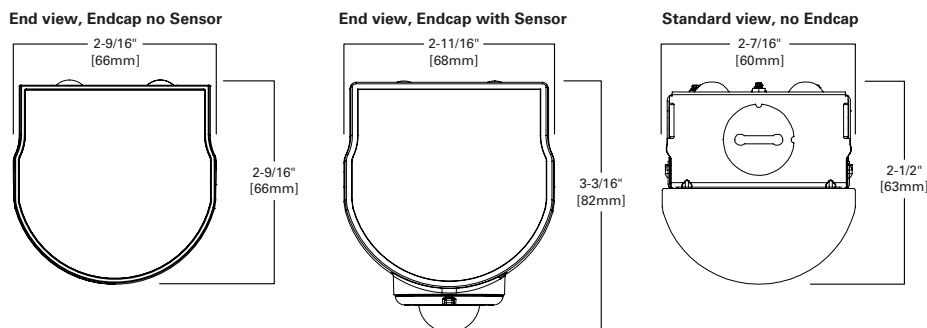


### Top Product Features

- External selectable switches provide easy, in field customization
- (3) color temperature and lumen select option provide application versatility
- Single frost lens (no breaks) provides clean, continuous lighting layout
- Up to 153 LPM
- Available in 8ft, 4ft and 2ft lengths, single and continuous mount capable
- Auto sensing 120-347V (NUV) driver with 0-10V dimming, 10% standard
- Jbox cover, decorative endcap included to complete install.



### Dimensional and Mounting Details



### J-box Cover and Endcap included



Cover for junction box is shipped standard with fixture, along with hardware to secure cover to J-box.

[additional product diagrams](#)

## Order Information and Performance Data

Default CCT/Lumen Setting: 4000K / Med Power

Catalog #	UPC	Length	CCT (K)	Delivered Lumens	Watts	Efficacy (lm/W)	Dimming	Input Current (A)		
								120V	347V	
2SLSTPSC-NUV	080083305063	2	3500	2619	22	117	0-10V Dim to 10%	0.19	0.07	
			4000	2840	21	133		0.18	0.07	
			5000	2723	22	123		0.19	0.07	
4SLSTPSLC-NUV	080083305070	4	3500	2406	18	136	0-10V Dim to 10%	0.15	0.07	
			4000	2509	17	146		0.15	0.07	
			5000	2497	18	142		0.15	0.07	
		4	3500	3942	31	128	0-10V Dim to 10%	0.26	0.10	
			4000	4172	30	141		0.25	0.09	
			5000	4082	30	134		0.26	0.10	
		4	4000	3500	5831	50	117	0-10V Dim to 10%	0.42	0.14
				4000	6293	48	133		0.40	0.13
				5000	6066	49	123		0.41	0.14
8	3500			4417	31	143	0-10V Dim to 10%	0.26	0.11	
	4000			4602	30	153		0.26	0.11	
	5000			4556	31	148		0.26	0.11	
8SLSTPSLC-NUV	080083305087	8	3500	8272	64	130	0-10V Dim to 10%	0.54	0.19	
			4000	8819	61	144		0.51	0.18	
			5000	8513	63	135		0.53	0.19	
		8	3500	10751	89	120	0-10V Dim to 10%	0.74	0.25	
			4000	11613	84	138		0.71	0.24	
			5000	11022	87	126		0.74	0.25	

### Energy Data - 120V

	2'	4'	8'
PF	0.99	0.99	0.99
THD%	< 8.5	< 9.9	< 8.1
Low Temp Start	-20°C	-20°C	-20°C

### Shipping Data

Catalog Base	Wt. (lbs)	Unit per Pallet	Case Pack Qty.
2SLSTP	2.5	180	6
4SLSTP	4.5	120	4
8SLSTP	8	100	2

## Accessories

### Mounting

**AYC-Chain/Set**=36" Hanging Chain Set w/V Hooks  
**Y-TOGGLE-10-2PK**=(2) Y-Toggle Cable Kits at 10FT long<sup>(2)</sup>  
**SCF-12-B**=12" Fixed Stem Set (specify if another length is needed)<sup>(1)</sup>

### Sensor

**SLSTP MS00 Kit**=Field installable sensor kit, PIR Sensor 100% 50% OFF<sup>(3)</sup>  
**SLSTP MS25 Kit**=Field installable sensor kit, PIR Sensor 100% 50% Low (~30%)<sup>(3)</sup>

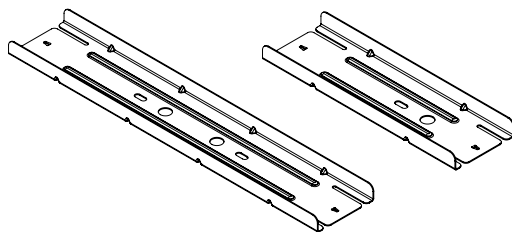
### Wireguard, Row-mount and Lens

**WG-SLSTP-4**=Wireguard 46.3", nominal 4FT  
**WG-SLSTP-2**=Wireguard 23", nominal 2FT  
**SLSTPROW88**=8ft to 8ft continuous row bracket  
**SLSTPROW842**=8ft to 4ft or 2ft continuous row bracket  
**2SLSTPLNS**=2 ft. Replacement Lens  
**8SLSTPLNS**=8 ft. Replacement Lens

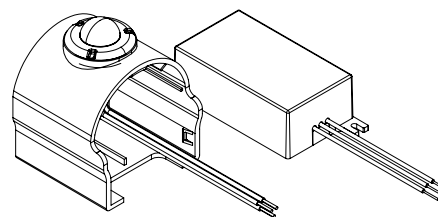
Notes: (1) For stem, order two per fixture. (2) Continuous row mount only between fixtures. (3) Sensor info and coverage on page 4.

ROW ALIGNER 8' - 8'

ROW ALIGNER 8' - 4'



SLSTP MOTION SENSOR KIT - See page 5 for sensor info and coverage area



Catalog	Unit UPC	Unit Carton Qty	Case Qty
SLSTPROW88	080083815654	1	50
SLSTPROW842	080083815661	1	100

Catalog	Unit UPC	Unit Carton Qty	Case Qty
SLSTP MS00 Kit	080083254200	1	50
SLSTP MS25 Kit	080083254224	1	100

## Product Specifications

### Construction

- Fixture channel, cover and end plates are formed from cold rolled steel
- Decorative end caps snap-on for an improved aesthetic finish
- Suitable for either single or continuous row applications

### Electrical

- Long-life LED system with an energy-efficient 120-347V (NUV) electronic driver
- Available with 0-10V dimming
- CCT Selectable option for maximum color flexibility: choose from 3500K, 4000K or 5000K
- LED and Light Engine
  - Lumen select switch provides three lumen package choices (Low, Medium and High)
  - L70 at >50,000 hours (TM-21), over 23 years at 6 hrs/day
  - CRI 83 or better
- Default CCT/Lumen setting is 4000K and Med Power

### Controls

- Maximize energy savings - combine with products like occupancy sensors, daylighting controls, and lighting relay panels
- Standard 0-10V continuous dimming driver works with any standard 0-10V control/dimmer
- Dimming range is 10% to 100% and varies by control device
- Purple and grey (pink) low voltage dimming leads required from 0-10V dimmer switch to fixture
- PIR occupancy sensors enables code compliance. Refer to accessory kit and page 5 for setting levels.
- Sensor kit can be field installed. Add up to (20) 4ft or (10) 8ft fixtures per single sensor kit. Kit is end mount only.

### Finish

- Post painted with high reflective paint – standard, for ease of handling

### Shielding

- Frost, polycarbonate lens with linear prisms for uniform light distribution

### Installation

- May be surface, suspended, or wall mounted
- Multiple 7/8" K.O. on back and one on each end
- Jbox cover, wire nuts and decorative end caps included

### Compliance

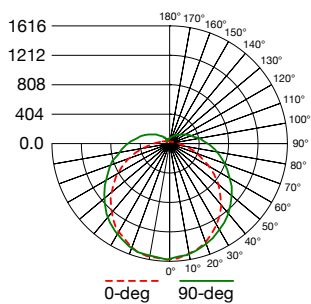
- cULus listed for damp location rated
- LED's comply with IESNA LM-79 and LM-80 standards
- RoHS compliant
- Suitable for use in closet storage spaces when installed in accordance with NFPA-70 and NEC 410.16 spacing requirements

### Warranty

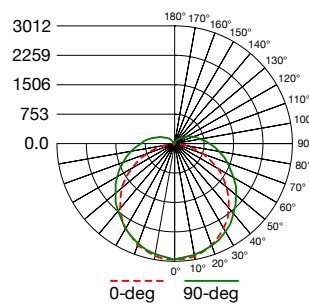
- Five year limited warranty

## Photometric Data

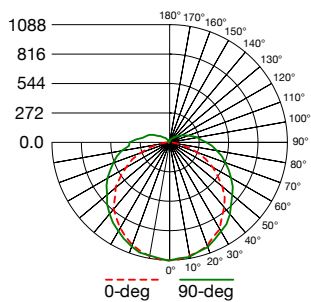
[View IES files](#)



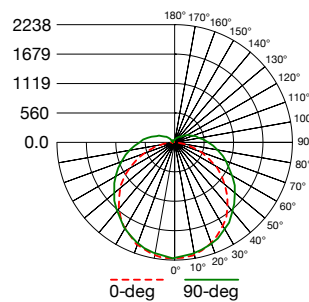
**4SLSTPSIC-NUV-4000K HIGH**  
 Electronic Driver  
 Linear LED 4000K  
 Spacing criterion: (H) 1.24 x mounting height, (L) 1.32 x mounting height  
 Lumens: 6075  
 Input Watts: 46.1W  
 Efficacy: 132 LPW  
 Test Report: 4SLSTPSIC-NUV-4000K HIGH.IES



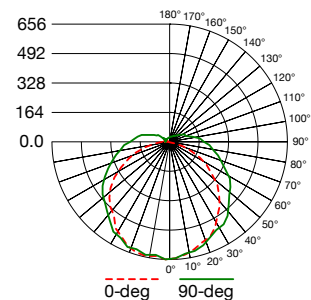
**8SLSTPSIC-NUV-4000K HIGH**  
 Electronic Driver  
 Linear LED 4000K  
 Spacing criterion: (H) 1.28 x mounting height, (L) 1.32 x mounting height  
 Lumens: 11202  
 Input Watts: 83.6W  
 Efficacy: 134 LPW  
 Test Report: 8SLSTPSIC-NUV-4000K HIGH.IES



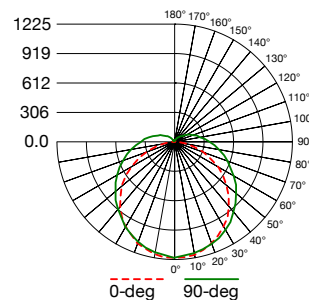
**4SLSTPSIC-NUV-4000K MED**  
 Electronic Driver  
 Linear LED 4000K  
 Spacing criterion: (H) 1.26 x mounting height, (L) 1.32 x mounting height  
 Lumens: 4102  
 Input Watts: 29.3W  
 Efficacy: 140 LPW  
 Test Report: 4SLSTPSIC-NUV-4000K MED.IES



**8SLSTPSIC-NUV-4000K MED**  
 Electronic Driver  
 Linear LED 4000K  
 Spacing criterion: (H) 1.28 x mounting height, (L) 1.32 x mounting height  
 Lumens: 8325  
 Input Watts: 62.3W  
 Efficacy: 134 LPW  
 Test Report: 8SLSTPSIC-NUV-4000K MED.IES

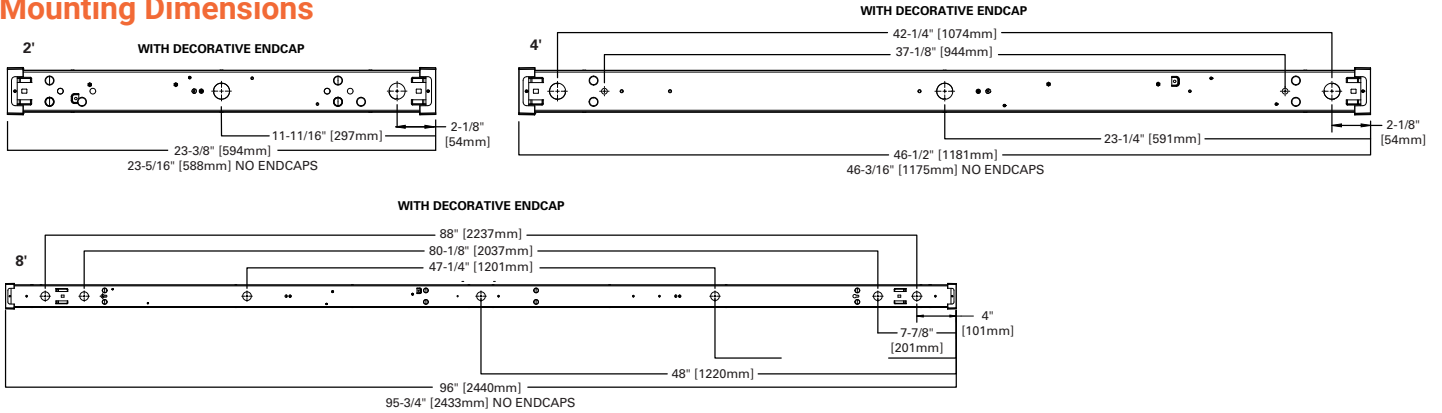


**4SLSTPSIC-NUV-4000K LOW**  
 Electronic Driver  
 Linear LED 4000K  
 Spacing criterion: (H) 1.24 x mounting height, (L) 1.34 x mounting height  
 Lumens: 2506  
 Input Watts: 17.3W  
 Efficacy: 144 LPW  
 Test Report: 4SLSTPSIC-NUV-4000K LOW.IES

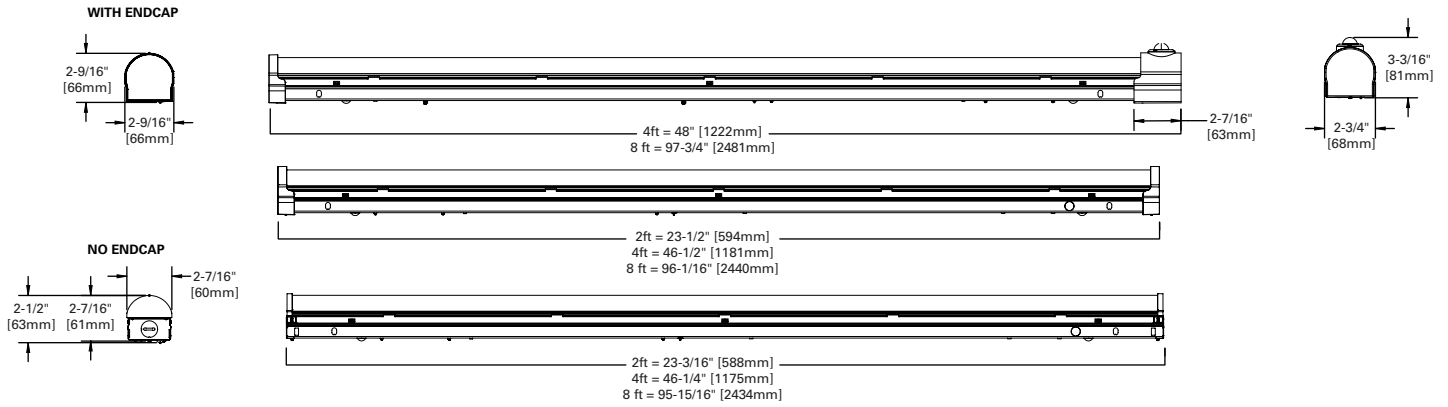


**8SLSTPSIC-NUV-4000K LOW**  
 Electronic Driver  
 Linear LED 4000K  
 Spacing criterion: (H) 1.28 x mounting height, (L) 1.32 x mounting height  
 Lumens: 4556  
 Input Watts: 31.9W  
 Efficacy: 143 LPW  
 Test Report: 8SLSTPSIC-NUV-4000K LOW.IES

## Mounting Dimensions

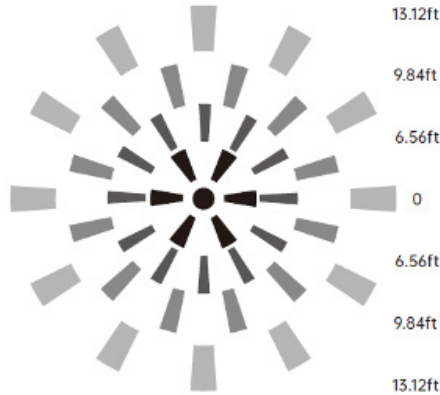


## Overall Dimensions

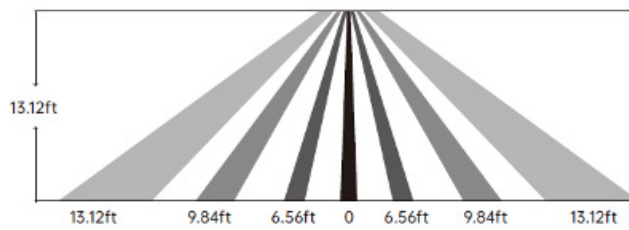


## Sensor Coverage (MS Sensor Kit)

SENSOR COVERAGE PATTERN - TOP VIEW



SIDE VIEW



LIGHT OUTPUT OVER TIME

