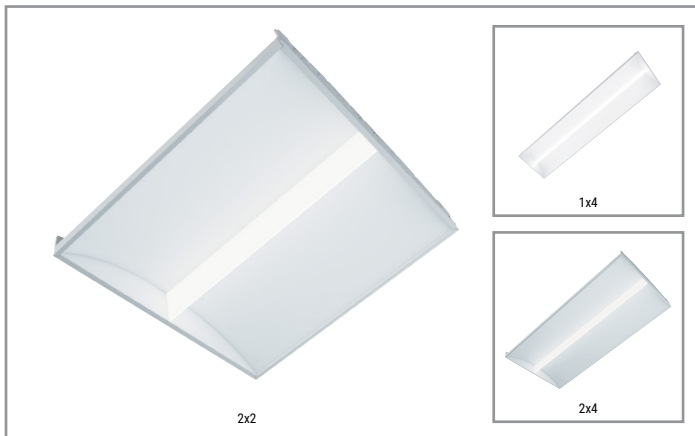


Project		Catalog #		Type	
Prepared by		Notes		Date	



Metalux

SkyRidge LED Selectable

Skyridge Selectable Lumens and CCT
1x4 / 2x2 / 2x4 Specification Grade Troffer

Typical Applications

- Commercial Office Spaces • Schools • Hospitals • Retail
- Other Indoor Ambient Applications

Product Certification



Product Features



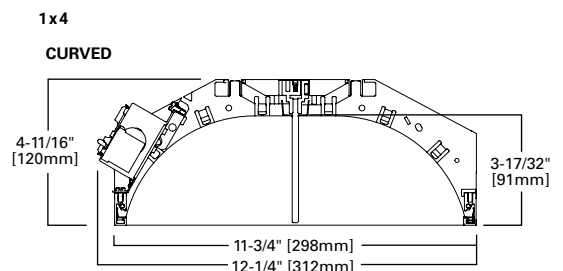
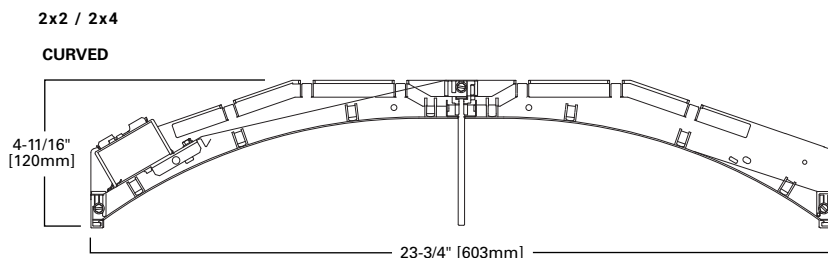
Interactive Menu

- Order Information page 2
- Photometric Data page 4
- Control Solutions page 5
- Product Warranty

Top Product Features

- Available in 1' x 4', 2' x 2' and 2' x 4' recessed versions
- Design friendly with (3) selectable color temperatures and (3) selectable lumen packages
- Leverages our patented WaveStream Technology with AccuAim™ optics
- Advanced optical control with optimal illumination
- High performance efficacy up to 151 lumens per watt

Dimensional and Mounting Details



[additional product diagrams](#)

Order Information

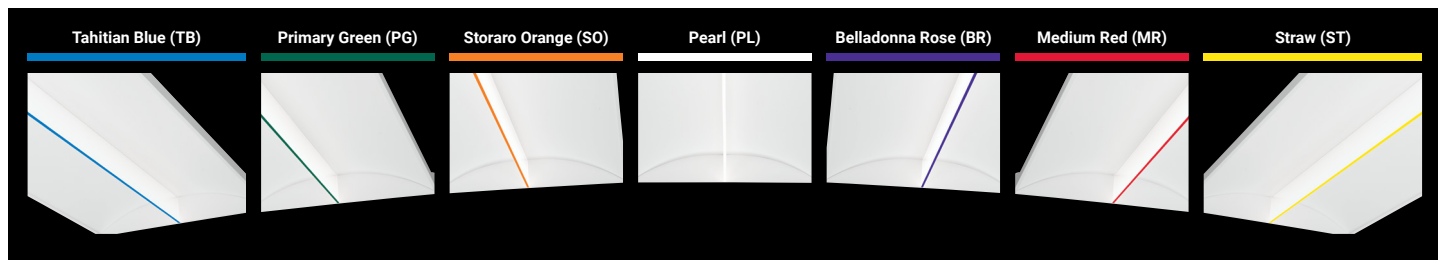
SAMPLE ORDER NUMBER: **22SRC-SCT3-UNV**

Domestic Preferences	Rating	Series	Air	Voltage
Domestic Preferences ⁽¹⁾	Rating	Series	Air	Voltage
[Blank] =Standard BAA =Buy American Act TAA =Trade Agreements Act	[Blank] =Standard ATW-SW4 = Chicago Rated ⁽²⁾	14SRC-SCT3 =1' x 4' SkyRidge Selectable 22SRC-SCT3 =2' x 2' SkyRidge Selectable 24SRC-SCT3 =2' x 4' SkyRidge Selectable	[Blank] =Standard A =Air (Vented) ⁽³⁾	UNV =Universal Voltage 120-277
Notes (1) Only product configurations with these designated prefixes are built to be compliant with the Buy American Act of 1933 (BAA) or Trade Agreements Act of 1979 (TAA), respectively. Please refer to DOMESTIC PREFERENCES website for more information. Components shipped separately may be separately analyzed under domestic preference requirements.	Notes (2) No sensor or installed FLEX options available with ATW-SW4 option.	Notes Selectable Lumens (See table on pg. 4 for details) 1x4-32/45/60 2x2-30/40/50 2x4-42/53/65 Selectable Color 3000K/4000K/5000K	Notes (3) Air version is intended for air return through plenum. See air return data table for air flow volumes. Air option not available with ATW-SW4.	

Emergency Options	Flex	Driver Type
Emergency Options	Flex ⁽⁶⁾	Driver Type
EL7W =7-watt, 120V-277V emergency battery pack installed ⁽⁴⁾ EL14W =14-watt 120V-277V emergency battery pack installed ⁽⁴⁾ ETRD =120-277V Emergency Transfer Relay with dimming control ⁽⁵⁾	[Blank] =Standard Dimming Flex A3/8-4/18GDIM =Flex, hot, neutral, ground, 2 dimming leads A3/8-5/18GDIM =Flex, 2 hots, neutral, ground, 2 dimming leads Non-Dimming Flex A3/8-2/18G =Flex, hot, neutral, ground A3/8-3/18G =Flex, 2 hots, neutral, ground	[Blank] =Standard (0-10V Driver, 10%-100%)
Notes (4) With integral test switch/indicator/laser test. For approximate delivered lumens multiply the lumens per watt of the desired fixture by the wattage of the emergency battery pack (100 lm/W x 7=700 lumens). IES-format photometry for luminaire under emergency operation available. (5) Used to bypass local control during outage. Must be used in conjunction with UL 1008 device (provided by others).	Notes (6) Multiple options available in online configurator. See additional notes on Flex below. Flexible Metal Conduit Options Flex options available for 0-10V dimming control, emergency and night light functions. 72-inch factory-installed and pre-wired to driver, fitted to luminaire housing access plate with 90° enclosed FMC connector. Not all options may be combined and installation ratings vary by type.	

Integrated Sensing Systems	SkyTrim	Packaging	Accessories
Integrated Sensing Systems	SkyTrim ⁽⁷⁾	Packaging	Accessories (order separately) ⁽⁸⁾
[Blank] =No Sensor WLS (formerly WAB) =WaveLinX LITE Wireless Sensor, Occupancy w/ photocell, Independent & Networked ^{(10), (6)} WPS (formerly WAA) =WaveLinX PRO Wireless Sensor, Occupancy w/ photocell, Networked ^{(9), (A)} WPN =WaveLinX PRO Wireless Control Node, without sensor ^{(9), (A)}	[BLANK] =Standard, No SkyTrim TB =Tahitian Blue PG =Primary Green SO =Storaro Orange PL =Pearl BR =Belladonna Rose MR =Medium Red ST =Straw	[Blank] =Unit Pack PALC =Job Pack, in carton	T3A-END-E.Q.BRACKET-PARTS-BAG (Standard with fixture) DF-24W-U =2' x 4' Drywall Frame Kit SK-24-WT =2' x 4' Tall Surface Mount Kit DF-14W-U =1' x 4' Drywall Frame Kit DF-22W-U =2' x 2' Drywall Frame Kit DF-24W-U =2' x 4' Drywall Frame Kit SK-14-WT =1' x 4' Tall Surface Mount Kit SK-22-WT =2' x 2' Tall Surface Mount Kit SK-24-WT =2' x 4' Tall Surface Mount Kit
Notes (9) WPS sensor and WPN node to be used with CD or W2A driver. (10) WLS sensor to be used with CD driver. Integrated options must be used in conjunction with the associated system and may not be compatible with other options or accessories. Please refer to the following: (A) Consult WaveLinX PRO system pages for additional details and compatibility. (B) Consult WaveLinX LITE system pages for additional details and compatibility.	Notes (7) Fixtures using factory installed SkyTrim option are not DLC qualified.		Notes (8) Accessories sold separately will be separately analyzed under domestic preference requirements. Consult factory for further information. Integrated options must be used in conjunction with the associated system and may not be compatible with other options or accessories.

SkyTrim Options



Product Specifications

Construction

- Shallow 4.75" deep housing extruded aluminum frame
- Injected molded composite end plates
- End plate screws for strength, rigidity and gap eliminations
- End plate accessory grid-lock feature adds safety and convenience
- Four auxiliary fixture end suspension points
- Large access plate for supply connection

Controls

- 0-10V dimming to 10% standard
- WaveLinx wireless sensor compatible for standalone, controlled, connected, and IoT capability

LED and Light Engine

- Selectable Color temperature choices 3000K, 4000K and 5000K
- Selectable lumen output choices of low, medium, high
- TM21 life at 60,000 hours up to L94 and calculated L70 exceeds 290,000 hrs.
- Driver 120-277V Standard
- Default CCT/Lumen setting is 4000K and Medium Power

Emergency Battery Pack Options

- Optional emergency battery available in 7W and 14W
- Constant power to the LED system for controlled, predictable discharge
- Integrated test switch/indicator light visible from floor
- Min. 90-minute backup period for code compliance
- Integral emergency transfer relay available for generator equipped power systems

Driver and CCT/Lumen select

- Drivers can be accessed via plenum
- Selectable switches accessible outside of driver enclosure

Finish

- High reflectance baked matte white enamel finish for luminous uniformity

Optics

- Precision formed optical assembly
- Positively retained high optical grade acrylic lenses
- WaveStream technology provides a visually comfortable fully luminous surface

SkyTrim Accessory

- A luminous decorative accent that can be mounted directly on the light guide of a SkyRidge fixture either at the factory or in the field
- Designed for an array of interior applications
- Ideal for spaces where color is necessary to provide visual cues, emphasize brand identity, directional awareness or simply as an artistic expression

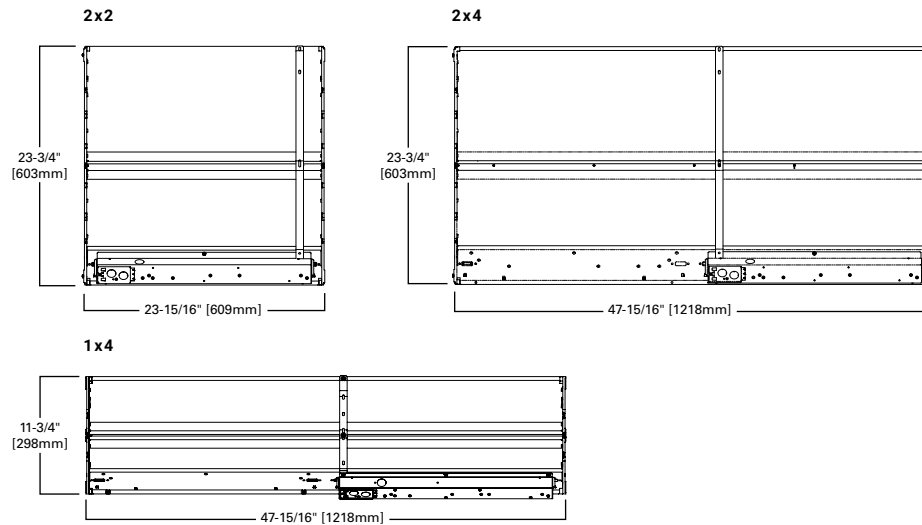
Compliance

- Components are UL recognized
- cULus listed for 25° C ambient indoor environments
- RoHS compliant
- Complies with IESNA LM-79
- LEDs compliant with LM-80 standards
- DesignLights Consortium® Qualified and classified for DLC Standard (refer to www.designlights.org)

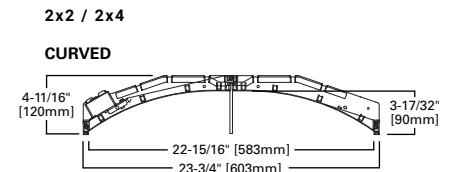
Warranty

- Limited five-year warranty. Optional ten year warranty available.

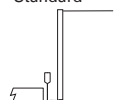
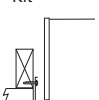
Dimensional and Mounting Details



Lamp Configurations



Ceiling Compatibility

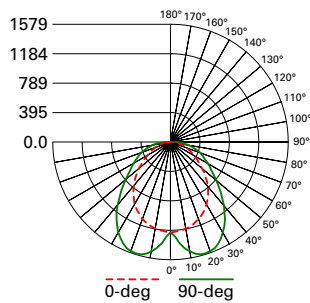
G	F	Ceiling Type	Trim Type
Grid/Lay-in Standard	Drywall Frame Kit	Exposed Grid	G
		Concealed T	G or T
		Slot Grid	G or T
		Flange	*

*See Drywall Frame Kit Accessory in Ordering Information section.

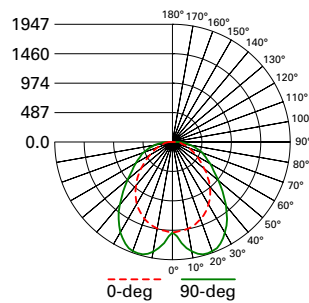
**Fixture construction is suitable for use in Air-handling and plenum rated spaces in accordance with Section 300.22 (C) of the National Electrical Code, Section 4.3.11.2.6.5 of NFPA 90A and Section 602.2.1.4 of ICC.

Photometric Data

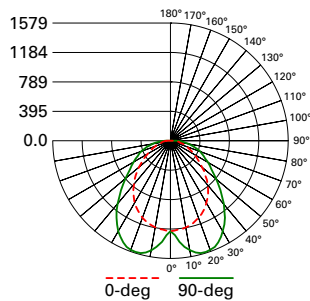
 View IES files



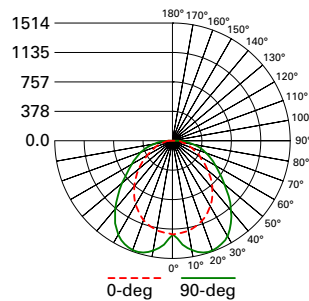
24SRC-SCT3-UNV HIGH 3000K
 Electronic Driver
 Linear LED 3000K
 Spacing criterion: (II) 1.20 x mounting height, (L) 1.28 x mounting height
 Lumens: 6386
 Input Watts: 52.6W
 Efficacy: 121 lm/W
 Test Report:
 24SRC-SCT3-UNV-HIGH-3000K.IES



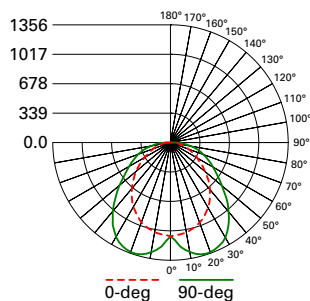
24SRC-SCT3-UNV MED 3000K
 Electronic Driver
 Linear LED 3000K
 Spacing criterion: (II) 1.20 x mounting height, (L) 1.28 x mounting height
 Lumens: 5086
 Input Watts: 39.1W
 Efficacy: 130 lm/W
 Test Report:
 24SRC-SCT3-UNV-MID-3000K.IES



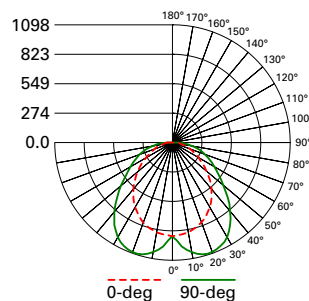
24SRC-SCT3-UNV LOW 3000K
 Electronic Driver
 Linear LED 3000K
 Spacing criterion: (II) 1.20 x mounting height, (L) 1.56 x mounting height
 Lumens: 4124
 Input Watts: 30.3W
 Efficacy: 136 lm/W
 Test Report:
 24SRC-SCT3-UNV-LOW-3000K.IES



22SRC-SCT3-UNV HIGH 4000K
 Electronic Driver
 Linear LED 4000K
 Spacing criterion: (II) 1.20 x mounting height, (L) 1.56 x mounting height
 Lumens: 4160
 Input Watts: 30W
 Efficacy: 139 lm/W
 Test Report:
 22SRC-SCT3-UNV-HIGH-4000K.IES



22SRC-SCT3-UNV MED 4000K
 Electronic Driver
 Linear LED 4000K
 Spacing criterion: (II) 1.20 x mounting height, (L) 1.56 x mounting height
 Lumens: 3725
 Input Watts: 26.2W
 Efficacy: 142 lm/W
 Test Report:
 22SRC-SCT3-UNV-MID-4000K.IES



22SRC-SCT3-UNV LOW 4000K
 Electronic Driver
 Linear LED 4000K
 Spacing criterion: (II) 1.20 x mounting height, (L) 1.56 x mounting height
 Lumens: 3017
 Input Watts: 20W
 Efficacy: 146 lm/W
 Test Report:
 22SRC-SCT3-UNV-LOW-4000K.IES



Energy and Performance Data by Catalog Number

Size	Catalog Number	Lumen Setting	CCT	CRI (Min)	Delivered Nominal Lumens	Watts	Efficacy (lm/W)
2X2	22SRC-SCT3-UNV	Low	3000K	80	2765	21.7	127
			4000K		3017	20.7	146
			5000K		2937	21.8	135
		Medium	3000K		3350	27.7	121
			4000K		3725	26.2	142
			5000K		3562	27.8	128
		High	3000K		3698	31.8	116
			4000K		4160	30.0	139
			5000K		3929	32.0	123
2X4	24SRC-SCT3-UNV	Low	3000K	80	4124	30.3	136
			4000K		4393	29.1	151
			5000K		4323	30.2	143
		Medium	3000K		5086	39.1	130
			4000K		5503	37.3	148
			5000K		5366	39.1	137
		High	3000K		6386	52.6	121
			4000K		7048	49.8	142
			5000K		6710	52.7	127
1X4	14SRC-SCT3-UNV	Low	3000K	80	3084	24.8	124
			4000K		3471	23.9	145
			5000K		3453	24.7	140
		Medium	3000K		4199	35.4	119
			4000K		4800	33.8	142
			5000K		4712	35.3	133
		High	3000K		5599	47.0	119
			4000K		6120	44.6	137
			5000K		5927	47.0	126

SkyTrim Table

Lumen Adjustment Factors						
TB	PG	SO	PL	BR	MR	ST
0.683	0.572	0.684	0.935	0.575	0.565	0.885

Note: Average values shown. Refer to IES-format photometry for exact performance data.

Lumen Maintenance (Non-IC Data)

Ambient Temperature	TM-21 Lumen Maintenance (100,000 hours) ⁽¹⁾	Theoretical L70 (Hours) ⁽²⁾
25°C	> 92%	> 290,000

Notes: (1) Supported by IES TM-21 standards. (2) Theoretical values represent estimations commonly used; however, refer to the IES position on LED Product Lifetime Prediction, IES PS-10-18, that explains proper use of IES TM-21 and LM-80.

SkyTrim Field Installation Kits

Color Choice	Kit Catalog Number	Kit Quantity
Tahitian Blue	STK-4-TB-10PK	10
Primary Green	STK-4-PG-10PK	10
Storaro Orange	STK-4-SO-10PK	10
Belladonna Rose	STK-4-BR-10PK	10
Medium Red	STK-4-MR-10PK	10
Pearl	STK-4-PL-10PK	10
Straw	STK-4-ST-10PK	10

Note: Chosen color will be matched on acrylic but will appear lighter once applied to lit light guide.

Shipping Data

Catalog No.	Wt.
14SRC-SCT3	18 lbs.
22SRC-SCT3	12 lbs.
24SRC-SCT3	24 lbs.

Control Solutions

- WaveLinx LITE wireless
- WaveLinx PRO wireless
- WaveLinx CAT wired
- WaveLinx Wired

