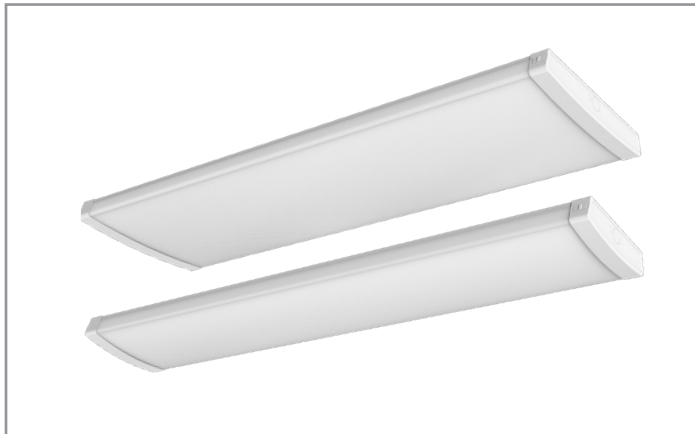


Project		Catalog #		Type	
Prepared by		Notes		Date	



Metalux

ProWrap

2" Low-profile Commercial Wraparound with CCT and Lumen Select

Typical Applications

Education • Utility • Warehouse • Residential • Office

Product Certification



Product Features



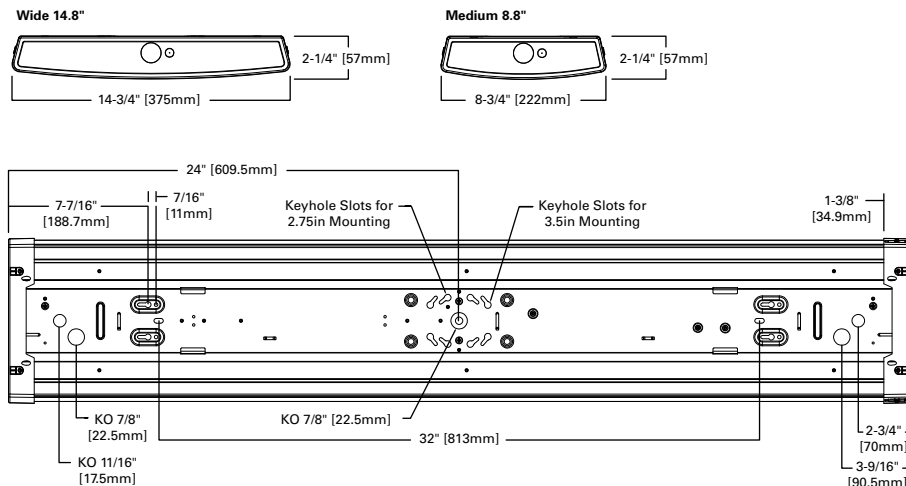
Interactive Menu

- Performance Data page 2
- Ordering Information page 3
- Photometric Data page 4
- Product Warranty

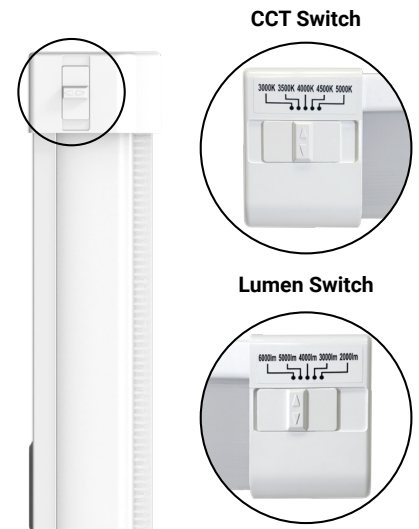
Top Product Features

- Classic 4ft long wide body wrap - 8.8" and 14.8" widths
- Low-profile 2" lens with microprism LED optics
- 5 Lumen Select up to 8000 lumen and >125 lm/W
- 5 CCT Color Select - 3000/3500/4000/4500/5000K
- Mounts to junction box, ceiling or wall mount with included hardware
- Removable KO for conduit end or thru-wire feed

Dimensional and Mounting Details



Selectable Switches



Performance Data

Default CCT Setting: 5000K | Default Lumen Setting: High

Catalog #	Lumen Setting	CCT	Delivered Nominal Lumens	Power (Watt)	Efficacy (lm/W)
4PWW-2060C5	Low	3000K	2048	15.2	135
		3500K	2080	15.0	138
		4000K	2103	14.9	141
		4500K	2105	15.0	140
		5000K	2114	15.2	139
	Medium Low	3000K	3094	23.4	132
		3500K	3160	23.1	137
		4000K	3211	22.9	140
		4500K	3211	23.1	139
		5000K	3203	23.4	137
	Medium	3000K	4173	32.4	129
		3500K	4278	32.0	134
		4000K	4361	31.6	138
		4500K	4354	32.0	136
		5000K	4318	32.4	133
	Medium High	3000K	4976	39.7	125
		3500K	5119	39.1	131
		4000K	5234	38.6	136
		4500K	5226	39.1	134
		5000K	5163	39.7	130
High	3000K	5842	48.1	122	
	3500K	6037	47.3	128	
	4000K	6195	46.5	133	
	4500K	6166	47.3	130	
	5000K	6064	48.1	126	
4PWW-4080C5	Low	3000K	4271	31.9	134
		3500K	4364	31.5	139
		4000K	4437	31.2	142
		4500K	4457	31.4	142
		5000K	4484	31.8	141
	Medium Low	3000K	5177	39.2	132
		3500K	5307	38.7	137
		4000K	5410	38.3	141
		4500K	5426	38.7	140
		5000K	5434	39.1	139
	Medium	3000K	6192	47.9	129
		3500K	6368	47.3	135
		4000K	6507	46.7	139
		4500K	6514	47.3	138
		5000K	6502	47.9	136
	Medium High	3000K	6986	54.9	127
		3500K	7192	54.1	133
		4000K	7368	53.4	138
		4500K	7357	54.1	136
		5000K	7337	54.8	134
High	3000K	8080	64.9	125	
	3500K	8324	63.9	130	
	4000K	8568	63.0	136	
	4500K	8517	64.0	133	
	5000K	8466	65.0	130	

Order Information and Performance Data

Catalog #	UPC	Width	CCT (K)	Lumens	Max. Watts	Max. Efficacy (lm/W)	Dimming
4PWM-2060C5	080083470457	8.75"	5 CCT Select: 3000K/3500K/4000K/4500K/5000K	5 Lumen Select: 6000/5000/4000/3000/2000	48	141	0-10V Dim to 10%
4PWW-4080C5	080083470471	14.75"	5 CCT Select: 3000K/3500K/4000K/4500K/5000K	5 Lumen Select: 8000/7000/6000/5000/4000	64	142	0-10V Dim to 10%

Product and Performance Data

Options

Catalog	Description	Example	Notes
EL10W	10W EM Pack, Installed (self-test select switch equipped)	4PWW-4080C5-EL10W	EM integrated behind metal enclosure
WLS	WaveLinX LITE Wireless Integrated Sensor	4PWM-2060C5-WLS	Sensor Integrated into end cap
WPS	WaveLinX PRO Wireless Integrated Sensor	4PWW-4080C5-WPS	Sensor Integrated into end cap

Load Data

	4PWM-2060C5	4PWW-4080C5
PF	> 0.9	> 0.9
THD%	< 20%	< 20%
Low Temp. Start	-20°C	-20°C

Shipping Data

Cat #	Unit Wt.	Master Carton Qty	Master Carton Wt.	Units per pallet
4PWM-2060C5	7.2 lbs	4	31.2 lbs	64
4PWW-4080C5	11.5 lbs	2	24.2 lbs	42

Accessories (Order Separately)

Accessories (order separately) ⁽¹⁾
SCF =Fixed Stem Set (Specify Length) SCS =Swivel Stem Set (Specify Length) SCA =Adjustable 48" Stem Set A1B/Spacer-U =Spacer 1-1/2" to 2-1/2" from ceiling (Use 2 Per Fixture) Y-TOGGLE-_-2PK =(2) Y-Toggle Cable Kits (Specify 10 or 30 for length in feet) HBAYC-CHAIN/SET/U =(2) V-Hook Hangers, 36" Chain-set w/S-Hooks
Notes (1) Accessories sold separately will be separately analyzed under domestic preference requirements. Consult factory for further information.

Product Specifications

Construction

- Cold rolled steel die form housing with finished ends
- Captive high-impact plastic end caps
- Electrical compartment covered by metal enclosure

Finish

- Post painted matte powder coat white paint for durability and reflectance

Electrical

- L70 is more than 60,000 hours based on TM21 testing standards
- 120-277V 0-10V dimming down to 10%
- Driver comes with 22AWG purple and pink low-voltage wiring for 0-10V dimming
- Default CCT Setting is 5000K and default lumen setting is 6000 lumen (Med 8.8") or 8000 lumen (Wide 14.8")

Emergency Options

- 120V-277V integral emergency battery pack in 10-watt (NFPA 101@ Life Safety Code®)
- Self-diagnostic switch on EBP battery for automatic code compliant testing when switch is "ON"
- Integrated test switch/indicator light visible from floor
- Min. 90-minute backup period for code compliance

Integrated Controls

- Standard with 0-10V dimming driver (10% standard)
- Integrated WaveLinX options provide wireless individual fixture control and enable code compliance, increased energy savings, grouping of fixtures, and connection to WaveLinX control systems

Shielding

- Polycarbonate diffuser with microprism optic
- Standard white LED lens blend for even illumination and improved aesthetics
- Replaces 3 or 4 lamp fluorescents up to 128W
- Achieve up to 10% upright and uniform ceiling to floor coverage

Installation

- Surface (wall or ceiling) mount via junction box or direct to surface
- Suspension mount capable using standard V-hook or Y-toggle mounting kits (Sold Separately)
- Jbox hardware and wirenuts included
- End feed using removable knock-out for conduit
- Thru-wire capable due to electrical enclosure
- Pendant mount capable through back KOs (Kits sold separately)

Compliance

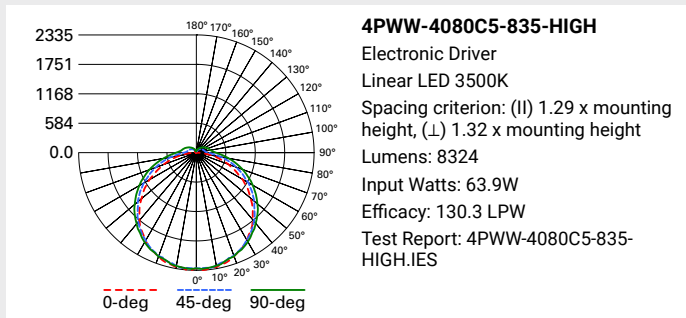
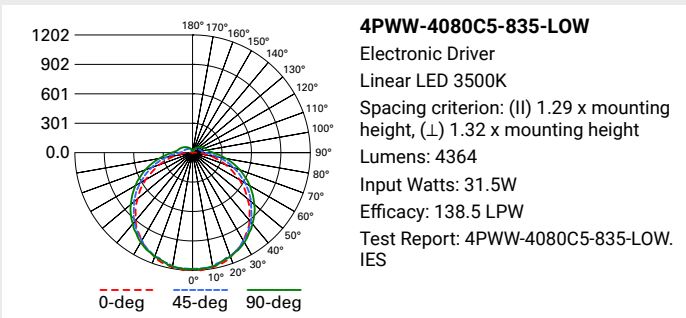
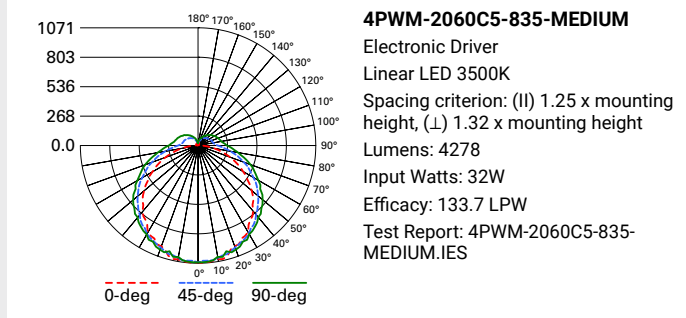
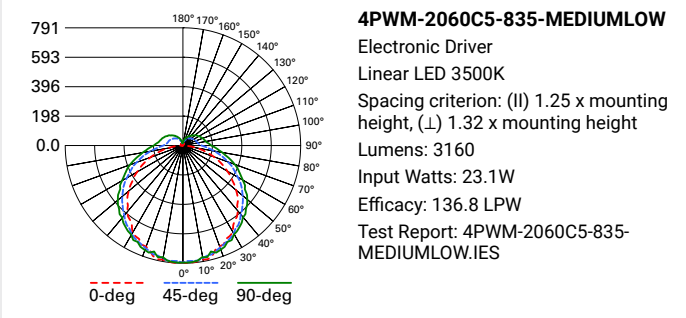
- UL/cUL listed for damp location
- Rated for -4F (-20C) to 104F (40C) ambient operating temperatures
- Meets FCC Part 15 Class B requirements
- RoHS compliant
- LED complies with IESNA LM-79 and LM-80
- DesignLights Consortium® Qualified and classified for DLC Standard, refer to www.designlights.org for details

Warranty

- Five year limited warranty

Photometric Data

[View IES files](#)



Control Solutions

- WaveLinX LITE wireless
- WaveLinX PRO wireless
- WaveLinX CAT wired
- WaveLinX Wired



The ProWrap with WaveLinX offers no-hassle lighting control with multiple luminaire level control solutions.



WaveLinX PRO is a wireless lighting control solution, for connected spaces, that significantly reduces a building's energy consumption. From a single floor to an entire campus, WaveLinX PRO connects more than lighting assets; it shares aggregated sensor data with the WaveLinX CORE platform and other building systems, so building owners can improve operations, spaces environment, and tenants' experience. WaveLinX PRO offers a rich portfolio of wireless devices, WaveLinX PRO-enabled luminaires, and an intuitive WaveLinX mobile app for office, education, warehouse, and parking garage applications.

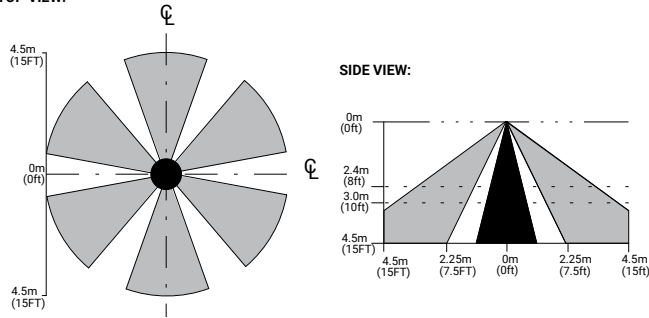


WaveLinX LITE is a cost effective, wireless digital lighting control solution, with out-of-the-box functionality, that saves energy and meets code. It's designed for applications that require occupancy-based, daylighting, or manual light control. Customize installations for office, education, warehouse and parking garages using the secure, simple mobile app.

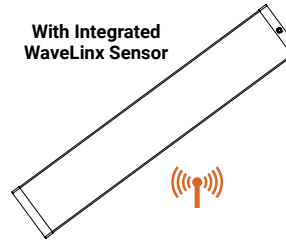
Integrated Sensor Coverage Pattern

WaveLinX PRO/LITE Sensor – WLS and WPS

TOP VIEW:



Note: Installation of integrated sensors within 3-ft (1m) of HVAC air vents is not recommended. The pattern shown is intended solely as a general guide and is not to scale.



Integrated Controls Options					
Option	Out of the Box Functionality	Luminaire Level Lighting Control (LLLC)	Automatic Dimming Photocell	Occupancy Sensing	CCT Control*
WLS	X	X	X	X	
WPS		X	X	X	X

Note: *WaveLinX utilizes scenes to allow users to change an area's fixtures Correlated Color Temperature (CCT) and intensity using a commissioned wireless wallstation scene controller. To enable CCT adjustments through WaveLinX, include WPS device in addition to VividTune or BioUp technologies for integrated fixture control. WPS with CCT controls the intensity of the fixture; an additional, externally mounted control device is needed to control the CCT. See [RSP-P-010-347](#)

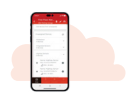
The WNPS option is available with WLS or WPS sensors. Must be specified when ordered. Also note that WLS and WPS are also compatible with ESP-L-010-347 and ESP-P-010-347, respectively. Learn more about WaveLinX EM [here](#).

Systems comparison chart

Cooper Lighting Solutions provides many lighting system solutions designed to satisfy code requirements and meet the unique needs of any project.



Luminaire with standalone sensor



Standalone Spaces WaveLinX LITE



Standalone Spaces WaveLinX CAT



Networked Spaces WaveLinX PRO



Enterprise WaveLinX CORE

	Luminaire with standalone sensor	Standalone Spaces WaveLinX LITE	Standalone Spaces WaveLinX CAT	Networked Spaces WaveLinX PRO	Enterprise WaveLinX CORE
Occupancy	Yes	Yes	Yes	Yes	Yes
Daylighting	Yes	Yes	Yes	Yes	Yes
Wallstations	-	Yes	Yes	Yes	Yes
Gateways	-	-	-	1 WAC	300 WACs
Devices (MAX)	-	40 per Area (1120 per space)	40 per Area	200 per WAC2	32,500 per CORE Enterprise
Software	-	WaveLinX LITE Mobile App	WaveLinX CAT Mobile App	WaveLinX Mobile App	CORE
Areas	-	28 per Space	Unlimited	50 per WAC2	up to 3,000
Zones	-	16 per Area	16 per Area	16 per Area	up to 9,000
Scheduling	-	-	-	Local	Global
VividTune™	-	-	-	Yes	Yes
Plug-Load Control	-	Yes	Yes	Yes	Yes
Low-Voltage Power	-	-	Yes	Yes	Yes
Integration	-	-	-	-	BACnet, API
Dashboards	-	-	-	-	Energy, Occupancy
Configuration	-	Installer	Installer	Technician	Technician / IT