

Project		Catalog #		Type	
Prepared by		Notes		Date	



# Lumark AP

## AWP Architectural Wall Pack Series

Wall Mount Luminaire

### Product Features



**Interactive Menu**

- Ordering Information page 2
- Product Specifications page 2
- Energy and Performance Data page 3

### Product Certifications

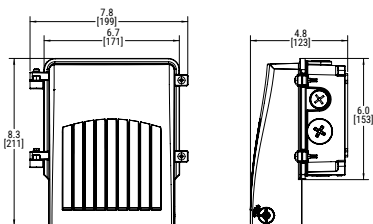


### Quick Facts

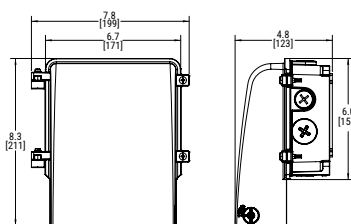
- Selectable lumens, CCT, and 0 to 45 degree rotatable optics
- Finned and smooth aesthetics available
- Lumen packages range from 2,800-20,800 lumens
- Replaces 35-250W HID equivalent
- Efficacies up to 155 lumens per watt
- Heat and impact resistant PC lens

### Dimensional Details

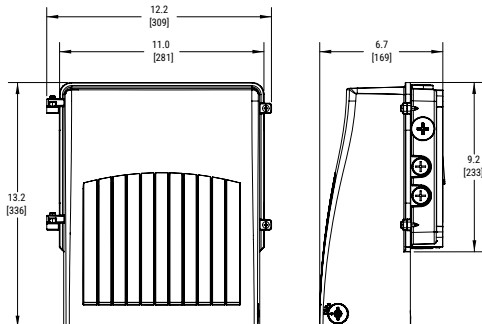
Architectural Wall Pack Fins - Small



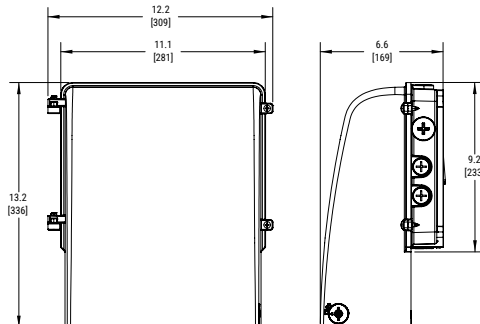
Architectural Wall Pack Smooth - Small



Architectural Wall Pack Fins - Medium & Large



Architectural Wall Pack Smooth - Medium & Large



## Ordering Information

Model Number <sup>1</sup>	Lumens Wattage	Wattage	Color Temperature	Tilttable Lens	Voltage	Controls
<b>AWPS28S-BZ</b> =Architectural Wall Pack Small Smooth, 20-28W,120-347V,PC	2,800-4,000 Lms	20-25-28W	Selectable CCT: 3000,4000,5000K / 80CRI	0-45° forward throw	120-347V, 50/60Hz	Selectable Dusk-to-Dawn via Button-type photocontrol
<b>AWPS75S-BZ</b> =Architectural Wall Pack Medium Smooth, 55-75W,120-347V,PC	7,900-11,200 Lms	55-65-75W				
<b>AWPS150S-BZ</b> =Architectural Wall Pack Large Smooth, 100-150W,120-347V,PC	13,700-20,800 Lms	100-120-150W				
<b>AWPF28S-BZ</b> =Architectural Wall Pack Small Fins, 20-28W,120-347V,PC	2,800-4,000 Lms	20-25-28W				
<b>AWPF75S-BZ</b> =Architectural Wall Pack Medium Fins, 55-75W,120-347V,PC	7,900-11,200 Lms	55-65-75W				
<b>AWPF150S-BZ</b> =Architectural Wall Pack Large Fins, 100-150W,120-347V,PC	13,700-20,800 Lms	100-120-150W				
<b>NOTES:</b> 1. DesignLights Consortium® Qualified. Refer to <a href="http://www.designlights.org">www.designlights.org</a> Qualified Products List under Family Models for details.						

## Product Specifications

**Construction**

- Die-cast aluminum housing with hinged, removable die-cast aluminum door
- Four 1/2" threaded conduit entry points
- Removable mounting plate and hangar for easy installation
- Cast-in angle indicators

**Optics**

- Polycarbonate lens

**Electrical**

- -40°C minimum operating temperature
- 40°C maximum operating temperature
- >.9 power factor
- <20% total harmonic distortion
- Class 1 driver incorporates internal fusing designed to withstand 6kV surge
- 0-10V dimming driver standard

**Controls**

- Selectable configurations supply internal toggle switches to adjust luminaire CCT and lumens. Selectable luminaires will ship default at 4000K CCT and maximum lumen output. Selectable configurations also provide an integrated button-type photocontrol for dusk-to-dawn operation. The photocontrol is also field-adjustable via toggle switches to either enable or disable. The photocontrol ships default enabled.

**Typical Applications**

- Outdoor
- Parking Lots
- Walkways
- Building Areas

**Finish**

- Bronze

**Compliance**

- Meets ANSI C136.25 for IP66 Optical enclosure rating
- UL wet location rated
- Configurations available that meet DLC and DLC Premium requirements, submission in progress - visit [www.designlights.org](http://www.designlights.org) to confirm listed variants
- Meets RoHS compliance

**Shipping Data**

- Unit Carton:
  - AWPS28S & AWP28S: 4.2 lbs
  - AWPS75S & AWP75S: 10.2 lbs
  - AWPS150S & AWP150S: 10.5 lbs
- Master Carton:
  - AWPS28S & AWP28S: 18.5 lbs
  - AWPS75S & AWP75S: 22.8 lbs
  - AWPS150S & AWP150S: 23.3 lbs

**Warranty**

- Five-year limited warranty. Consult website for details. [www.cooperlighting.com/legal](http://www.cooperlighting.com/legal)

## Energy and Performance Data

[View WP IES files](#)

### Power and Lumens

CCT SETTING	LUMEN SETTING	0°								
		20-25-28W			55-65-75W			100-120-150W		
		LUMENS	WATTAGE	EFFICACY	LUMENS	WATTAGE	EFFICACY	LUMENS	WATTAGE	EFFICACY
3000K	HIGH	3,779	29	129	10,526	77	137	19,638	151	130
	MID	3,500	27	131	9,376	67	140	16,620	125	133
	LOW	2,853	21	135	7,974	56	143	13,721	100	137
4000K	HIGH	4,047	28	145	11,256	74	152	20,874	145	144
	MID	3,733	26	146	9,976	65	154	17,558	121	145
	LOW	2,998	20	147	8,446	54	155	14,295	97	147
5000K	HIGH	3,992	29	137	10,932	76	144	20,488	150	137
	MID	3,700	27	139	9,737	66	147	17,408	124	140
	LOW	3,005	21	143	8,308	55	150	14,364	100	144

### Lumen Maintenance

Configuration	Ambient Temperature	TM-21 Lumen Maintenance (50,000 hrs)	Reported L70 (hrs)
Up to 28W	40°C	91.24%	>102,000
Up to 75W	40°C	91.24%	>102,000
Up to 150W	40°C	91.24	>102,000