

Installation Instructions – IRiS Recessed Install-from-Below Downlights and Adjustable Luminaires (P3RT/P3RTKE/P3SQRT/P3SQRTKE and P3ART/P3ARTKE/P3SQART/P3SQARTKE)

WARNING



Risk of Fire, Electrical Shock, Cuts or other Casualty Hazards- Installation and maintenance of this product must be performed by a qualified electrician. This product must be installed in accordance with the applicable installation code by a person familiar with the construction and operation of the product and hazards involved.



Risk of Fire and Electric Shock- Make certain power is OFF before starting installation or attempting any maintenance. Disconnect power at fuse or circuit breaker.



Risk of Fire- Minimum 90°C supply conductors. For Non-IC fixtures do not install insulation within 3 inches (76 mm) of any part of the luminaire fixture or in a way that may entrap heat.



Risk of Burn- Disconnect power and allow fixture to cool before handling or servicing.

Risk of Personal Injury- Due to sharp edges, handle with care.

Failure to comply with these instructions may result in death, serious bodily injury and property damage.

DISCLAIMER OF LIABILITY: Cooper Lighting Solutions assumes no liability for damages or losses of any kind that may arise from the improper, careless, or negligent installation, handling or use of this product.

IMPORTANT: Read carefully before installing the fixture. Retain for future reference.

Note: Do not energize the LED Engine until the protective cover has been removed with the optic and lower trim properly installed. Do not touch the surface of the LED as it may damage the light engine.

SAFETY INSTRUCTIONS

When using electrical equipment, basic safety precautions should always be followed, including the following:

1. This unit is for recessed mounting only.
2. Do not use this equipment for other than the intended use.
3. Install only in accordance with National Electrical Code and local regulatory agencies' requirements.
4. For safety, always wear gloves and safety glasses when handling the luminaire—from unpacking through installation and maintenance.

This device complies with Part 15 of the FCC Rules. Operation is subject to the following two conditions:

1. This device may not cause harmful interference, and
2. This device must accept any interference received, including interference that may cause undesired operation.

This device complies with ISED ICES Standard Canada ICES-005(B) / NMB-005 (B).

Tools Required: #2 X 4" Phillips screwdriver

Installation Instructions – IRiS Recessed Install-from-Below Downlights and Adjustable Luminaires (P3RT/P3RTKE/P3SQRT/P3SQRTKE and P3ART/P3ARTKE/P3SQART/P3SQARTKE)

INSTALL FROM BELOW INSTALLATION

To avoid possible electrical shock, be sure that the power supply is turned off at fuse box or circuit breaker before installing or servicing fixture.

The P3RT and P3ART requires a hole 3-13/16" [97mm] in diameter. A holesaw is recommend to create this hole. The P3SQRT/P3SQART requires 3.81" x 3.81" (97 x 97mm) square opening. (see Figure 1).

In case of Knife Edge (Flangeless) version P3RTKE/P3ARTKE/P3SQRTKE/P3SQARTKE, install the rimless adapter prior to installation. Refer to installation instruction IL53450125 (plaster lathing ring) for hole size and other details. Self-Flange version can be installed directly.

1. Verify power has been turned off at the fuse box or circuit breaker. After the hole is cut into the ceiling, find all necessary wires required for installation (typically hot, neutral, ground, and dimming controls).
2. Wire connections should be done below the ceiling using a conduit fitting or slide-n-side on the side of the junction box. Upon completion, shut the junction box door. (see Figure 2).
3. Use the quick connect to attach the LED Module side cable to the driver side cable (see figure 3).
4. Carefully insert the junction box into the hole in the ceiling (see Figure 3). Mounting placement of the junction box to be 6-14" away from the center of the hole in the ceiling. Using the junction box's mounting holes, mount to building structure in accordance to local code as required.
5. Remove the overspray protector (see Figure 4), retain it for reinstallation upon completion of the installation process. (Note: The overspray protector is not required for the self-flange version).
6. Make certain clamp wings can move freely. If clamp wings are tight and cannot freely move, turn the mounting screws counter-clockwise one turn (see Figure 6). Making sure the clamp wings are snug against the LED Module prior to inserting the module into the ceiling (see Figure 4).
Note: Wing clamps available in two sizes for ceiling thickness
Range 1 = .5" -.8125" ceiling thickness (pre-installed)
Range 2 = .8125" - 1.25" ceiling thickness (provided in J-Box) (Not Available in case of P3ARTKE / P3SQARTKE)
7. For the Self Flange version, insert LED module into the ceiling until feet are snug against the ceiling. For Knife edge version, align the slots on the LED module with tabs on the rimless adaptor and insert the LED module into the ceiling unit adaptor such that the adaptor tabs are snug against the module. (See Figure 5)
8. Turn both clamp wing screws clockwise until the clamp wings clamp the module into the ceiling (see Figure 6). Do NOT over torque the screws. HAND-TIGHTEN ONLY. *For room-side inspection of splices: Verify power has been turned off at the fuse box or circuit breaker & follow steps 8-2 in reverse. *

Installation Instructions – IRiS Recessed Install-from-Below Downlights and Adjustable Luminaires (P3RT/P3RTKE/P3SQRT/P3SQRTKE and P3ART/P3ARTKE/P3SQART/P3SQARTKE)

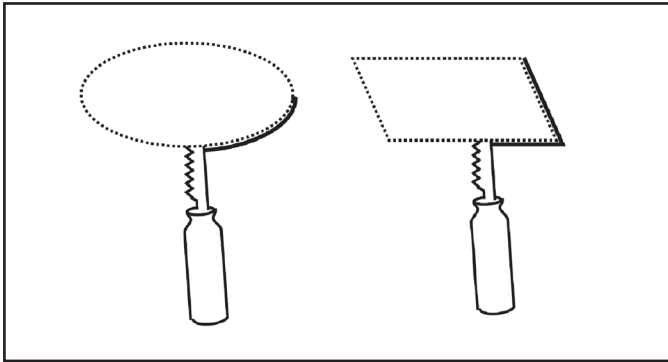


Figure 1.

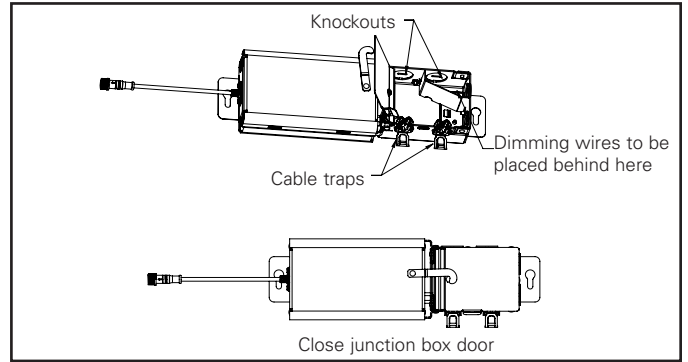


Figure 2.

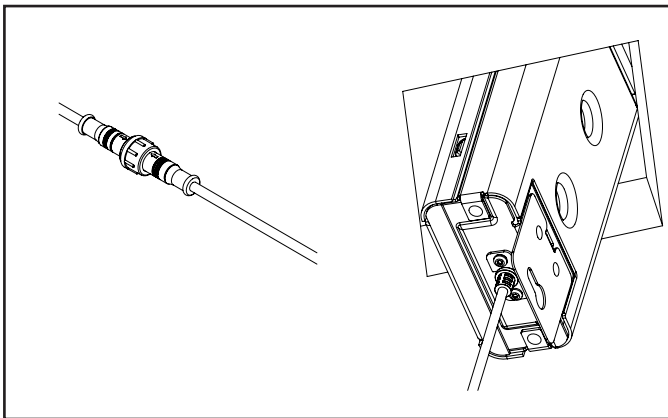


Figure 3.

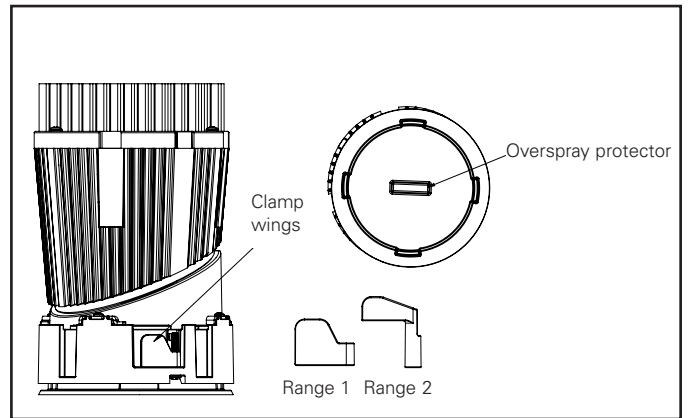


Figure 4.

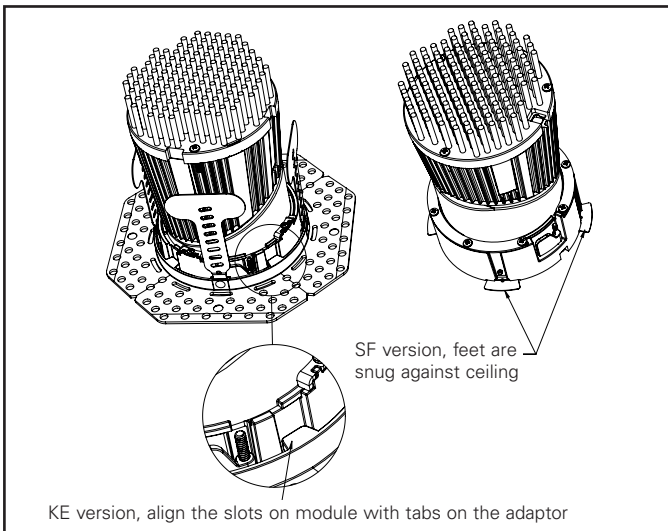


Figure 5.

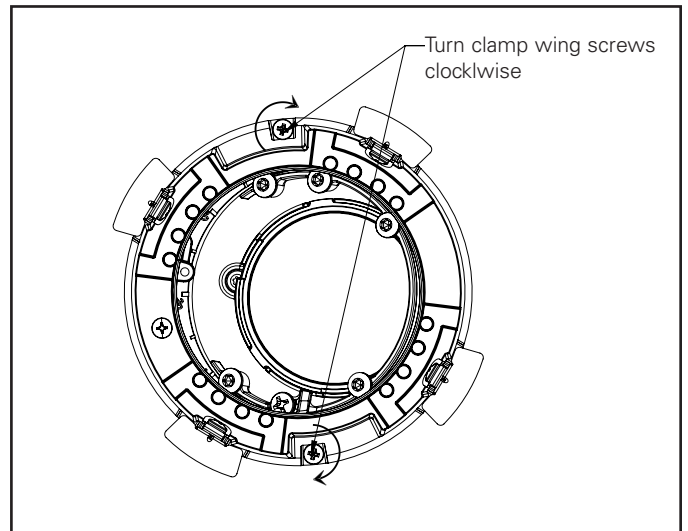


Figure 6.

Installation Instructions – IRiS Recessed Install-from-Below Downlights and Adjustable Luminaires (P3RT/P3RTKE/P3SQRT/P3SQRTKE and P3ART/P3ARTKE/P3SQART/P3SQARTKE)

OPTICS

1. The optic can be removed and replaced to provide a different beam angle. To remove optic, twist counterclockwise. To install, insert optic and twist clockwise (Figure 7A & 7B).
2. Also available is a single/double media holder. To install, place the media onto the media holder. Engage snaps at bottom of snap staircase. Twist clockwise until tight (Figure 8).

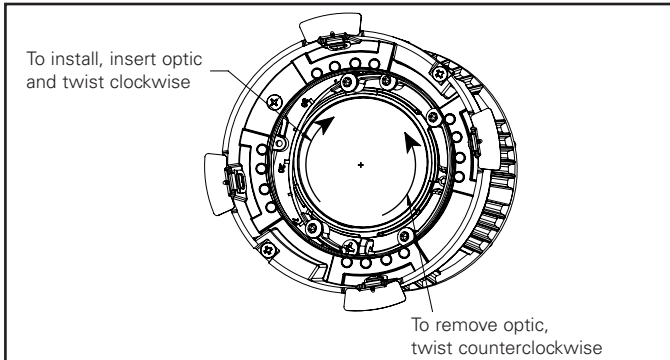


Figure 7A.

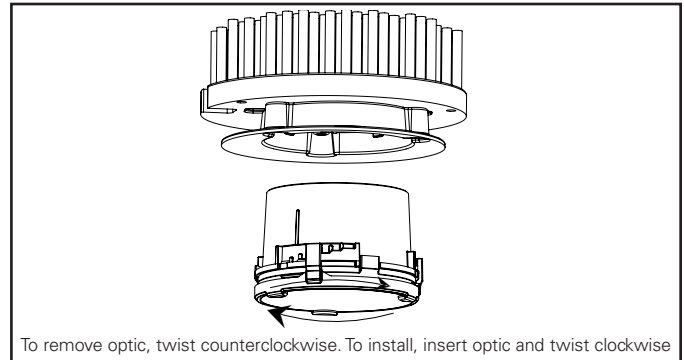


Figure 7B.

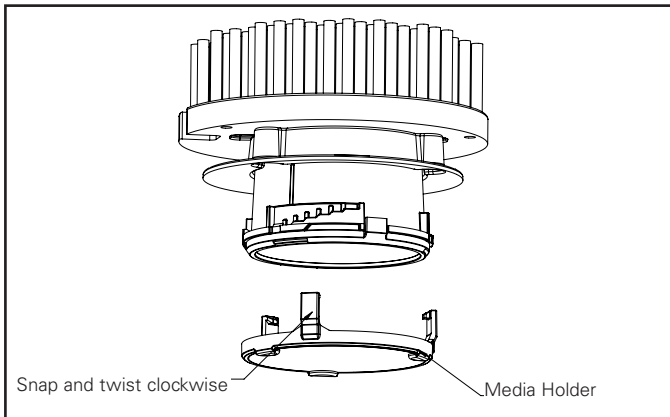


Figure 8.

Installation Instructions – IRiS Recessed Install-from-Below Downlights and Adjustable Luminaires (P3RT/P3RTKE/P3SQRT/P3SQRTKE and P3ART/P3ARTKE/P3SQART/P3SQARTKE)

TILTING (For Adjustable)

This fixture allows for up to 45° tilt. Due to physical limitations of varying ceiling thicknesses, trim aperture, and number of additional lens media, full 45° rotation and/or full light output may not be possible.

1. Loosen the Phillips head angle indicator screw as shown (Figure 9A). Using the tilting tab, rotate the mechanism until the desired tilting angle is achieved using the Phillips screw head as an indicator on the scale.
2. Tighten the angle indicator screw to lock fixture tilt.

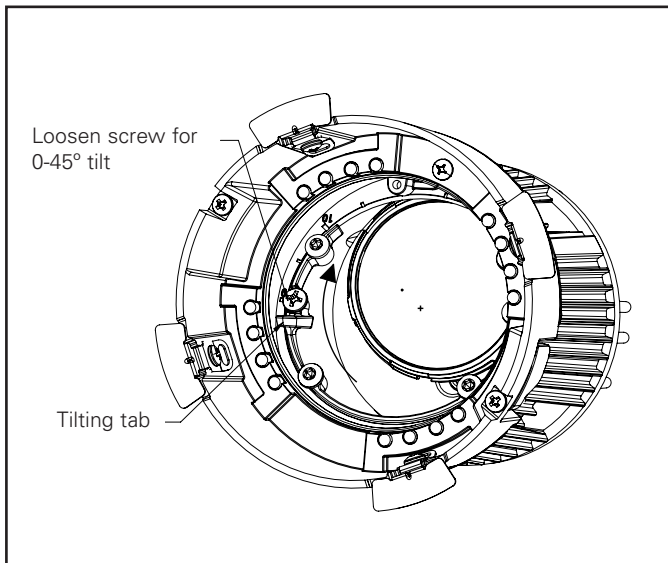


Figure 9A.

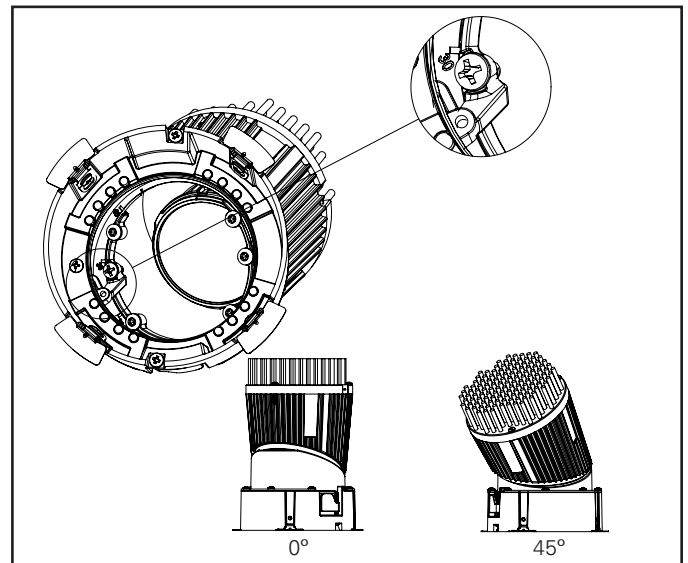


Figure 9B.

AIMING

This fixture allows for 360°+ rotational "aim."

1. Loosen Phillips head screw as shown (Figure 10).
2. Using the aiming tab (Figure 10), rotate to the appropriate position. Tighten the Phillips head screw to lock aiming position.

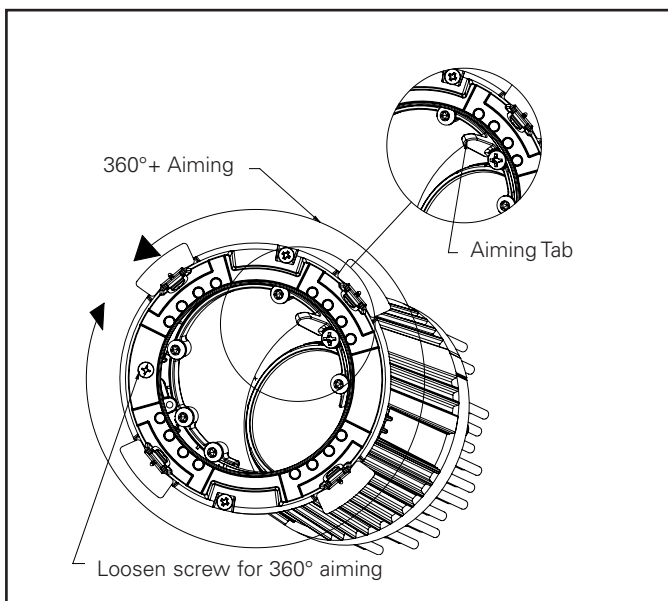


Figure 10.

Installation Instructions – IRiS Recessed Install-from-Below Downlights and Adjustable Luminaires (P3RT/P3RTKE/P3SQRT/P3SQRTKE and P3ART/P3ARTKE/P3SQART/P3SQARTKE)

TRIM INSTALLATION

1. Clean, gently wipe with a soft, clean, dry lint-free cloth to remove dust).
2. In the event fingerprints are placed on the reflective area, use a mild detergent solution on a soft clean cloth to remove them. Wipe with clean water and dry with a soft, clean, dry lint-free cloth.
3. The above cleaning method can be used anytime during the life of the trim.
4. Remove overspray protector (only applicable for P3RTKE/P3ARTKE/P3SQRTKE/P3SQARTKE).
5. Attach trim tether clip to aiming bracket (Figure 11).
6. Align mounting plates with magnets and place trim against ceiling (Figure 12).
7. If using a wall wash trim, the angle of the trim lens should align with the direction and angle of the mechanism head (Figure 13). Optimal tilt for corner and single wall wash is 15°, double wall wash is 0°.

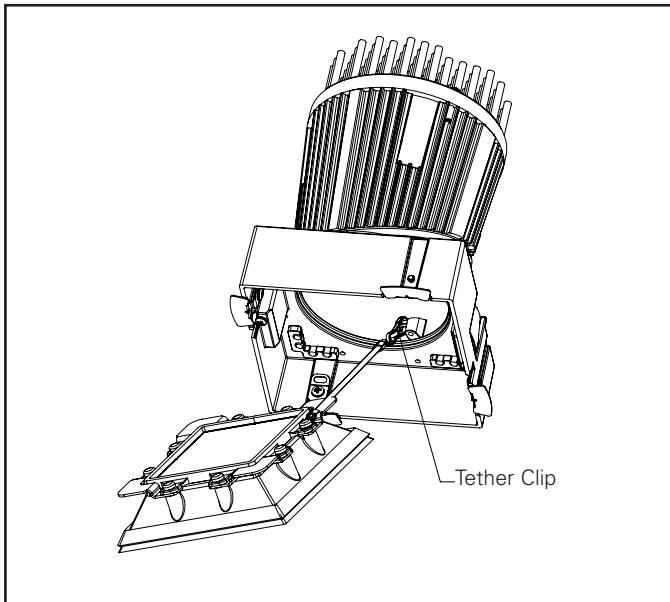


Figure 11.

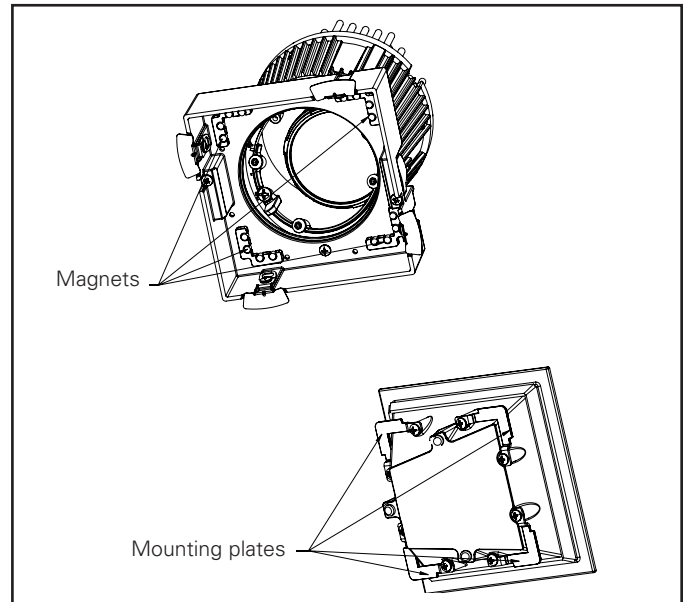


Figure 12.

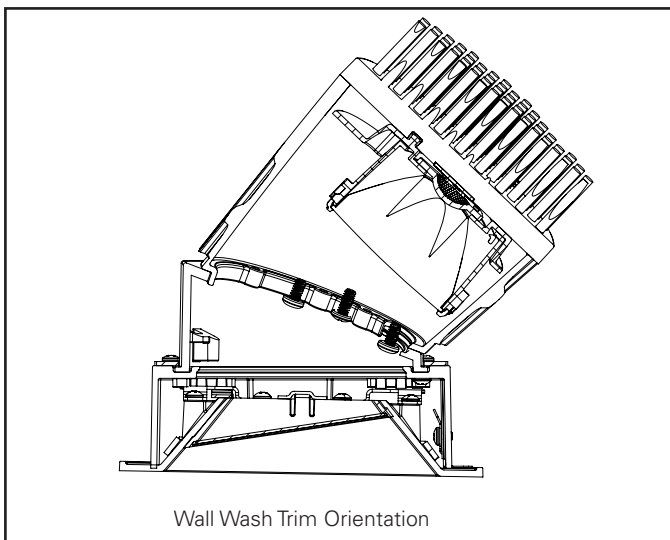


Figure 13.

Installation Instructions – IRiS Recessed Install-from-Below Downlights and Adjustable Luminaires (P3RT/P3RTKE/P3SQRT/P3SQRTKE and P3ART/P3ARTKE/P3SQART/P3SQARTKE)

DIMMING

The IRiS P3*RT3 *DTR Series can be dimmed with many standard 120V incandescent dimmers, electronic low voltage dimmers and 0-10V DC dimming controls. The Portfolio P3*RT3 *DE010 and P3*RT3 *D010 Series can be dimmed with 0-10V DC dimming controls but are NOT to be dimmed using line voltage dimmers. The Portfolio P3*RT3* *D5LT Series can be dimmed with Fifth Light and DALI compatible controls. The Portfolio P3*RT3 *DMX Series can be dimmed with DMX compatible controls.

5-YEAR LIMITED WARRANTY

THE FOLLOWING WARRANTY IS EXCLUSIVE AND IN LIEU OF ALL OTHER WARRANTIES, WHETHER EXPRESS, IMPLIED OR STATUTORY INCLUDING, BUT NOT LIMITED TO, ANY WARRANTY OF MERCHANTABILITY OR FITNESS FOR ANY PARTICULAR PURPOSE.

Cooper Lighting Solutions warrants to customers that, for a period of five years from the date of purchase, Cooper Lighting Solutions products will be free from defects in materials and workmanship. The obligation of Cooper Lighting Solutions under this warranty is expressly limited to the provision of replacement products. This warranty is extended only to the original purchaser of the product. A purchaser's receipt or other proof of date of original purchase acceptable to Cooper Lighting Solutions. This is required before warranty performance shall be rendered.

This warranty does not apply to Cooper Lighting Solutions products that have been altered or repaired or that have been subjected to neglect, abuse, misuse or accident (including shipping damages). This warranty does not apply to products not manufactured by Cooper Lighting Solutions which have been supplied, installed, and/or used in conjunction with Cooper Lighting Solutions products. Damage to the product caused by replacement bulbs or corrosion or discoloration of brass components are not covered by this warranty.

LIMITATION OF LIABILITY:

IN NO EVENT SHALL COOPER LIGHTING SOLUTIONS BE LIABLE FOR SPECIAL, INDIRECT, INCIDENTAL, OR CONSEQUENTIAL DAMAGES (REGARDLESS OF THE FORM OF ACTION, WHETHER IN CONTRACT, STRICT LIABILITY, OR IN TORT INCLUDING NEGLIGENCE), NOR FOR LOST PROFITS; NOR SHALL THE LIABILITY OF COOPER LIGHTING SOLUTIONS FOR ANY CLAIMS OR DAMAGE ARISING OUT OF OR CONNECTED WITH THESE TERMS OR THE MANUFACTURE, SALE, DELIVERY, USE, MAINTENANCE, REPAIR OR MODIFICATION OF COOPER LIGHTING SOLUTIONS PRODUCTS, OR SUPPLY OF ANY REPLACEMENT PARTS THEREFORE, EXCEED THE PURCHASE PRICE OF Cooper Lighting Solutions PRODUCTS GIVING RISE TO A CLAIM. NO LABOR CHARGES WILL BE ACCEPTED TO REMOVE OR INSTALL FIXTURES.

All returned products must be accompanied by a Return Goods Authorization Number issued by the Company and must be returned freight prepaid. Any product received without a Return Goods Authorization Number from the Company will be refused. Cooper Lighting Solutions is not responsible for merchandise damaged in transit. Repaired or replaced products shall be subject to the terms of this warranty and are inspected when packed. Evident or concealed damage that is made in transit should be reported at once to the carrier making the delivery and a claim filed with them. Reproductions of this document without prior written approval of Cooper Lighting Solutions are strictly prohibited.

FCC Statement

Note: This equipment has been tested and found to comply with the limits for a Class B digital device, pursuant to part 15 of the FCC Rules. These limits are designed to provide reasonable protection against harmful interference in a residential installation. This equipment generates uses and can radiate radio frequency energy and, if not installed and used in accordance with the instructions, may cause harmful interference to radio communications. However, there is no guarantee that interference will not occur in a particular installation. If this equipment does cause harmful interference to radio or television reception, which can be determined by turning the equipment off an on, the user is encouraged to try to correct the interference by one or more of the following measures:

- Reorient or relocate the receiving antenna.
- Increase the separation between the equipment and receiver.
- Connect the equipment into an outlet on a circuit different from that to which the receiver is connected.
- Consult the dealer or an experienced radio/TV technician for help.



Cooper Lighting Solutions
1121 Highway 74 South
Peachtree City, GA 30269
P: 770-486-4800
www.cooperlighting.com

Canada Sales
5925 McLaughlin Road
Mississauga, Ontario L5R 1B8
P: 905-501-3000
F: 905-501-3172

Cooper Lighting Solutions is a registered trademark. All trademarks are property of their respective owners.

Product availability, specifications, and compliances are subject to change without notice

© 2026 Cooper Lighting Solutions
All Rights Reserved
Printed in China
Publication No. IL52065825ML
January 12, 2026 2:06 PM