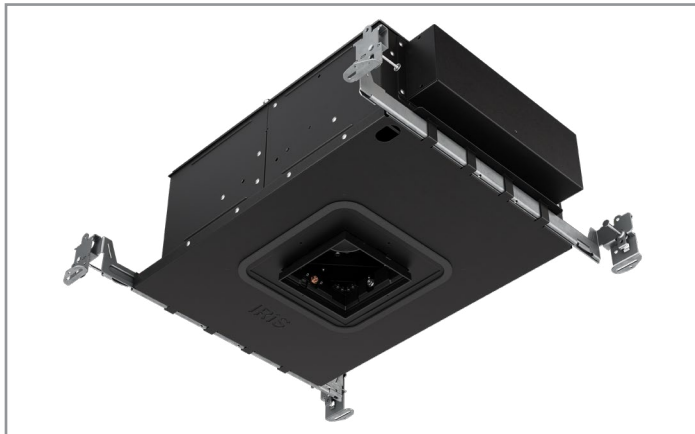


Project		Catalog #		Type	
Prepared by		Notes		Date	



IRiS

P3SQA

3" Square Adjustable / Accent / Slope Ceiling / Downlight

Typical Applications

Residential • Hospitality • Retail • Office • Education • Healthcare

Interactive Menu

- Order Information page 2
- Product Specifications page 5
- Energy & Performance Data page 8
- Photometric Data page 9
- Connected Systems page 11
- Product Warranty

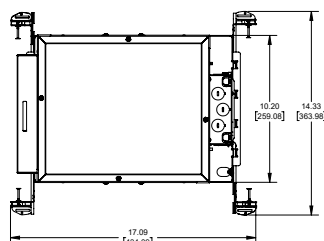


Top Product Features

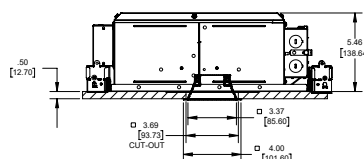
- Z axis adjustment 1/2" and 1"
- Magnetically guided snap in driver
- Locking 365° rotation and 45° tilt holds any aiming position
- Interchangeable optics: 8°, 12°, 10°–70° in 5° increments, and asymmetric patterns
- Available in 250 to 2,400 lumens
- Offered in 90, 97 and 98 CRI
- Media holder accepts two lens media
- 2400K, 2700K, 3000K, 3500K, 4000K, 5000K; 1 SDCM
- D2W™ Dim-to-Warm option from 3000K to 1850K
- W2N™ Tunable White CCT range 2700K to 6500K or 2000K to 5000K
- RGBW
- BioUp™ Melanopic Lighting in Tunable White (2700K to 5000K) or Static White
- Options to meet Buy American and other domestic preference requirements

Dimensional and Mounting Details

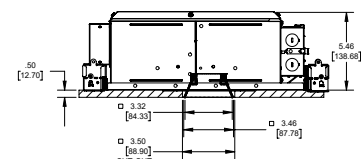
additional product diagrams



FLANGED TRIM



KNIFE EDGE TRIM



Order Information

SAMPLE ORDER NUMBER: P3SQA09R259030DTR E3SQCBUS1MW

Domestic Preferences ⁽⁶⁾	Housing (Extension collars available for ceiling thicknesses >.75")	Lumens (Nominal Lumens will vary depending on selected color, CRI, driver and trim finish)	Optics ⁽¹⁾⁽²⁾	
<p>[blank] = Standard BAA = Buy American Act TAA = Trade Agreements Act</p>	<p>P3SQA = 3" Square 45° Adjustable Accent New Construction Recessed Downlight</p> <p>P3SQACP = 3" Square 45° Adjustable Accent New Construction Recessed Downlight, CCEA Chicago Plenum and Spray Foam Rated (Closed cell spray foam insulation with a maximum R-value of 6.8R/in. This allows use in ceiling cavities insulated up to R60.)</p>	<p>90/97/98 CRI IC Rated 02 = 250 lm 05 = 500 lm 09 = 900 lm 13 = 1300 lm 17 = 1700 lm*</p> <p>Non-IC Rated 20 = 2000 lm* 24 = 2400 lm (90/97 CRI only)*</p> <p>D2W™ Dim-to-Warm ⁽¹⁾⁽²⁾ IC Rated 02 = 250 lm 05 = 500 lm 09 = 900 lm 13 = 1300 lm*</p> <p>Non-IC Rated 1700 = 1700 lm*</p>	<p>W2N™ Tunable White ⁽¹⁾⁽²⁾⁽⁴⁾ IC Rated 05 = 500 lm 09 = 900 lm 13 = 1300 lm</p> <p>Non-IC Rated 17 = 1700 lm*</p> <p>BioUp™ Melanopic Lighting ⁽¹⁾⁽²⁾⁽⁴⁾ IC Rated 05 = 500 lm 09 = 900 lm</p> <p>Non-IC Rated 13 = 1300 lm*</p> <p>RGBW Full Color + Tunable White ⁽¹⁾⁽²⁾⁽⁴⁾⁽⁷⁾ Non-IC Rated 13 = 1300 lm* (downlight only)</p> <p>* Deep housing for 2x8 framing construction</p>	<p>[blank] = Order optic separately (Available for ≥15°) R08 = 8° (Offered in 250 lm; Requires DE010 or D5LT driver) ⁽³⁾ R10 = 10° (Offered for 250-900 lm) ⁽³⁾ R12 = 12° (Offered ≤1300 lm) ⁽³⁾ R15 = 15° R20 = 20° R25 = 25° R30 = 30° R35 = 35° R40 = 40° R45 = 45° R50 = 50° R55 = 55° R60 = 60° R65 = 65° R70 = 70° (Required when using wall wash trims) RHV = Hyperbolic (use with and required with hyperbolic trim)</p> <p>Asymmetric Elliptical 2R2040 = 20° x 40° 2R2050 = 20° x 50° 2R2060 = 20° x 60°</p>

CRI / CCT	Voltage	Driver Voltage / Control	Driver Options
<p>90 CRI (min) 9024 = 2400K 9027 = 2700K 9030 = 3000K 9035 = 3500K 9040 = 4000K 9050 = 5000K</p> <p>97 CRI (min) 9727 = 2700K 9730 = 3000K 9735 = 3500K 9740 = 4000K</p> <p>98 CRI (250-1300 lumens use 2X6 housing, 1700-2000 lumens use 2X8 housing) 9824 = 2400K 9827 = 2700K 9830 = 3000K 9835 = 3500K 9840 = 4000K</p>	<p>D2W™ Dim-to-Warm (IC rated ≤900 lumens; offered with ≥15° optics up to 1300 lumens; 25° optic for 1700 lumens) 9030D2W = Dim-to-Warm, 3000K-1850K</p> <p>W2N™ Tunable White (Specify with DE010, D5LT or LD2 driver; offered with ≥15° optics up to 1300 lumens; 25° optic for 1700 lumens) W2N902050 = Tunable White, 2000K-5000K (500-1700 lm) W2N902765 = Tunable White, 2700K-6500K (500-1700 lm)</p> <p>BioUp™ (Specify with DE010, D5LT or LD2 driver; offered with ≥15° optics) B2750 = BioUp™ Boosted cyan tunable white, 2700K - 5000K B35 = Static BioUp™, 3500K (DE010 only) B40 = Static BioUp™, 4000K (DE010 only) B50 = Static BioUp™, 5000K (DE010 only)</p> <p>RGBW (Specify with DMX driver, offered with ≥15° optics; use as downlight only, module cannot be tilted) RGBW = Bridgelux Vesta RGBW Full Color + Tunable White, 1800K-6500K</p>	<p>[blank] = Default voltage for 90/97 CRI, 98 CRI ≤1700 lm, D2W™, ≤1300 W2N™ Tunable White, and ≤900 lm BioUp™ 1 = 120V (Use with 2000 lm 98 CRI, 1300 lm BioUp™, and 1700 lm W2N™ Tunable White, RGBW) 2 = 277V (Use with 2000 lm 98 CRI (not available in DTR), 1300 lm BioUp™, 1700 lm W2N™ Tunable White, and RGBW)</p> <p>Phase Cut Dimming DTR = 120V phase cut 1% dimming</p> <p>0-10V Dimming D010 = UNV 120-277V, 0-10V 1% dimming 3D010 = 347V 0-10V 1% dimming (900-2400 lm) DE010 = UNV 120-277V, 0-10V linear, 0.1% dimming (≥250lm for D2W and ≥500 lm for other CRI/CCT))</p> <p>DALI & DMX D5LT = UNV 120-277V DALI DT6 logarithmic 0.1% dimming (≥250lm for D2W and ≥500 lm for other CRI/CCT) DMX = UNV 120-277V DMX/RDM logarithmic 0.1% dimming (≥250lm for D2W and ≥500 lm for other CRI/CCT) ⁽⁵⁾ DMXCS = UNV 120-277V DMX/RDM logarithmic 0.1% dimming with RJ45 connection (≥250lm for D2W and ≥500 lm for other CRI/CCT) ⁽⁵⁾</p> <p>Lutron® EcoSystem™ & DALI DLE = UNV 120-277V Lutron® EcoSystem™ 1% dimming (≥900 lm) LD2 = Lutron® DALI UNV 120-277V for Tunable White (900-1300 lm)</p>	<p>[blank] = Integral driver (Offered with DTR, D010, 3D010, DE010, DLE and D5LT) R = Remote driver (Order remote driver separately. Not available with 2000 lm 98 CRI, 1300 lm BioUp™ and 1700 lm W2N™ Tunable White.)</p>

Options ⁽⁶⁾	
<p>Emergency Battery Backup EMB0D6ST = Bodine® 7W Emergency Module with Remote Test Switch (≥500 lm) EM7 = 7W Integral Emergency Backup Battery with Remote Test Switch (≥900 lm) EM14 = 14W Integral Emergency Backup Battery with Remote Test Switch (≥1700 lm) EM14RSD = 14W Self Diagnostic Replaceable Emergency Battery Pack with Remote Test Switch (≥1700 lm) IEMB0D6ST = Bodine® 6W Self Test Emergency Module with Integral Test Switch (use with ultra-shallow bevel trim; ≥500 lm; up to 0.75" thick ceilings) IEM7 = 7W Emergency Backup Battery with Integral Test Switch (use with ultra-shallow bevel trim; ≥900 lm; up to 0.75" thick ceilings) IEM14 = 14W Emergency backup battery with Integral test switch (use with ultra-shallow bevel trim; ≥1700 lm; up to 0.75" thick ceilings) IEM14RSD = 14W Self Diagnostic Replaceable Emergency Battery Pack with Integral Test Switch (use with ultra-shallow bevel trim; ≥1700 lm; up to 0.75" thick ceilings) ETRD = Emergency Transfer Device</p>	<p>WaveLinX (Factory-installed) WPST = WaveLinX PRO Sensor kit WLST = WaveLinX LITE Sensor kit WPN = WaveLinX PRO Wireless Node without Sensor (Specify with DE010 or D010) WLN = WaveLinX LITE Wireless Node without Sensor (Specify with DE010 or D010)</p> <p>Lutron® Athena™ AWN = Lutron® Athena™ Wireless Node (Specify with D010, DE010, or LD2)</p>

Continued on next page.

Order Information

Square Die cast Aluminum and Non-conductive Trims (Micro Flange or Knife edge rimless plaster / millwork)	Lens (Required for outdoor use)	Flange Style and finish	Reflector Finish
<p>Downlight E3SQCD = 3" Full cone E3SQCB = 3" Bevel (Not offered with lens) E3SQCBUS = 3" Ultra-shallow Bevel (For use with integral emergency) or lens E3SQCHY = 3" Open Hyperbolic (Not available with lens, order housing with RHY optic)</p> <p>Angle Cut Cone & Adjustable E3SQCA45 = 3" 45° Angle cut cone E3SQCA30 = 3" 30° Angle cut cone E3SQPH = 3" Pinhole (For downlight or tilted; Use with Flange Style 1 or 4) E3SQCSA = 3" Super adjustable (Not available with lens; use with Flange Style 1 or 4)</p>	<p>Wall Wash (Specify with 70° optic) E3SQCLSWW = 3" Lensed single wall wash E3SQCLDWW = 3" Lensed double wall wash</p> <p>Non-conductive (Use with Self-flanged Style 1; Select Matte Black or Matte White finish; Lens selection required) E3SQPB = 3" Bevel (Dead front) E3SQPA45 = 3" 45° Angle cut cone (Dead front)</p>	<p>[blank] = Open, hyperbolic, lensed wall wash, or super adjustable</p> <p>Lenses (Required for outdoor use) L = Textured clear lens LP = Prismatic lens LD = Diffuse lens</p>	<p>1 = Self-flanged (Flange matches reflector finish) 2 = Self-flanged (Flange is painted Matte White) 4 = Knife edge rimless for millwork and plaster (Requires accessories: adapters, and collars depending on ceiling material and thickness; Rimless plaster lathing ring required for plaster ceilings) 5 = Self-flanged (Flange is painted Matte Black)</p> <p>MW = Matte White MB = Matte Black MMS = Matte Metallic Silver BZ = Bronze</p>

Media and Optic Accessories		
Optics	Media Filters	Lens Options
<p>2R15SP = 15° Beam 2R20 = 20° Beam 2R25NFL = 25° Beam 2R30 = 30° Beam 2R35 = 35° Beam 2R40FL = 40° Beam 2R45 = 45° Beam 2R50 = 50° Beam 2R55WFL = 55° Beam 2R60 = 60° Beam 2R65 = 65° Beam 2R70 = 70° Beam</p> <p>Elliptical Optics 2R2040 = 20° x 40° 2R2050 = 20° x 50° 2R2060 = 20° x 60°</p>	<p>L112 = Red gel filter L114 = Ultraviolet dichroic filter L120 = Red dichroic filter L121 = Amber dichroic filter L122 = Yellow dichroic filter L123 = Green dichroic filter L124 = Daylight blue dichroic filter L125 = Blue dichroic filter L127 = Cosmetic (2700K) dichroic filter L131 = Amber gel filter</p>	<p>L110N = Diffuse Sandblasted Lens L111 = Soft Focus Lens L113 = Prismatic Spread Lens L115 = Linear Spread Lens L100MB = Hex cell louver</p>

Accessories			
<p>Knife Edge Rimless Trim Installations (Required for use with Knife Edge rimless plaster trims; Use with collar adapter below based on ceiling thickness) PRSQ3 = Rimless plaster lathing ring</p>	<p>Millwork & Plaster Collar Adapter (Required for Knife Edge rimless millwork or plaster trims. Includes installation tool for setting precise trim depth in the ceiling. Above ceiling access required for splice inspection in > 2 inch ceiling thickness.) CASQ3A = Collar adapter for 0.5"-0.75" thick ceilings CASQ3B = Collar adapter for 0.875"-1.125" thick ceilings CASQ3C = Collar adapter for 1.25" thick ceilings CASQ3D = Collar adapter for 1.5"-1.625" thick ceilings CASQ3E = Collar adapter for 1.75"-2.00" thick ceilings CASQ3F = Collar adapter for 2.00" - 2.25" thick ceilings CASQ3G = Collar adapter for 2.25" - 2.50" thick ceilings</p>	<p>Extension Collars For Self-flanged Trims (For ceilings thicker than .75". Above ceiling access required for splice inspection in > 2 inch ceiling thickness.) PCESQ3A = Plaster Collar Extender for 0.875"-1.125" thick ceilings PCESQ3B = Plaster Collar Extender for 1.25" thick ceilings PCESQ3C = Plaster Collar Extender for 1.5"-1.625" thick ceilings PCESQ3D = Plaster Collar Extender for 1.75"-2.00" thick ceilings PCESQ3E = Plaster Collar Extender for 2.00"-2.25 thick ceilings PCESQ3F = Plaster Collar Extender for 2.25"-2.50" thick ceilings</p>	<p>WaveLinX Sensor Kits WPST = Field-installed WaveLinX PRO Sensor Kit WLST = Field-installed WaveLinX LITE Sensor Kit</p>

Continued on next page.

Order Information

Required if remote driver (R) is specified

Remote driver				
Domestic Preferences ⁽⁸⁾	Flexible Metal Clad Conduit with Wires	Lumens	Color Control	Driver
<p>[blank]=Standard BAA = Buy American Act TAA = Trade Agreements Act</p>	<p>RN100 = Remote 100ft RN50 = Remote 50ft RN25 = Remote 25ft RN15 = Remote 15ft RN5 = Remote 5ft RN2 = Remote 2ft</p>	<p>IC Rated 02 = 250 lm 05 = 500 lm 09 = 900 lm 13 = 1300 lm</p> <p>Non-IC Rated 17 = 1700 lm 20 = 2000 lm 24 = 2400 lm</p>	<p>[blank] = 90, 97 and 98 CRI (98 CRI; ≤1700 lm)</p> <p>D2W™ Dim-to-Warm ⁽¹⁾⁽²⁾⁽⁴⁾ (90 CRI min; ≤1700 lm) 9030D2W = 3000K–1850K Dim-to-Warm</p> <p>W2N™ Tunable White ⁽¹⁾⁽²⁾⁽⁴⁾ (Specify with D5LT or DE010 driver) W2N902050 = Tunable white, 2000K–5000K CCT (500–1300 lm) W2N902765 = Tunable white, 2700K–6500K CCT (500–1300 lm)</p> <p>BioUp™ Melanopic Lighting ⁽¹⁾⁽²⁾⁽⁴⁾ (Specify with D5LT or DE010 driver) B2750 = BioUp™ Boosted cyan tunable white 2700K–5000K (500–900 lm) B35 = Static BioUp™, 3500K (DE010 driver only) B40 = Static BioUp™, 4000K (DE010 driver only) B50 = Static BioUp™, 5000K (DE010 driver only)</p> <p>RGBW ⁽¹⁾⁽²⁾⁽⁴⁾ (Specify with DMX driver) RGBW = Bridgelux Vesta RGBW Full Color + Tunable White, 1800K–6500K</p>	<p>Phase Cut Dimming DTR = 120V phase cut 1% dimming</p> <p>0-10V Dimming D010 = UNV 120-277V, 0-10V 1% dimming 3D010 = 347V 0-10V 1% dimming (900–2400 lm) DE010 = UNV 120-277V, 0-10V linear, 0.1% dimming (500–2400 lm)</p> <p>DALI & DMX D5LT = UNV 120-277V DALI DT6 logarithmic 0.1% dimming (500–2400 lm) DMX = UNV 120-277V DMX/RDM logarithmic 0.1% dimming (500–2400 lm) ⁽⁵⁾ DMXC5 = UNV 120-277V DMX/RDM logarithmic 0.1% dimming with RJ45 connection (500–2400 lm) ⁽⁵⁾</p> <p>Lutron® EcoSystem™ & DALI DLE = UNV 120-277V Lutron® EcoSystem™ 1% dimming (≥900 lm; limited to 25ft.) LD2 = Lutron® DALI UNV 120-277V for Tunable White</p>

Remote driver
Options
<p>Emergency Battery Backup EMB06ST = Bodine® 7W Emergency Module with Remote Test Switch (≥500 lm) EM7 = 7W Integral Emergency Backup Battery with Remote Test Switch (≥900 lm) EM14 = 14W Integral Emergency Backup Battery with Remote Test Switch (≥1700 lm) EM14RSD = 14W Self Diagnostic Replaceable Emergency Battery Pack with Remote Test Switch (≥1700 lm) ETRD = Emergency Transfer Device</p> <p>WaveLinX (Factory-installed; Specify with DE010 or D010 driver) WPN = WaveLinX PRO Wireless Node without Sensor WLN = WaveLinX LITE Wireless Node without Sensor</p> <p>Lutron® Athena™ (Specify with D010, DE010, or LD2 driver) AWN = Lutron® Athena™ Wireless Node</p>

Notes:

- * Deep housing for 2x8 framing construction (standard height is for 2x6)
- 1. Optic accommodates 2 media with 90, 97, and 98 CRI and 1 media with D2W™, W2N™, BioUp™, and RGBW.
- 2. D2W™, W2N™, BioUp™, and RGBW are offered with ≥15° optics with up to 1300 lm and ≥25° up to 1700 lm.
- 3. Optic must be specified with the housing for ≤12° and when using hyperbolic trim.
- 4. W2N™, BioUp™, and RGBW require above ceiling access
- 5. DMX fixtures default to full ON upon loss of DMX signal. (DMX and DMXC5 require above ceiling access and do not include magnetic snap-in driver.)
- 6. Battery pack and node options require ceiling access, not compatible with 347V, Chicago plenum, or IC rated (insulated ceilings)
- 7. RGBW must be used in downlight position only

Product Specifications

Housing

- Die formed 18-gauge CRS housing is painted matte black for a visibly dark interior
- Insulated Ceilings (Refer to order information tables)
- IC rated for direct contact with air permeable insulation and non-IC rated
- Chicago Plenum (CP) IC housings are rated for closed cell spray foam insulation with a maximum R-value of 6.8R/in. This allows use in ceiling cavities insulated up to R60.
- Collar rotates +/- 7.5° providing precise alignment of square trims
- Serviceability: Housing is fully serviceable from below the ceiling through the aperture and accessible from above via a removable top cover.
- Ceiling Thickness: Square aluminum collar supports ceilings up to 3/4" thick (included). Optional extension collars are available to accommodate ceilings up to 2-1/2" thick.
- Overspray protector comes pre-installed to safeguard the unit from plaster and paint during installation.
- Optional knife edge rimless plaster lathing ring accessories attaches to collar providing a flush transition with the ceiling.

Thermal Management / Heat sink

- High-performance forged aluminum heat sink efficiently dissipates heat from the LED array, ensuring optimal thermal management and longer life.
- Heat sink and LED assembly are designed for convenient servicing and maintenance from below the ceiling.

Bar Hangers

- Adjusts from 10-1/2" to 24" wide with captive nail for mounting in standard and engineered lumber
- Mounting flange levels platform with ceiling
- Integral clip attaches directly to T-grid ceilings.

Junction Box

- Listed for eight #12 AWG 90°C splice conductors, four in, four out plus ground
- Seven 1/2" conduit pry-outs
- Access to junction box through panel inside of housing
- Lever nut connectors for simple and fast wiring
- Barrier for separation of low-voltage (0-10V) wires.

Adjustment

- Provides 365° rotation and 45° tilt, locks in position with #2 Phillips screwdriver.
- Z-axis adjustment 1/2" and 1"
- Translating center beam optics provides maximum light output without flashback.
- Aiming scale enables consistent setting across multiple fixtures.

LED Array

- Proximity phosphors over chip on board LEDs provide a uniform source with high-efficiency and no pixilation.
- Available in 2400K, 2700K, 3000K, 3500K, 4000K, and 5000K CCTs, 90 CRI min, R9 >50.
- 90/97 CRI color accuracy within 1 SDCM (for 12° and above distributions). L78 55,000 hours.
- Optional full-spectrum CCTs 2400K, 2700K, 3000K, 3500K, and 4000K, 98 CRI min, R1-R15 values ranging from 92-100, excellent TM-30 metrics, Rf ranging from 96-98, and Rg from 99-100; L70 55,000 hours.
- D2W™ Dim-to-Warm smoothly shifts from 3000K down to an ultra-warm 1850K as you dim, creating the cozy, relaxing glow people expect from high-end lighting—without the energy waste or heat of old sources.
- W2N™ Tunable White: 2700K to 6500K or 2000K to 5000K (90 CRI min)

- BioUp™ Melanopic Lighting in tunable white (2700K to 5000K) or static CCTs (3500K, 4000K, and 5000K) provides the biological effectiveness of natural sunlight, with color temperatures that are more comfortable for indoor environments*
- RGBW Full Color + Tunable White with Bridgelux Vesta provides color consistency across the beam angle and tunable white from 1800K to 10,000K, along the black body curve (BBL) from 1800K - 6500K.

Optic

- Polarized turn-and-lock optics enable precise alignment to the light source, facilitating quick aiming and focusing adjustments in the field.
- Designed to deliver uniform beam patterns with distribution options of 8°, 12°, 10° to 70° in 5° increments, and asymmetric patterns for versatile lighting applications.
- Asymmetric beam options in 20°x40°, 20°x50°, and 20°x60° distributions provide precise, application-driven light coverage.
- Integrated media holder accommodates one or two 2" diameter media components, including 3.0mm thick color filters, lenses, or louvers. (One media with D2W™, W2N™, BioUp™, and RGBW).

Trims

- New construction trims are available in either Knife edge rimless for plaster or millwork or Micro Flange (self-flanged) versions.
- Trims are effortlessly secured using 16 neodymium magnets for reliable installation and easy adjustments.
- A concealed tether keeps trims secured to the housing during installation or maintenance, preventing accidental drops and protecting finished spaces.
- Field-changeable open and lensed trims reflectors are offered for downlight, wall wash, or pinhole aperture configurations to suit various lighting needs.
- Lensed trims versions are wet location listed, making them suitable for use in showers, and steam room applications.
- Lens options include prismatic, diffuse, and lightly textured translucent clear finishes.
- Lensed Wall Wash trims are available in single and double wall wash designs, delivering uniform vertical illumination with minimal visible source brightness.
- Knife edge rimless plaster lathing ring accessory provides a flush transition and snaps to the plaster collar.
- Knife edge rimless plaster and millwork collar adapter accessories feature an integrated depth guide designed to ensure accurate installation and a seamless, flush transition with the ceiling
- Super Adjustable trim provides adjustable tilt between 15° and 75°, ideal for highlighting features in spaces with sloped ceilings.

Driver - Remote or integral

- Magnetically guided snap in driver for ease of maintenance with D010, DTR, DE010, 3D010 and DLE drivers.
- Standard UNV 120-277V or 347V constant current drivers provide noise-free operation in continuous, flicker-free 0-10V analog control dimming from 100% to either 1% or 0.1%.
- 120V, flicker-free dimming from 100% to <1% with phase cut control
- Driver options also include DALI, DMX, and Lutron®
- Lutron® options include EcoSystem™, Lutron® and DALI

WaveLinx Connected Lighting System

Choose from WaveLinx PRO or LITE connected solutions. Refer to WaveLinx system specifications and application guides for details.

WaveLinx PRO Tilemount Sensor Kit

- Offers daylight dimming, PIR motion sensing, scene and zone configuration, and automatic commissioning; and optional RLTS - RealTime Location Services available.
- [WaveLinx PRO Wireless Node](#)
- Provides luminaire-level control with scene and zone configuration without an integrated sensor; Connects wirelessly with daylight dimming sensor and PIR motion sensor if desired. Use with 0-10V drivers only. Note: Not compatible with 347V or Chicago plenum.

WaveLinx LITE Tilemount Sensor Kit

- Offers daylight dimming and PIR motion sensing, scene and grouping configuration.
- [WaveLinx LITE Wireless Node](#)
- Provides luminaire level control with scene and zone configuration without an integrated sensor; Connects wirelessly with daylight dimming sensor and PIR motion sensor if desired. Use with 0-10V driver only. **Note:** Not compatible with 347V or Chicago plenum.

WaveLinx Tilemount Sensor Kit (WPST & WLST)

Applications:

- Include a control module mounted on the luminaire junction box via 1/2" knock-out, and a tilemount sensor on a 54" whip; for ceiling installation by direct-mount spring clips or via mounting bracket in octagon ceiling boxes.
- May be ordered as factory installed on the luminaire, or ordered separately as a field-installed accessory kit.
- **Note: WaveLinx PRO devices are only compatible with the WaveLinx PRO system.**
- **Note: WaveLinx LITE devices are only compatible with the WaveLinx LITE system.**

Compliance

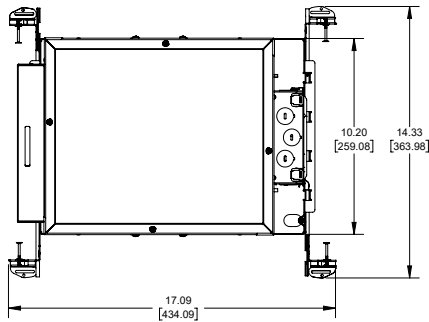
- cULus Certified to UL 1598 / C22.2 No. 250 suitable for wet locations with lensed trims (required for outdoor use); damp location with open trims
- Wet location and steam room (up to 40°C / 104°F, up to 1300 lumens; 25°C up to 2400 lumens), covered ceilings only, below the ceiling only with lensed trims
- cULus listed for 25°C ambient environments
- Insulation Contact (IC) rated (for direct contact with air permeable insulation) and non-IC rated (Refer to ordering information table.)
- Chicago Plenum (CP) IC housings are rated for closed cell spray foam insulation with a maximum R-value of 6.8R/in. This allows use in ceiling cavities insulated up to R60. (Refer to ordering information table)
- Airtight per ASTM-E283
- FCC CFR Title 47 Part 15 Class B at 120VAC and Class A at 277VAC
- Declare compliant, LBC Red List approved
- RoHS compliant
- Photometric testing in accordance with IES LM-79-08
- Lumen maintenance projections in accordance with IES LM-80-08 and TM-21-11
- Can be used for State of California Title 24 high efficacy LED compliance under JA8, reference Modernized Appliance Efficiency Database System (MAEDBS) for 2019 JA8 High Efficacy Lighting

Warranty

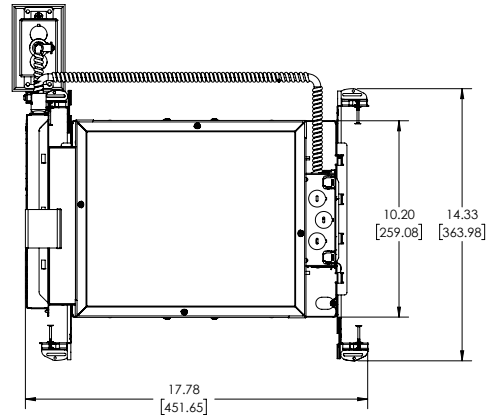
- Five year limited warranty, consult website for details. www.cooperlighting.com/legal

Dimensional and Mounting Details

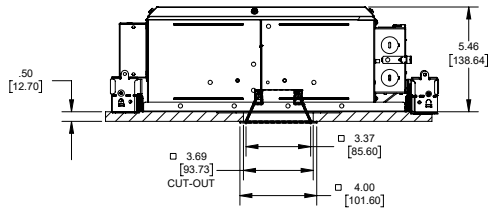
2X6 HOUSING



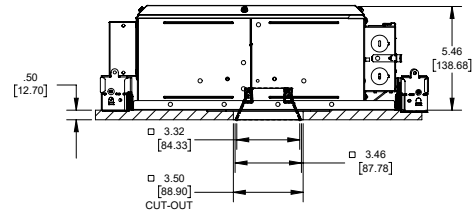
2X6 EMERGENCY HOUSING



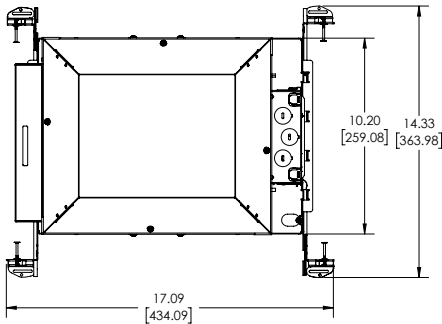
FLANGED TRIM



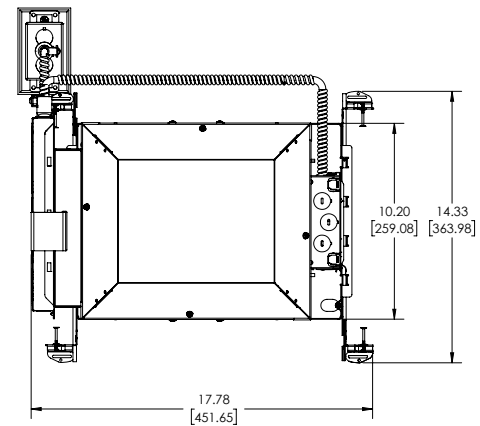
KNIFE EDGE TRIM



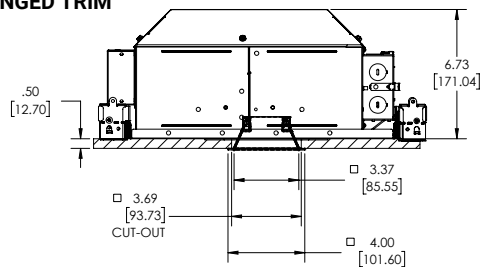
2X8 HOUSING



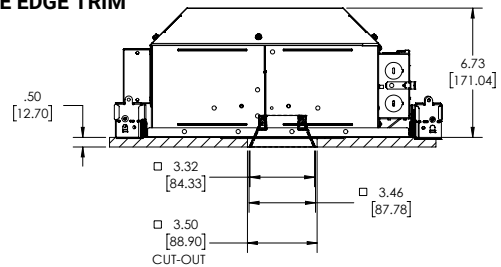
2X8 EMERGENCY HOUSING



FLANGED TRIM



KNIFE EDGE TRIM



Trim Finishes

Square Painted Finishes



Matte Black
(MB)



Matte White
(MW)

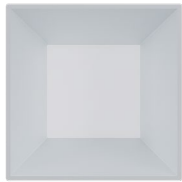


Bronze
(BZ)

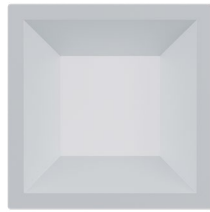


Matte Metallic Silver
(MMS)

Trim Type



Knife Edge
for Millwork and Plaster



Standard Micro Flange

Energy and Performance Data

DTR DRIVER ENERGY DATA

	250 lumen	500 lumen	900 lumen	1300 lumen	1700 lumen	2000 lumen	2400 lumen
Input Power (W)	4.2	8.7	13.5	16.5	23.3	30.1	30.8
Input Current (A)	0.04	0.07	0.11	0.14	0.19	0.24	0.26
PF	>0.9	>0.9	>0.9	>0.9	>0.9	>0.9	>0.9
THDi (%)	18.01	7.8	7.64	8.32	7.6	7.93	7.58
Inrush Current (A)	1.6	1.7	4.9	0.5	4.8	1.2	12.1
Inrush Duration (µs)	33	30	33	32	30	43	44
Sound (dBA)	<22	<22	<22	<22	<22	<22	<22

D010 DRIVER ENERGY DATA

	250 lumen		500 lumen		900 lumen		1300 lumen		1700 lumen	
	120V	277V	120V	277V	120V	277V	120V	277V	120V	277V
Input Power (W)	5.1	5.3	7.2	7.6	11.7	11.9	15.6	16.0	21.4	21.5
Input Current (A)	0.04	0.02	0.06	0.03	0.10	0.05	0.13	0.06	0.18	0.08
PF	>0.9	>0.9	>0.9	>0.9	>0.9	>0.9	>0.9	>0.9	>0.9	>0.9
THDi (%)	18.7	19.0	8.25	12.8	6.96	9.2	6.11	10.2	6.74	8.1
Inrush Current (A)	4.5	9.7	4.6	10.5	4.6	10.5	5.2	11.9	5.3	11.9
Inrush Duration (µs)	41	19	43	19	43	19	40	19	46	17
Sound (dBA)	<22	<22	<22	<22	<22	<22	<22	<22	<22	<22

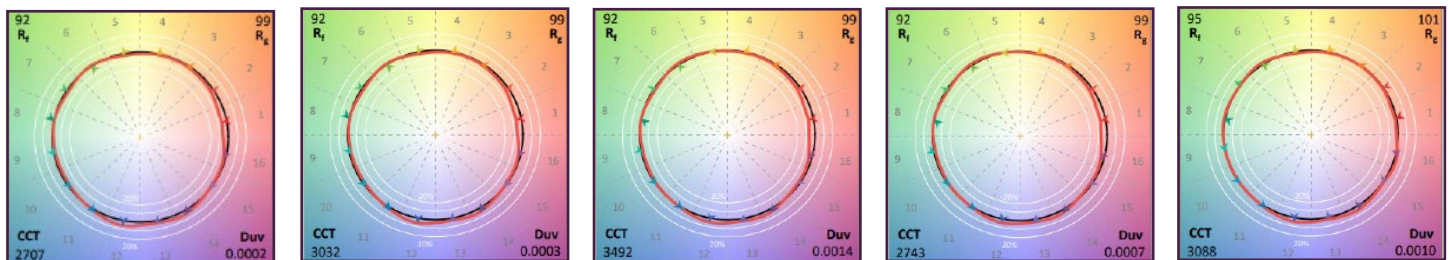
	2000 lumen		2400 lumen	
	120V	277V	120V	277V
Input Power (W)	30.6	31.9	30.3	30.1
Input Current (A)	0.26	0.13	0.25	0.11
PF	>0.9	>0.9	>0.9	>0.9
THDi (%)	9.11	7.2	8.39	7.7
Inrush Current (A)	6.3	14.7	6.1	13.6
Inrush Duration (µs)	43	21	40	16
Sound (dBA)	<22	<22	<22	<22

Minimum starting temperature -30°C (-22°F)*
(Nominal input 120-277VAC & 100% of rated output power)

Sound Rating: Class A standards

Notes:
Emergency Battery packs are rated for a minimum starting temperature of 0°C.

COLOR METRICS - TM-30-18 & CRI/CIE



92027		
TM-30-18	R _f	92
	R _g	99
	R _a	92
CRI/CIE	R ₉	50

92030		
TM-30-18	R _f	92
	R _g	99
	R _a	93
CRI/CIE	R ₉	51

92035		
TM-30-18	R _f	92
	R _g	99
	R _a	93
CRI/CIE	R ₉	58

92727		
TM-30-18	R _f	92
	R _g	99
	R _a	97
CRI/CIE	R ₉	85

92730		
TM-30-18	R _f	101
	R _g	95
	R _a	97
CRI/CIE	R ₉	83

Photometric Data

E3SQCBUS1MW		250 lm	500 lm	900 lm	1300 lm	1700 lm	2000 lm	2400 lm
R08 8° Optic	CBCP	6471	#N/A	#N/A	#N/A	#N/A	#N/A	#N/A
	Lumens	247	#N/A	#N/A	#N/A	#N/A	#N/A	#N/A
	LPW	51.0	#N/A	#N/A	#N/A	#N/A	#N/A	#N/A
	UGR*	0	0	0	0	0	0	0
R10 10° Optic	CBCP	6454	13265	19947	#N/A	#N/A	#N/A	#N/A
	Lumens	295	567	767	#N/A	#N/A	#N/A	#N/A
	LPW	78.5	71.3	61.4	#N/A	#N/A	#N/A	#N/A
	UGR*	0	0	0	0	0	0	0
R12 12° Optic	CBCP	4607	9469	13950	18381	#N/A	#N/A	#N/A
	Lumens	313	630	915	1142	#N/A	#N/A	#N/A
	LPW	85.1	83.3	78.2	73.7	#N/A	#N/A	#N/A
	UGR*	0	0	0	0	0	0	0
R15 15° Optic	CBCP	5580	11468	17245	22261	29491	38715	45417
	Lumens	315	647	959	1257	1665	2186	2564
	LPW	87.8	89.4	86.4	86.1	78.5	75.9	89.0
	UGR*	0	0	0	0	0	0	0
R20 20° Optic	CBCP	4311	8860	13322	17198	22784	29909	35087
	Lumens	305	628	974	1219	1614	2120	2486
	LPW	85.1	86.7	87.7	83.5	76.1	73.6	86.3
	UGR*	0	0	0	0	0	0	0
R25 25° Optic	CBCP	3356	6897	10372	13389	17738	23286	27317
	Lumens	330	677	989	1314	1741	2285	2681
	LPW	91.8	93.4	89.1	90.0	82.1	79.3	93.1
	UGR*	0	0	0	0	0	0	0
R30 30° Optic	CBCP	2277	4680	7038	9085	12036	15801	18536
	Lumens	307	632	977	1228	1626	2135	2504
	LPW	85.5	87.3	88.0	84.1	76.7	74.2	86.9
	UGR*	0	0	0	0	0	0	0
R35 35° Optic	CBCP	1845	3792	5702	7361	9752	12802	15018
	Lumens	307	632	965	1227	1624	2133	2502
	LPW	85.5	87.3	86.9	84.0	76.6	74.1	86.9
	UGR*	0	0	0	0	0	0	0
R40 40° Optic	CBCP	1617	3325	5000	6454	8551	11225	13168
	Lumens	341	701	1071	1361	1803	2367	2777
	LPW	95.1	96.8	96.5	93.2	85.1	82.1	96.4
	UGR*	0	0	0	0	0	0	0
R45 45° Optic	CBCP	1176	2416	3634	4691	6215	8158	9570
	Lumens	330	679	1022	1319	1748	2294	2691
	LPW	92.0	93.8	92.1	90.3	82.4	79.6	93.4
	UGR*	0	0	0.6	1.6	2.6	3.5	4.1

Photometric Data

E3SQCBUS1MW		250 lm	500 lm	900 lm	1300 lm	1700 lm	2000 lm	2400 lm
R50 50° Optic	CBCP	1100	2262	3401	4391	5816	7636	8958
	Lumens	343	706	1061	1370	1815	2381	2795
	LPW	95.5	97.5	95.6	93.8	85.6	82.7	97.0
	UGR*	0	0	0.3	1.3	2.3	3.2	3.8
R55 55° Optic	CBCP	849	1743	2621	3384	4483	5884	6903
	Lumens	321	658	990	1278	1693	2223	2608
	LPW	89.3	90.9	89.2	87.6	79.9	77.2	90.6
	UGR*	0	0.4	1.7	2.7	3.7	4.6	5.2
R60 60° Optic	CBCP	712	1463	2199	2839	3762	4938	5792
	Lumens	311	640	962	1242	1646	2161	2534
	LPW	86.6	88.4	86.7	85.1	77.7	75.0	88.0
	UGR*	0.9	3.4	4.7	5.7	6.7	7.6	8.2
R65 65° Optic	CBCP	724	1489	2239	2890	3829	5025	5896
	Lumens	293	602	904	1167	1546	2031	2381
	LPW	81.5	83.1	81.4	80.0	72.9	70.5	82.7
	UGR*	2.1	4.6	5.9	6.9	7.9	8.8	9.4
R70 70° Optic	CBCP	526	1081	1626	2099	2780	3650	4282
	Lumens	299	616	926	1196	1584	2079	2439
	LPW	83.4	85.1	83.4	81.8	74.7	72.2	84.7
	UGR*	5.6	8.1	9.4	10.4	11.4	12.3	12.9

MULTIPLIER

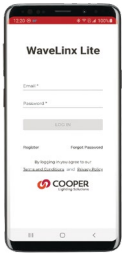
	2400K	2700K	3000K	3500K	4000K	5000K
90 CRI	0.86	0.91	0.97	1.00	1.05	1.06
97 CRI	0.83	0.86	#N/A	#N/A	#N/A	#N/A
98 CRI	#N/A	0.65	0.70	0.76	0.80	0.78

* The values are the 4H/8H 70:50:20 UGR table values (industry standard value)

Connected Systems

WaveLinx LITE - WLST Tilemount Sensor

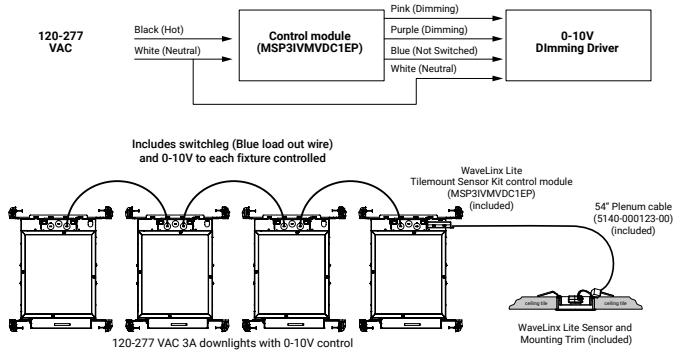
WaveLinx LITE devices only compatible with the WaveLinx LITE system.



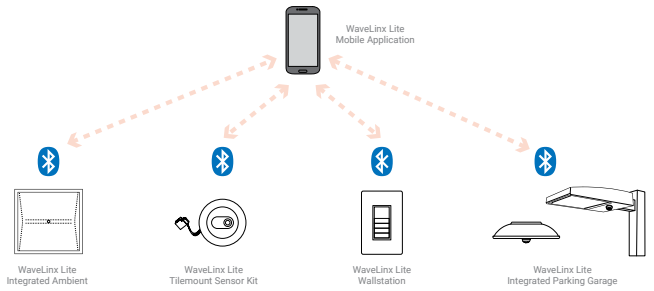
- Intuitive Android™ or Apple® iOS® app for basic system code compliant set up and configuration via Bluetooth
- Up to 28 unique areas per project site (WaveLinx LITE Bluetooth network)
- Up to 50 devices for an area, any one of 16 control zones, up to 6 occupancy sets, and custom lighting scenes
- Automatic occupancy or vacancy, sensor sensitivity, daylight dimming, etc. configurable through the app
- Refer to the WaveLinx system specifications for details



WaveLinx LITE WLST Tilemount Wiring Diagram



WaveLinx LITE Bluetooth Enabled System



WaveLinx PRO Wireless – WPST Tilemount Sensor

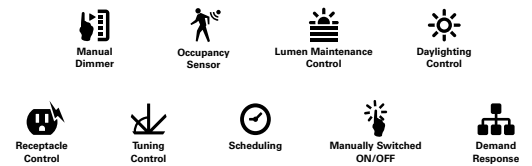
WaveLinx PRO devices only compatible with the WaveLinx PRO system.



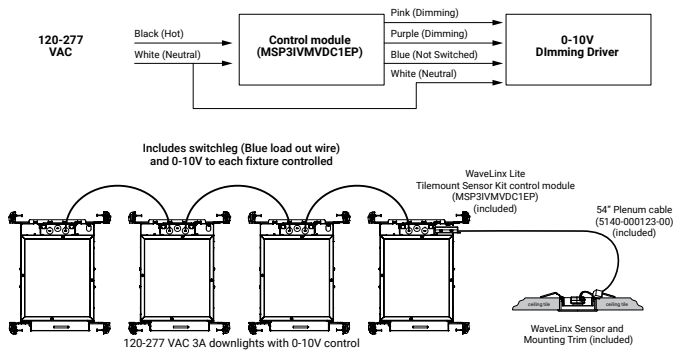
- WaveLinx PRO Wireless functionality configures zones and customizes settings from one secure mobile app
- Automatic code commissioning that meets the strictest codes
- Fixtures and sensors integrate with Wireless Area Controller, Wall Stations, and Control Devices
- Stand-Alone Offices or Entire Building Network Installations



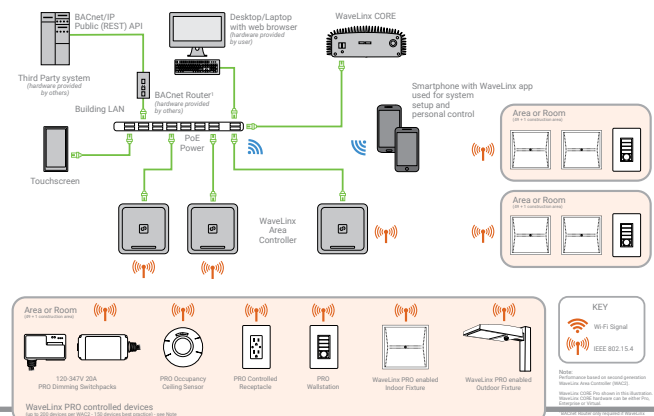
WaveLinx mobile app settings



WaveLinx PRO WPST Tilemount Wiring Diagram



WaveLinx CORE Building Management Integration



Connected Solutions



WaveLinX LITE Wireless Node - WLN

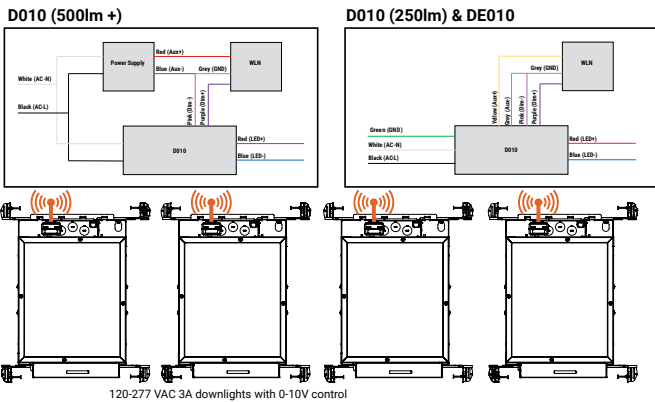
WaveLinX LITE devices only compatible with the WaveLinX LITE system.

- Intuitive Android™ or Apple® iOS® app for basic system code compliant set up and configuration via Bluetooth
- Up to 28 unique areas per project site (WaveLinX LITE Bluetooth network)
- Up to 50 devices for an area, any one of 16 control zones, up to 6 occupancy sets, and custom lighting scenes
- Refer to the WaveLinX system specifications for details
- Not available with BioUp or Tunable White

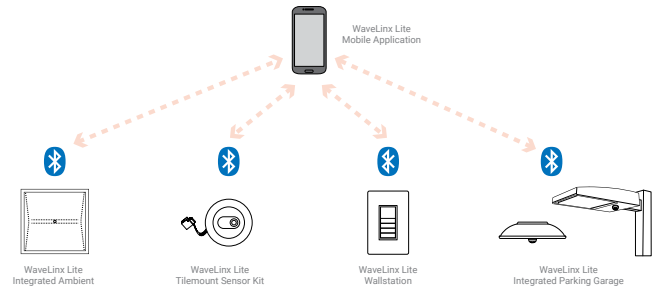
WaveLinX mobile app settings



WaveLinX LITE Wireless Node (WLN) Wiring Diagram



WaveLinX LITE Bluetooth Enabled System



WaveLinX PRO Wireless Node - WPN

WaveLinX PRO devices only compatible with the WaveLinX PRO system.



- WaveLinX Wireless functionality configures zones and customizes settings from one secure mobile app
- Automatic code commissioning that meets the strictest codes
- Fixtures and sensors integrate with WaveLinX Area Controller, Wall Stations, and Control Devices
- Stand-Alone Offices or Entire Building Network Installations

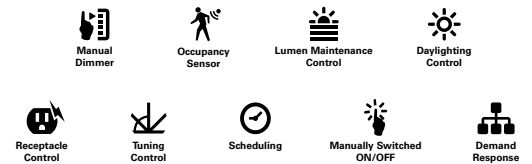
Downlights with wireless communication
Highly efficient LED fixtures

WaveLinX Area Controller
Provides centralized coordination of multiple area control options

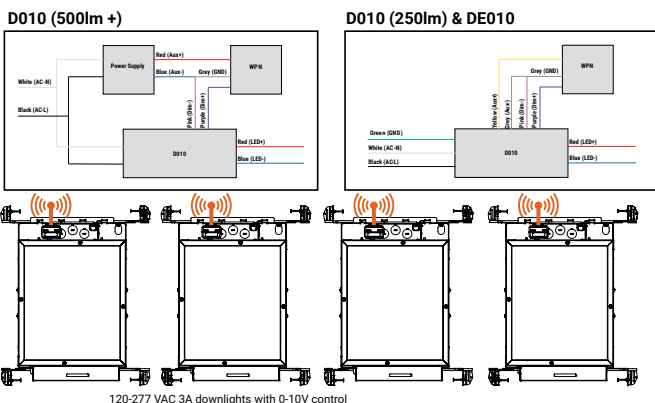
Wireless Wall Station/Receptacle
Provides customized wireless control of each area

Mobile Applications
Provides personalized, local control from a tablet or smartphone

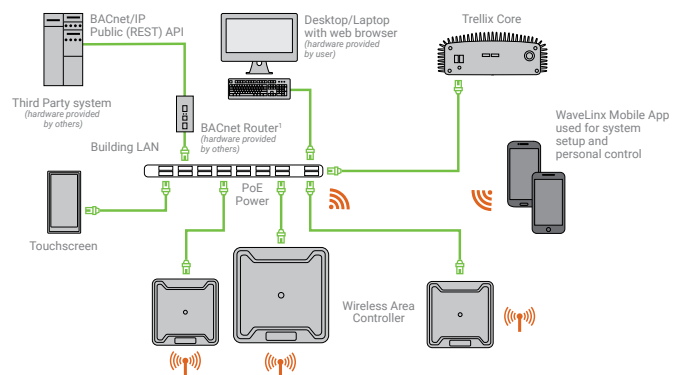
WaveLinX mobile app settings



WaveLinX PRO Wireless Node (WPN) Wiring Diagram



WaveLinX CORE Building Management Integration



Proven Research. Industry Recognized.

BioUp Melanopic Lighting



See better



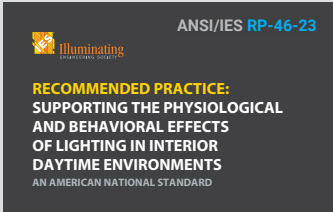
Feel better



Function better



See [BioUp brochure](#) for more details



ANSI/IES RP-46-23

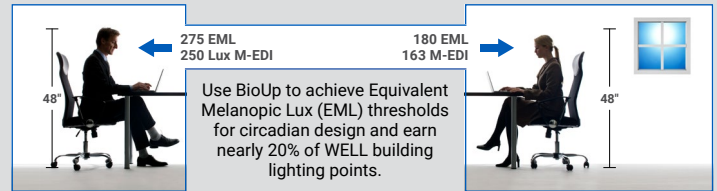
RECOMMENDED PRACTICE:
SUPPORTING THE PHYSIOLOGICAL
AND BEHAVIORAL EFFECTS
OF LIGHTING IN INTERIOR
DAYTIME ENVIRONMENTS
AN AMERICAN NATIONAL STANDARD

ANSI/IES RP-46-23 / TM18 published March 2024 based on over 40 years of research.

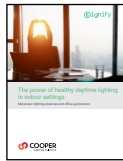
"...circadian clock synchronization is paramount to the body's efficient and appropriate functioning." – TM18



BioUp solutions maximize WELL points for Circadian Lighting Design (L03):



MDER, M-EDI and **EML** are key metrics used to quantify non-visual performance of indoor lighting systems.



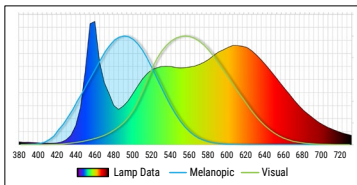
See [BioUp white paper](#) for more details

30% boost Biological impact compared to traditional LED sources

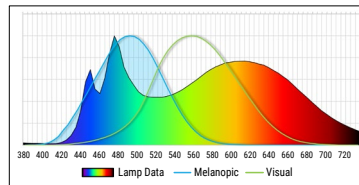
CCT	LED @ ~83 CRI	BioUp Static		BioUp Dynamic	
		MDER	CRI	MDER	CRI
2700K	0.45	-	-	0.43	95
3000K	0.50	-	-	0.57	94
3500K	0.57	0.71	90	0.71	90
4000K	0.65	0.84	87	0.84	87
5000K	0.79	1.00	84	1.00	84

MDER - Melanopic Daylight Efficacy Ratio (MDER) measures the amount of light stimulating to the melanopsin receptors.

Standard 4000K LED
MDER = .62



BioUp 4000K LED
MDER = .82

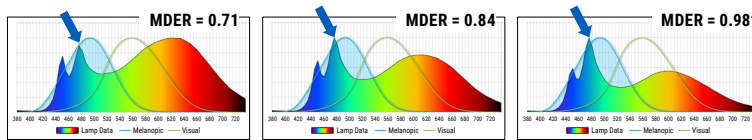


BioUp enhances the LED spectrum with cyan light at 475nm increasing the biological impact of the light to enhance our circadian rhythm which regulates our sleep/wake cycle, daytime engagement, and mood – **all without distorting visual color impression.**

Static (non-tunable)

Static BioUp is used when simple Melanopic Lighting is desired at all times.

Arrow in graph shows BioUp spectrum boost is at 475nm where non-visual biological response is enhanced.



3500K or **4000K** or **5000K**

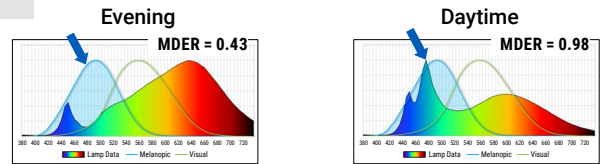
Cyan light component always present



> no CCT control needed

Dynamic - (Tunable)

Dynamic BioUp is used when Melanopic Lighting is desired to adjust during the day.



Warmer CCT Without Cyan content ← → Cooler Light With Cyan content

2700K – 5000K



> Control with Wavelinx, 2ch 0-10V, or DALI