

Catalog #		Date		Prepared by	
Project		Type		Notes	

HALO

OUTDOOR SECURITY

SEC - NEXT GEN - MOTION SECURITY FLOODLIGHT

WITH LUMEN SELECT TECHNOLOGY



Interactive Menu

- [Order Information](#) page 4
- [Product Specification](#) page 4
- [Product Warranty](#)
- [Product Dimensions](#) page 3
- [Photometric Data](#) page 5

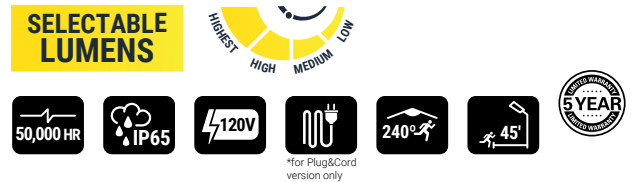
The Next Generation of Motion & Security Floodlighting is here!

The SEC Series is designed to give homeowners a smarter, more flexible way to light and protect their property.

Available in Single, Twin and Triple head configurations with matte black or white finishes, these fixtures upgrade dated outdoor lights with modern LED efficiency, selectable brightness, and tunable white color temperatures.

With three operating modes - Motion-activated, Dusk-to-Dawn, or a combination of both - and a 240° motion sensor that detects movement up to 45 feet away, the SEC Series delivers targeted, dependable outdoor security lighting that's built to last up to 50,000 hours and backed by a 5-year limited warranty.





TOP PRODUCT FEATURES



- Single, Twin & Triple head integrated LED Security Floodlights
- Choose from motion, dusk-to-dawn, or motion + dusk-to-dawn modes
- **Motion Sensor:** 240° coverage; up to 45 ft detection range
- **Brightness Control:** Selectable 25–100% light output
- **Brightness (Lumens):** Up to 1500 lm (1-head); 2500 lm (2-head); 3500 lm (3-head)
- **CCT:** 5-position selectable white (2700K, 3000K, 4000K, 5000K, 6500K)
- **Heads & Aiming:** Adjustable heads for targeted coverage of driveways, yards, and entrances
- **Mounting:** Hardwired wall or eave installation to standard outdoor junction boxes
- Wet location-listed; IP65 rated for outdoor use
- Available in matte black and white finishes
- 50,000 hrs of maintenance-free operation
- 5-year warranty

PRODUCT CERTIFICATION



CATEGORY	LUMENS	AVAILABLE TYPE	AVAILABLE FINISH
SEC1H - SINGLE HEAD 	UP TO 1500 LUMENS		
SEC2H - TWIN HEAD 	UP TO 2500 LUMENS	HARD WIRED DUSK TO DAWN + MOTION ACTIVATED	WHITE BLACK
SEC3H - TRIPLE HEAD 	UP TO 3500 LUMENS		
SEC2H - TWIN HEAD - PLUG 	UP TO 2500 LUMENS	PLUG & CORD DUSK TO DAWN + MOTION ACTIVATED	

PRODUCT FEATURE HIGHLIGHTS

SUPER BRIGHT & HIGHLY EFFICIENT:

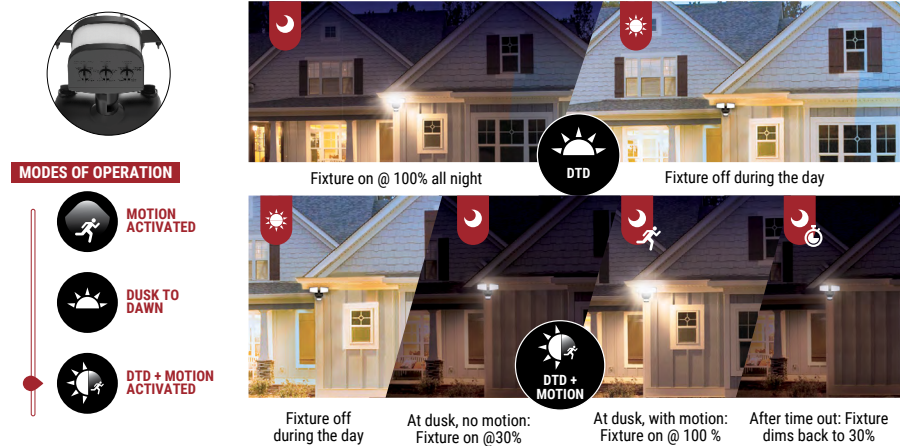
CONFIGURABLE OUTDOOR LIGHT: Flood light provides 4 brightness levels gives multiple options starting from 1500 (Single Head), 2500 Lumen (Twin Head) and 3500 Lumen (Triple Head)



5 CCT Selectable white light (2700K, 3000K, 4000K, 5000K, 6500K) for various lighting needs; Settings can be adjusted by rotation of dials



SELECT BETWEEN MODES OF OPERATIONS:



TYPICAL APPLICATIONS



RESIDENTIAL APPLICATIONS

- Garages
- Patios
- Backyards
- Barns & Sheds
- General security lighting

MOUNTING TYPES



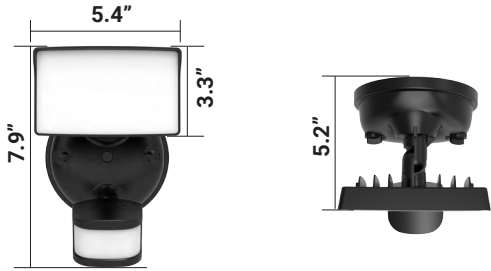
EAVE MOUNT



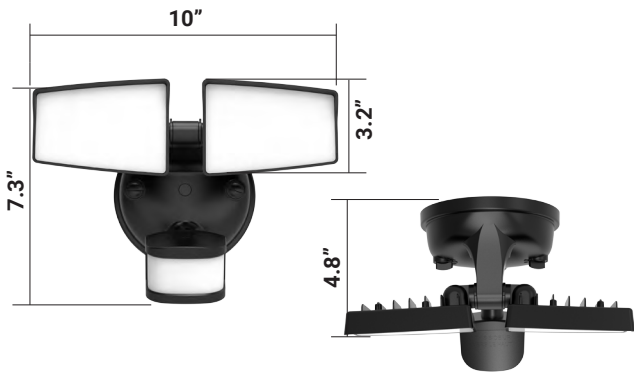
WALL MOUNT

PRODUCT DIMENSIONS

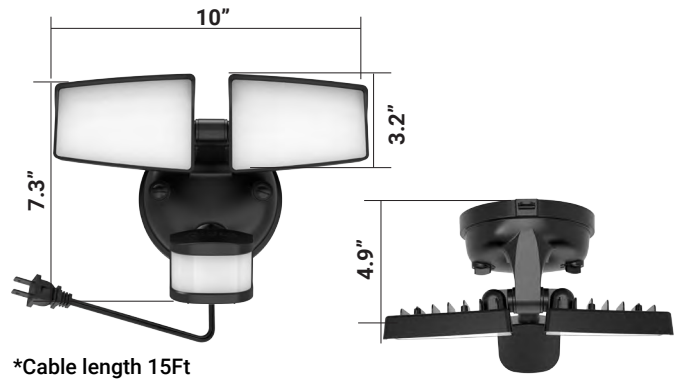
SINGLE HEAD



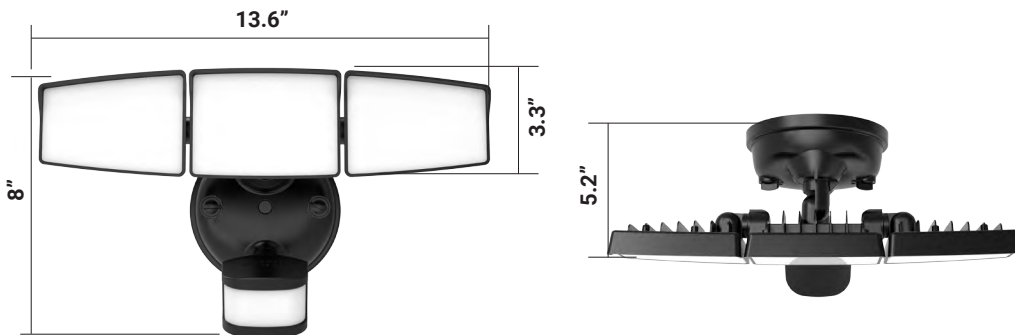
TWIN HEAD - HARDWIRE



TWIN HEAD - PLUG & CORD



TRIPLE HEAD



PRODUCT SPECIFICATIONS

Construction

- Lightweight, UV resistant polycarbonate housing
- Tool-less light head and motion sensor adjustment
- Durable & Suitable for wet locations

Installation

- Suitable for wall or eave mounting
- Mounting hardware included in the box
- Quick Connect wiring harness system makes wiring simple without requiring wire nuts

Optics

- Three Lumen Packages available: 1500 (Single), 2500 (Twin) and 3500 (Triple)
- UV resistant and Frosted lens to provide even illumination
- Square head & Integrated visors allow for visually pleasing illumination with minimal glare

Electrical

- Selectable brightness (Lumen) with Field Adjustable Output (FAO) power
- 5 Selectable light color temperature settings – 2700K/3000K/4000K/5000K/6500K
- Maintenance -free LEDs with estimated 50,000 hours lifespan based on TM-21 calculations
- Mid power LED array provides a uniform source with high efficiency and no pixelation
- Rated for ambient operating temperature range from -40°F (-40°C) to 104°F (40°C)
- Electrical operating voltage 120V AC, 60Hz
- THD ≤ 20%; Power factor ≥ 90% at 30W
- CRI >75

Integrated Controls

- 240°- degree motion sensor with detection range up to 45ft
- 3 Adjustable motion sensor settings (Sensitivity, Timer & Mode)
- Adjustable motion sensitivities (OFF, LOW, MED & HIGH)
- Adjustable auto timeout settings of 30s, 60s, 90s, 120s & 180s
- Motion Sensing Mode – Test, Motion, Motion+DTD (Dusk to Dawn), DTD (Dusk to Dawn) Settings

Compliance and Certifications

- UL certified for US and Canada for wet locations
- EMI/RFI emissions per FCC Part 15 consumer limits
- Contains no mercury or lead and RoHS compliant
- Photometric testing in accordance with IES LM-79-08
Tested to IESNA LM-79 and LM-80
- Stated life per TM21 standards
- Lumen maintenance projections:

Time (t) at which to estimate lumen maintenance (hours):	50,000
Lumen maintenances at time (t) (%):	89.40%
Reported L70 (hours):	>60,000

Finish

- Textured Black/ White Finish

Warranty

Five year limited warranty, consult website for details.
www.cooperlighting.com

ORDER INFORMATION

Catalog Number	Description	UPC*
SEC1HSHWMBLK	120V SEL1500 5CCT 27T065 MOTION 1H BLK	080083303731
SEC2HSHWMBLK	120V SEL 2500 5CCT 27T065 MOTION 2H BLK	080083304103
SEC3HSHWMBLK	120V SEL 3500 5CCT 27T065 MOTION 3H BLK	080083304127
SEC2HSPLUGMBLK	ACPLUG SEL 2500 5CCT 27T065 MOTION 2H BLK	080083304141
SEC1HSHWMWH	120V SEL1500 5CCT 27T065 MOTION 1H WH	080083304325
SEC2HSHWMWH	120V SEL 2500 5CCT 27T065 MOTION 2H WH	080083304349
SEC3HSHWMWH	120V SEL3500 5CCT 27T065 MOTION 3H WH	080083304363
SEC2HSPLUGMWH	ACPLUG SEL 2500 5CCT 27T065 MOTION 2H WH	080083304387

Don't see a product listed here? Ask about our Made to Order options for even more configurations

* Till the stock lasts.

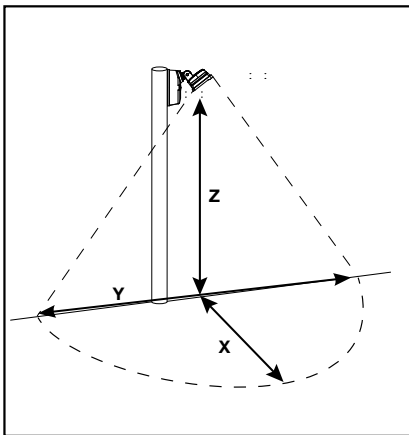
PHOTOMETRIC DATA

Configuration	Lamp Type	SKU	FAO Setting	Lumen	Power	Efficacy	Operation
Single	Hardwire	SEC1HSHWMBLK	IV (100%)	1515	12	124	Dusk to Dawn OR Motion Activated OR Dusk-to-Dawn + Motion Activated
			III (75%)	1060	9	118	
			II (50%)	727	6	121	
			I (25%)	364	3	121	
		SEC1HSHWMWH	IV (100%)	1525	12	123	
			III (75%)	1068	9	119	
			II (50%)	732	6	122	
			I (25%)	366	3	122	
Twin	Hardwire	SEC2HSHWMBLK	IV (100%)	2437	20	122	
			III (75%)	1559	15	104	
			II (50%)	1145	10	115	
			I (25%)	560	5	112	
		SEC2HSHWMWH	IV (100%)	2642	22	121	
			III (75%)	1691	15	113	
			II (50%)	1242	10	124	
			I (25%)	608	5	122	
	Plug&Cord	SEC2HSPLUGMBLK	IV (100%)	2418	20	121	
			III (75%)	1548	15	103	
			II (50%)	1137	10	114	
			I (25%)	556	5	111	
		SEC2HSPLUGMWH	IV (100%)	2595	22	118	
			III (75%)	1661	15	111	
			II (50%)	1219	10	122	
			I (25%)	597	5	119	
Triple	Hardwire	SEC3HSHWMBLK	IV (100%)	3386	28	119	
			III (75%)	2269	19	119	
			II (50%)	1592	13	122	
			I (25%)	1472	7	210	
		SEC3HSHWMWH	IV (100%)	3411	28	120	
			III (75%)	2285	19	120	
			II (50%)	1603	13	123	
			I (25%)	1483	7	212	

*LED product specification metrics are measured at the default setting of 4000K CCT

*FAO = Field Adjustable Output

SUGGESTED MOUNTING HEIGHT



Minimum Footcandles (FC)	0.50 FC					
	8'		10'		15'	
Mounting Height (Z)	X	Y	X	Y	X	Y
Catalog Number						
SEC1HSHWMBLK	14.6	27.4	15.9	30.8	16.8	32.3
SEC2HSHWMBLK	17	32.4	18.3	35.8	21	40.2
SEC3HSHWMBLK	19.1	34.2	21	38	23.6	47.6
SEC2HSPLUGMBLK	17.1	32.6	18.3	35	20.2	39.2
SEC1HSHWMWH	14.4	29.5	15.7	30.4	16.8	34.6
SEC2HSHWMWH	17.4	33.4	18.7	35.9	21.6	43.5
SEC3HSHWMWH	19.1	34.5	21.1	40.4	23.7	44.9
SEC2HSPLUGMWH	17.2	32.5	18.8	35.5	21.1	41.3

X = Forward Throw
Y = Wall Spread
Z = Mounting Heights

Notes:

Forward throw X = 1/2 Y for wall-mount applications only
See IES files for detailed photometry