

Catalog #		Date		Prepared by	
Project		Type		Notes	

# HALO™

OUTDOOR LIGHTING



## BKHD - DECORATIVE WALL LIGHT

WITH ON/OFF PHOTOCELL AND CCT SELECT & BRIGHTNESS SELECT TECHNOLOGY



DECORATIVE WALL LIGHT | BULK HEAD | 120-277V INPUT | 5CCT SELECT | LUMEN SELECT | PHOTOCELL ON/OFF | BRONZE HOUSING

The Halo Outdoor BKHD LED Decorative wall light has a small form factor that covers an existing footprint of Metal Halide and Fluorescent wall light fixtures.

### TOP PRODUCT FEATURES



- 5 Selectable light color temperatures (3000K, 3500K, 4000K, 5000K & 6500K)
- Integrated Photocell for Dusk to Dawn operation than can be turned off by manual switch operation
- Constructed of rugged die cast aluminum housing in textured bronze finish
- 50,000 hours of rated life
- UV resistant prismatic PC lens
- IP65 rated sealed against dust and water
- Universal power supply 120-277V, with 0-10V Dimmability down to 10%
- 5-year warranty

### PRODUCT CERTIFICATION



### INTERACTIVE MENU

- [Order Information](#) page 2
- [Product Dimensions](#) page 2
- [Product Specification](#) page 3
- [Product Warranty](#) page 3
- [Photometric Data](#) page 3

**TYPICAL APPLICATIONS**



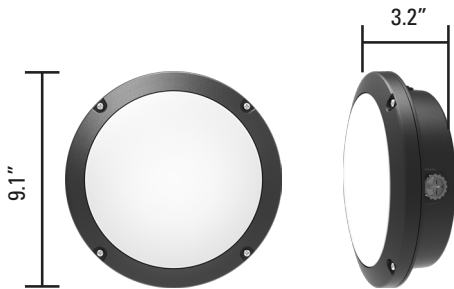
**COMMERCIAL APPLICATIONS**

- Building Entrances
- Perimeter
- Warehouse
- Commercial Office
- Strip Mall
- General Security Lighting

**ORDER INFORMATION**

Catalog Number	Description	Material no.	UPC	Case Qty	Case Dimensions (in.)			Weight (lbs)
					L	W	H	
BKHDR150CLD2D	BULK HEAD 3500LM SEL 5CCT UNV D2D BRONZE	13665586	080083293032	4	19.69	10.04	8.66	12.7

**PRODUCT DIMENSIONS**



### PRODUCT SPECIFICATIONS

#### Construction

- Durable die-cast aluminum housing suitable for wet locations
- Glare-free UV, & impact resistant PC prismatic lens
- Rust-resistant powder-coated bronze finish

#### Integrated Controls

- Dusk to Dawn (Night time on / Daytime off) via Integrated photocell sensor that can be manually turned off with switch-activated control

#### Mounting

- Easily mounts to standard recessed junction boxes
- Contains (1) 1/2-inch NPT threaded knockout on the bottom of the fixture for surface wiring

#### Electrical

- Selectable brightness (Lumen) with 30W-24W-18W power
- 5 Selectable light color temperature settings – 3000K / 3500K / 4000K / 5000K / 6500K
- Maintenance -free LEDs with estimated 50,000 hours lifespan based on LM-80 results and TM-21 calculations.
- Rated for ambient operating temperature range from -40°F (-40°C) to 104°F (40°C)
- Electrical operating voltage 120-277V, 50/60Hz
- THD ≤ 20%; Power factor ≥ 90% at 30W
- CRI >75
- 0-10V Dimmable down to 10%

#### Compliance

- UL certified for USA and Canada for wet locations
- Contains no mercury or lead - RoHS compliant (RoHS 2.0)
- IP65 Rated and sealed against dust and water perfect for demanding outdoor applications

#### Finish

- Rust-resistant textured bronze powder coat finish that provides superior resistance to weathering and corrosion

#### Warranty

- [Five year limited warranty](#), consult website for details. [www.cooperlighting.com](http://www.cooperlighting.com)

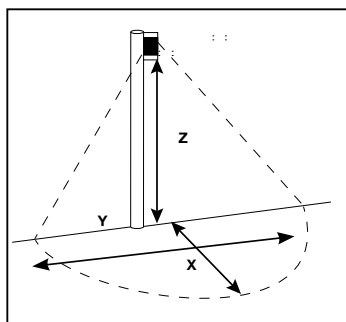
### PHOTOMETRIC DATA

Catalog Number	Power	CCT	Lumens	Efficacy	Voltage	Dimming	CRI	Lifespan	Photocell	Legacy Equivalent
BKHDR150CLD2D	30W	3000K 3500K 4000K 5000K 6500K	3500	>120	120-277V	0-10V	>75	50,000 Hrs	Integrated button photocell. Can be manually turned off using dip switch behind the cap	150W MH
	24W		2800							
	18W		2100							

### ELECTRICAL DATA

Catalog Number	Power	120V	208V	240V	277V
BKHDR150CLD2D	18W	0.147	0.09	0.082	0.076
	24W	0.199	0.118	0.105	0.095
	30W	0.255	0.148	0.13	0.117

### SUGGESTED MOUNTING HEIGHT



Minimum Footcandles (FC)		0.50 FC					
Mounting Height (Z)		8'		10'		15'	
Catalog Number	Lumens	X	Y	X	Y	X	Y
BKHDR150CLD2D	2221	16.6	33.2	17.2	35.4	19	39
	2907	17.4	33.1	18.8	39.9	20.8	41.2
	3559	18.1	34	19.4	38.3	22.5	44.8

X = Forward Throw  
Y = Wall Spread  
Z = Mounting Heights

Notes:  
Forward throw X = 1/2 Y for wall-mount applications only  
See IES files for detailed photometry