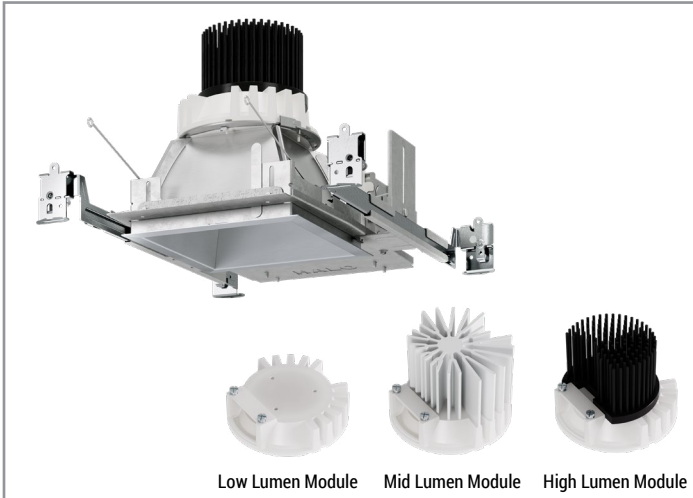


Project		Catalog #		Type	
Prepared by		Notes		Date	



Low Lumen Module Mid Lumen Module High Lumen Module

HALO Commercial

HCSQ6 | HM6 | 61SQ

6-inch Square LED downlight and wall wash

Typical Applications

Office • Healthcare • Hospitality • Institutional • Mixed-Use/Retail

Interactive Menu

- Order Information
- Product Specifications
- Photometric Data
- Energy Data
- Connected Systems

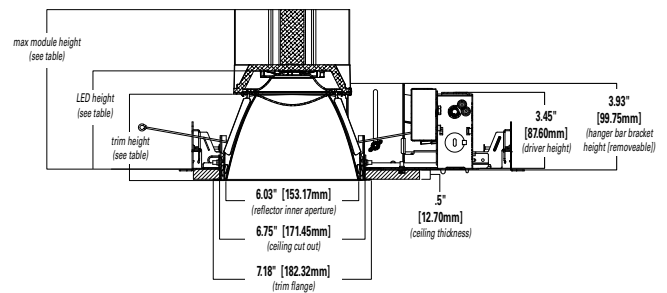
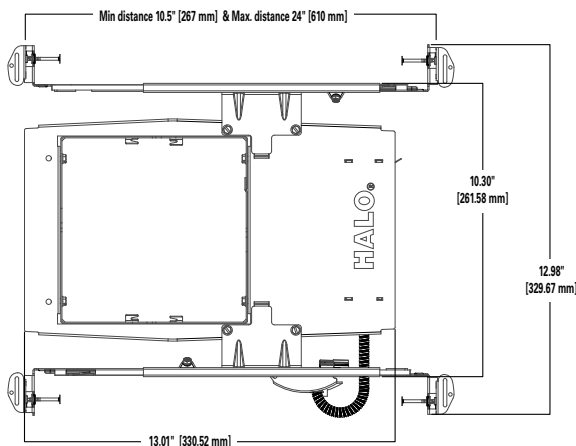


Top Product Features

- New construction/remodel series; 500 to 6,000 lumens
- Medium distribution square reflectors; Lens wall wash accessory any square reflector a wall wash
- 2700K, 3000K, 3500K, 4000K, 5000K CCT; 80 or 90 CRI
- 120V-277V UNV, 347V Canada option; 1%-100% dimming with 0-10V controls
- Mounting frame converts to remodel that installs from below the ceiling
- Emergency battery backup, Chicago Plenum, and WaveLinx connected lighting options

Dimensional and Mounting Details

additional product diagrams



Mid Lumen (3000 – 4000 Lumens)

Distribution	Max. Module Height	Trim Height	LED Height
Medium	7.24"	3.98"	4.46"

Mounting Frame Order Information

Sample Number: HCSQ620D010EM06 – HM60525835 - 61SQC

A complete luminaire consists of a housing frame, LED module, and reflector (ordered separately)

Mounting Frame	Lumens	Driver Options	Factory Installed Emergency & Connected Lighting Options	Accessories (Order & Install Separately)
<p>HCSQ6 = 6" new construction square housing</p> <p>HCSQ6CP = 6" new construction square housing, Chicago Plenum - CCEA compliant</p>	<p>05 = 500 lm</p> <p>07 = 750 lm</p> <p>10 = 1000 lm</p> <p>15 = 1500 lm</p> <p>20 = 2000 lm</p> <p>25 = 2500 lm</p> <p>30 = 3000 lm</p> <p>35 = 3500 lm</p> <p>40 = 4000 lm</p> <p>45 = 4500 lm ⁽⁷⁾</p> <p>50 = 5000 lm ⁽⁷⁾</p> <p>55 = 5500 lm ⁽⁷⁾</p> <p>60 = 6000 lm ⁽⁷⁾</p>	<p>D010=UNV 120-277V, 50/60Hz, 0-10V 1%-100% dimming at 120-277V on 0-10V controls</p> <p>Canada Option 500-4000 lumens: D010347 = 347VAC 50/60Hz 0-10V 1%-100% dimming. For 500, 750, 1000, 1500, 2000, 2500, 3000, 3500, 4000lm models only ⁽¹⁾</p> <p>Canada Option 4500-6000 lumens: D010X347 = step down transformer factory installed (with standard "D010" 120V-277V LED driver). For 4500, 5000, 5500, 6000lm models only ⁽¹⁾</p> <p>DLV = Distributed Low Voltage dimming driver 1%-100%, 500-4000 lumens only. For use with DLVP system only, refer to DLVP specifications for details. ⁽⁸⁾</p>	<p>EM06 = 6W self-test emergency battery with switch for remote or integral test, use with D010 driver only. Remote switch plate included, order IEM reflector for integral test. ⁽¹⁾⁽²⁾⁽⁶⁾</p> <p>EM14 = 14W self-test emergency battery with switch for remote or integral test, use with D010 driver only. Remote switch plate included, order IEM reflector for integral test. ⁽¹⁾⁽²⁾⁽⁶⁾</p> <p>WTA = Factory WaveLinX Tilemount Sensor Kit ⁽⁴⁾</p> <p>WTK = Factory WaveLinX LITE Commercial Tilemount Sensor Kit ⁽⁵⁾</p> <p>WPN = WaveLinX PRO Wireless Node without sensor ⁽⁹⁾</p> <p>WLN = WaveLinX LITE Wireless Node without sensor ⁽¹⁰⁾</p> <p>REM07 = 7W Emergency battery pack with remote test / indicator light, use with DLV only ⁽¹⁾⁽²⁾⁽³⁾⁽⁶⁾</p> <p>REM14 = 14W Emergency battery pack with remote test / indicator light, use with DLV only ⁽¹⁾⁽²⁾⁽³⁾⁽⁶⁾</p> <p>IEM07 = 7W Emergency battery pack with integral test / indicator light, use with DLV only ⁽¹⁾⁽²⁾⁽³⁾⁽⁶⁾</p> <p>IEM14 = 14W Emergency battery pack with integral test / indicator light, use with DLV only ⁽¹⁾⁽²⁾⁽³⁾⁽⁶⁾</p>	<p>H347 = 347 to 120V step down transformer, 75VA</p> <p>WTA = Field WaveLinX PRO Tilemount Sensor Kit ⁽⁴⁾</p> <p>WTK = Field WaveLinX LITE Commercial Tilemount Sensor Kit ⁽⁵⁾</p>
Notes	Notes	Notes	Notes	Notes
	<p>⁽⁷⁾ Marked Spacing: Center to Center of Adjacent Luminaires = 36" Center of Luminaire to Building Member = 18" Minimum overhead = 0.5</p>	<p>⁽¹⁾ Not available with CP models</p> <p>⁽⁸⁾ DLV - Maximum 4000 lumens. Not available with CP models</p>	<p>⁽¹⁾ Not available with CP models</p> <p>⁽²⁾ Not available with D010347 (347V models)</p> <p>⁽³⁾ ULus for U.S. only</p> <p>⁽⁴⁾ WTA = WaveLinX tilemount sensor kit for daylight dimming, PIR motion sensing, and optional RLTS - Real Time Location Services, use with D010 only (Refer to WaveLinX specifications)</p> <p>⁽⁵⁾ WTK = WaveLinX LITE tilemount sensor kit for daylight dimming, PIR motion sensing, use with D010 only (Refer to WaveLinX LITE specifications)</p> <p>⁽⁶⁾ Emergency battery backup options are Non-IC only, and rated for a minimum starting temperature of 0°C</p> <p>⁽⁹⁾ WPN = WaveLinX PRO wireless node provides luminaire-level control with scene and zone configuration without an integrated sensor; Connects wirelessly with daylight dimming sensor and PIR motion sensor if desired. Use with D010 UNV 0-10V dimming driver (available in 347V, maximum 4000 lumens).</p> <p>⁽¹⁰⁾ WLN = WaveLinX LITE wireless node provides luminaire-level control with scene and zone configuration without an integrated sensor; Connects wirelessly with daylight dimming sensor and PIR motion sensor if desired. Use with D010 UNV 0-10V dimming driver (available in 347V, maximum 4000 lumens).</p>	<p>⁽⁴⁾ WTA = WaveLinX PRO tilemount sensor kit for daylight dimming, PIR motion sensing, and optional RLTS - Real Time Location Services, use with D010 only (Refer to WaveLinX specifications)</p> <p>⁽⁵⁾ WTK = WaveLinX LITE tilemount sensor kit for daylight dimming, PIR motion sensing, use with D010 only (Refer to WaveLinX LITE specifications)</p>

LED Module Order Information

LED Module	Lumens	CRI/CCT	
HM6 = 6" LED Modules	<p>0525 = 500 - 2500 lumen</p> <p>3040 = 3000-4000 lumen</p> <p>4560 = 4500-6000 lumen</p>	<p>827 = 80CRI, 2700K</p> <p>830 = 80CRI, 3000K</p> <p>835 = 80CRI, 3500K</p> <p>840 = 80CRI, 4000K</p> <p>850 = 80CRI, 5000K</p>	<p>927 = 90CRI, 2700K</p> <p>930 = 90CRI, 3000K</p> <p>935 = 90CRI, 3500K</p> <p>940 = 90CRI, 4000K</p> <p>950 = 90CRI, 5000K</p>
Notes	Notes	Notes	

Trim Order Information

Reflector	Finish	Flange	Accessories
61SQ = 6" square medium distribution reflector	<p>C = Specular clear</p> <p>H = Semi-specular clear</p> <p>MW = Matte White</p> <p>MB = Matte Black</p>	<p>Blank = Polished flange standard with C & H reflectors</p> <p>Blank = White flange standard with MW reflector</p> <p>Blank = Black flange standard with MB reflector</p> <p>WF = White flange option available with C, H, & MB reflectors</p> <p>BF = Black Flange option available with C, H, & MW reflectors</p>	61SQLWW = Lens wall wash insert – for field installation in any reflector making any reflector a wall wash
Notes	Notes	Notes	Notes

IEM Reflector	Finish	Flange	Integral Emergency
61SQ = 6" square medium distribution reflector for integral emergency only	<p>C = Specular clear</p> <p>H = Semi-specular clear</p> <p>MW = Matte White</p> <p>MB = Matte Black</p>	<p>Blank = Polished flange standard with C & H reflectors</p> <p>Blank = White flange standard with MW reflector</p> <p>Blank = Black flange standard with MB reflector</p> <p>WF = White flange option available with C, H, & MB reflectors</p> <p>BF = Black Flange option available with C, H, & MW reflectors</p>	IEM = Reflector for use with integral emergency housings only. Provides access hole for emergency test switch, if integral switch is desired. Also required with IEM07 & IEM14 DLV emergency housings.
Notes	Notes	Notes	Notes

Product Specifications

Housing Frame

- Boat shaped galvanized steel plaster frame with square adjustable plaster lip
- Accommodates 1/2" to 1-1/2" thick ceilings
- Installs in new construction or from below the finished ceiling (non-accessible) for remodeling (with mounting bars removed)
- Provided with two remodel clips to secure the frame to the ceiling

Vertical Mounting Bracket

- Provides 2" vertical adjustment of mounting bars
- Accessible from above and below the ceiling
- Removable to facilitate remodeling installation from below the finished ceiling

Mounting Bars

- Adjustable pre-installed Gen 3 bar hangers adjust from 10-1/2" to 24" wide
- Integral grid clip attaches directly to T-grid
- Captive nail for framing construction
- Mounting flange levels with ceiling in framing construction

LED Module

- Proximity phosphors over chip on board LEDs provide a uniform source with high efficiency and no pixilation
- Available in 80 or 90 color rendering index (CRI)
- Color accuracy within 3 SDCM provides color consistency and uniformity
- 90 CRI option: R9>50 (refer to chromaticity information for details)
- Available in 2700K, 3000K, 3500K, 4000K and 5000K correlated color temperature (CCT)
- Lumen options include 500, 750, 1000, 1500, 2000, 2500, 3000, 3500, 4000, 4500, 5000, 5500, 6000 lumens (nominal)
- Passive thermal management achieves 60,000 hours at 70% lumen maintenance (L70) in insulated ceilings (IC) and non-IC applications
- Integral connector allows quick connection to housing flex

Reflector

- Self-flanged aluminum reflectors with medium distribution, 1.0 nominal spacing criteria
- Available in multiple painted or plated finishes
- Integral diffuse lens provides visual shielding
- Lens wall wash features a linear spread lens for alignment of vertical illumination
- Lens wall wash is an accessory insert for field installation to any 41SQ reflector
- Reflectors attach to LED module with three speed clamps

Reflector/Module Retention

- Reflector & LED module assembly is securely retained in the housing with two torsion springs

Driver

- Field-replaceable constant current driver
- Universal 120-277VAC 50/60Hz input standard
- Continuous, 1% to 100% dimming with 0-10V analog control
- Optional low-voltage DC driver for use with Distributed Low Voltage Power (DLVP) system (refer to DLVP Design Guide at www.cooperlighting.com for details)

Canada Options

- 347VAC 50/60Hz
- Continuous 1% to 100% dimming on 0-10V analog controls
- For 500, 750, 1000, 1500, 2000, 2500, 3000, 3500, 4000 lumen models only
- 347V step down transformer factory installed with the standard "D010" 120V-277V, LED driver on 4500, 5000, 5500, 6000 lumen models only

Emergency Options

- 6W and 14W emergency battery options provide 90 minutes of standby lighting; consult local and national life safety codes for egress lighting.
- Emergency test switch may be installed with included remote switchplate or integral in reflector - ordered separately. (Remote switch box, if required, is by others, consult local and national code.)
- Self-test (self-diagnostic) standard.

Connected Lighting System

Two WaveLinx connected solutions. Refer to WaveLinx website for details

www.cooperlighting.com

WaveLinx PRO Tilemount Sensor Kit

- WaveLinx PRO WTA tilemount sensor kit offers daylight dimming, PIR motion sensing, scene and zone configuration, automatic commissioning; and optional RLTS - Real Time Location Services available.

WaveLinx PRO Wireless Node

- WaveLinx PRO WPN wireless node provides luminaire-level control with scene and zone configuration without an integrated sensor; Connects wirelessly with daylight dimming sensor and PIR motion sensor if desired. Use with D010 UNV 0-10V dimming driver (available in 347V, maximum 4000 lumens).

WaveLinx LITE Tilemount Sensor Kit

- WaveLinx LITE WTK tilemount sensor kit offers daylight dimming and PIR motion sensing, scene and grouping configuration.

WaveLinx LITE Wireless Node

- WaveLinx LITE WLN wireless node provides luminaire level control with scene and zone configuration without an integrated sensor; Connects wirelessly with daylight dimming sensor and PIR motion sensor if desired. Use with D010 UNV 0-10V dimming driver (available in 347V, maximum 4000 lumens).

WaveLinx Tilemount Kits Application

- The WTA and WTK tilemount kits include a control module mounted on the luminaire junction box via 1/2" knock-out, and a tilemount sensor on 54-inch whip; for ceiling installation by direct-mount spring clips or via mounting bracket in octagon ceiling boxes.
- The WTA and WTK tilemount kits may be ordered as factory installed on the luminaire, or ordered separately as a field installed accessory kit.
- **Note: WaveLinx PRO devices are only compatible with the WaveLinx PRO system.**
- **Note: WaveLinx LITE devices are only compatible with the WaveLinx LITE system.**

Junction Box

- Galvanized steel junction box
- 20 in³ internal volume excluding voltage barrier
- 25 in³ internal total volume
- Voltage barrier for 0-10V dimming wires (occupies one 1/2" pry-out space)
- Listed for eight #12 AWG (four in, four out) 90°C conductors and feed-thru branch wiring
- Three 1/2" and two 3/4" trade size pry-outs available
- Three 4-port push wire nuts for mains voltage with 1-port for fixture connection

Compliance

- cULus Certified to UL 1598 / C22.2 No. 250.0, suitable for damp locations and wet locations in covered ceilings only
 - Emergency options provided with UL Listed emergency drivers to UL 924 / C22.2 No. 141, suitable for indoor/damp locations
 - IP20 - Above finished ceiling; IP65 - Below finished ceiling
 - Non-Insulated ceiling (Non-IC) rated for 2500, 3000, 3500, 4000, 4500, 5000, 5500, 6000 lumen models (insulation must be kept 3" from top and sides)
 - Insulated ceiling (IC) rated for 500, 750, 1000, 1500, 2000 lumen models and suitable for direct contact with air permeable insulation* (IC models are also suitable for Non-IC installations)
 - Non-IC marked spacing required for 4500, 5000, 5500, 6000 lumen models
 - Marked Spacing Center to Center of Adjacent Luminaires = 36"
 - Center of Luminaire to Building Member = 18"
 - Minimum overhead = 0.5"
 - Airtight per ASTM-E283-04
 - Suitable for use in clothes closets when installed in accordance with the NEC 410.16 spacing requirements
 - EMI/RFI emissions FCC CFR Title 47 Part 15 Class A at 120/277V
 - Contains no mercury or lead and RoHS compliant
 - Photometric testing completed in accordance of IES LM-79-08
 - Lumen maintenance projection in accordance of IES LM-80-08 and TM-21-11
 - 500, 750, 1000 and 1500 lumen, 90 CRI, ICAT models may be used to comply with State of California Title 24 residential code, per JA8 certification standards
 - May be used to comply with State of California Title 24 non-residential code as a dimmable LED luminaire
 - ENERGY STAR® certified models available, reference certified light fixtures database for listed models
- *Not for use in direct contact with spray foam insulation, consult NEMA LSD57-2013

Warranty

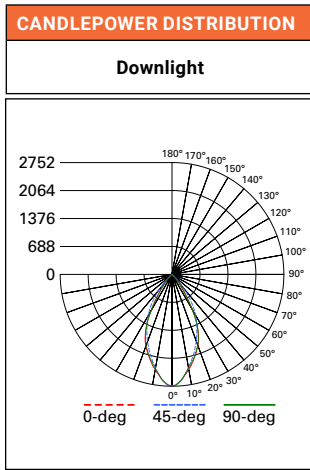
- Five year limited warranty, consult website for details. www.cooperlighting.com/legal

Photometric Data

View IES files

MEDIUM DISTRIBUTION - SPECULAR CLEAR FINISH, 2000 LUMEN MODEL, 80 CRI, 3500K

MEDIUM (50° BEAM*)	
Test Number	P838424
Housing	HCSQ620D010
Module	HM60525835
Reflector	61SQC
Lumens	2062 Lm
Efficacy	103.1 Lm/W
SC	0.81
UGR	11



CONE OF LIGHT				
MH	FC	L	W	
5.5'	91	4.4	4.4	
7'	56.2	5.6	5.6	
8'	43	6.4	6.4	
9'	34	7.4	7.2	
10'	27.5	8.2	8	
12'	19.1	9.8	9.6	

CANDELA TABLE	
Degrees Vertical	Candela
0	2752
5	2630
15	2135
25	1536
35	522
45	97
55	13
65	5
75	2
85	1
90	0

ZONAL LUMEN SUMMARY		
Zone	Lumens	% Fixture
0-30	1500	72.7
0-40	1921	93.2
0-60	2054	99.6
0-90	2062	100
90-180	0	0
0-180	2062	100

LUMINANCE	
Average Candela Degrees	Average 0° Luminance
45	5931
55	968
65	469
75	299
85	445

*Value are nominal with specular clear reflectors, other finishes and field results may vary.
 SC = Spacing Criteria
 UGR = Unified Glare Rating

To estimate lumen output in emergency mode, multiply nominal battery wattage by LPW. Example: 6W x 115 LPW = 690 Lumens.

Photometric Multipliers (Nominal Lumen Values)

500 Lumen	750 Lumen	1000 Lumen	1500 Lumen	2000 Lumen	2500 Lumen	3000 Lumen	3500 Lumen
0.33	0.44	0.54	0.74	1.00	1.24	1.54	1.85

4000 Lumen	4500 Lumen	5000 Lumen	5500 Lumen	6000 Lumen
2.15	2.28	2.44	2.52	2.62

Multipliers for relative lumen values with other series models.

Color Finish Multipliers

Finish code	C	H	W	BB
Finish	Specular Clear	Semi-Specular	Matte White	Black Baffle (lower cone)
Multiplier	1.00	0.94	0.88	0.76

Multipliers for relative lumen values with other color finishes.

CCT Multipliers – 80CRI

2700K	3000K	3500K	4000K
0.89	0.96	1.00	1.03

Multipliers for relative lumen values with other series color temperatures.

CCT Multipliers – 90CRI

2700K	3000K	3500K	4000K
0.76	0.85	0.89	0.93

Multipliers for relative lumen values with other series color temperatures.

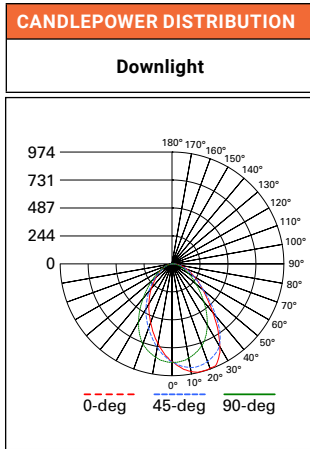
Note: Refer to IES files for more product data.

Photometric Data

[View IES files](#)

WALL WASH DISTRIBUTION - SPECULAR CLEAR FINISH, 2000 LUMEN MODEL, 80 CRI, 3500K

WALL WASH	
Test Number	P838426
Housing	HCSQ620D010
Module	HM60525835
Reflector	HCD6TQSH-HCD6TSQLWW
Lumens	1623 Lm
Efficacy	81.2 Lm/W
SC	1.08



CANDELA TABLE	
Degrees Vertical	Candela
0	858
5	916
15	972
25	930
35	678
45	418
55	269
65	163
75	86
85	27
90	0

ZONAL LUMEN SUMMARY		
Zone	Lumens	% Fixture
0-30	628	38.7
0-40	960	59.2
0-60	1416	87.2
0-90	1623	100
90-180	0	0
0-180	1623	100

LUMINANCE	
Average Candela Degrees	Average 0° Luminance
45	57294
55	45484
65	37295
75	32339
85	29678

SC = Spacing Criteria, nominal for specular clear reflector, other finishes and field results may vary.

To estimate lumen output in emergency mode, multiply nominal battery wattage by LPW. Example: 6W x 115 LPW = 690 Lumens.

SINGLE UNIT FOOTCANDLES							
2.5' from wall (distance from fixture along wall)							
1	17.5	12.8	6.1	2.5	1.1	0.5	0.3
2	24.1	19.3	10.5	4.8	2.2	1.1	0.6
3	22.7	19.3	12.1	6.2	3	1.6	0.9
4	18.1	16.2	11.5	6.6	3.5	1.9	1.1
5	12.9	11.8	9.3	6.1	3.5	2	1.2
6	8.8	8.2	6.9	5.1	3.3	2	1.2
7	5.9	5.6	4.9	3.9	2.8	1.9	1.2
8	4.1	4	3.6	3	2.3	1.7	1.2
9	3	2.9	2.6	2.3	1.9	1.4	1.1
10	2.2	2.2	2	1.8	1.5	1.2	1

MULTIPLE UNIT FOOTCANDLES						
2.5' from wall (Distance from fixture along 3')			2.5' from wall (Distance from fixture along 4')			
1	20	18.2	20	18.6	12.2	18.6
2	28.9	29.4	28.9	26.3	21	26.3
3	28.9	31.9	28.9	25.7	24.2	25.7
4	24.7	28.4	24.7	21.6	23	21.6
5	19	21.4	19	16.5	18.6	16.5
6	13.8	15.2	13.8	12.1	13.7	12.1
7	9.8	10.6	9.8	8.7	9.8	8.7
8	7.1	7.6	7.1	6.4	7.1	6.4
9	5.3	5.6	5.3	4.9	5.3	4.9
10	4	4.2	4	3.7	4	3.7

Photometric Multipliers (Nominal Lumen Values)

500 Lumen	750 Lumen	1000 Lumen	1500 Lumen	2000 Lumen	2500 Lumen	3000 Lumen	3500 Lumen
0.33	0.44	0.54	0.74	1.00	1.24	1.54	1.85

4000 Lumen	4500 Lumen	5000 Lumen	5500 Lumen	6000 Lumen
2.15	2.28	2.44	2.52	2.62

Multipliers for relative lumen values with other series models.

Color Finish Multipliers

Finish code	C	H	W	BB
Finish	Specular Clear	Semi-Specular	Matte White	Black Baffle (lower cone)
Multiplier	1.00	0.94	0.88	0.76

Multipliers for relative lumen values with other color finishes.

CCT Multipliers – 80CRI

2700K	3000K	3500K	4000K
0.89	0.96	1.00	1.03

Multipliers for relative lumen values with other series color temperatures.

CCT Multipliers – 90CRI

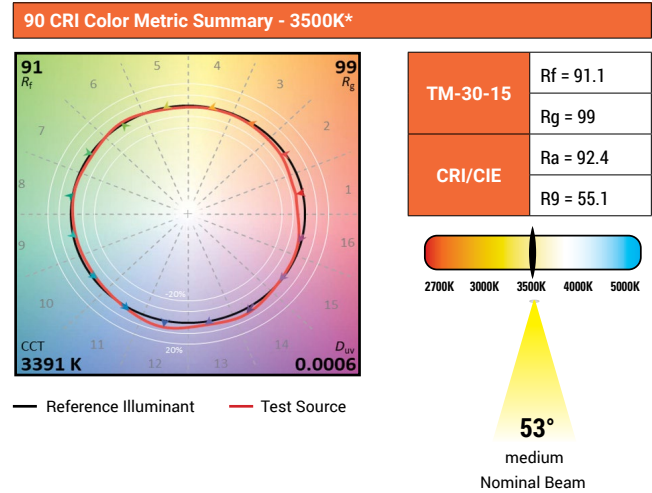
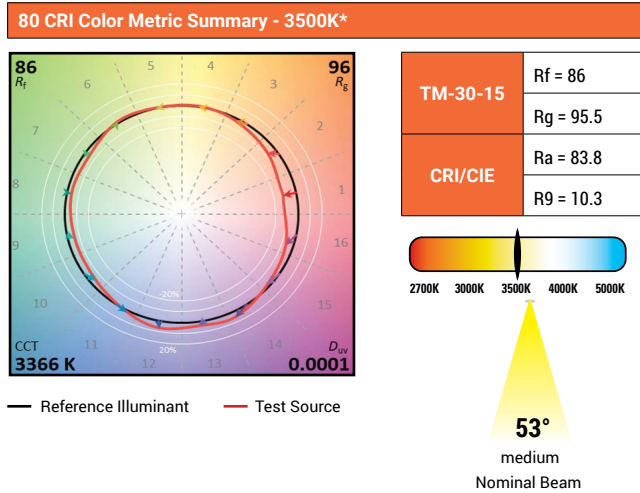
2700K	3000K	3500K	4000K
0.76	0.85	0.89	0.93

Multipliers for relative lumen values with other series color temperatures.

Note: Refer to IES files for more product data.

Energy & Performance Data

COLOR METRICS - TM-30-15 & CRI/CIE (3500K)



* Color values are based on 61SQC reflector, other finishes and field results may vary.

ENERGY DATA

Series	500 lumen		750 lumen		1000 lumen		1500 lumen		2000 lumen	
	120V	277V	120V	277V	120V	277V	120V	277V	120V	277V
Input Voltage 120-277VAC	120V	277V	120V	277V	120V	277V	120V	277V	120V	277V
Input Current (A)	0.051	0.026	0.067	0.036	0.083	0.039	0.119	0.053	0.171	0.077
Input Power (W)	6.1	6.5	7.9	8.3	10	10.4	14.5	14.5	20.9	20.6
In-rush (A)	1.9	8.4	2	8.4	2.2	8.5	2.7	8.5	2.1	9.7
Inrush duration (µs)	251	135	237	133	250	134	250	139	245	131
THD (%)	6.2	13.5	7.4	8.8	5.4	10.3	10	6.7	6.5	7.9
PF	≥ 0.99	≥ 0.9	≥ 0.98	≥ 0.92	≥ 0.99	≥ 0.95	≥ 0.99	≥ 0.97	≥ 0.99	≥ 0.96

Series	2500 lumen		3000 lumen		3500 lumen		4000 lumen		4500 lumen	
	120V	277V	120V	277V	120V	277V	120V	277V	120V	277V
Input Voltage 120-277VAC	120V	277V	120V	277V	120V	277V	120V	277V	120V	277V
Input Current (A)	0.23	0.103	0.24	0.107	0.292	0.152	0.351	0.159	0.384	0.172
Input Power (W)	27.5	27.5	28.6	28.5	34.6	35.1	42.1	42.1	45.9	45.6
In-rush (A)	2.5	5.6	2.5	11.6	3.4	13.9	3.1	14.7	3.1	14.8
Inrush duration (µs)	232	123	216	111	183	95	200	98	202	100
THD (%)	6.5	8.1	7.8	8.3	5.6	10	4.1	9.5	4.5	8.5
PF	≥ 0.99	≥ 0.96	≥ 0.99	≥ 0.96	≥ 0.99	≥ 0.93	≥ 0.99	≥ 0.94	≥ 0.99	≥ 0.95

Series	5000 lumen		5500 lumen		6000 lumen	
	120V	277V	120V	277V	120V	277V
Input Voltage 120-277VAC	120V	277V	120V	277V	120V	277V
Input Current (A)	0.419	0.186	0.457	0.201	0.489	0.214
Input Power (W)	50.1	49.5	54.6	53.7	58.4	57.4
In-rush (A)	3.1	15	3.2	14.8	3.4	14.8
Inrush duration (µs)	202	117	196	131	192	121
THD (%)	5.5	7.6	7	7.2	8.1	7.2
PF	≥ 0.99	≥ 0.96	≥ 0.99	≥ 0.96	≥ 0.99	≥ 0.97

Minimum starting temperature -30°C (-22°F)*
(Nominal input 120-277VAC & 100% of rated output power)

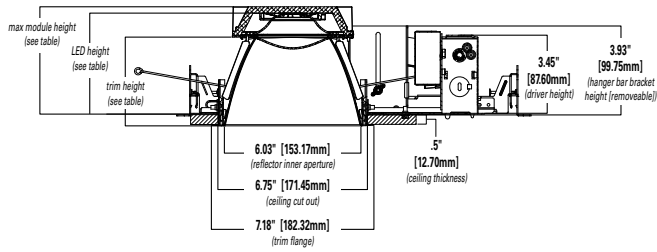
Sound Rating: Class A standards

Notes:

* Emergency Battery packs are rated for Non-Insulated ceiling installation, and have a minimum starting temperature of 0°C.

Dimensional and Mounting Details

NEW CONSTRUCTIONS - LOW LUMEN 500 – 2500 LUMENS



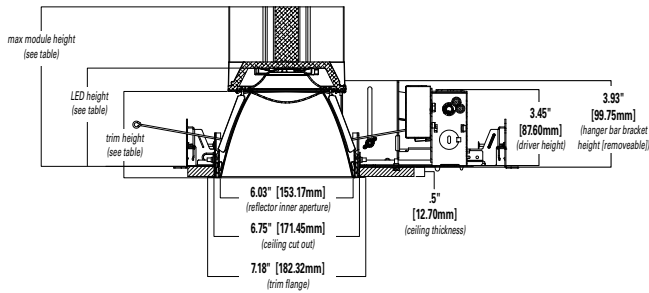
Low Lumen (500 – 2500 Lumens)

Distribution	Max. Module Height	Trim Height	LED Height
Medium	4.74"	3.98"	4.46"



Low Lumen Module

NEW CONSTRUCTIONS - MID LUMEN 3000 – 4000 LUMENS



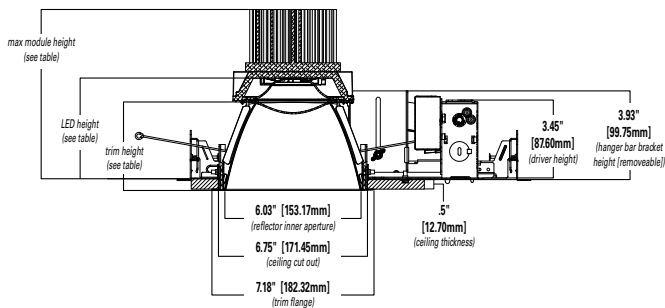
Mid Lumen (3000 – 4000 Lumens)

Distribution	Max. Module Height	Trim Height	LED Height
Medium	7.24"	3.98"	4.46"



Mid Lumen Module

NEW CONSTRUCTIONS - HIGH LUMEN 4500 – 6000 LUMENS

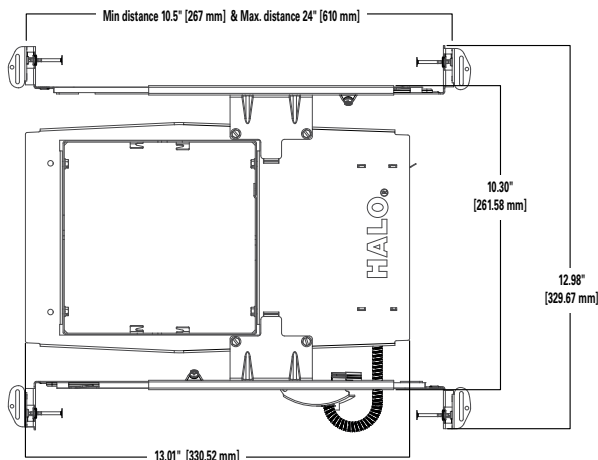


High Lumen (4500 – 6000 Lumens)

Distribution	Max. Module Height	Trim Height	LED Height
Medium	7.49"	3.98"	4.46"

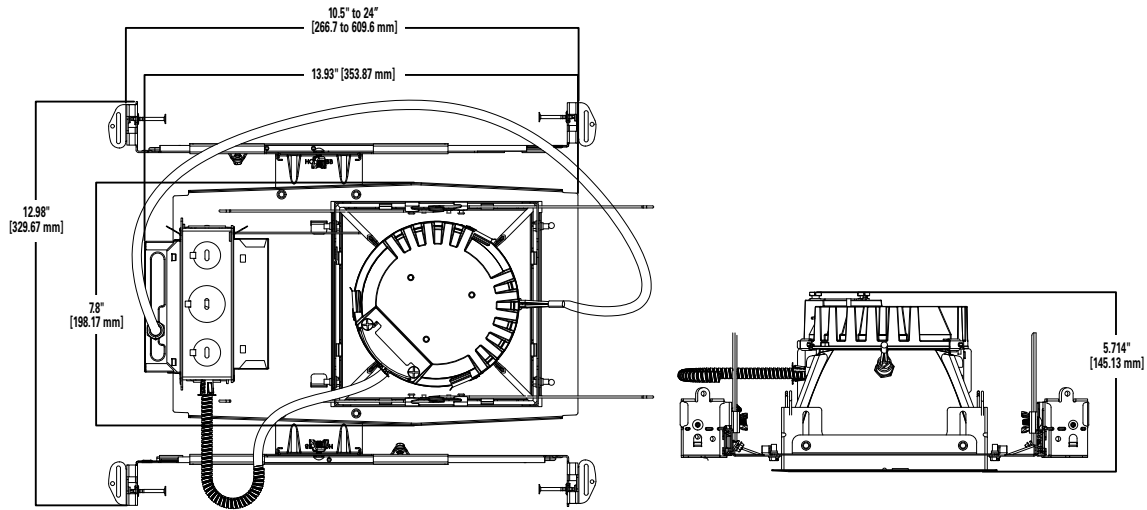


High Lumen Module

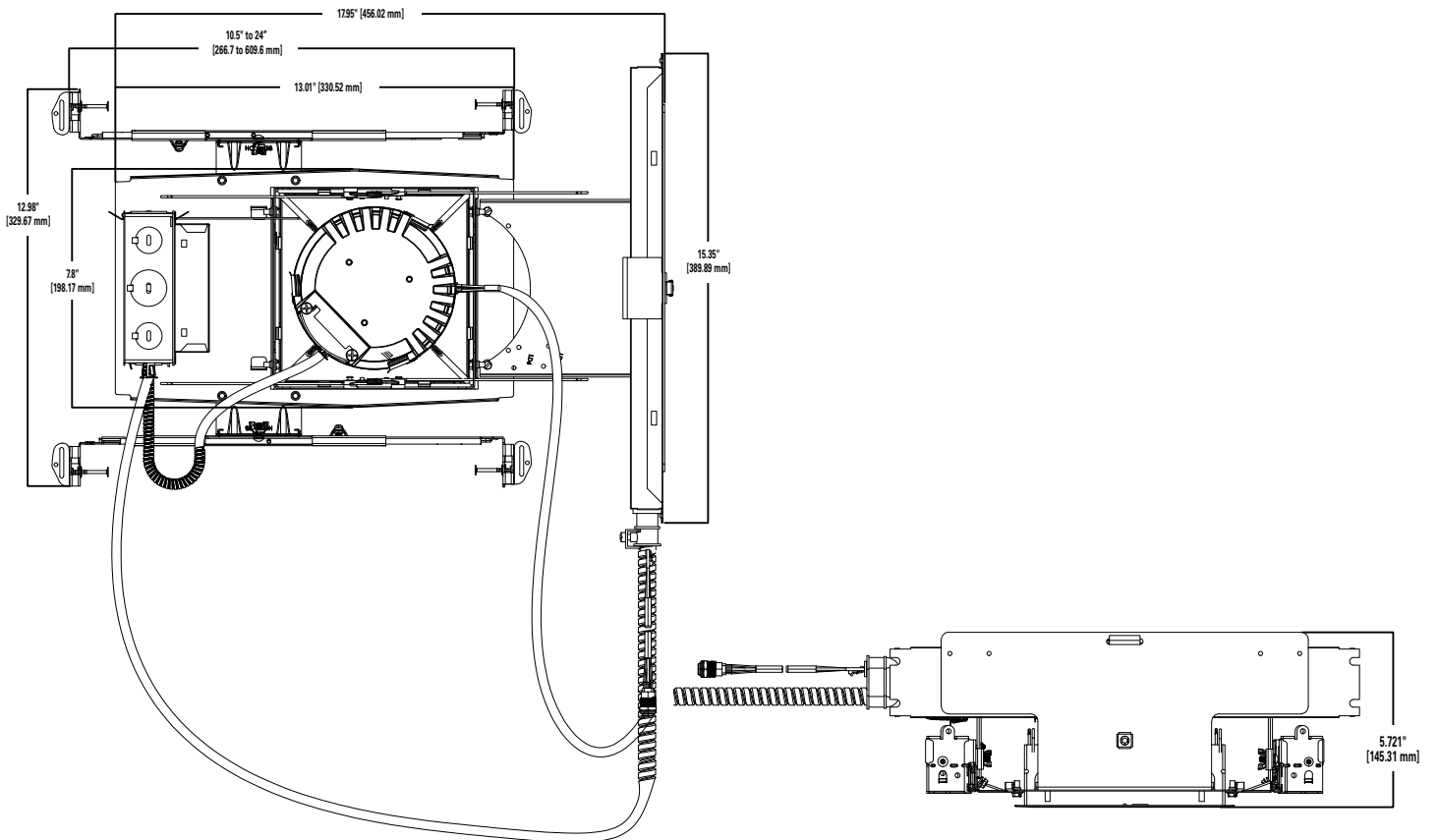


Dimensional and Mounting Details

HCSQ6 EMERGENCY 6 WATT



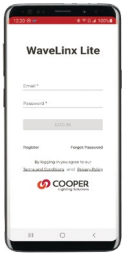
HCSQ6 EMERGENCY 14 WATT



Connected Solutions

WaveLinx LITE - WTK Tilemount Sensor

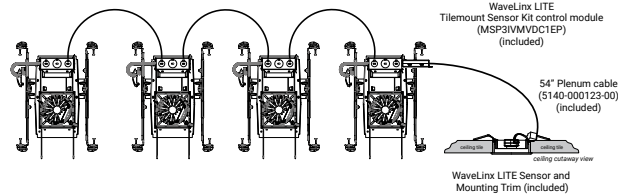
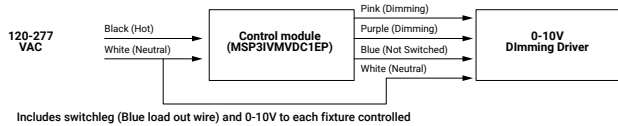
WaveLinx LITE devices only compatible with the WaveLinx LITE system.



- Intuitive Android™ or Apple® iOS® app for basic system code compliant set up and configuration via Bluetooth
- Up to 28 unique areas per project site (WaveLinx LITE Bluetooth network)
- Up to 50 devices for an area, any one of 16 control zones, up to 6 occupancy sets, and custom lighting scenes
- Automatic occupancy or vacancy, sensor sensitivity, daylight dimming, etc. configurable through the app
- Refer to the WaveLinx system specifications for details



WaveLinx LITE WTK Tilemount Wiring Diagram

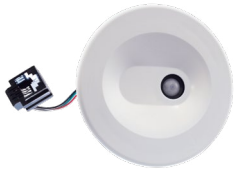


WaveLinx LITE Bluetooth Enabled System



WaveLinx PRO – WTA Tilemount Sensor

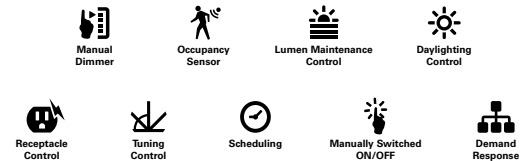
WaveLinx PRO devices only compatible with the WaveLinx PRO system.



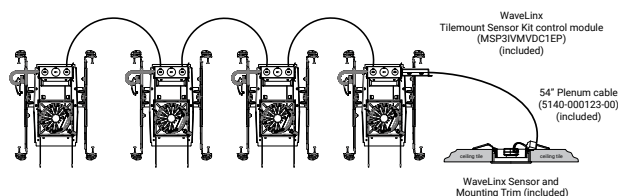
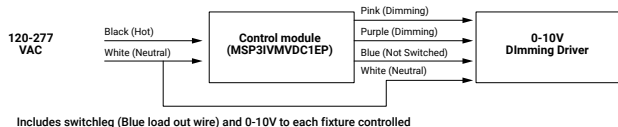
- WaveLinx PRO tilemount functionality configures zones and customizes settings from one secure mobile app
- Automatic code commissioning that meets the strictest codes
- Fixtures and sensors integrate with Wireless Area Controller, Wall Stations, and Control Devices
- Stand-Alone Offices or Entire Building Network Installations



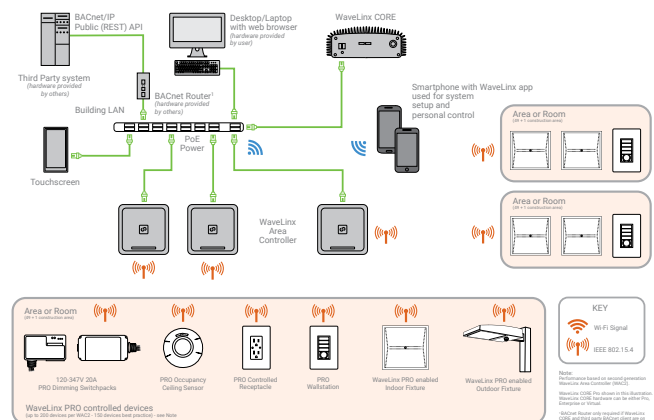
WaveLinx mobile app settings



WaveLinx WTA Tilemount Wiring Diagram



WaveLinx CORE Building Management Integration



Connected Solutions



WaveLinX LITE Wireless Node - WLN

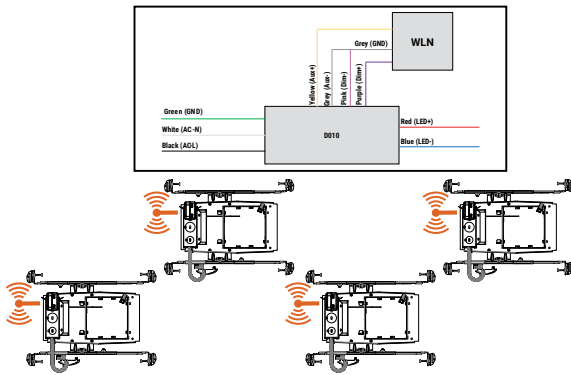
WaveLinX LITE devices only compatible with the WaveLinX LITE system.

- Intuitive Android™ or Apple® iOS® app for basic system code compliant set up and configuration via Bluetooth
- Up to 28 unique areas per project site (WaveLinX LITE Bluetooth network)
- Up to 50 devices for an area, any one of 16 control zones, up to 6 occupancy sets, and custom lighting scenes
- Refer to the WaveLinX system specifications for details

WaveLinX mobile app settings



WaveLinX LITE Wireless Node (WLN) Wiring Diagram



WaveLinX LITE Bluetooth Enabled System

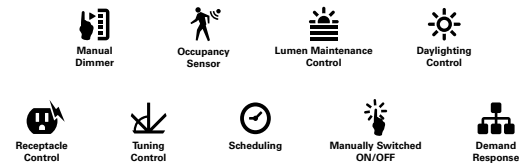


WaveLinX PRO Wireless Node - WPN

WaveLinX PRO devices only compatible with the WaveLinX PRO system.

- WaveLinX Wireless functionality configures zones and customizes settings from one secure mobile app
- Automatic code commissioning that meets the strictest codes
- Fixtures and sensors integrate with WaveLinX Area Controller, Wall Stations, and Control Devices
- Stand-Alone Offices or Entire Building Network Installations

WaveLinX mobile app settings



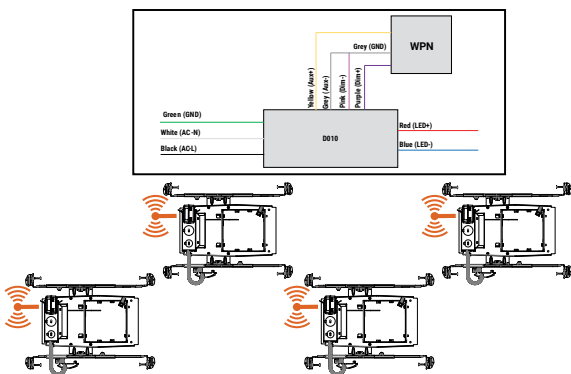
Downlights with wireless communication
Highly efficient LED fixtures

WaveLinX Area Controller
Provides centralized coordination of multiple area control options

Wireless Wall Station/Receptacle
Provides customized wireless control of each area

Mobile Applications
Provides personalized, local control from a tablet or smartphone

WaveLinX PRO Wireless Node (WPN) Wiring Diagram



WaveLinX CORE Building Management Integration

