

Project		Catalog #		Type	
Prepared by		Notes		Date	



HALO

HU30M

Modular High Performance LED Under Cabinet

Typical Applications
Residential • Commercial

Interactive Menu

- Order Information [page 2](#)
- Product Specifications [page 4](#)
- Product Warranty

Product Features



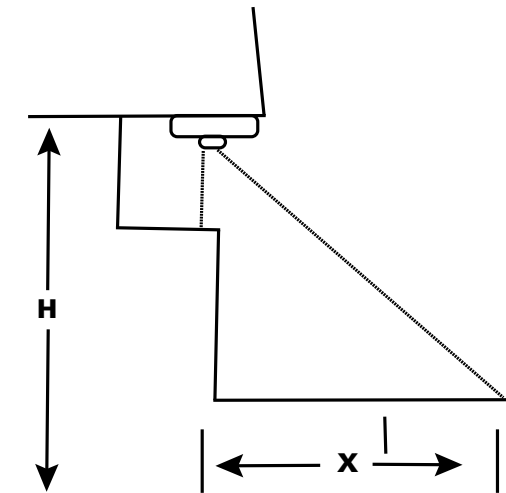
Top Product Features

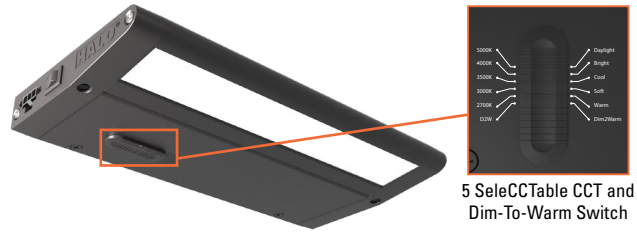
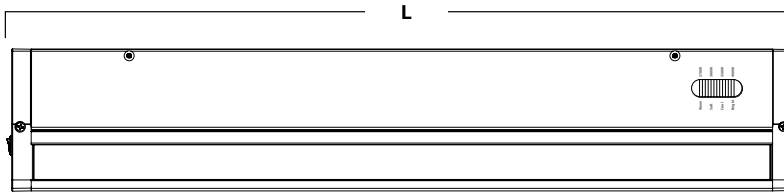
- 5 selectable color temperatures: 2700K, 3000K, 3500K, 4000K and 5000K, 90 CRI
- Dim-To-Warm range: 2700K to 1800K (120V only)
- Field installable modular PIR Motion sensor accessory adds convenience and energy savings
- Field installable modular USB-A accessory port charges smart devices
- Universal voltage operates at 120V - 277V
- Smooth, continuous (ELV/TRIAC) dimming down to 5% at 120V with compatible dimmers
- 3/4" Sleek profile and even light distribution with low glare optics

Dimensional and Mounting Details

Mounting Height H (ft)	Maximum PIR Detection Distance ^A X (ft)
2	3.5
4	5.7
6	6.5

^A Actual detection distance may vary based on multiple factors including but not limited to angle of moving object and reflectivity of surrounding surfaces. Table is provided for guidance purposes only.





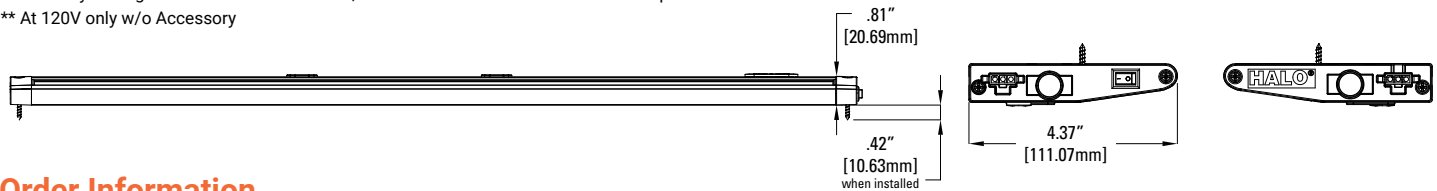
5 SeleCCTable CCT and Dim-To-Warm Switch

Size Description	9 in. Nominal	18 in. Nominal	24 in. Nominal	36 in. Nominal	48 in. Nominal
Length "L"	8.98"[228.1mm]	16.55"[420.4mm]	23.98"[609.1mm]	32.44"[824mm]	47.18"[1,198.4mm]
Wattage*	3.6	6.8	9.4	12.7	17.3
Lumens*	245	490	670	915	1275
Efficacy - LPW*	68	72	71	72	74
Nominal Lumens/ft	327	327	335	305	319

HU30M Series	
Power Factor**	>0.98
THD**	<20%
Color Rendering Index (CRI)	>90

* At factory setting of 3000K for white fixtures, check Photometric data for individual specifications

** At 120V only w/o Accessory



Order Information

Sample number: HU30MSCTD24P: 24" White, Dimmable HU30M fixture, with 5 Selectable CCT and Dim-To-Warm

Family	Configuration ¹ / Color Temp	Length	Finish
HU30M = Halo Modular Premium Under Cabinet	SCTD = SeleCCTable CCT with Dim2Warm	09 = 9 inch ¹ 18 = 18 inch ² 24 = 24 inch 36 =36 inch 48 = 48 inch	P = White MB = Matte Black
	Notes Default factory setting= 3000K	Notes ¹ Not field upgradable with PIR or USB. ² Field upgradable with only one of the modular accessories (either PIR or USB, not both).	

Modular Accessories (ordered separately)*

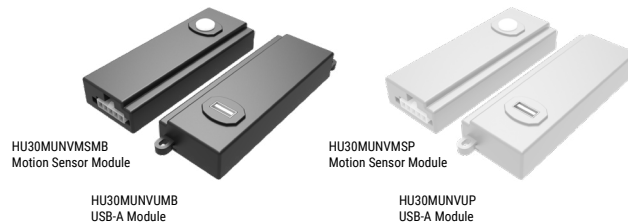
- HU30MUNVUP**= USB-A Module, White
- HU30MUNVMS**= Motion Sensor Module, White
- HU30MUNVMB**= USB-A module, Matte Black
- HU30MUNVMSMB**= Motion Sensor Module, Matte Black

* Accessories are field-installable inside the fixture and will not change the overall fixture dimension. See installation instructions for details

Compatibility of Modular Accessories based on fixture length**

	PIR Sensor	USB-A Module
9 Inch	No	No
18 Inch	PIR Sensor Or USB-A Module	
24 Inch	Yes	Yes
36 Inch	Yes	Yes
48 Inch	Yes	Yes

** Modular Accessories need to be ordered separately from the standard fixture and are field-installable



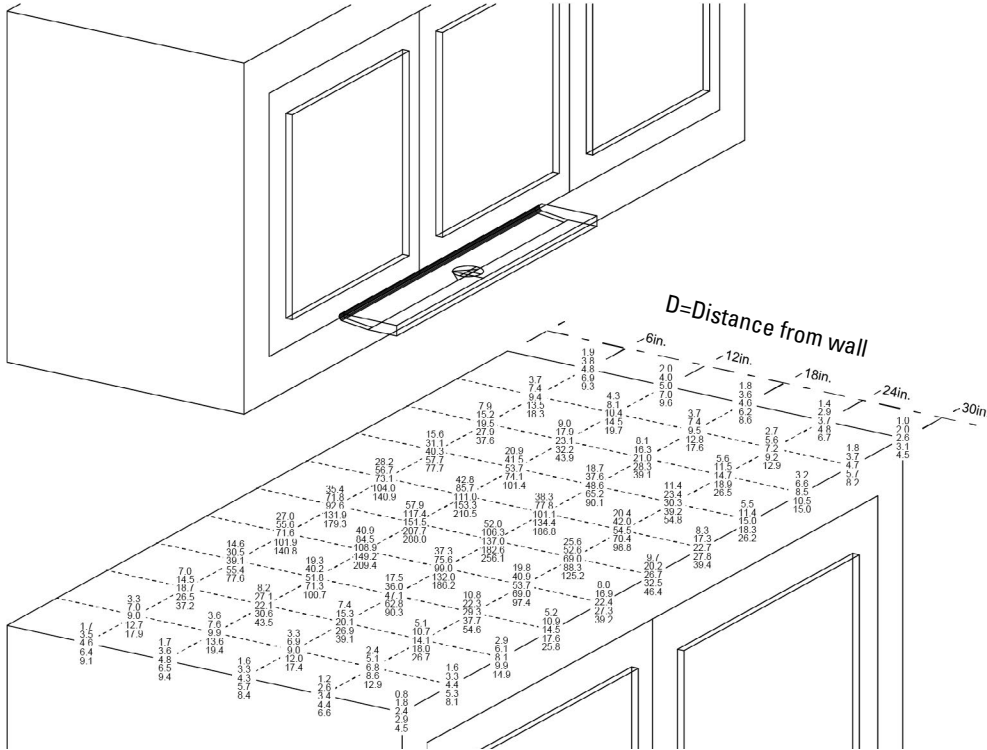
24" Fixture with USB-A port and PIR module installed

Connectors & Accessories

HU101 3" Daisy Chain Connector	HU102 6" Daisy Chain Connector	HU1010 12" Daisy Chain Connector	HU1011 18" Daisy Chain Connector	HU103 24" Daisy Chain Connector	HU104 120" Daisy Chain Connector
HU115 48" Power Cord - 120V only	HU109 Splice Box	HU107 1-1/2" Male-to-Male Connector			

Finish: P = White; MB = Matte Black

Example: HU101P = 3" Daisy Chain Connector, White



15" Mounting Height											
Top Number Report - HU30MSCTD09P											
Second Number Report - HU30MSCTD18P											
Third Number Report - HU30MSCTD24P											
Fourth Number Report - HU30MSCTD36P											
Bottom Number Report - HU30MSCTD48P											

Width												D
30in	24in	18in	12in	6in	0in	6in	12in	18in	24in	30in		
1.7	3.3	7.0	14.6	27.0	35.4	28.2	15.6	7.9	3.7	1.9	6in	
3.5	7.0	14.5	30.5	55.6	71.8	56.7	31.1	15.2	7.4	3.8		
4.6	9.0	18.7	39.1	71.6	92.6	73.1	40.3	19.5	9.4	4.8		
6.4	12.7	26.5	55.4	101.9	131.9	104.0	57.7	27.9	13.5	6.9		
9.1	17.9	37.2	77.6	140.8	179.3	140.9	77.7	37.6	18.3	9.3		
1.7	3.6	8.2	19.3	40.9	57.9	42.8	20.9	9.0	4.3	2.0	12in	
3.6	7.6	27.1	40.2	84.5	117.4	85.7	41.5	17.9	8.1	4.0		
4.8	9.9	22.1	51.8	108.9	151.5	111.0	53.7	23.1	10.4	5.0		
6.5	13.6	30.6	71.3	149.2	207.7	153.3	74.1	32.2	14.5	7.0		
9.4	19.4	43.5	100.7	209.4	288.0	210.5	101.4	43.9	19.7	9.6		
1.6	3.3	7.4	17.5	37.3	52.0	38.3	18.7	8.1	3.7	1.8	18in	
3.3	6.9	15.3	36.0	75.6	106.3	77.8	37.6	16.3	7.4	3.6		
4.3	9.0	20.1	47.1	99.0	137.0	101.1	48.6	21.0	9.5	4.6		
5.7	12.0	26.9	62.8	132.0	182.6	134.4	65.2	28.3	12.8	6.2		
8.4	17.4	39.1	90.3	186.2	256.1	186.8	90.1	39.1	17.6	8.6		
1.2	2.4	5.1	10.8	19.8	25.6	20.4	11.4	5.6	2.7	1.4	24in	
2.6	5.1	10.7	22.3	40.9	52.6	42.0	23.4	11.5	5.6	2.9		
3.4	6.8	14.1	29.3	53.7	69.0	54.5	30.3	14.7	7.2	3.7		
4.4	8.6	18.0	37.7	69.0	88.3	70.4	39.2	18.9	9.2	4.8		
6.6	12.9	26.7	54.6	97.4	125.2	98.8	54.8	26.5	12.9	6.7		
0.8	1.6	2.9	5.2	8.0	9.7	8.3	5.5	3.2	1.8	1.0	30in	
1.8	3.3	6.1	10.9	16.9	20.2	17.3	11.4	6.6	3.7	2.0		
2.4	4.4	8.1	14.5	22.4	26.7	22.7	15.0	8.5	4.7	2.6		
2.9	5.3	9.9	17.6	27.3	32.5	27.8	18.3	10.5	5.7	3.1		
4.5	8.1	14.9	25.8	39.2	46.4	39.4	26.2	15.0	8.2	4.5		

18" Mounting Height											
Top Number Report - HU30MSCTD09P											
Second Number Report - HU30MSCTD18P											
Third Number Report - HU30MSCTD24P											
Fourth Number Report - HU30MSCTD36P											
Bottom Number Report - HU30MSCTD48P											

Width												D
30in	24in	18in	12in	6in	0in	6in	12in	18in	24in	30in		
2.1	4	7.7	14.4	23.7	29.2	24.6	15.3	8.4	4.4	2.4	6in	
4.5	8.4	16	30	48.5	59.4	49.4	30.8	16.5	8.8	4.8		
5.8	10.7	20.6	38.4	62.6	76.7	63.9	39.6	21.4	11.3	6.1		
8.1	15.1	29	54.1	88.1	107.8	89.9	56.1	30.3	16	8.7		
11.5	21.3	40.8	75.8	122.2	147.2	122.5	76.2	41	21.7	11.7		
2.2	4.3	8.8	17.8	31.7	40.8	33.2	19.1	9.6	4.8	2.5	12in	
4.7	9	18.3	37	65.9	83	66.6	37.7	19.1	9.5	5		
6.1	11.7	23.7	47	84.4	107.2	86	49.1	24.6	12.3	6.4		
8.3	16.1	32.5	65.2	115.2	146.1	117.8	67.6	34.1	17	8.9		
11.9	23	46.3	92.4	162	203	162.4	92.7	46.6	23.2	12.1		
2	4	8	16.3	29	36.9	29.6	17.2	8.7	4.4	2.3	18in	
4.3	8.2	16.6	33.6	59.2	74.9	60.4	34.7	17.5	8.8	4.6		
5.6	10.8	21.7	43.7	76.9	96.9	78.2	44.8	22.6	11.3	5.9		
7.4	14.4	29.1	58.3	102.5	129.4	104.2	60.3	30.4	15.2	7.9		
10.8	20.9	41.9	83.2	144.2	181	144.6	83.4	42	21	10.9		
1.6	3.1	5.9	10.9	17.6	21.4	18.1	11.4	6.2	3.4	1.8	24in	
3.4	6.4	12.1	22.5	36.5	44.4	37	23.4	12.9	6.9	3.8		
4.5	8.4	15.9	29.5	47.5	57.6	48.3	30.3	16.5	8.8	4.8		
5.8	10.8	20.6	38.4	61.8	74.4	62.8	39.5	21.5	11.5	6.3		
8.7	16	30.1	54.9	87.1	105.1	87.9	55.2	29.9	16	8.7		
1.2	2	3.6	5.9	8.4	10	8.8	6.2	3.8	2.3	1.3	30in	
2.5	4.3	7.5	12.3	17.8	20.6	18.2	12.9	8	4.7	2.8		
3.3	5.7	9.9	16.3	23.5	27	23.7	16.7	10.3	6	3.5		
4.1	7.1	12.3	20.3	29.3	33.7	29.7	21	13	7.5	4.4		
6.2	10.7	18.2	29.3	41.7	48.1	41.9	29.8	18.4	10.7	6.2		

Product Specifications

Even Light Distribution

- Specialized optical system consisting of tightly clustered proximity phosphor LEDs, advanced optical chamber coatings and lens materials resulting in soft illumination with high efficiency.
- These fixtures are ideal for task lighting over glossy surfaces with no distracting shadow patterns.

Color Temperature

6 Position external selector which includes a 5 CCT SeleCCTable color temperature switch that allows users to choose between 2700K, 3000K, 3500K, 4000K and 5000K, and an additional Dim-To-Warm setting (D2W range- 2700K to 1800K at 120V), for the customer's lighting need.

PIR Motion Sensor Module

- Offered as a field installable modular accessory, the PIR technology based motion sensor allows for the fixture on/off to be managed based on movement detection. The HU30M PIR sensor works as an occupancy/vacancy sensor which activates the fixture when motion is detected and turns off the fixture when no motion is detected for 8 continuous minutes. See table on Page 1 for detection distances.

USB-A Module

- The USB-A port is offered as a field installable modular accessory. The USB output supplies 5V, 2A and is useful for charging many smart devices and accessories requiring a USB-A input.

Wiring Flexibility

User can power a fixture with multiple options: (See installation instructions for more details)

- Flexible conduit or romex can be used directly to either end of back of any size fixture to power the fixtures. Conduit connector and romex strain relief hardware are included with each fixture.
- Plug in cord (sold separately) can be utilized to link additional fixtures to the circuit. (120V only)

User can wire multiple fixtures with different options: (See installation instructions for more details)

- Wiring multiple fixtures can be done using flexible conduit or romex directly to either end of back of any size fixture. Conduit connector and romex strain relief hardware are included with each fixture.
- Plug in connectors (sold separately) can be utilized to link additional fixtures to the circuit.
- Link any combination of fixtures up to 440W total load using available wiring options.

Durable Low Profile Housing

Extruded aluminum housing and color matched end caps with a sleek over all height of 3/4".

Mounting

Each unit is secured directly to the mounting surface with just two fasteners keeping installation costs and efforts low. Can be mounted in horizontal and vertical orientations.

Optional Accessories

- PIR Motion sensor, USB-A port and an optional splice box are accessories offered for the HU30M series. The optional splice box has a connection port on each side to allow for runs in either or both directions. Includes Romex/ 1/2" conduit connector.
- Various connector cable options and lengths provide flexibility of mounting location.

Finish Options

Fixtures and accessories are available in both White (P) and Matte Black (MB) finishes.

Electronic Driver & Dimming

- Universal Voltage (120-277V, 50/60Hz) Electronic driver provides flicker free light output and noise free operation.
- Universal Voltage electronic driver is controlled with an integral on/off switch.
- Designed for continuous dimming (ELV or TRIAC) down to 5% at 120V with compatible dimmers.

Compliance & Certifications

- UL Certified
- Can be used to meet IECC, ASHRAE commercial and residential standards
- FCC rated driver
- Can be used for State of California Title 24 high efficacy LED compliance under JA8
- Damp location listed
- Closet rated
- ENERGY STAR® certified

Factory Defaults

The fixtures will be set to the following default where applicable:

- CCT: 3000K

Warranty

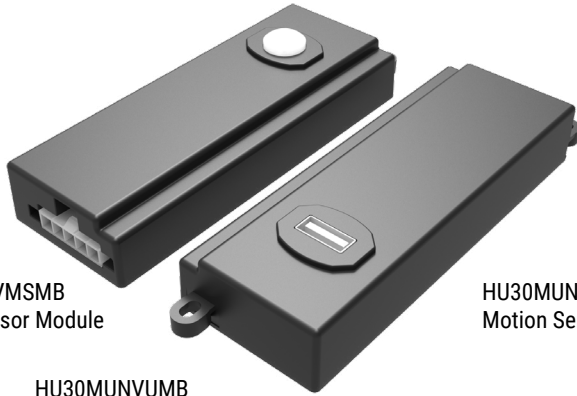
Five-year limited warranty, consult website for details. www.cooperlighting.com

* See our website for dimming guidance information. www.cooperlighting.com

Energy Data

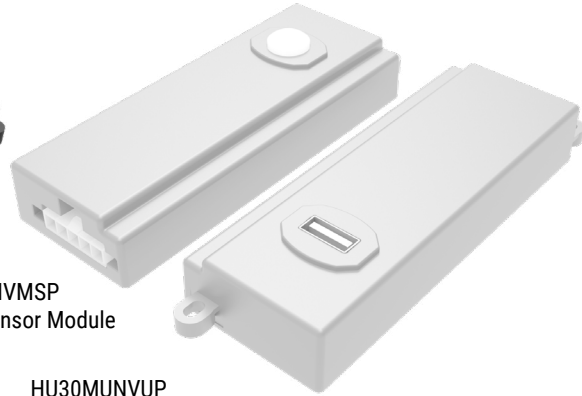
Catalog	CCT (K)	Lumen	Efficacy (lm/W)	Watt (W)	PF	CCT tested (K)	CRI	R9	Duv	SDCM
HU30MSCTD09MB (9" BLK Version)	2700	250.89	76.03	3.3	0.983	2755	94.9	66.3	-0.0015	2.7
	3000	251.90	76.33	3.3	0.983	3074	96.0	75.9	-0.0030	4.3
	3500	252.71	76.58	3.3	0.983	3490	96.4	83.2	-0.0032	4.2
	4000	253.11	76.70	3.3	0.983	4096	96.5	87.1	-0.0018	3.8
	5000	252.81	76.84	3.29	0.983	5211	94.7	79.1	0.0033	3.1
HU30MSCTD09D9SP (9" White Version)	2700	256.54	74.36	3.45	0.982	2748	95.5	73.3	0.0008	1.3
	3000	258.36	74.89	3.45	0.982	3040	96.7	81.4	-0.0010	1.4
	3500	259.48	75.21	3.45	0.982	3416	97.2	87.9	-0.0019	2.7
	4000	260.89	75.62	3.45	0.982	3967	97.3	91.1	-0.0011	2.3
	5000	261.60	75.83	3.45	0.982	4977	95.2	83.8	0.0027	1.2
HU30MSCTD18MB (18" Black Version)	2700	513.60	77.82	6.6	0.986	2725	95.1	68.6	-0.0022	2.8
	3000	519.50	78.71	6.6	0.986	3030	96.0	77.7	-0.0036	4.4
	3500	524.90	79.53	6.6	0.986	3434	96.5	85.0	-0.0038	4.6
	4000	530.20	80.33	6.6	0.986	4034	96.7	88.8	-0.0023	3.7
	5000	536.70	81.20	6.61	0.986	5174	94.9	79.7	0.0031	2.6
HU30MSCTD18P (18" White Version)	2700	495.41	75.06	6.6	0.987	2820	94.1	62.8	-0.0003	4.4
	3000	505.00	76.40	6.61	0.987	3148	95.0	70.1	-0.0024	5.4
	3500	516.11	78.08	6.61	0.987	3566	95.4	75.5	-0.0033	5.2
	4000	528.03	79.76	6.62	0.987	4162	95.2	77.6	-0.0027	5.5
	5000	544.29	82.22	6.62	0.987	5211	93.9	70.1	0.0007	3.2
HU30MSCTD24MB (24" Black Version)	2700	664.43	74.07	8.97	0.964	2757	94.4	63.1	-0.0016	2.8
	3000	668.68	74.46	8.98	0.964	3011	95.5	71.2	-0.0031	3.9
	3500	672.93	74.69	9.01	0.964	3357	96.2	78.5	-0.0038	5.1
	4000	677.18	74.91	9.04	0.964	3901	96.5	83.8	-0.0031	4.6
	5000	678.16	74.85	9.06	0.965	5029	94.4	76.6	0.0013	0.7
HU30MSCTD24P (24" White Version)	2700	670.28	73.25	9.15	0.964	2739	93.8	60.5	0.0002	0.7
	3000	681.75	74.51	9.15	0.964	3038	94.7	68.0	-0.0018	2.4
	3500	692.72	75.62	9.16	0.965	3421	95.1	74.1	-0.0028	3.5
	4000	702.79	76.64	9.17	0.965	3975	94.8	77.7	-0.0023	3.5
	5000	715.85	78.15	9.16	0.965	4963	92.5	72.8	0.0007	1.7
HU30MSCTD36MB (36" Black Version)	2700	920.96	74.88	12.3	0.971	2754	94.6	64.3	-0.0017	2.8
	3000	925.68	75.14	12.32	0.971	3019	95.7	72.5	-0.0032	4.0
	3500	929.16	75.36	12.33	0.971	3375	96.4	79.9	-0.0039	5.0
	4000	933.16	75.56	12.35	0.971	3929	96.6	84.9	-0.0032	4.4
	5000	935.01	75.46	12.39	0.972	5059	94.6	77.4	0.0014	0.8
HU30MSCTD36P (36" White Version)	2700	920.10	74.02	12.43	0.968	2732	93.8	61.0	-0.0001	0.4
	3000	931.90	74.79	12.46	0.969	3022	94.8	68.5	-0.0020	2.6
	3500	947.30	75.97	12.47	0.969	3397	95.2	74.6	-0.0030	4.0
	4000	963.70	77.22	12.48	0.969	3942	94.9	78.2	-0.0026	3.8
	5000	984.20	78.80	12.49	0.969	4941	92.5	73.2	0.0006	2.0
HU30MSCTD48MB (48" Black Version)	2700	1266.04	76.73	16.5	0.983	2760	94.6	64.7	-0.0018	3.1
	3000	1274.22	77.09	16.53	0.983	3030	95.7	72.9	-0.0034	4.2
	3500	1279.57	77.32	16.55	0.983	3388	96.4	80.4	-0.0041	5.1
	4000	1286.24	77.58	16.58	0.983	3949	96.7	85.4	-0.0034	4.6
	5000	1287.85	77.49	16.62	0.983	5101	94.6	78.0	0.0011	1.5
HU30MSCTD48P (48" White Version)	2700	1279.95	76.14	16.81	0.981	2745	93.8	61.1	0.0001	0.9
	3000	1301.60	77.38	16.82	0.981	3043	94.8	68.6	-0.0020	2.6
	3500	1393.88	82.87	16.82	0.981	3426	95.2	74.7	-0.0029	3.7
		1343.48	79.83	16.83	0.981	3981	94.9	78.3	-0.0025	3.7
	5000	1370.64	81.49	16.82	0.981	4975	92.5	73.3	0.0006	1.7

Connectors & Accessories



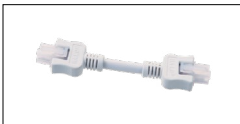
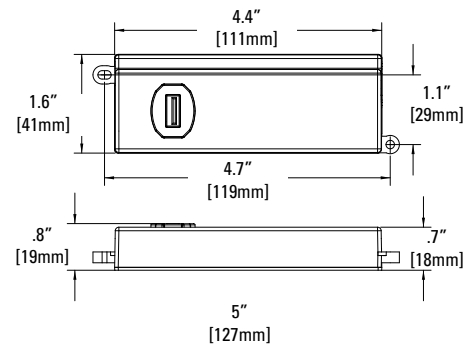
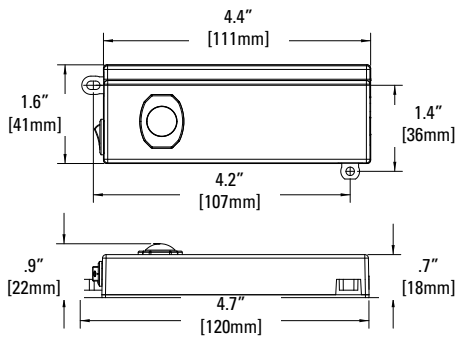
HU30MUNVMSMB
Motion Sensor Module

HU30MUNVUMB
USB-A Module



HU30MUNVMSP
Motion Sensor Module

HU30MUNVUP
USB-A Module



HU101
3" Daisy Chain Connector



HU102
6" Daisy Chain Connector



HU1010
12" Daisy Chain Connector



HU1011
18" Daisy Chain Connector



HU103
24" Daisy Chain Connector



HU104
120" Daisy Chain Connector



HU115
48" Power Cord - 120V only



HU109
Splice Box



HU107
1-1/2" Male-to-Male Connector

Finish: P = White; MB = Matte Black **Example:** HU101P = 3" Daisy Chain Connector, White