

Project		Catalog #		Type	
Prepared by		Notes		Date	



HALO

RL 6" Recessed Baffle Canless Downlight

6" Baffle Recessed Canless LED Downlight mounts directly to the ceiling – no housing required. The selectable lumens, 6-position color selectability, and flicker-free 5% dimming allow for easy lighting customization.

Typical Applications Residential

Interactive Menu

- Order Information [page 2](#)
- Product Specifications [page 3](#)
- Energy Data [page 3](#)
- Photometric Data [page 4](#)
- Product Warranty
- Dimming Guide



Refer to ENERGY STAR® Certified Products List.
Can be used to comply with California Title 24 High Efficacy requirements.
Certified to California Appliance Efficiency Database under JAB.



Top Product Features

- Round 6" canless downlight suitable for installation in IC (insulation contact) or non-IC applications
- Canless springs hold fixture to ceiling – no housing required
- **Lens & Trim:** Recessed baffle trim and curved diffuse lens
- **6-Position Switch:** 5-color Field-SeleCCTable (2700K, 3000K, 3500K, 4000K, 5000K) + Dim-to-warm (3000K dims to 1800K); 90+ CRI
- **Brightness (Lumens):** Lumen Select Switch - 1050/1300 lumens
- **Dimming:** Dims to 5% (phase cut LE/TE) with compatible dimmers; 120V input
- Decorative Overlays (sold separately)
- AIR-TITE, wet location-listed, and ENERGY STAR®
- 50,000 hrs of maintenance-free operation in damp or wet locations
- 5-year warranty

Order Information

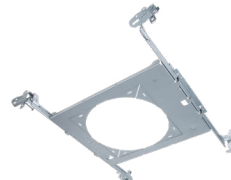
Catalog Number	Module	Lumens	CRI/CCT	Driver	Finish	Packaging
RL6069FSD2W1EWHDM	6-inch Round Canless LED Downlight	750 Lumens	90+ CRI, 6-Color Field-SeleCCTable: 2700K, 3000K, 3500K, 4000K, 5000K, Dim-to-Warm	5% Phase Cut LE/TE Dimming, 120V 60Hz	Matte White	Recyclable 4-color plastic-free packaging
RL6LS9FSD2W1EWHDM	6-inch Round Canless LED Downlight	1050/1300 Selectable Lumens	90+ CRI, 6-Color Field-SeleCCTable: 2700K, 3000K, 3500K, 4000K, 5000K, Dim-to-Warm	5% Phase Cut LE/TE Dimming, 120V 60Hz	Matte White	Recyclable 4-color plastic-free packaging

Accessories (sold separately)

Accessories
<p>New Construction Mounting Frames² MF6RC = 6" Round New Construction Mounting Frame with ½" Drywall Collar HL6RSMF = 6" Round-to-Square New Construction Mounting Frame</p> <p>New Construction Smash Plate² SP346RS = 3" / 4" / 6" New Construction Smash Plate (4" & 6" openings convert round-to-square)</p> <p>Extension Cables HLB06FSEC = 6 ft. Extension Cable HLB12FSEC = 12 ft. Extension Cable HLB20FSEC = 20 ft. Extension Cable</p>



MF6RC



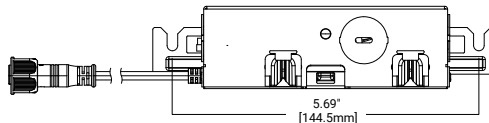
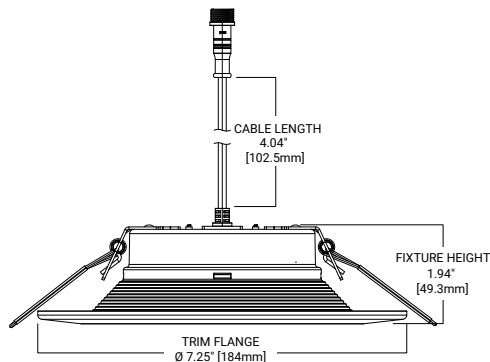
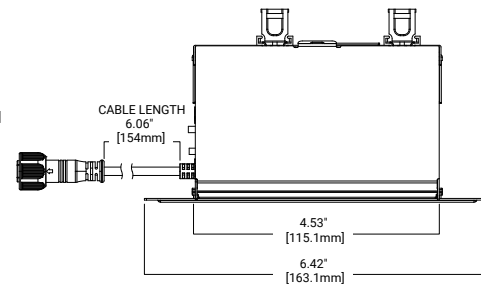
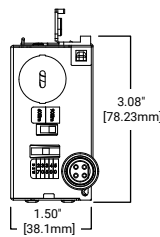
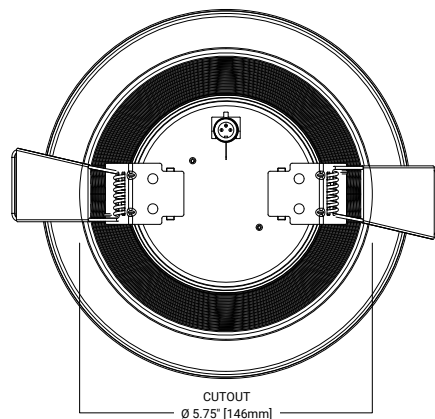
HL6RSMF



SP346RS

2. New Construction Mounting Frames / Smash Plates reserve ceiling positions and holds canless junction boxes during rough-in wiring phase.

Dimensional and Mounting Details



Product Specifications

Selectable System

- Use the CCT select switch to choose between D2W, 2700K, 3000K, 3500K, 4000K, and 5000K CCT
- D2W option starts at 3000K and warms to 1800K as fixture dims
- Use the lumen select switch on lumen selectable fixtures to choose brightness level

Module – Trim

- Module construction includes LED array, heat sink, reflector, lens, baffle and trim ring
- Regressed baffle
- Heat sink designed to conduct heat away from the LED Array

LED Array

- Mid power LED array provides a uniform source with high efficiency and no pixilation
- 90 CRI minimum, R9 greater than 50
- Color accuracy at 4 SDCM in between endpoints, provide color accuracy and uniformity.
- Color Temperature (CCT) is set to a factory default of 3000K

Optical Assembly

- Regressed lens
- Impact-resistant polycarbonate
- Convex form and lamp-like appearance
- Diffuse for even illumination

Gaskets

- Closed cell gaskets achieve restrictive airflow requirements without additional caulking

Driver

- Integral 120V 60 Hz constant current driver provides noise free operation
- Continuous, flicker-free dimming from 100% to 5%
- See Dimming Guide for compatible dimmers

Remote Driver/ Junction Box

- Aluminum driver / junction box with captive hinged junction box cover
- Listed for (6) #12 AWG 90° C splice conductors, 2-in, 2-out plus (2) ground
- (2) ½" conduit pry-outs
- (2) Slide-N-Side™ non-metallic (NM) wire traps all
- Accepts 14-2, 14-3, 12-2, 12-3 U.S and 14-2, 14-3, 12-2 Canadian NM cable
- (3) 4-port push wire nuts with clear caps for quick and reliable mains voltage connections
- Integral keyhole mounting slots facilitate direct mounting to building structure or new construction mounting frame

Mounting / Retention

- The RL Canless Series requires no housing or third-party junction box
- The remote enclosure may be used in direct contact with insulation. Installer must cut template out of drywall and install into aperture with the clips compressed.
- When released, the spring clips will rest on to the back side of the drywall
- Not for installation in recessed cans

Hole Saw Sizing	Min to Max
6"	5-5/8" to 6-1/4"

Compliance

- UL Certified US and Canada Type IC suitable for direct contact with air permeable insulation
- Wet and Damp location listed. Not recommended for use in direct contact with spray foam insulation, reference NEMA LSD57-2013
- Airtight certified per ASTM-E283
- Suitable for use in clothes closets when installed in accordance with the NEC 410.16 spacing requirements
- Suitable for use in plenum spaces per NEC 300.22(C)(2) requirements
- EMI/RFI emissions per FCC 47CFR Part 15 consumer limits
- Contains no mercury or lead and RoHS compliant¹
- Photometric testing in accordance with IES LM-79-08
- Lumen maintenance projections in accordance with IES LM-80-08 and TM-21-11
- Can be used for State of California Title 24 high efficacy luminaire compliance. Complies with Title 24 JA8-2022-E.¹
- Can be used International Energy Conservation Code (IECC) high efficiency luminaire compliance.
- ENERGY STAR® listed, reference database for current listings
- IP44 Ingress Protection rated

Warranty

- Five year limited warranty, consult website for details. www.cooperlighting.com/warranty

Energy Data

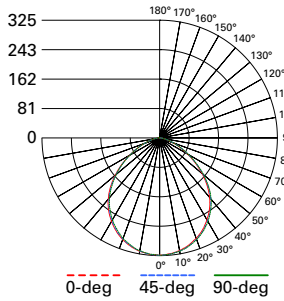
RL6 - 750 Lumen

Lumens	750
Input Voltage	120V
Input current	63mA
Input Power	7.2W
Efficiency	77.69%
Inrush(A)	1.66
THD	18.7
PF	0.956
Sound Rating	<=22dba

RL6 - Selectable Lumen

Lumens	1050/1300
Input Voltage	120V
Input current	110mA
Input Power	13W
Efficiency	80.50%
Inrush(A)	1.31
THD	13.8
PF	0.997
Sound Rating	<=22dba

Photometric Data

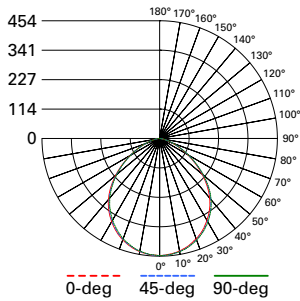
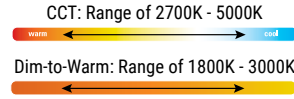


RL6069FSD2W1EWHDM -600LM -3000K

Spacing criterion:
 (0-180) 1.21 | (90-270) 1.21 | (Diagonal) 1.3
 Beam Angle: 98°
 Field Angle: 145°
 Lumens: 750
 Input Watts: 7.5 W
 Efficacy: 100 LPW
 UGR: 19
 Test Report: P639505

Zonal Lumen	Lumens	% Lumens
0-30	247	33
0-40	399	53.2
0-60	655	87.3
0-90	750	100

TM-30-15	Rf = 93
	Rg = 103
CRI/CIE	Ra = 96.4
	R9 = 87

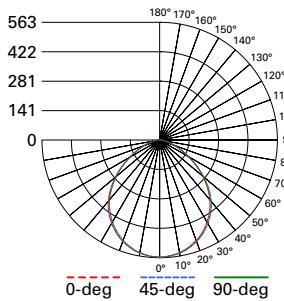
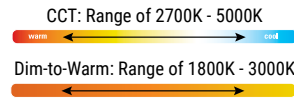


RL6LS9FSD2W1EWHDM -900LM -3000K

Spacing criterion:
 (0-180) 1.21 | (90-270) 1.21 | (Diagonal) 1.3
 Beam Angle: 98°
 Field Angle: 145°
 Lumens: 1050
 Input Watts: 9.9 W
 Efficacy: 106.1 LPW
 UGR: 20
 Test Report: P639515

Zonal Lumen	Lumens	% Lumens
0-30	346	33
0-40	558	53.2
0-60	916	87.3
0-90	1050	100

TM-30-15	Rf = 92
	Rg = 103
CRI/CIE	Ra = 95.6
	R9 = 81



RL6LS9FSD2W1EWHDM -1200LM -3000K

Spacing criterion:
 (0-180) 1.21 | (90-270) 1.21 | (Diagonal) 1.3
 Beam Angle: 98°
 Field Angle: 145°
 Lumens: 1300
 Input Watts: 13.8 W
 Efficacy: 94.2 LPW
 UGR: 20
 Test Report: P639510

Zonal Lumen	Lumens	% Lumens
0-30	429	33
0-40	691	53.2
0-60	1135	87.3
0-90	1300	100

TM-30-15	Rf = 92
	Rg = 103
CRI/CIE	Ra = 95.6
	R9 = 81

