

Project		Catalog #		Type	
Prepared by		Notes		Date	



Interactive Menu

- Order Information [page 2](#)
- Product Specifications [page 2](#)
- Wiring Diagram [page 2](#)
- Network Topology [page 3](#)

Top Product Features

- **Smart, Seamless Control:** Works with Wi-Fi® for app, voice, or manual control of brightness, color temperature, and scenes without the need for a hub.
- **Dynamic Lighting Control:** Adjusts dimming, tunable white, and full color (RGB) fixtures with smooth, flicker-free performance.
- **Scene Presets & Customization:** Four on-device scene buttons plus unlimited custom scenes via the WiZ app or WiZ Pro Setup app.
- **Single or Multi-Location Applications:** Flexible options simplify installation and expand control across multiple locations.
- **Contractor-Friendly Design:** Standard 120V wiring, intuitive rockers, and a slim profile for faster installs.
- **Reliable Smart Platform:** Communicates over 2.4 GHz Wi-Fi®, no hub required, with secure and seamless setup using the WiZ app or WiZ Pro Setup app, or WiZ Pro Dashboard. (Communicates with fixtures directly on the Local Area Network (LAN) allowing for control even if internet service goes down.)

Connected by
HALO **WiZ**
 PRO

Pure Smart™ Wi-Fi® Hardwired (120V) Room Controller Connected by WiZ Pro

The Pure Smart™ Wi-Fi® Room Controller works with any Connected by WiZ / WiZ Pro lighting. The Room Controller grants independent adjustment of both color temperature and intensity, as well as scene selection for single channel/static, tunable white, and full color fixtures.

Four preset scenes can be associated with the Room Controller via the WiZ app. Custom scenes can be created using multiple layers of light, colors, and can include Pure Smart™ Wi-Fi® Dimmers and Switches as well.

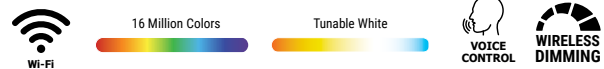
Typical Applications Residential

In partnership with PureEdge Smart Lighting

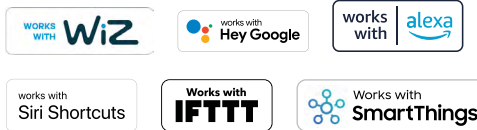
Product Certification



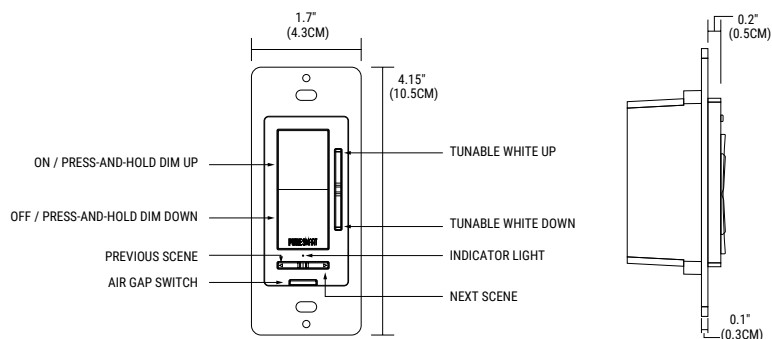
Product Features



Product Integrations



Dimensional and Mounting Details



Order Information

Catalog Number	Module	Type	Finish	Packaging
CWW-TW-SCENE-WH	Pure Smart™ Wi-Fi® Hardwired (120V) Room Controller Connected by WiZ Pro	Tunable White + Scenes	White	Plastic-free & Fully Recyclable

Not to be sold in Canada

Specification Features

Approved Location	Dry / Indoor
Input Voltage	120Vac - 60 Hz
Certification	cULus, FCC
Compatible Load(s)	WiZ Connected products only
Maximum Power	600W (Hardwired Loads), No Maximum for Wireless Loads
Output Current	5A
Power Consumption	Relay OFF: 0.07W Soft OFF: 0.79W ON: 0.79W
Dimming	Dims to 3%
Operating Temperature	23°F~113°F (-5°C~45°C)
Wireless Frequency	2.4GHz
Wireless Standard	IEEE 802.11
Warranty	3 Year

Operation

For wireless control of any Connected by WiZ / WiZ Pro devices. Features ON/OFF + press-and-hold dimming buttons, tunable white (CCT) buttons, and 4 preset / custom scene buttons. Maximum output of 600W for hardwired Connected by WiZ / WiZ Pro devices. No load restriction when load wire is not used and devices are only connected wirelessly to Room Controller. Communicates with 2.4 GHz Wi-Fi® only. No hub required.

Easy installation

The Pure Smart™ Wi-Fi® Room Controller installs just like a traditional dimmer. Compatible with standard gangable boxes. Requires neutral wire. No hub required.

WiZ app

The Room Controller is added as an accessory in the WiZ app (iOS or Android) and communicates directly to Connected by WiZ / WiZ Pro light fixtures via direct Wi-Fi® signal on local area network (LAN). Voice control enabled when used in conjunction with Google Assistant, Siri, Alexa, IFTTT, and SmartThings. Grouping, zoning, scheduling, and custom scenes can all be programmed with the WiZ app, WiZ Pro app, or WiZ Pro Dashboard.

Body

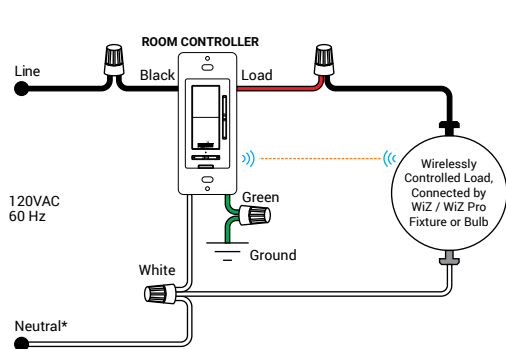
Durable polycarbonate body, compatible with decorator style wall plate (not included).

Security

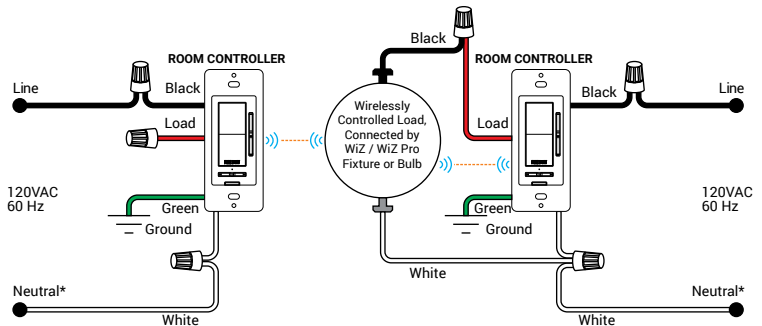
3rd party log-in and cloud security provide a safe and protected connection. Wiz does not store nor share any personal information.

Wiring Diagrams

SINGLE LOCATION
(1) PURE SMART™ Wi-Fi® ROOM CONTROLLER
CWW-TW-SCENE-WH



MULTI-LOCATION APPLICATIONS
(2+) PURE SMART™ Wi-Fi® ROOM CONTROLLER
CWW-TW-SCENE-WH



Network Topology

