

Project		Catalog #		Type	
Prepared by		Notes		Date	



## HALO

### ML Flex Series - Canless LED Adjustable Downlighting 3-inch Round & Square Adjustable

The ML Flex Series is a set of striking, high-performance adjustable fixtures available in three sizes (2, 3, and 4-inch). ML Flex Canless adjustable luminaires share a sleek design with reduced glare, 355° rotation and up to a 30° tilt angle. The ML Flex adjustables provide quality light with multiple field replaceable TIR optics to provide the beam angle you want virtually anywhere. Using round and square magnetic trims, makes the ML Flex flexible and perfect for residential, hospitality, retail, and healthcare installations.

The ML Flex 3-inch fixtures are offered with an array of adjustable smooth trims colors and round or square. Control beam angles with interchangeable 25°, 40°, and 55° optics. Customize lighting with selectable lumens and colors with flicker-free dimming to less than 5% in phase cut (120V) or 0-10V (120-277V) versions.

**Typical Applications** Residential, Hospitality, Healthcare, Retail

#### Interactive Menu

- Order Information page 3
- Product Specifications page 7
- Energy Data page 8
- Photometric Data page 9
- Product Warranty



Can be used to comply with California Title 24 High Efficacy requirements.<sup>1</sup>  
Certified to California Appliance Efficiency Database under JAB.<sup>1</sup>

### Top Product Features

- 3" Canless LED Adjustables mount directly to the ceiling (no housing required)
- Use with canless mounting frames for new construction installations
- **Trims:** Flanged adjustable trims in smooth multiple colors and round or square
- **Lens:** Frosted lens that is field removable
- **Field-interchangeable TIR optics:** 25°, 40°, and 55° (ships with 40° TIR optic)
- **Color SeleCCTable™:**
  - 5-color Field-SeleCCTable™ (2700/3000/3500/4000/5000K); 90+ CRI
  - Field-SeleCCTable™ Dim-to-Warm: 3000K-to-1800K or 2700K-to-1800K; 90+ CRI
- **Lumen Select:** Low/Medium/High = 300/500/750 lm (nominal)
- **Dimming Versions:** Dims to less than 5% in either phase cut LE/TE (120V) with compatible dimmers OR 0-10V (UNV 120-277V)
- AIR-TITE, Wet location-listed, IC-rated, IP 64 rated
- 50,000 hrs of maintenance-free operation
- 5-year warranty

#### Up to a 30° Tilt Angle

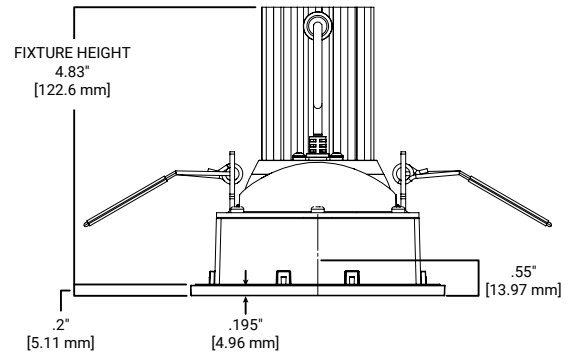
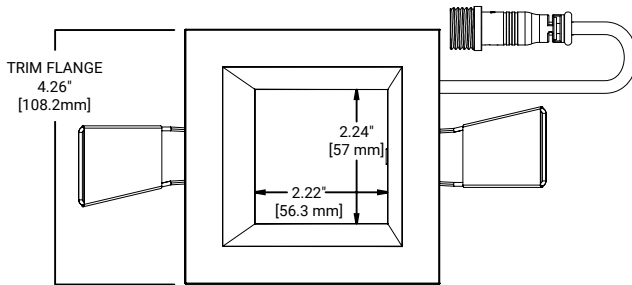
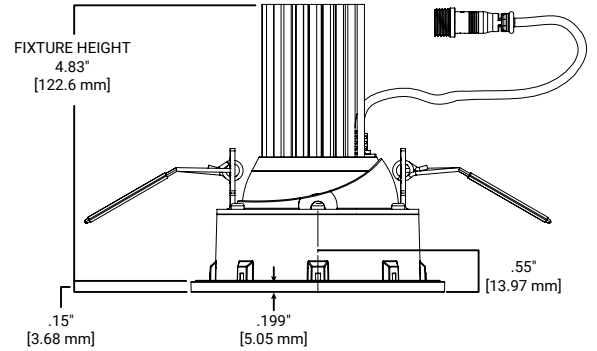
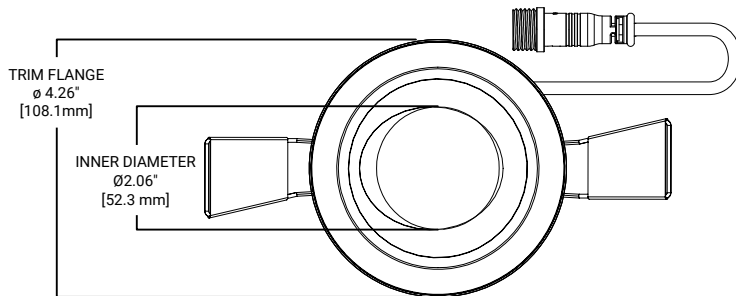


## Dimensional and Mounting Details

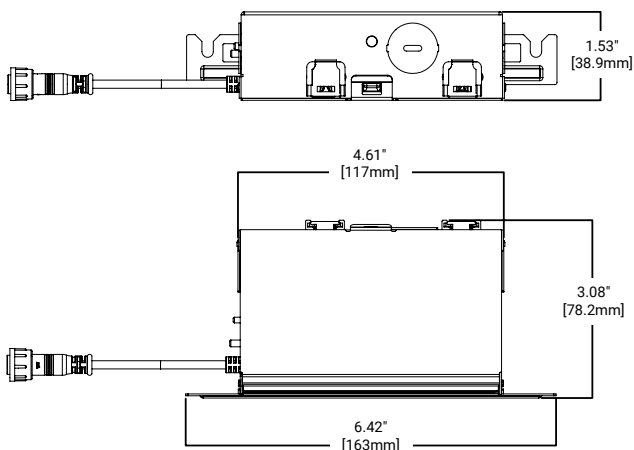
### 3" ADJUSTABLE

#### Cut Out (Templates included in instructions and packaging)

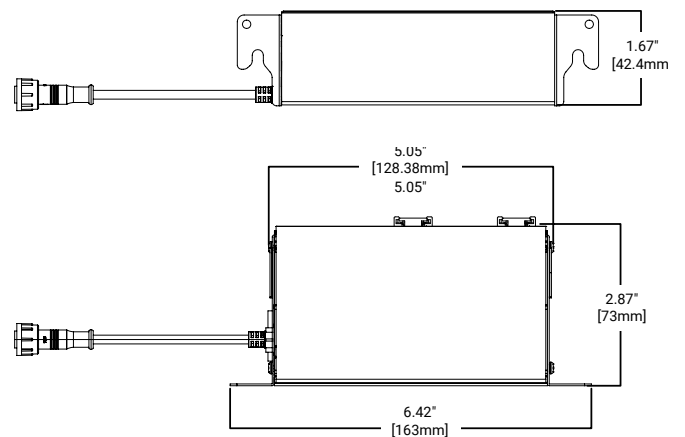
- 3" Round Fixture = 3-5/8" [92mm] circle / hole saw
- 3" Square Fixture = 3-5/8" [92mm] square



### 5-color SeleCCTable™ J-Box & Driver



### SeleCCTable™ Dim-to-Warm J-Box & Driver



## Order Information

### Stock: 3" ML Flex Adjustable Fixtures

Stock ML Flex fixtures come fully assembled and include the LED light engine, 40° TIR optic, removable frosted lens, remote driver / junction box, and interchangeable trim.

Optional new construction mounting frames, flushmount mud-in rings, interchangeable TIR optics, lenses, and driver-to-light engine extension cables are also available.

#### Phase Cut LE/TE Dimming, 120V Input

Catalog Number	Description	Lumens	CRI / CCT	Dimming / Driver	Trim Finish
ML3ALSFS1ERMW	3" Round Smooth LED Adjustable	Lumen Selectable 300/500/750 LM	90+ CRI, 5-color Field-SeleCCTable™ CCT: 2700/3000/3500/4000/5000K	≤5% Phase Cut LE/TE Dimming, 120V 60Hz	Matte White
ML3ALSFS1ERMB	3" Round Smooth LED Adjustable	Lumen Selectable 300/500/750 LM	90+ CRI, 5-color Field-SeleCCTable™ CCT: 2700/3000/3500/4000/5000K	≤5% Phase Cut LE/TE Dimming, 120V 60Hz	Matte Black
ML3ALSFS1ESMW	3" Square Smooth LED Adjustable	Lumen Selectable 300/500/750 LM	90+ CRI, 5-color Field-SeleCCTable™ CCT: 2700/3000/3500/4000/5000K	≤5% Phase Cut LE/TE Dimming, 120V 60Hz	Matte White
ML3ALSFS1ESMB	3" Square Smooth LED Adjustable	Lumen Selectable 300/500/750 LM	90+ CRI, 5-color Field-SeleCCTable™ CCT: 2700/3000/3500/4000/5000K	≤5% Phase Cut LE/TE Dimming, 120V 60Hz	Matte Black
ML3ALSD2W1ERMW	3" Round Smooth LED Adjustable	600 lm	90+ CRI, Field-SeleCCTable™ Dim-to-Warm 3000-to-1800K or 2700-1800K	≤5% Phase Cut LE/TE Dimming, 120V 60Hz	Matte White
ML3ALSD2W1ERMB	3" Round Smooth LED Adjustable	600 lm	90+ CRI, Field-SeleCCTable™ Dim-to-Warm 3000-to-1800K or 2700-1800K	≤5% Phase Cut LE/TE Dimming, 120V 60Hz	Matte Black

#### 0–10V, Universal Voltage 120–277V (Commercial)

Catalog Number	Description	Lumens	CRI / CCT	Dimming / Driver	Trim Finish
ML3ALSFSE010RMW	3" Round Smooth LED Canless Downlight	Lumen Selectable 300/500/750 LM	90+ CRI, 5-color Field-SeleCCTable™ CCT: 2700/3000/3500/4000/5000K	≤5% 0–10V Dimming, UNV 120–277V 50Hz/60Hz	Matte White
ML3ALSFSE010RMB	3" Round Smooth LED Canless Downlight	Lumen Selectable 300/500/750 LM	90+ CRI, 5-color Field-SeleCCTable™ CCT: 2700/3000/3500/4000/5000K	≤5% 0–10V Dimming, UNV 120–277V 50Hz/60Hz	Matte Black

### Made to Order: 3" ML Flex Adjustable Fixtures

Made to order ML Flex adjustable fixtures include the LED light engine, 40° TIR optic, removable frosted lens, remote driver / junction box, and interchangeable trim.

Optional new construction mounting frames, interchangeable TIR optics, lenses, and driver-to-light engine extension cables are also available.

Module	Lumens <sup>(1)</sup>	CRI/CCT	Driver	Shape	Trim Type	Trim Color
<b>ML3A</b> = 3" LED Adjustable Light Engine	<b>LS</b> = Lumen Selectable 300/500/750 lm	<b>FS</b> = 90+ CRI, 5-color Field-SeleCCTable™ CCT: 2700/3000/3500/4000/5000K <b>D2W</b> = 90+ CRI, Field-SeleCCTable™ Dim-to-Warm 3000-to-1800K or 2700-1800K <sup>(1)(2)</sup>	<b>1E</b> = ≤5% Phase Cut LE/TE Dimming, 120V 60Hz <b>E010</b> = ≤5% 0–10V Dimming, UNV 120–277V 50Hz/60Hz <sup>(3)</sup>	<b>R</b> = Round <b>S</b> = Square	<b>Blank</b> = Smooth Magnetic Trim	<b>MW</b> = Paintable Matte White <b>SL</b> = Silver <b>MB</b> = Matte Black
<b>Notes</b>	<b>Notes</b>	<b>Notes</b>	<b>Notes</b>	<b>Notes</b>	<b>Notes</b>	<b>Notes</b>
	1. D2W versions are 600 lumens (not lumen selectable)	1. D2W versions are 600 lumens (not lumen selectable) 2. D2W versions are not compatible with E010 driver option	3. D2W versions are not compatible with E010 driver option			

## Order Information

## Optional Accessories

Catalog Number	Description
<b>Optics</b>	
TIR4D25NFL	25° narrow flood optic (fits 3" & 4" ML Flex fixtures)
TIR4D40FL	40° flood optic (fits 3" & 4" ML Flex fixtures)
TIR4D55WFL	55° wide flood optic (fits 3" & 4" ML Flex fixtures)
TIR45MH12PK	Replacement media holder – 12-pack (fits 3" & 4" ML Flex fixtures)

<b>Media Optics</b>	
L113	Prismatic Spread Lens broadens beam patterns, creates a wide, uniform distribution of light.
L115	Linear Spread Lens fans the beam to produce a wide, rectangular pattern.
L120	Red DC Filter 2"
L121	Amber DC Filter 2"
L122	Yellow DC Filter 2"
L123	Green DC Filter 2"
L124	Daylight DC Filter 2"
LHEX	2-inch diameter matte black hex cell louver provides 45° cutoff, 50W maximum use limit.

<b>Mud-in Ceiling Mounts</b>	
These installation plaster-frame accessories allow the fixture's flange to recess flush with the ceiling surface for a clean ceiling.	
3MFMR	3" Round Flushmount Mud-in Ring
3MFMS	3" Square Flushmount Mud-in Ring

<b>Extension Cables</b>	
Fixture-to-Junction Box Extension Cable (order separately) Use HALO Canless Extension Cables in applications where junction boxes need to be installed further away from the fixture – either for convenience or to save on line-voltage wire. (Co-locating junction boxes makes adjustments and maintenance fast and easy.)	
HLB06FSEC	6 ft. extension cable
HLB12FSEC	12 ft. extension cable
HLB20FSEC	20 ft. extension cable

<b>ML Flex New Construction Mounting Frames</b>	
Designed to ensure the proper placement and alignment of canless LED downlights in new construction projects. It features adjustable hanger bars, integrated thumb screws, and pre-installed nails for easy installation and compliance with local code requirements.	
MFML3R	3" Round ML Flex New Construction Mounting Frame (Use with ML Flex Downlights, Wall Wash, and Adjustables)
MFML3S	3" Square ML Flex New Construction Mounting Frame (Use with ML Flex Downlights, Wall Wash, and Adjustables)



MFML3R



MFML3S

## Emergency Accessories

Emergency accessories are ordered separately

<b>Emergency Power Accessories</b>	
Catalog Number	Description
INVM-10W-AD	Single Phase 0-10V Auto Dimming (can power up to 5 ML Flex 3" fixtures)

## Controls Accessories

Controls accessories are ordered separately

Catalog Number	Description
WTA	Field Installed WaveLinX PRO Tilemount Sensor Kit <sup>(6)</sup>
WTK	Field Installed WaveLinX LITE Tilemount Sensor Kit <sup>(7)</sup>

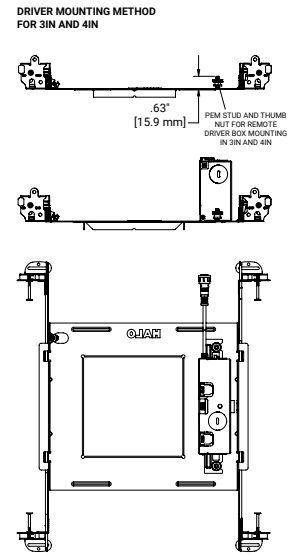
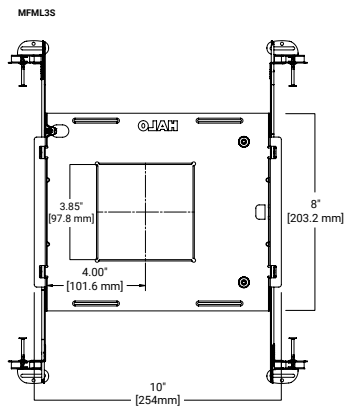
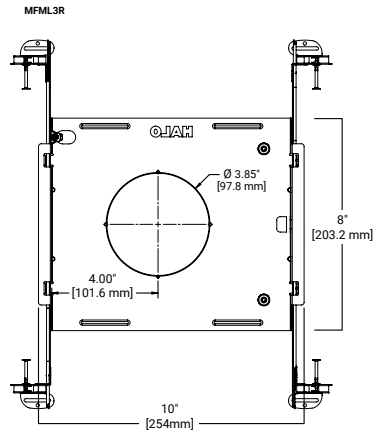
### Notes

6. WTA = WaveLinX PRO tilemount sensor kit for daylight dimming, PIR motion sensing, and optional RLTS - Real Time Location Services, use with E010 versions only (Refer to WaveLinX specifications)

7. WTK = WaveLinX LITE tilemount sensor kit for daylight dimming, PIR motion sensing, use with E010 versions only (Refer to WaveLinX LITE specifications)

## Dimensional and Mounting Details

### MOUNTING PLATE



## Summary

	2"	3"	4"
CCT	2700K/3000K/3500K/4000K/5000K		
Warming Dimming (option)	1800K-3000K or 1800K-2700K		
Lumens	200/400/550	300/500/750	600/800/1000
Optics	25°/40°/55° TIR Optics		
Maximum Tilt Angle	25°	30°	35°
Wattage	9W	11.5W	16W
Input Voltage	120V or 120V-277V		
Dimming	Phase 120V or 0-10V 120V-277V		
Warm Dimming	1800K-3000K		
Optical Accessories		Honeycomb Louver Clear Glass Prismatic Spread Linear spread Diffuse Sand Blasted Soft Focus Red Dichroic Filter Blue Dichroic Filter Green Dichroic Filter	
Trim Finishes	Matte Black Matte White Silver		
Trim Shapes	Round or Square		
Trim Options	Round Smooth Square Smooth		
Ceiling Applications	Flange Flushmount Mud-in Mounting Frame		
Standards	UL/ Title 24 JA8 <sup>(1)</sup>		
Ratings	Wet location, Airtight when lens is installed (default)		
LED Lifetime	L70 to 50,000 hrs		
Warranty	5 years		

## Product Specifications

### Construction

- Magnetic Polycarbonate trims for Adjustables
- Regressed painted smooth trims
- High impact lens provides airtite and wet location requirement met even without lens

### Module

- The LED canless adjustable consists of a Chip on Board LED array, optical assembly, driver, and trim
- Achieves L70 at 50,000 hrs in IC (insulation contact) and non-IC applications

### Selectable System

- Use the CCT select switch to choose between 2700K, 3000K, 3500K, 4000K, and 5000K CCT
- Use the Dim-to-Warm select switch option to choose between 3000K to 1800K or 2700K to 1800K, the light will have a warmer color temperature as the fixture dims
- Factory default is set to 3000K
- Use the 3-position Lumen Select switch to choose the brightness level (Low, Medium, High)
- Lumen Select factory default is to the highest lumen option

### Optics

- Field installable TIR optics with a smooth beam, no media necessary
- Color and softening lenses are options for the 3" and 4" adjustable.
- Available in 25° spot, 40° flood, 55° wide flood optics
- Up to 1 optical media accessories can be used in the 3" and 4" adjustable while still maintaining maximum tilt angle

### LED Array

- LED COB provides a uniform light source with high efficiency and no pixilation
- 90+ CRI minimum, R9 greater than 50
- Color accuracy is 3 SDCM at the end points and 4 in the middle providing color consistency and uniformity
- Color Temperature (CCT) is set to a factory default of 3000K

### Junction Box

- Die formed metal driver/ junction box with captive hinged junction box cover
- Listed for (6) #12 AWG 90°C splice conductors, 2-in, 2-out plus (2) ground
- 3" and 4" fixtures - (4) ½" conduit pry-outs
- 2" fixtures – (3) ½" conduit pry-outs
  - Accepts 14-2, 14-3, 12-2, 12-3 U.S. and 14-2, 14-3, 12-2 Canadian NM Cable
- (2) Slide-N-Side™ non-metallic (NM) wire traps accept
  - Accepts 14-2, 14-3, 12-2, 12-3 U.S. and 14-2, 14-3, 12-2 Canadian NM Cable
- (3) 4-port push wire nuts with clear caps for quick and reliable mains voltage connections

### Driver

- Available in 120V 60Hz or 120V-277 50/60Hz, constant current driver provides noise-free, high-efficiency operation
- **Dimmable:** Continuous, flicker-free dimming from 100% to 5% with:
  - Compatible leading or trailing edge (LE/TE) 120V phase cut dimmers; (See Dimming Guide for compatible dimmers.)
  - Optional 0-10V 120V-277V dimmers; (See Dimming Guide for compatible dimmers)
  - **Tip:** For optimal dimming performance, consider dimmers with low-end trim adjustment; Note that some dimmers require a neutral wire in the box.
- **Wiring:** Includes quick connect push connectors for mains power connections.
- Plenum rated inline electrical quick connect provides low voltage connection to fixture fitting, CMP/FT6 rated

### Installation

- Can be installed in 3/8" to 1-1/2" thick ceilings
- Round or Square ceiling cutout
- Heat treated springs hold fixture fitting securely in the ceiling eliminating light leaks
- Can be removed from below the ceiling for service or replacement

### Mounting Frame

- Galvanized steel mounting frame with offset aperture and integral bar hanger receivers
- Locking screws provide positive horizontal locking
- Captive thumbscrews provide toolless attachment of the fixture's remote driver / junction box to the mounting frame for wiring during rough-in phase
- 3/8" drywall collar included to improve hole locating and drywall cutting process
- Collar is notched at 90° intervals for laser centering
- GOT NAIL! Gen 3 bar hangers adjust from 8" to 24" wide
- Pass thru feature allows shortening without removal
- Captive nail penetrates standard and engineered lumber
- Mounting flange levels platform with ceiling
- Integral clip attaches directly to tee-bar.

### Emergency Mini Inverter

- Provides 90 minutes of 10VA emergency power to lighting fixtures
- 0-10V Auto dimming allows up to 50VA max dimmable load
- 10VA max non-dimmable load
- Automatic 120VAC or 277VAC output power to driver or ballast means easy field install
- UL924 and CSA 22.2 No.141 listed for field or factory installation
- Remote mounting up to 250 feet
- Maintenance free lithium-ion battery
- See Mini Inverter Spec Sheet for more information

### Airtite

- The Adjustable meets Airtight ASTM-E283 requirements with included gasket and lens included in trim (default)

### Trim Options

- Magnetic Round and Square polycarbonate trims are available in multiple colors
  - Matte White
  - Satin Nickel
  - Matte Black
- Trim cut off to reduce glare

### Compliance

- cULus certified for US and Canada
- Wet location listed with included lens
- Airtight per ASTM-E283
- Suitable for use in clothes closets when installed in accordance with the NEC 410.16 spacing requirements
- EMI/RFI emissions per FCC 47CFR Part 15 consumer limits
- Contains no mercury or lead and RoHS compliant<sup>(1)</sup>
- Photometric testing in accordance with IES LM-79-08
- Lumen maintenance projections in accordance with IES LM-80-08 and TM-21-11
- Can be used for State of California Title 24 high efficacy LED compliance under JA8<sup>(1)</sup>, reference Modernized Appliance Efficiency Database System (MAEDBS) for 2022 JA8 High Efficacy Lighting

### Warranty

- Five year limited warranty, consult website for details. [www.cooperlighting.com/warranty](http://www.cooperlighting.com/warranty)

### Controls

#### Connected Lighting System

Two WaveLinX connected solutions. Refer to WaveLinX website for details [www.cooperlighting.com](http://www.cooperlighting.com). [WaveLinX PRO Tilemount Sensor Kit](#)

- WaveLinX PRO WTA tilemount sensor kit offers daylight dimming, PIR motion sensing, scene and zone configuration, automatic commissioning; and optional RLTS - RealTime Location Services available.

#### [WaveLinX LITE Tilemount Sensor Kit](#)

- WaveLinX LITE WTK tilemount sensor kit offers daylight dimming and PIR motion sensing, scene and grouping configuration.

#### [WaveLinX Tilemount Kits Application:](#)

- The WTA and WTK tilemount kits include a control module mounted on the luminaire junction box via 1/2" knock-out, and a tilemount sensor on 54-inch whip; for ceiling installation by direct-mount spring clips or via mounting bracket in octagon ceiling boxes.
- The WTA and WTK tilemount kits may be ordered as factory installed on the luminaire, or ordered separately as a field installed accessory kit.
- **Note: WaveLinX PRO devices are only compatible with the WaveLinX PRO system.**
- **Note: WaveLinX LITE devices are only compatible with the WaveLinX LITE system.**

## Energy Data

ML3 Triac (High Lumen)	120V
Input Power (W)	9.67
Input Current (A)	0.082
PF	> 0.9
THDi (%)	< 20
Inrush Current (A)	0.98
Inrush Duration (µs)	115
Sound (dBA)	< 22

ML3 Triac (Mid Lumen)	120V
Input Power (W)	6.55
Input Current (A)	0.056
PF	>0.9
THDi (%)	< 20
Inrush Current (A)	0.99
Inrush Duration (µs)	125
Sound (dBA)	< 22

ML3 Triac (Low Lumen)	120V
Input Power (W)	4.16
Input Current (A)	0.037
PF	>0.9
THDi (%)	< 20
Inrush Current (A)	123
Inrush Duration (µs)	118
Sound (dBA)	< 22

ML3 D2W (High Lumen)	120V
Input Power (W)	8.39
Input Current (A)	0.072
PF	> 0.9
THDi (%)	< 20
Inrush Current (A)	2.2
Inrush Duration (µs)	39
Sound (dBA)	< 22

ML3 0-10V (High Lumen)	120V	277V
Input Power (W)	9.2	9.46
Input Current (A)	0.077	0.035
PF	> 0.9	>0.9
THDi (%)	< 20	< 20
Inrush Current (A)	0.71	1.39
Inrush Duration (µs)	102	160
Sound (dBA)	< 22	< 22

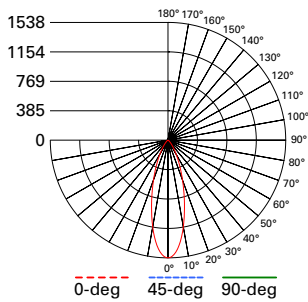
ML3 0-10V (Mid Lumen)	120V	277V
Input Power (W)	6.23	6.7
Input Current (A)	0.052	0.026
PF	> 0.9	>0.9
THDi (%)	< 20	< 20
Inrush Current (A)	0.69	1.38
Inrush Duration (µs)	100	158
Sound (dBA)	< 22	< 22

ML3 0-10V (Low Lumen)	120V	277V
Input Power (W)	3.83	4.35
Input Current (A)	0.032	0.019
PF	> 0.9	>0.9
THDi (%)	< 20	< 20
Inrush Current (A)	0.68	1.35
Inrush Duration (µs)	98	155
Sound (dBA)	< 22	< 22

## Photometric Data

[View IES files](#)

### ML3ALSFL9FS1E with 0° Tilt



#### ML3ALSFL9FS1E

Optic: TIR4D25NFL  
Trim: TL3RDMW

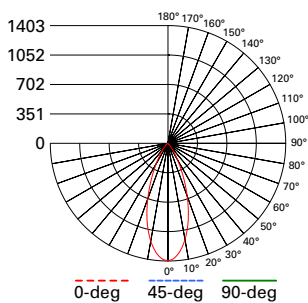
Spacing criterion: (0-180) 0.52  
(90-270) 0.52  
(Diagonal) 0.56

CCT: 3000K  
Lumens: 667 Lm  
Input Watts: 9.7 W  
Efficacy: 68.7 Lm/W  
Test Report: P990718

Zonal Lumen	Lumens	% Lumens
0-30	520	78
0-40	602	90.3
0-60	654	98.1
0-90	667	100

TM-30-15	Rf = 94.4
	Rg = 100.8
CRI/CIE	Ra = 96.1
	R9 = 74.1

Candela Table	
Angle	0°
0	1538
5	1429
15	828
25	353
35	127
45	44
55	17
65	9
75	3
85	0
90	0



#### ML3ALSFL9FS1E

Optic: TIR4D40FL  
Trim: TL3RDMW

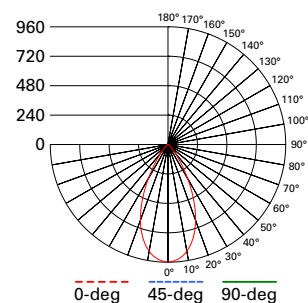
Spacing criterion: (0-180) 0.64  
(90-270) 0.64  
(Diagonal) 0.65

CCT: 3000K  
Lumens: 759 Lm  
Input Watts: 9.7 W  
Efficacy: 78.3 Lm/W  
Test Report: P990753

Zonal Lumen	Lumens	% Lumens
0-30	591	77.8
0-40	688	90.5
0-60	745	98.1
0-90	759	100

TM-30-15	Rf = 94.4
	Rg = 100.8
CRI/CIE	Ra = 96.1
	R9 = 74.1

Candela Table	
Angle	0°
0	1403
5	1341
15	954
25	450
35	148
45	48
55	19
65	10
75	3
85	0
90	0



#### ML3ALSFL9FS1E

Optic: TIR4D55WFL  
Trim: TL3RDMW

Spacing criterion: (0-180) 0.8  
(90-270) 0.8  
(Diagonal) 0.78

CCT: 3000K  
Lumens: 726 Lm  
Input Watts: 9.7 W  
Efficacy: 74.8 Lm/W  
Test Report: P990788

Zonal Lumen	Lumens	% Lumens
0-30	531	73.1
0-40	648	89.3
0-60	710	97.9
0-90	726	100

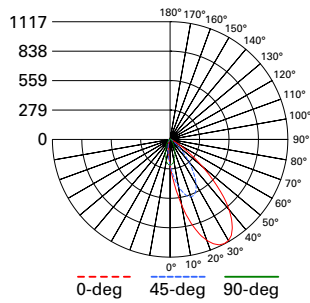
TM-30-15	Rf = 94.4
	Rg = 100.8
CRI/CIE	Ra = 96.1
	R9 = 74.1

Candela Table	
Angle	0°
0	960
5	942
15	792
25	494
35	182
45	53
55	20
65	11
75	4
85	0
90	0

## Photometric Data

[View IES files](#)

### ML3ALSFL9FS1E with 30° Tilt



#### ML3ALSFL9FS1E

Optic: TIR4D40FL  
 Trim: TL3RDMW  
 Spacing criterion: (0-180) 1.97  
 (90-270) 0.68  
 (Diagonal) 1.21  
 CCT: 3000K  
 Lumens: 586  
 Input Watts: 9.7 W  
 Efficacy: 60.4 Lm/W  
 Test Report: P990748

Candela Table			
Angle	0°	45°	90°
0	245	245	245
5	408	345	235
15	857	540	173
25	1107	564	99
35	1030	389	50
45	637	168	26
55	198	48	16
65	34	14	11
75	4	5	6
85	3	3	3
90	0	0	0

Zonal Lumen	Lumens	% Lumens
0-30	257	43.9
0-40	410	70
0-60	558	95.3
0-90	586	100

TM-30-15	Rf = 94.4
	Rg = 100.8
CRI/CIE	Ra = 96.1
	R9 = 74.1

#### CCT Multipliers – 90CRI

2700K	3000K	3500K	4000K	5000K
0.96	1.00	1.03	1.05	1.10

Multipliers may be used to determine other relative CCT values

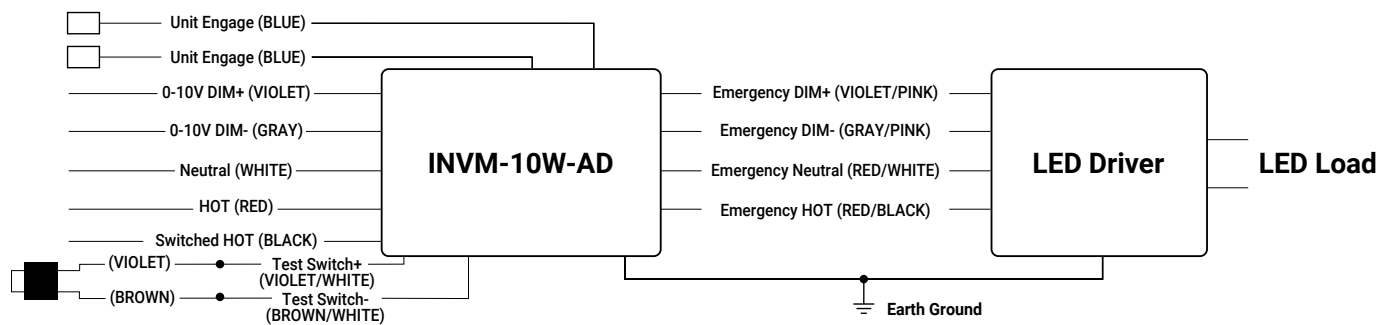
#### Color Finish Multipliers

Finish code	MW	SL	MB
Finish	Matte White	Metallic Silver	Matte Black
Multiplier	1.00	1.00	0.97

Multipliers may be used to determine relative lumen values with other cone color finishes

## Emergency Power

### Mini Inverter Schematic



## Connected Systems



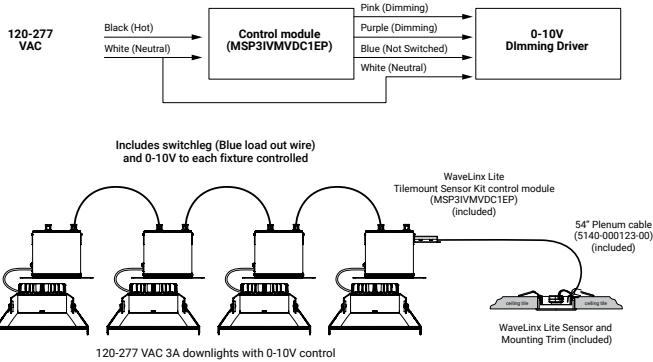
### WaveLinx LITE - WTK Tilemount Sensor

**WaveLinx LITE devices only compatible with the WaveLinx LITE system.**

- Intuitive Android™ or Apple® iOS® app for basic system code compliant set up and configuration via Bluetooth
- Up to 28 unique areas per project site (WaveLinx LITE Bluetooth network)
- Up to 50 devices for an area, any one of 16 control zones, up to 6 occupancy sets, and custom lighting scenes
- Automatic occupancy or vacancy, sensor sensitivity, daylight dimming, etc. configurable through the app
- Refer to the WaveLinx system specifications for details



#### WaveLinx LITE WTK Tilemount Wiring Diagram



#### WaveLinx LITE Bluetooth Enabled System



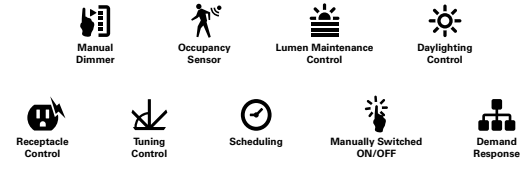
### WaveLinx PRO Wireless – WTA Tilemount Sensor

**WaveLinx PRO devices only compatible with the WaveLinx PRO system.**

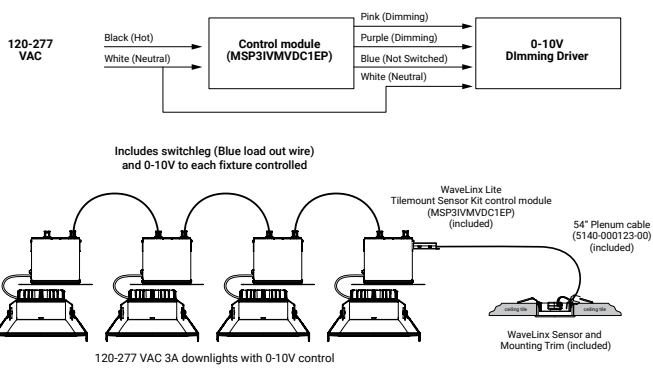
- WaveLinx PRO Wireless functionality configures zones and customizes settings from one secure mobile app
- Automatic code commissioning that meets the strictest codes
- Fixtures and sensors integrate with Wireless Area Controller, Wall Stations, and Control Devices
- Stand-Alone Offices or Entire Building Network Installations



#### WaveLinx mobile app settings



#### WaveLinx PRO WTA Tilemount Wiring Diagram



#### WaveLinx CORE Building Management Integration

