

Project		Catalog #		Type	
Prepared by		Notes		Date	



HALO

LTE4 4" Recessed Baffle LED Trim Bulk Packs

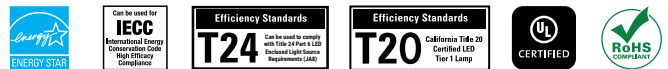
This 4" LTE LED Trim is an economical version of our LT Series with the same non-conductive, dead-front baffle trim and flat diffuse lens for installation into most 4" recessed housings. Available in 3000K and 10% flicker-free dimming in convenient 12- or 18-count bulk packs.

Typical Applications Residential

Interactive Menu

- Order Information [page 2](#)
- Product Specifications [page 2](#)
- Photometric Data [page 3](#)
- Energy & Performance Data [page 3](#)
- Product Warranty

Product Certification*



Refer to ENERGY STAR® Certified Products List. Can be used to comply with California Title 24 High Efficacy requirements. Certified to California Appliance Efficiency Database under JAS. **NOTE:** Due to T20 changes as of July 1st 2019 consult factory for current catalog number and availability for T20 compliant products.

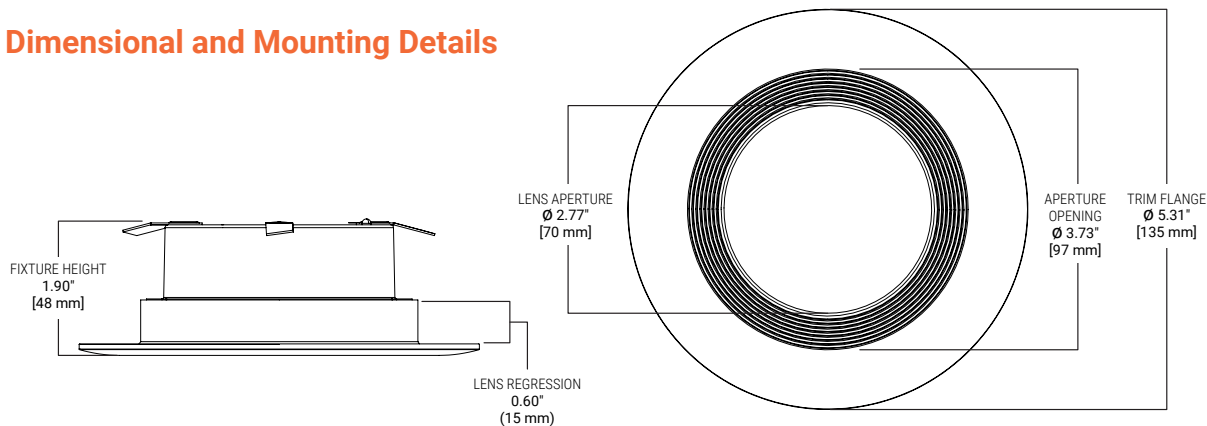
Product Features



Top Product Features

- Round 4" Recessed LED module / trim suitable for new construction, remodel, and retrofit installation in most 4" IC (insulation contact) or non-IC housings
- **Lens & Trim:** Recessed baffle trim and smooth flat diffuse lens
- **Color Temperature (CCT):** Dedicated 3000K (Bright White); 90+ CRI
- **Brightness (Lumens):** 600 lms (nominal)
- **Dimming:** Dims to 10% (phase cut LE/TE); 120V input
- Includes preinstalled Push-N-Twist universal installation clips; orange LED Quick Connect, and E26 medium socket adapter; meets AIR-TITE and code compliance for additional energy savings
- 35,000 hrs of maintenance-free operation in damp or wet locations
- 5-year warranty

Dimensional and Mounting Details



*T24 and RoHS are self-tested by Cooper Lighting Solutions. Not a third party certification.

Order Information

A complete luminaire consists of a housing and a LED integrated trim, order separately.

Catalog Number	Module	Lumens	CRI/CCT	Packaging
LTE46930-12PK	4-inch Recessed Baffle LED Trim	600 lumen, 90+ CRI, 3000K CCT	120V 60Hz, Phase Cut dimming 10%, Matte White	12 pack
LTE46930-18PK	4-inch Recessed Baffle LED Trim	600 lumen, 90+ CRI, 3000K CCT	120V 60Hz, Phase Cut dimming 10%, Matte White	18 pack

Accessories

Accessories

HE26LED = Replacement medium base (E26) screw base adapter (one included with unit)

Compatible Housings

HALO - 4" Housings¹

HALO LED	H45ICAT, H45RICAT
Standard Housings	H99ICAT, H99RTAT, H99TAT, H995ICAT, H995RICAT, H99T, H99RT, H99ICT, E4ICATSB, E4TATSB, E4RTATSB
Shallow Housings	H245ICAT, H245RICAT
Fire Rated Housings	H450FR2ICAT
Junction Box Housing	JB4FR2

¹ This fixture is UL Certified for use with any 4" diameter recessed luminaire constructed of steel or aluminum with an internal volume that exceeds 62.3 in³ addition to those noted below and does not exceed the input rating of the luminaire.

Specification Features

Module

- The LED module consists of an LED array, optical assembly, driver, and self-flanged trim
- Round recessed baffle trim and smooth flat lens
- Integral aluminum heat sink provides passive thermal cooling achieving L70 at 35,000 hrs in IC (insulation contact) and non-IC applications

LED Array

- Color temperature (CCT): Available in dedicated 3000K (Bright White)
- Mid-power LED array provides a uniform light source with high efficiency, long life, and no pixilation
- 90+ CRI minimum, R9 greater than 50
- Color accuracy at 4 SDCM in between endpoints provides color consistency and uniformity

Optical Assembly

- Optical assembly provides wide light distribution – useful for general area and task lighting
- Diffuse injection- molded lens with smooth flat profile
- Meets ENERGY STAR® color angular uniformity requirements

Driver

- Integral 120V 60Hz constant current driver provides noise-free, high- efficiency operation
- Dimmable:** Continuous, flicker-free dimming from 100% to 10% with compatible leading or trailing edge (LE/TE) 120V phase cut dimmers. (See Dimming Guide for compatible dimmers.)
 - Tip:** For optimal dimming performance, consider dimmers with low-end trim adjustment. Note that some dimmers require a neutral wire in the box.
- Wiring:** Includes inline electrical orange LED Quick Connect and E26 medium socket adapter for mains connection

Retention

- Push-N-Twist universal installation clips are pre-installed and designed to fit compatible recessed housings

Trim

- The one-piece step baffle and self-flanged trim ring provide lens regression and reduce light leaks
- Injection-molded plastic construction is impact-resistant and non-corrosive
- Non-conductive construction meets most local dead-front code requirements

Gasket

- Not included – due the HALO LT/LTE design, a gasket is not required to achieve AIR-TITE code requirements (caulking can be used for additional sealing if necessary for local code)

Compliance

- UL-Certified for US and Canada, type IC-suitable for direct contact with air-permeable insulation
- UL-Certified for US and Canada for use with HALO housings, classified for use with others' housings; see instruction sheet for conditions of acceptability
- Wet location-listed and IP66 ingress protection-rated
- Airtight per ASTM-E283
- Suitable for use in clothes closets when installed in accordance with the NEC 410.16 spacing requirements
- EMI/RFI emissions per FCC47CFR Part 15 consumer limits
- Contains no mercury or lead and is RoHS compliant
- Photometric testing in accordance with IES LM-79-08
- Lumen maintenance projections in accordance with IES LM-80-08 and TM-21-11
- Can be used for State of California Title 24 high-efficacy luminaire compliance; reference the California Energy Commission Title 20 Appliance Efficiency Database for current listings
- ENERGY STAR® listed; reference database for current listings
- Meets State of California voluntary lamp standards
- Lighting Facts labeled

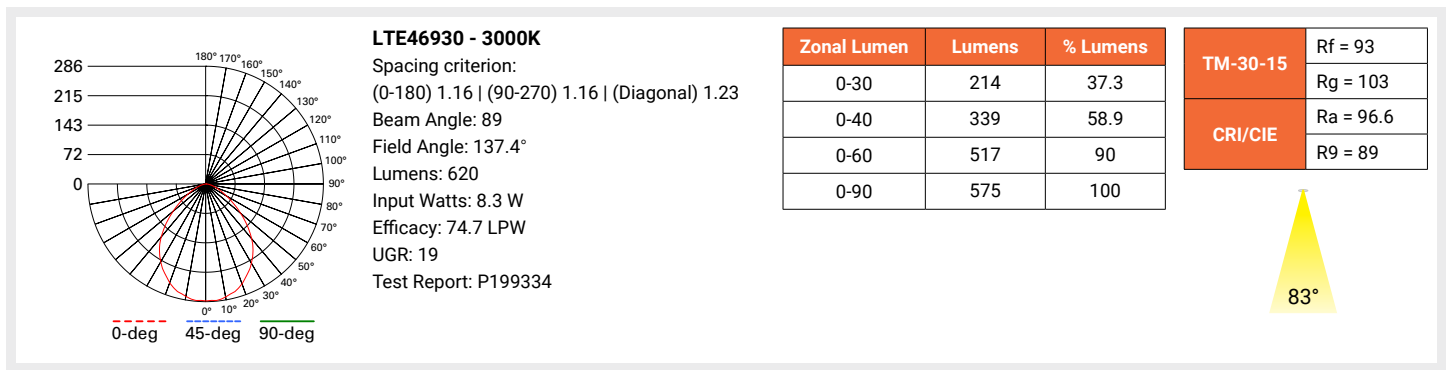
Warranty

- Five year limited warranty, consult website for details. www.cooperlighting.com/warranty

Energy Data

Energy Data	
Lumens	600 Series
Input Voltage	120V
Input Current	0.069 (mA)
Input Power	8.0 (W)
Efficiency	Up to 76 (LPW)
Inrush (A)	
THD: ≤ 24%	
PF: ≥ 0.90	
T Ambient -30 - +40°C	
Sound Rating ≤ 23dba	

Photometric Data



Product Specifications

LTE46930

PRODUCT SPECIFICATIONS		
Lumens	620	
Watts	8.3	
Lumens Per Watt (Efficacy)	74.7	
Color Accuracy (CRI)	91	
Light Color (CCT)	3000K	
Correlated Color Temperature (CCT)		
warm white	soft white	bright white
2700K	3000K	4500K 6500K