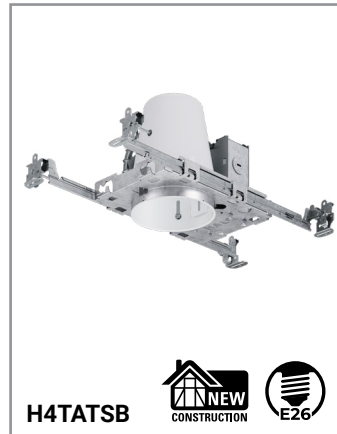


Project		Catalog #		Type	
Prepared by		Notes		Date	



# HALO

## H4ICATSB / H4TATSB H4 4" Traditional Socket-Based New Construction Recessed Housings – IC and Non-IC Rated Options

The H4 recessed housing series is designed for both light commercial and residential new construction in 2x6 framing. The H4 family features an Air-Tite™ full-frame design, robust construction, feed-through listing, Got Nail!® Bar Hangers, and Slide-N-Side™ wiring compartments with captive screws and KOs. H4 housings are available for both IC and Non-IC applications and use a standard E26 socket, making them compatible with all HALO 4-inch LED trims as well as traditional trims using lamps (light bulbs).

**Typical Applications** Residential • Light Commercial



### Interactive Menu

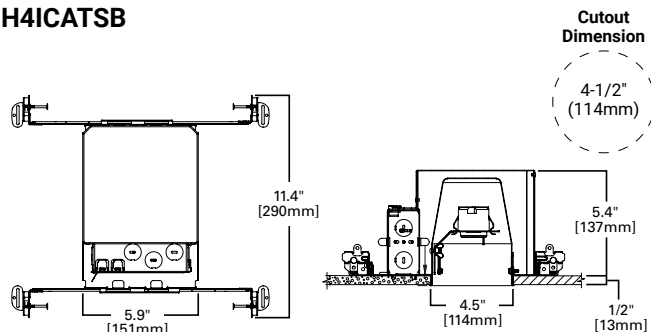
- Order Information page 2
- Product Specification page 3
- Product Warranty

### Top Product Features

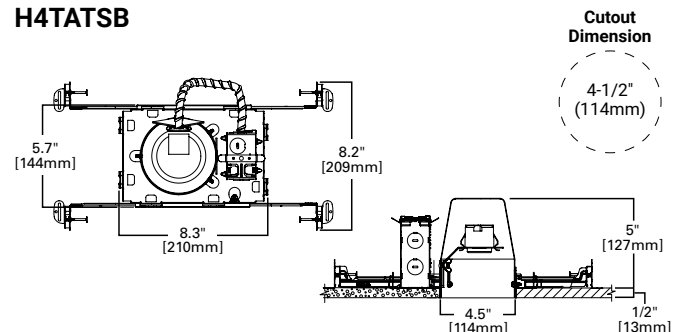
- Ideal for both commercial / residential new construction applications in T-grid or 2x6 framing
- Got Nail!™ Bar Hangers with pre-installed nails, automatic leveling flange, T-grid compatible and more
- Q-Channel bars with Pass-N-Thru™ increase rigidity and stability, while allowing for tool-less shortening (12" to 24")
- Plaster Frame with regressed locking screws for locking Bar Hangers and housing adjustment to accommodate up to 1"-thick ceilings
- Junction box with Slide-N-Side™ Wire Traps for fast wiring of non-metallic sheathed cable, along with multiple 1/2" knockouts for conduit
- Compatible with all 4" HALO LED Trims and Traditional Trims for use with multiple lamp/light bulb types

### Dimensional and Mounting Details

#### H4ICATSB



#### H4TATSB







## Order Information




Catalog Number	Description	IC Rating (Insulation Contact)	AIR-TITE™	Bracket	Framing (Plenum Space)	Connection (E26 Socket or Orange LED Quick Connect)	Slide-N-Side™ Wire Traps	1/2" KOs (Knockouts)	Wiring (4-port Push-in Connectors)	Input Voltage
<b>H4ICATSB</b>	H4 4" New Construction Recessed Housing	•	•	•	2x6	E26 Medium Base Socket	3	4	3	120V
<b>H4TATSB</b>	H4 4" New Construction Recessed Housing		•	•	2x6	E26 Medium Base Socket	3	4	3	120V

## Complete your downlights with HALO Recessed LED Trims

(LED Trims sold separately and include E26 Socket Adapter)

Downlights							
							
<b>LTE Recessed LED Trims</b> 4", 5"/6"	<b>LT Recessed LED Trims</b> 4", 5"/6"	<b>HLBT Slim LED Trims</b> 4", 6"	<b>CJB Canless-to-Can Integrated J-Box LED Downlights</b> 4", 6"	<b>RL Recessed LED Trims</b> 3", 4", 5"/6"	<b>RSQ Square Recessed LED Trims</b> 4", 5", 6"	<b>RLD Deep Baffle Recessed LED Trims</b> 4", 5"/6"	<b>ML4 Recessed LED Modules + Trims</b> 4"

Adjustable	
	
<b>LA Recessed Adjustable Gimbal LED Trims</b> 4", 5"/6"	<b>RA Recessed Adjustable Gimbal LED Trims</b> 3", 4", 5"/6"

Specialty		
		
<b>Night Light Recessed LED Trims</b> 4", 5"/6"	<b>RL Smart Wi-Fi Recessed LED Trims</b> 4", 5"/6"	<b>RL Dual Zone Smart Wi-Fi Recessed LED Trims</b> 4", 5"/6"

## Traditional Trims

Traditional Trims for use with lamps (light bulbs)			
Reflectors	Baffles	Adjustables	Lens/Wet Location
<b>999P</b> = Specular Clear Reflector, White Trim <b>999SN</b> = Satin Nickel Reflector, Satin Nickel Trim <b>999TBZ</b> = Tuscan Bronze Reflector, Tuscan Bronze Trim	<b>953P</b> = 4" Precision Metal Black Baffle, White Trim <b>953SN</b> = 4" Precision Metal Satin Nickel Baffle, Satin Nickel Trim	<b>996P</b> = 4" White Eyeball, White Trim, 15 Degree Tilt (PAR 20 Lamp) <b>996SN</b> = 4" Satin Nickel Eyeball, Satin Nickel Trim, 15 Degree Tilt (PAR 20 Lamp) <b>996TBZ</b> = 4" Tuscan Bronze Eyeball, Tuscan Bronze Trim, 15 Degree Tilt (PAR 20 Lamp)	<b>951PS</b> = 4" Prismatic Glass Lens with full Cone Reflector, White Trim <b>951SNS</b> = 4" Prismatic Glass Lens with full Cone Reflector, Satin Nickel Trim
<b>4003SC</b> = 4" Specular Reflector, White Trim	<b>993P</b> = 4" Coilex Black Baffle, White Trim <b>993SN</b> = 4" Coilex Black Baffle, Satin Nickel Trim <b>993W</b> = 4" Coilex White Baffle, White Trim	<b>998P</b> = 4" White Eyeball, White Trim, 30 Degree Tilt (PAR16 Lamp) <b>998SN</b> = 4" Satin Nickel Eyeball, Satin Nickel Trim, 30 Degree Tilt (PAR16 Lamp) <b>998TBZ</b> = 4" Tuscan Bronze Eyeball, Tuscan Bronze Trim, 30 Degree Tilt (PAR16 Lamp)	<b>4055WH</b> = 4" Prismatic Glass Lens with Cut-Cone Reflector, White Plastic Trim
	<b>4001WB</b> = 4" White Plastic Step Baffle, White Trim <b>4001BB</b> = 4" Black Plastic Step Baffle, White Trim	<b>4002WH</b> = 4" White Eyeball, White Trim, 30 Degree Tilt (PAR 16 Lamp)	
	<b>4013WB</b> = 4" White Full Cone Baffle, White Self Flange Trim		

## Product Specifications

### Housing

- Outer Housing – Aluminum Construction (IC-Rated Housing Only)
- Inner Housing – Double Wall aluminum construction helps dissipate heat. (IC-Rated Housing Only)
- Die-formed CRS (Non IC-Rated Housing Only)
- Exclusive AIR-TITE™ gasket meets code where required; Seals between housing, frame and finished ceiling (without need for additional caulk)
- Housing may be removed from the plaster frame to provide access to junction box
- Designed for insulated ceilings in direct contact with air-permeable insulation (may also be installed in non-insulated ceilings) (IC-Rated Housing Only)

### Socket Plate

- Rigid construction adjusts and locks without tools for various lamp sizes
- Socket plate and bracket may be removed when using socket supporting trims

### Socket

- Porcelain E26 medium-based socket with nickel plated brass screw shell
- Snap-in springs secure socket to socket plate, and may be detached when using socket supporting trims
- Included overspray protector keeps socket clean during construction

### Plaster Frame

- Housing adjusts in plaster frame to accommodate 3/8" to 1" ceiling thicknesses
- Galvanized steel construction
- Plaster frame features include:
  - Regressed locking screw for securing hanger bars
  - Cutouts for easily crimping hanger bars in position
  - Halo name embossed on plaster frame
  - The housing may be removed from plaster frame to provide access to the junction box
  - Pre-installed Air-Tite ready ceiling contact gasket
  - Reposition hanger bars by 90° - H4TATSB only

### Got Nail!™ Bar Hanger Bracket

Bar Hanger Features include:

- Pre-installed nail easily installs in regular lumber, engineered lumber and laminated beams
- Safety and guidance system prevents snagging, ensures smooth straight nail penetration and allows bar hangers to be easily removed if necessary
- Automatic leveling flange aligns the housing and lets you hold the housing in place with one hand while driving nails
- Five additional mounting points
- Mounting point on top for hanger wire connection
- Integral T-bar clips snaps onto T-bars (No additional hardware/clips required)

### q-Channel bars with Pass-N-Thru™

- q-Channel bars feature a unique inverted "q" interlocking channel for rigidity and stability
- Pass-N-Thru™ feature allows bars to cross-over for tool-less shortening in tight spaces less than 12" without removing from the plaster frame.
- Push bars together and flex at score hole break points
- Housing can be positioned at any point within 24" joist span

### Slide-N-Side™ Junction Box

- Positioned to accommodate straight conduit runs
- Three Slide-N-Side™ wire traps allow non-metallic(NM) sheathed cable to be installed without tools or without removing knockouts
- Allows wiring connections to be made outside the junction box
- Simply insert the cable directly into the trap after connections are made
- Accommodates the following standard non-metallic (NM) sheathed cable types for both U.S. and Canada: (US) #14/2, #14/3, #12/2, #12/3; (Canada) #14/2, #14/3, #12/2
- Four 1/2" conduit pry-outs accommodate straight conduit runs
- cULus Listed compact 24.5cu. in. (H4ICATSB), 14.3cu.in. (H4TATSB) box volume; listed for maximum ten No. 12 AWG or fourteen No. 14 AWG 90° C splice conductors in the box

### Quick Connect™ Push-in Wire Nuts

- Three 4-port push-in "Quick Connect" wire nuts pre-installed
- Speeds installation and increases reliability
- Simply strip and insert supply wires
- No additional wire nuts required

### Universal Locking Screw

- One recessed locking screw accessible from below the ceiling to secure bar hanger length
- Three recessed locking screw accessible from below the ceiling to secure the housing ceiling thickness
- Universal screw head (hex, slot or Phillips)

### Thermal Protector

- Self-resetting
- Deactivates fixture if overheating occurs due to improper lamping or misapplied insulation

### Trims

- HALO Fit-All concept offers multiple trim options in a variety of design styles and functional beam distributions to control beam angle and lumen delivery in accommodating various light sources: LED Trims or lamps (light bulbs: LED, halogen, CFL (compact fluorescent), and incandescent)

### Compliance

- Type IC inherently protected, suitable for direct contact to air permeable insulation and cULus listed for damp locations
  - Not for use in direct contact with spray foam insulation, consult NEMA LSD57-2013
  - Wet location listed in covered ceilings and IP56 certified with select trims
  - cULus Listed 1598 luminaire
  - cULus Listed damp location
  - cULus Listed for wet location, covered ceiling with select trims
  - cULus Listed for feed through
  - cULus Listed for direct contact with insulation and combustible material\*
  - Certified under ASTM E283 (gasket included)
  - AIR-TITE™ code compliant; Not exceeding 2.0 cfm (0.944 L/s) air leakage rate tested at a 1.57 psf (75 Pa) pressure differential
  - RoHS compliant
  - Options to meet Trade Agreements Act requirements
- \*Not to be used in direct contact with spray foam insulation (consult NEMA LSD57-2013)

### Warranty

- Five-year limited warranty, consult website for details. [www.cooperlighting.com/warranty](http://www.cooperlighting.com/warranty)