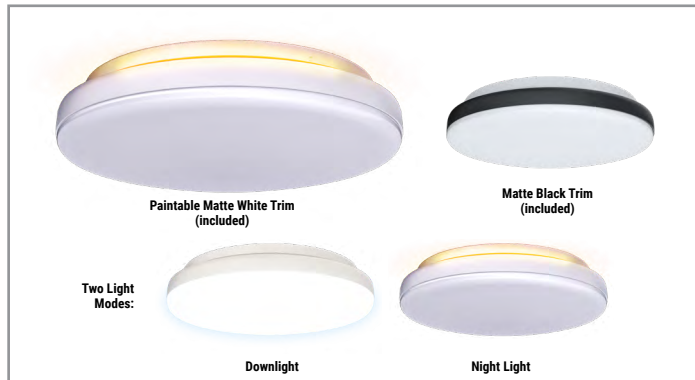


Project		Catalog #		Type	
Prepared by		Notes		Date	



HALO

FMNL 11" Flush Mount LED Downlight with Night Light

This Flush Mount features two lighting modes: double-toggle any standard switch or dimmer to change between bright downlighting or a warm glowing night light halo. Fixture mounts to 30 / 40 standard or pancake junction boxes or 5"/6" recessed housings and comes with Paintable Matte White and Matte Black trim rings.

Typical Applications Residential - Multifamily - Hospitality - Healthcare - Retail

Interactive Menu

- Order Information page 2
- Product Specifications page 3
- Energy Data page 4
- Photometric Data page 4
- Product Warranty

Top Product Features

- Round 11" Flush Mount LED Downlight with Night Light
- Installs in 30 / 40 junction boxes or 5"/6" recessed housings
- **Two Lighting Modes:**
 - Downlight is 5-Color SeleCCTable™: 27/30/35/40/5000K (soft white to daylight)
 - Night Light is set to candlelight (2000K)
- Double-toggle wall switch/dimmer (ON/OFF/ON) to change light modes
- **Lumens (@3000K):** 1185 (90+ CRI)
- **Dimming:** Flicker free dimming down to 10%
- Comes with 2 Trim Rings inside the box (Paintable Matte White and Matte Black)
- Damp Location Listed
- **Life:** 50,000 hrs of maintenance-free operation
- 5-year warranty

Product Certification

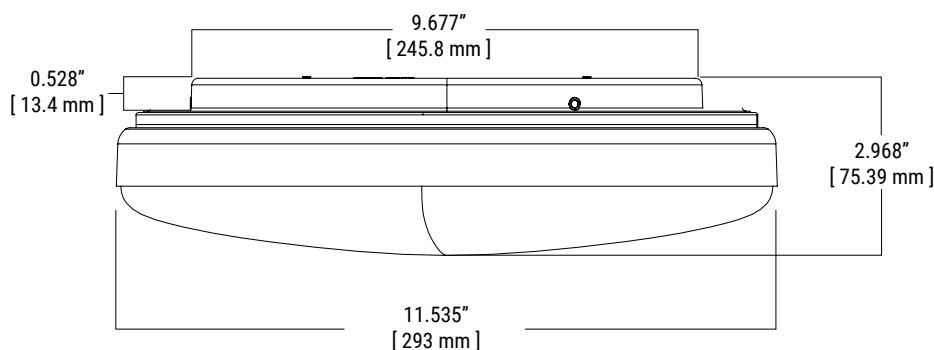


Can be used to comply with California Title 24 High Efficacy requirements. Certified to California Appliance Efficiency Database under JAS.

Product Features



Dimensional and Mounting Details



Order Information

Surface mount downlight mount to junction boxes or 5"/6" recessed housings (sold separately)

Catalog Number	Module	Lumens (@3000K)	CCT	CRI	Driver/Dimming	Accessory Trim included in Box	Packaging
FMNL1112FS5	11-inch Flush Mount LED Downlight with Night Light	1185 lm	5-Color Field-SeleCCTable™ CCT: 2700K/3000K/3500K/4000K/5000K	90 CRI	120V 60Hz, LE & TE phase cut 100–10% dimming	Paintable Matte White + Matte Black	Plastic-free Recyclable

Decorative Overlays (Included)



Paintable Matte White



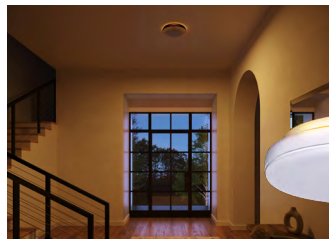
Matte Black

Light Modes

Double-toggle wall switch/dimmer (ON/OFF/ON) to change light modes



Downlight



Night Light

Compatible Junction Boxes³



Pancake Steel Round ceiling Pan
4" Diameter x 13/16"



Octagon Steel Light Fixture w/Fan Box
4" x 4" x 2-1/8"



Octagon Steel Light Fixture w/Fan Box
3-1/2" Diameter x 1-1/2" Deep



Round New Work Fixture Box (Plastic)
4" Diameter x 2-3/18"



Round New Work Ceiling Box (Plastic)
3-1/2" Diameter x 2-3/4"



Round Old Work Box (Plastic)
4-1/4" Diameter flange (3-1/2" I.D.) x 2-5/8"



Pancake Steel Round ceiling Pan
3" Diameter x 13/16"



Round New Work Fixture Box (Plastic) w/Bar Hanger
4" x 2-3/18"



TP316 For non-metallic cable
4" x 4" x 2-1/8"



TP317 For metal clad cable
4" x 4" x 2-1/8"



JB4FR2 4" NC JBox for Fire Rated Ceilings
4" diameter x 5-1/2" (102mm x 140mm)

³ This is a representative list of compatible junction boxes only. Information contained in this literature about other manufacturers' products is from published information made available by the manufacturer and is deemed to be reliable, but has not been verified. Cooper Lighting Solutions makes no specific recommendation on product selection and there are no warranties of performance or compatibility implied. Installer must determine that site conditions are suitable to allow proper installation of the mounting bracket in the box.

Compatible Housings

HALO - 5" Housings⁴

HALO LED Housings	H550ICAT, H550RICAT
Standard Housings	H5ICAT, H5ICATNB, H5RICAT
Shallow Housings	H2550ICAT
Fire Rated Housings	H550FR2ICAT

4. This fixture is UL Certified for use with any 5" diameter recessed housing constructed of steel or aluminum with an internal volume that exceeds 107.9" in³ addition to those noted below and does not exceed the input rating of the housing.

HALO - 6" Housings⁵

HALO LED	H750ICAT, H750RICAT, H2750ICAT, H2750RICAT
Standard Housing	H7ICAT, H7ICATNB, H7RICAT, H7RICT, H7ICATNB
Shallow Housing	H27ICAT, H27RICAT, H2750ICAT
Fire Rated Housing	H750FR2ICAT

5. The fixture is UL Certified for use with any 6" diameter recessed luminaire constructed of steel or aluminum with an internal volume that exceeds 97.4 in³ addition to those noted below and does not exceed the input rating of the luminaire.

Specification Features

Fixture

- Stamped metal fixture frame, a twist-release acrylic lens, and interchangeable trim rings (paintable matte white and matte black included)
- 2 Light Modes: Downlight and Night Light
 - To change between light modes – double-toggle the wall switch/dimmer (ON/OFF/ON)
 - All fixtures will return to downlight mode after being OFF for >3 seconds.
- Integral metal heat sink provides passive thermal cooling achieving L70 at 50,000 hrs in IC (insulation contact) and non-IC applications

LED Array

- Color Temperatures (CCT):
 - Night Light is set to 2000K
 - Downlight is 5-Color SeleCCTable™: 27/30/35/40/5000K
- Factory downlight mode default color temperature (CCT) is set to bright white (3000K)
- Color Quality: 90+ CRI (min)
- Backlit LED technology
- Expected Life: L70 at 50,000 hours projected in accordance with TM-21

Optical Assembly

- A collection of low-power LEDs beneath precision-engineered optics provide uniform lighting from behind a low-profile convex lens.
- Removable twist-release polycarbonate lens for easy installation

Driver & Dimming

- Integral 120V 60Hz constant current driver provides noise-free, high-efficiency operation
- Dimmable: Continuous, flicker-free phase cut (leading-edge/trailing-edge - LE/TE) dimming from 100% to 10% output with compatible dimmers
- See this fixture's Dimming Guide for compatible dimmers

Tip: For optimal dimming performance, consider dimmers with low-end trim adjustment; note that some dimmers require a neutral wire in the box

Wiring

- Wire nuts provided for mains connections in junction boxes.
- Included orange LED Quick Connect and E26 medium socket adapter provide mains connections in 5"/6" Traditional socket-based or LED-based recessed housings.
- Reference installation instructions for complete wiring and mounting steps

Electrical Junction Box Mounting

- Installs from below the ceiling into most standard and pancake 30 and 40 (3-½" and 4") round/octagonal junction boxes with included hardware
- May be used in compatible electrical junction boxes in direct contact with insulation, including spray foam insulation
- Installer must ensure compatibility of fit, wiring, and proper mounting in the electrical junction box. This includes all applicable national and local electrical and building codes. Refer to NEMA LSD 57-2013.
- Reference installation instructions for complete wiring and mounting steps

Recessed Housing Mounting

- The included wire nuts, orange LED Quick Connect, E26 medium socket adapter, and torsion springs provide easy mounting to recessed housings (non-California product only)

- Compatible with 5" and 6" new construction or remodel traditional socket-based or LED-based recessed housings
- Suitable for use in IC-rated housings in contact with air-permeable insulation. (Not for use in recessed housings in direct contact with spray foam insulation; refer to NEMA LSD 57-2013)
- Reference installation instructions for complete wiring and mounting steps

Compliance

- cULus certified for US and Canada
- Damp location listed
- Suitable for use in clothes closets when installed in accordance with the NEC 410.16 spacing requirements
- EMI/RFI emissions per FCC 47CFR Part 15 consumer limits
- Contains no mercury or lead and RoHS compliant*
- Photometric testing in accordance with IES LM-79-08
- Lumen maintenance projections in accordance with IES LM-80-08 and TM-21-11
- Certified to State of California Title 20, State regulated LED Lamp; reference Modernized Appliance Efficiency Database System (MAEDBS) for State-regulated LED Lamp
- Can be used for State of California Title 24 high efficacy LED compliance under JA8*, reference Modernized Appliance Efficiency Database System (MAEDBS) for 2019 JA8 High Efficacy Lighting

Warranty

- Five-year limited warranty, consult website for details.

www.cooperlighting.com/warranty

Energy Data

FMNL11 - 1200 Lumen

Lumens (nominal) Main Light	1100LM
Lumens (nominal) Night Light	90-120LM
Input Voltage(VAC)	120
Input Current(A)- Main Light	0.1A
Input Power(W)-Main Light	12W
Input Current(A)- Night Light	0.09A
Input Power(W)-Night Light	10.8W
Driver Efficiency(%)	79
Inrush(A)	<3A
THDi%	<20
PF	>0.9
T Ambient	-30~40
Sound Rating	≤22DB
Efficacy(LPW)	≥90

Photometric Data

FMNL1112FS5-3000K

Spacing Criteria (0/90/45):
1.32/1.32/1.44

Beam Angle: 122°
Field Angle: 180°
Lumens: 1170
Input Watts: 12.8W
Efficacy: 91.4 LPW
UGR: 26
Test Report: P1046638

Zonal Lumen	Lumens	% Lumens
0-30	265	22.7
0-40	440	37.6
0-60	804	68.8
0-90	1103	94.3
90-180	66	5.6
0-180	1170	100

TM-30-15	Rf = 92
	Rg = 103
CRI/CIE	Ra = 93
	R9 = 74

CCT - Range of 2700K- 5000K

122°

FMNL11 5CCT				
CCT	Watts	lumens	LPW	CRI
2700K	12.5	1180	94.4	93
3000K	12.7	1185	93.3	93
3500K	12.6	1180	93.7	93
4000K	12.6	1170	92.9	93
5000K	12.6	1150	91.3	93
Night Light 2000K	10.9	110	10.1	93

FMNL1112FS5-3000K

PRODUCT SPECIFICATIONS	
Lumens	1185
Watts	12.7
Lumens Per Watt (Efficacy)	93.3
Color Accuracy (CRI)	93
Light Color (CCT)	3000K (default)
<small>Correlated Color Temperature (CCT)</small> 	
<small>soft white</small> <small>daylight</small> Selectable Colors	