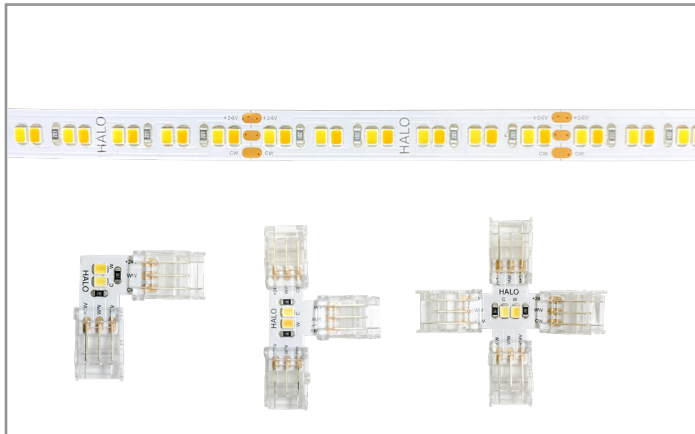


Catalog #		Date		Prepared by	
Project		Type		Notes	



HALO

HFL Flexible Linear LED Tape

HALO Flexible Linear LED Tape delivers professional-grade high-density linear lighting with built-in versatility. Selectable color temperature at the driver, industry-leading LED-integrated connectors for smooth, continuous illumination, and multiple mounting options make it an ideal solution for accent, task, and cove applications while delivering premium performance and exceptional value.

Typical Applications

Residential • Hospitality • Education • Retail

Interactive Menu

- Order Information page 2
- Product Specifications page 5
- Product Warranty page 5
- Dimensions page 6



Top Product Features

- 24V Flexible Dimmable LED Tape: 24 ft and 96 ft spools
- Lumen outputs: 200 lm/ft and 400 lm/ft
- High-density LED spacing for smooth linear illumination (60 LEDs/ft)
- Max run: up to 47 ft (200 lm/ft tape with 100W driver)
- 5-color Field-SeleCCTable™ (27/30/35/40/5000K); 90+ CRI
- Field-cutttable every 2.5 in. with preinstalled 3M® adhesive backing

- Connectors:
 - o Tape-to-tape with integrated LEDs for continuous illumination
 - o Tape-to-wire Connectors
- Field-cutttable lensed aluminum channels (Surface: Shallow/Deep/45° Angled; Recessed: Deep)
- Drivers (5% dimming):
 - o 60W & 100W Phase Cut (LE/TE) Dimming Driver (120V)
 - o 50W & 100W 0–10V Dimming Driver (UNV 120–277V)
- UL listed (Damp-location)
- 5-year warranty



Order Information - Essential

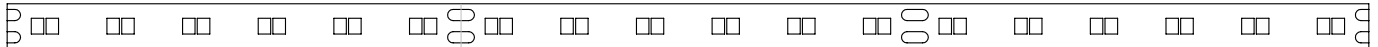
A complete setup includes: LED Tape, Driver, and Connectors. Optional Aluminum Channels and Accessory Mounting Kits also available.

LED Tape

Available in 24 ft and 96 ft spools. Field-cutable every 2.5 in. with factory-applied 3M® adhesive backing for fast, secure installation.

Each spool includes 6 ft of 18 AWG, 3-conductor low-voltage lead wire (preinstalled) and is available in 200 lm/ft or 400 lm/ft output options.

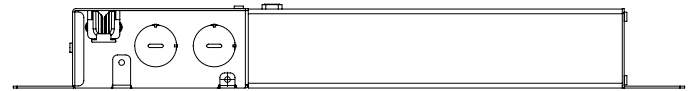
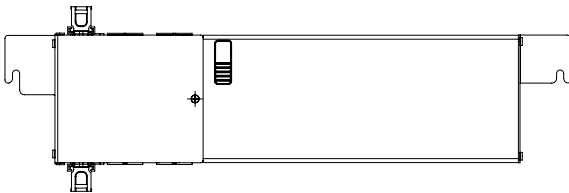
Catalog Number	Description	5-color Field-SeleCCTable™ CCT:	LEDs/ft.	Watts/ft.
HFL2001S	24 ft. Spool – 24V LED Tape (200 lm/ft)	2700/3000/3500/4000/5000K; 90+ CRI	60	2.13 W/ft
HFL2002S	96 ft. Spool – 24V LED Tape (200 lm/ft)	2700/3000/3500/4000/5000K; 90+ CRI	60	2.13 W/ft
HFL4001S	24 ft. Spool – 24V LED Tape (400 lm/ft)	2700/3000/3500/4000/5000K; 90+ CRI	60	4.26 W/ft
HFL4002S	96 ft. Spool – 24V LED Tape (400 lm/ft)	2700/3000/3500/4000/5000K; 90+ CRI	60	4.26 W/ft



Constant Voltage Drivers

Choose between phase-cut (leading edge / trailing edge) or 0–10V dimming drivers, both offering smooth dimming down to 5%. Available in two wattage options. No minimum load required.

Catalog Number	Description	Output Voltage / Maximum Load	Dimming	Max. Run (200 lm/ft tape)	Max. Run (400 lm/ft tape)
HFLP60A	60W Phase Cut (LE/TE) Dimming Driver (120V)	24V / 60W	Down to 5%	28 ft	14 ft
HFLP100A	100W Phase Cut (LE/TE) Dimming Driver (120V)	24V / 100W	Down to 5%	47 ft	23.5 ft
HFLP50B	50W 0–10V Dimming Driver (UNV 120–277V)	24V / 50W	Down to 5%	23.5 ft	11.75 ft
HFLP100B	100W 0–10V Dimming Driver (UNV 120–277V)	24V / 100W	Down to 5%	47 ft	23.5 ft



Connectors

Simplify installation with HFL connectors. Complete your system with tool-less clamping connectors, jumper cables, and illuminated angle/junction connectors with integrated LEDs to eliminate dark spots.

Image	Catalog Number	Description	Usability
	HFL01	60 in. Tape-to-Tape Jumper Cable (1-Pack)	Provides a 60-in. wire extension to connect tape light segments with spacing.
	HFL02	6 in. Tape-to-Tape Jumper Cable (1-Pack)	Provides a 6-in. wire extension to connect tape light segments with spacing.
	HFL03	Tape-to-Tape 90° Illuminated Corner Connectors with Integrated LEDs (5-Pack)	Creates a clean 90° turn between tape light segments for inside or outside corners.
	HFL04	Tape-to-Tape Straight Connectors (5-Pack)	Joins two tape light segments for straight, continuous runs.
	HFL05	Tape-to-Wire Connectors (5-Pack)	Connects tape light to 3-conductor low-voltage wire for gap bridging or routing around obstacles. No soldering required.
	HFL06	Tape-to-Tape 3-Way Illuminated Connectors with Integrated LEDs (2-Pack)	Creates a T-junction between three tape light segments for illuminated three-direction layouts.
	HFL07	Tape-to-Tape 4-Way Illuminated Connector with Integrated LEDs (2-Pack)	Creates a four-way illuminated junction by connecting four tape light segments.

Order Information - Accessories

Choose your configuration:

- Channel Bundles: All-in-one, fastest installation
- Channels + Mounting Kits: Mix and match for custom setups

Channel Bundles (All-In-One)

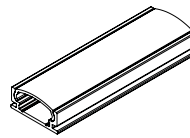
Complete solution for fast installation

Pre-configured channel bundles include aluminum channel, diffuse lens, and mounting hardware for a complete, ready-to-install solution.

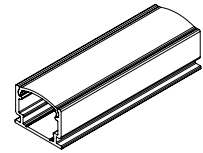
All components ship together (packaged separately). No additional components required.

- Clean, finished architectural appearance
- Diffuse lens softens LED pixilation into a smooth line of light
- Includes end caps and mounting hardware
- Ideal for quick specification and installation

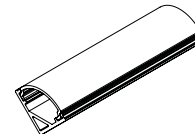
Catalog Number	Description	Lumen Loss
HFLESS4-B	4 ft Shallow Surface Mount Lensed Channel Bundle Includes: HFLESS4 Channel & HFLKSS Mounting Kit	11%
HFLESS8-B	8 ft Shallow Surface Mount Lensed Channel Bundle Includes: HFLESS8 Channel & (2) HFLKSS Mounting Kits	
HFLESD4-B	4 ft Deep Surface Mount Lensed Channel Bundle Includes: HFLESD4 Channel & HFLKSD Mounting Kit	34%
HFLESD8-B	8 ft Deep Surface Mount Lensed Channel Bundle Includes: HFLESD8 Channel & (2) HFLKSD Mounting Kits	
HFLESA4-B	4 ft 45° Angled Surface Mount Lensed Channel Bundle Includes: HFLESA4 Channel & HFLKSA Mounting Kit	12%
HFLESA8-B	8 ft 45° Angled Surface Mount Lensed Channel Bundle Includes: HFLESA8 Channel & (2) HFLKSA Mounting Kits	
HFLERD4-B	4 ft Deep Recessed Lensed Channel Bundle Includes: HFLERD4 Channel & HFLKRD Mounting Kit	34%
HFLERD8-B	8 ft Deep Recessed Lensed Channel Bundle Includes: HFLERD8 Channel & (2) HFLKRD Mounting Kits	



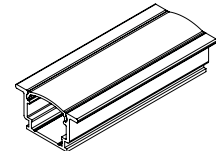
Shallow Surface
HFLESS4 / 8



Deep Surface
HFLESD4 / 8



45° Angled Surface
HFLESA4 / 8



Deep Recessed
HFLERD4 / 8

Order Information - Accessory Mounting Kits & Individual Channels (Mix and Match)

Accessory Mounting Kits

Required for channel installation

NOTE – Order a minimum of 1 mounting kit per 4 ft of channel.

Mounting kits include the essential hardware needed to securely install HFL channels.

- Includes end caps to eliminate light leakage
- Includes mounting clips and fasteners for secure installation
- Designed for compatibility with specific channel profiles
- Select the appropriate kit based on channel type

Catalog Number	Description	End Caps	Mounting Clips	Screws	Drywall Anchors
HFLKSS	Shallow Surface Mount Channel Accessory Kit (To be used with Shallow Surface Mount Channel)	2	4	4 (Self-tapping)	4
HFLKSD	Deep Surface Mount Channel Accessory Kit (To be used with Deep Surface Mount Channel)	2	4	4 (Self-tapping)	4
HFLKA	45° Angled Surface Mount Channel Accessory Kit (To be used with 45° Angled Surface Mount Channel)	2	4	4 (Self-tapping)	4
HFLKRD	Deep Recessed Channel Accessory Kit (To be used with Deep Recessed Channel)	2	4 (with Springs)	4 (Set Screws)	

Channels (Diffuse Lens Included)

For custom configurations

Aluminum channels with integrated diffuse lenses provide a clean, finished lighting detail while protecting LED tape from dust and damage.

NOTE – Accessory Mounting Kit(s) required for installation – a minimum of 1 kit per 4 feet of channel (sold separately).

- Diffuse lens creates a smooth, uniform line of light
- Enhances durability and protects LED tape
- Ideal for visible or design-forward applications
- Compatible with HFL Mounting Kits

Catalog Number	Description	Lumen Loss (from diffuse lens)	Minimum Required Channel Mounting Kits (to be purchased separately)
HFLESS4	4 ft Shallow Surface Mount Lensed Channel	11%	(1) HFLKSS – Shallow Surface Mount Channel Mounting Kit
HFLESS8	8 ft Shallow Surface Mount Lensed Channel		(2) HFLKSS – Shallow Surface Mount Channel Mounting Kits
HFLESD4	4 ft Deep Surface Mount Lensed Channel	34%	(1) HFLKSD – Deep Surface Mount Channel Mounting Kit
HFLESD8	8 ft Deep Surface Mount Channel with Diffuse Lens		(1) HFLKSD – Deep Surface Mount Channel Mounting Kits
HFLESA4	4 ft 45° Angled Surface Mount Lensed Channel	12%	(1) HFLKA – 45° Surface Mount Channel Mounting Kits
HFLESA8	8 ft 45° Angled Surface Mount Lensed Channel		(2) HFLKA – 45° Surface Mount Channel Mounting Kits
HFLERD4	4 ft Deep Recessed Lensed Channel	34%	(1) HFLKRD – Deep Recessed Channel Mounting Kit
HFLERD8	8 ft Deep Recessed Lensed Channel		(2) HFLKRD – Deep Recessed Channel Mounting Kits

Product Specifications

Flexible LED Tape

- 24V DC constant voltage Flexible LED Tape for architectural accent and task lighting applications
- Available in 24 ft and 96 ft reels
- Lumen per foot outputs of 200 lm/ft and 400 lm/ft to support a range of lighting needs
- 60 LEDs per foot provide smooth linear illumination
- Field-cutable every 2.5 in. for precise length adjustments
- Dense LED spacing delivers smooth, continuous illumination
- 3M® adhesive backing enables fast and secure installation to most surfaces

LED Light Source

- High-efficiency LED light source provides uniform linear illumination
- 90+ CRI for accurate color rendering in residential and commercial environments
- Tight color consistency ensures uniform appearance across tape runs

Connectors

- Tape-to-tape and Tape-to-wire connectors available in multiple formats to support different installation requirements
- Tape-to-tape connectors feature integrated LEDs that eliminate dark gaps and maintain continuous illumination

Channels and Lenses (optional)

- Surface mount aluminum channels available in shallow, deep, and 45° angled configurations
- Recessed mount aluminum channels available in deep configuration
- Diffused lenses included with each channel to provide uniform illumination and reduce LED visibility

Drivers

- Remote constant voltage drivers available in:
 - o 120V 60Hz Phase Cut (LE/TE) Drivers in 60W and 100W
 - o UNV 120-277V 50/60Hz 0-10V drivers in 50W and 100W
- High efficiency driver design provides stable, quiet operation
- No minimum load required

Driver's Integral Junction Box

- Street driver / junction box with screw-down junction box cover
- Listed for 6#12 AWG 90° C splice conductors, 2-in, 2-out plus (2) ground
- 4- 1/2" conduit pry-outs (Knock Outs)
- (2) Slide-N-Side™ non-metallic (NM) wire traps
- Wire Nuts Provided for a secure electrical connection.
- Integral keyhole mounting slots facilitate direct mounting to structure

Dimming

- Continuous, flicker-free dimming from 100% to 5% with compatible controls
- See dimming guide for compatible dimmers
- TIP: For optimal dimming performance, consider dimmers with low-end trim adjustment; note that some dimmers require a neutral wire in the box

Installation

- Flexible LED tape design allows installation in straight runs or curved applications
- Field-cutable every 2.5 in. to accommodate custom lengths
- Integrated 3M adhesive backing simplifies installation
- Compatible with HALO diffuse-lensed aluminum channels for smooth, uniform illumination

Compliance

- Title 24 / JA8 compliant
- UL listed (damp location)
- RoHS compliant
- UL 2108 Listed for US and Canada for Low Voltage Lighting System / Low Voltage Luminaire
- EMI/RFI emissions per FCC 47CFR Part 15 consumer limits
- FCC Class B at 120V and Class A at 277V

Warranty

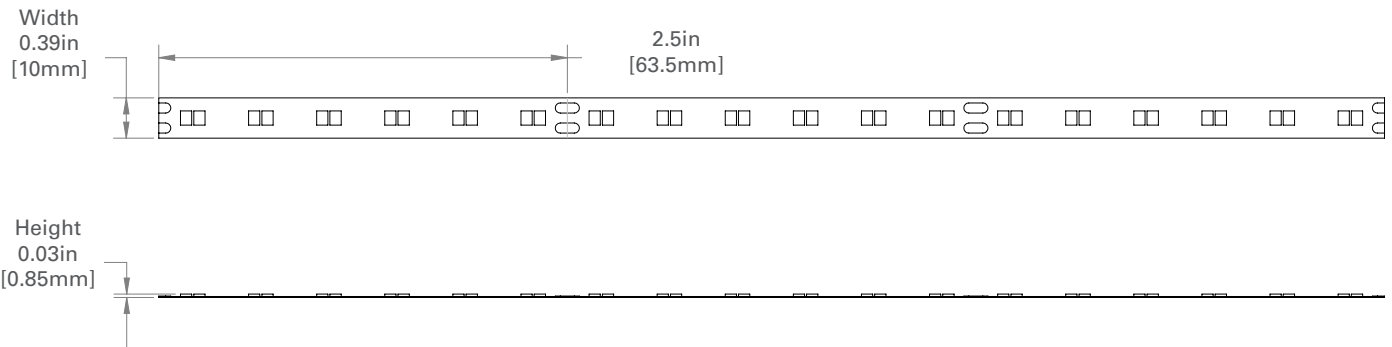
- Five-year limited warranty, consult website for details and warranty terms www.cooperlighting.com/warranty

24V Voltage Drop & Wire Length Distance Chart

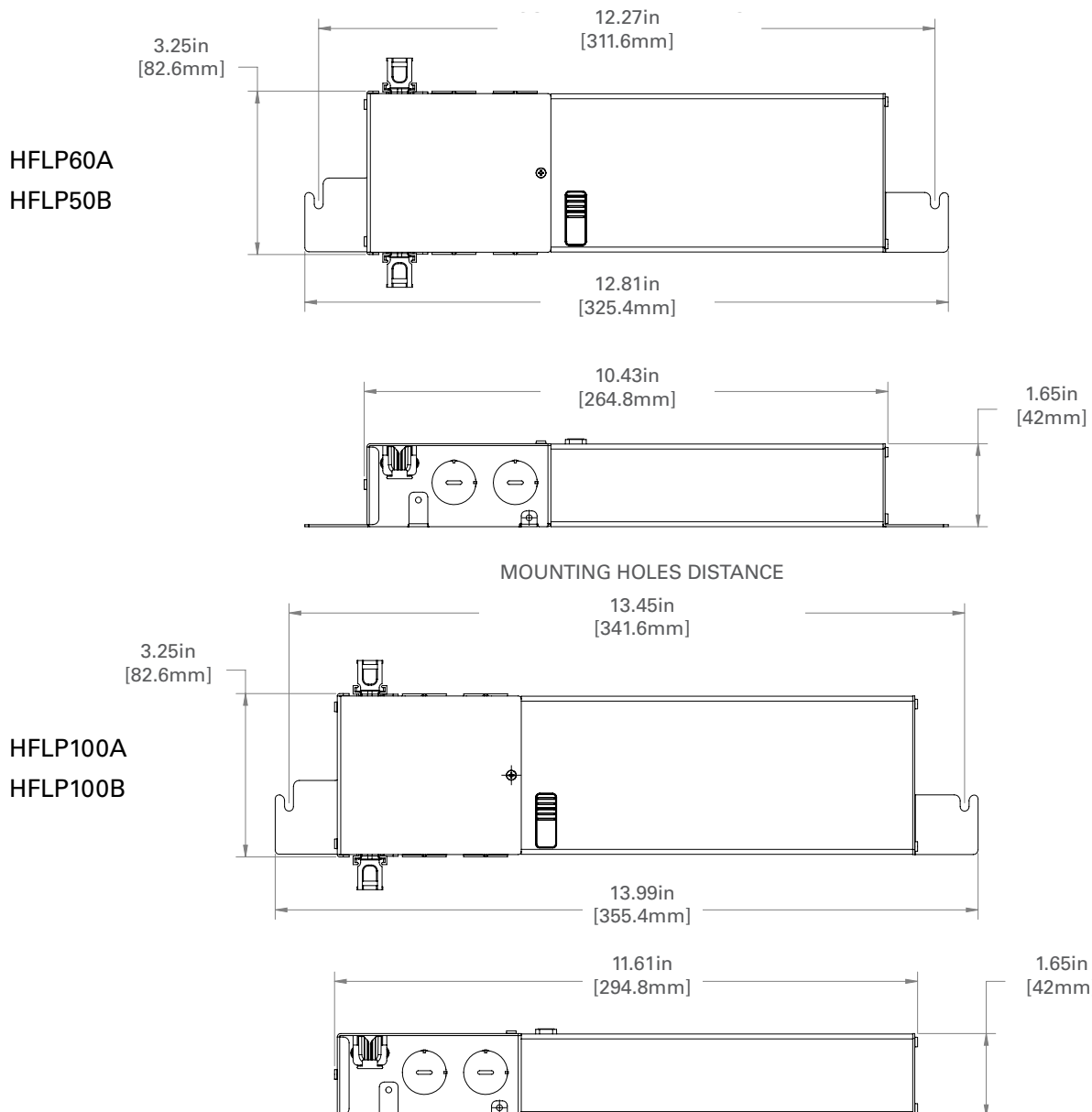
Wire Gauge	10 W .42 A	20 W .83 A	30 W 1.3 A	40 W 1.7 A	50 W 2.1 A	60 W 2.5 A	70 W 2.9 A	80 W 3.3 A	100 W 4.2 A
18 AWG	135 ft.	69 ft.	46 ft.	34 ft.	28 ft.	23 ft.	20 ft.	18 ft.	15 ft.
16 AWG	216 ft.	110 ft.	73 ft.	55 ft.	44 ft.	37 ft.	32 ft.	28 ft.	23 ft.
14 AWG	346 ft.	175 ft.	116 ft.	87 ft.	70 ft.	58 ft.	50 ft.	44 ft.	37 ft.
12 AWG	540 ft.	273 ft.	182 ft.	136 ft.	109 ft.	91 ft.	78 ft.	69 ft.	57 ft.
10 AWG	785 ft.	398 ft.	264 ft.	198 ft.	159 ft.	132 ft.	113 ft.	99 ft.	83 ft.

Dimensional and Mounting Details:

Tape



Driver

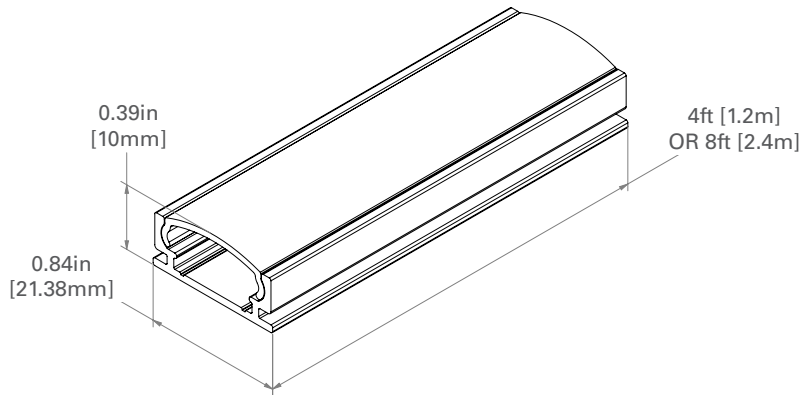
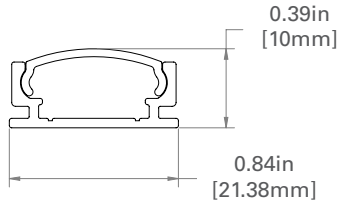


Dimensional and Mounting Details:

HFL Aluminum Channels with Diffuse Lenses

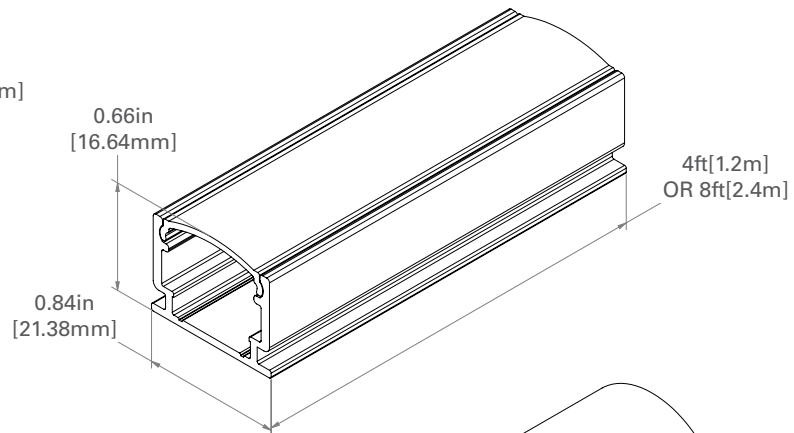
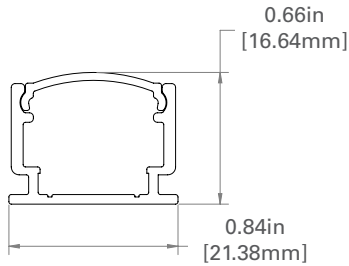
HFLESS4/HFLESS8

Shallow Surface Mount Lensed Channel



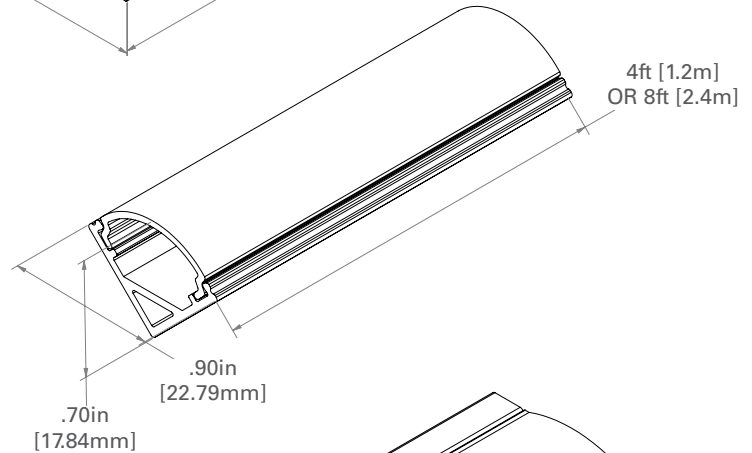
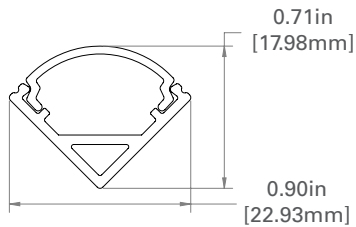
HFLESD4/HFLESD8

Deep Surface Mount Lensed Channel



HFLESA4/HFLESA8

45° Angled Surface Mount Lensed Channel



HFLERD4/HFLESA8

Deep Recessed Lensed Channel

