

| | | | | | |
|-------------|--|-----------|--|------|--|
| Project | | Catalog # | | Type | |
| Prepared by | | Notes | | Date | |



Fail-Safe



UC1

Undercabinet, 3/4" depth
 3 lengths: 24" / 36" / 48"
 Anti-microbial finish standard
 CCT selectable



Typical Applications

Healthcare • Patient rooms • Exam & procedure rooms • Nurse stations • Schools • Labs • Pharmacies

Interactive Menu

- Dimensional and Mounting Details [page 2](#)
- Accessories [page 2](#)
- Energy Data [page 3](#)
- Product Specifications [page 3](#)
- Product Warranty

Product Certification



Product Features



Top Product Features

- 3/4" depth to fit discretely in a variety of spaces
- Anti-microbial white paint finish, standard
- Available in 24", 36", and 48" lengths
- IK10 rated for maximum impact resistance
- 90 CRI standard
- Selectable color temperatures of 2700K, 3000K, 3500K, 4000K, and 5000K - for use in multiple applications
- Field installed motion sensor
- Universal voltage operates at 120V - 277V
- Continuous dimming to 5% at 120V (ELV/Triac) - 120V

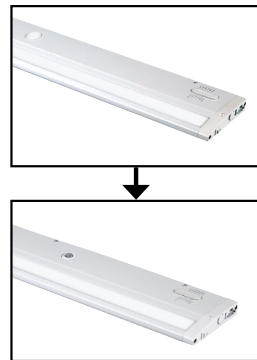
Order Information

Sample number: UC1-24=24" Undercabinet
 UC1-48=48" Undercabinet

| Family | Length |
|--|--|
| UC1=Under Cabinet, Nominal 1" Deep, Anti-microbial White | 24=24 inch 36=36 inch 48=48 inch |



HU30MUNVMSP
Motion Sensor Module



24" PIR module installed

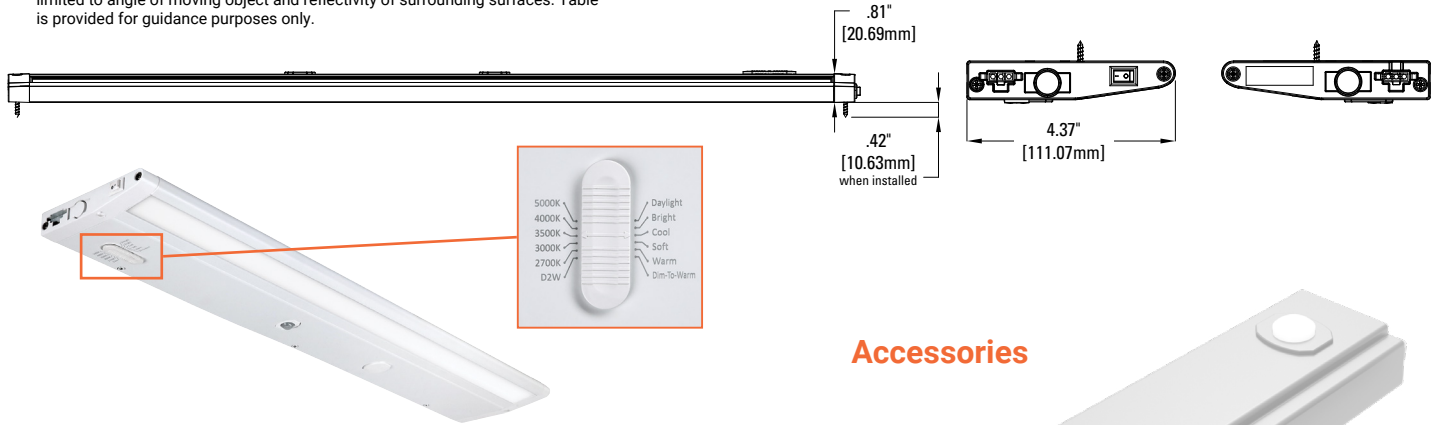


Dimensional and Mounting Details

| Mounting Height H (ft) | Maximum PIR Detection Distance ^A X (ft) |
|------------------------|--|
| 2 | 3.5 |
| 4 | 5.7 |
| 6 | 6.5 |

| Size | 24 in. Nominal | 36 in. Nominal | 48 in. Nominal |
|--------|------------------|----------------|--------------------|
| Length | 23.98" [609.1mm] | 32.44" [824mm] | 47.18" [1,198.4mm] |

^A Actual detection distance may vary based on multiple factors including but not limited to angle of moving object and reflectivity of surrounding surfaces. Table is provided for guidance purposes only.



Accessories

| Size Description | 24 in. Nominal | 36 in. Nominal | 48 in. Nominal |
|-------------------|------------------|----------------|--------------------|
| Length "L" | 23.98" [609.1mm] | 32.44" [824mm] | 47.18" [1,198.4mm] |
| Wattage* | 9.4 | 12.7 | 17.3 |
| Lumens* | 670 | 915 | 1275 |
| Efficacy - LPW* | 71 | 72 | 74 |
| Nominal Lumens/ft | 335 | 305 | 319 |

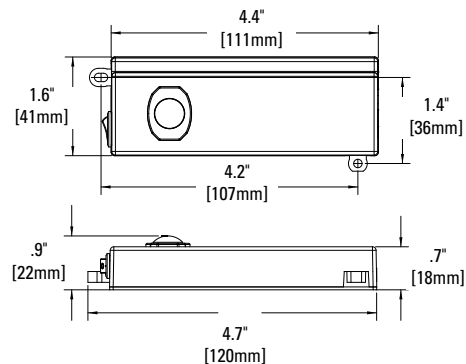
* At factory setting of 3000K for white fixtures, check Photometric data for individual specifications

** At 120V only w/o Accessory

| | UC1 Series |
|-----------------------------|------------|
| Power Factor** | >0.98 |
| THD** | <20% |
| Color Rendering Index (CRI) | >90 |

HU30MUNVMSP Motion Sensor Module

Note: Can be purchased separately (HU30MUNVMSP).



Connectors & Accessories

| | | | | |
|--|--|--|---|---|
| | | | | |
| HU101 3" Daisy Chain Connector | HU102 6" Daisy Chain Connector | HU1010 12" Daisy Chain Connector | HU1011 18" Daisy Chain Connector | HU103 24" Daisy Chain Connector |
| | | | | |
| HU104 120" Daisy Chain Connector | HU115 48" Power Cord - 120V only | HU109 Splice Box | HU107 1-1/2" Male-to-Male Connector | |

Finish: P=White Example: HU101P=3" Daisy Chain Connector, White



Energy Data

| Catalog | CCT (K) | Lumen | Efficacy (lm/W) | Watt (W) | PF | CRI | R9 |
|------------------------|---------|-------|-----------------|----------|-------|------|------|
| UC1-24 (24" Length) | 2700 | 670 | 73 | 9.15 | 0.964 | 93.8 | 60.5 |
| | 3000 | 681 | 74 | 9.15 | 0.964 | 94.7 | 68.0 |
| | 3500 | 692 | 75 | 9.16 | 0.965 | 95.1 | 74.1 |
| | 4000 | 702 | 76 | 9.17 | 0.965 | 94.8 | 77.7 |
| | 5000 | 715 | 78 | 9.16 | 0.965 | 92.5 | 72.8 |
| UC1-36 (36" Length) | 2700 | 920 | 74 | 12.43 | 0.968 | 93.8 | 61.0 |
| | 3000 | 931 | 74 | 12.46 | 0.969 | 94.8 | 68.5 |
| | 3500 | 947 | 75 | 12.47 | 0.969 | 95.2 | 74.6 |
| | 4000 | 963 | 77 | 12.48 | 0.969 | 94.9 | 78.2 |
| | 5000 | 984 | 78 | 12.49 | 0.969 | 92.5 | 73.2 |
| UC1-48 (48" Length) | 2700 | 1279 | 76 | 16.81 | 0.981 | 93.8 | 61.1 |
| | 3000 | 1301 | 77 | 16.82 | 0.981 | 94.8 | 68.6 |
| | 3500 | 1393 | 82 | 16.82 | 0.981 | 95.2 | 74.7 |
| | 4000 | 1343 | 79 | 16.83 | 0.981 | 94.9 | 78.3 |
| | 5000 | 1370 | 81 | 16.82 | 0.981 | 92.5 | 73.3 |

Product Specifications

Even Light Distribution

- Specialized optical system consisting of tightly clustered proximity phosphor LEDs, advanced optical chamber coatings and lens materials resulting in soft illumination with high efficiency.
- These fixtures are ideal for task lighting over glossy surfaces with no distracting shadow patterns

Color Temperature

6 Position external selector which includes a 5 CCT SeleCCTable color temperature switch that allows users to choose between 2700K, 3000K, 3500K, 4000K and 5000K, and an additional Dim-To-Warm setting (D2W range- 2700K to 1800K at 120V), for the customer's lighting need

PIR Motion Sensor Module

- Offered as a field installable modular accessory, the PIR technology based motion sensor allows for the fixture on/off to be managed based on movement detection. The UC1 PIR sensor works as an occupancy/vacancy sensor which activates the fixture when motion is detected and turns off the fixture when no motion is detected for 8 continuous minutes

Wiring Flexibility

User can power a fixture with multiple options: (See installation instructions for more details)

- Flexible conduit or romex can be used directly to either end of back of any size fixture to power the fixtures. Conduit connector and romex strain relief hardware are included with each fixture
- Plug in cord (sold separately) can be utilized to link additional fixtures to the circuit. (120V only)

User can wire multiple fixtures with different options: (See installation instructions for more details)

- Wiring multiple fixtures can be done using flexible conduit or romex directly to either end of back of any size fixture. Conduit connector and romex strain relief hardware are included with each fixture
- Plug in connectors (sold separately) can be utilized to link additional fixtures to the circuit
- Link any combination of fixtures up to 440W total load using available wiring options

Durable Low Profile Housing

Extruded aluminum housing and color matched end caps with a sleek over all height of 3/4"

Mounting

Each unit is secured directly to the mounting surface with just two fasteners keeping installation costs and efforts low. Can be mounted in horizontal and vertical orientations

Optional Accessories

- PIR Motion sensor and optional splice box are accessories offered for the series. The optional splice box has a connection port on each side to allow for runs in either or both directions. Includes Romex/ 1/2" conduit connector
- Various connector cable options and lengths provide flexibility of mounting location

Finish Options

Fixtures are available with a white antimicrobial finish

Electronic Driver & Dimming

- Universal Voltage (120-277V, 50/60Hz) Electronic driver provides flicker free light output and noise free operation
- Universal Voltage electronic driver is controlled with an integral on/off switch
- Designed for continuous dimming (ELV or TRIAC) down to 5% at 120V with compatible dimmers

Compliance & Certifications

- UL Certified
- Can be used to meet IECC, ASHRAE commercial standards
- FCC rated driver
- Can be used for State of California Title 24 high efficacy LED compliance under JA8
- Damp location listed
- IK10 rated for maximum impact resistance

Factory Defaults

The fixtures will be set to the following default where applicable:

- CCT: 3000K

Warranty

Five-year limited warranty, consult website for details www.cooperlighting.com

* See our website for dimming guidance information. www.cooperlighting.com