

Project		Catalog #		Type	
Prepared by		Notes		Date	



### Interactive Menu

- Ordering Information [page 2](#)
- Product Specifications [page 2](#)
- Energy and Performance Data [page 3](#)

# Streetworks

## MPN New Haven

### Decorative Post Top Luminaire

### Product Certifications & Features



## Product Specifications

### OPTICAL

- Injection molded acrylic refractor available in symmetric or asymmetric distributions
- Offered standard in 4000K (+/- 275K) CCT and minimum 70 CRI

### ELECTRICAL

- 120-277V 50/60Hz operation. 480V and 347V options available.
- 10kV surge protection options with series or parallel configurations
- 0-10V dimming standard
- Ambient operating temperature from -40°C to 40°C
- Standard three-position tunnel type compression terminal block

### PHYSICAL CHARACTERISTICS

- Die-cast aluminum housing with spun and stamped aluminum top
- Overcenter latch for relamping and power module access
- Top is completely removable without the use of tools
- ANSI wattage/ source label
- Post top mount fits 3" O.D. tenons.
- Secured by square head 3/8" stainless steel mounting bolts

### CONTROLS

- 3- and 7-pin photocell receptacle options
- Field Adjustable Dimming Control option for manual adjustment of power consumption and lumen output. Factory preset to highest output level

### COMPLIANCE

- UL wet location rated
- Configurations available that meet DLC requirements, submission in progress - visit [www.designlights.org](http://www.designlights.org) to confirm listed variants
- BAA domestic preference option meets BAA requirements. See [DOMESTIC PREFERENCES](#) website or consult the CLS Domestic Preferences team for more information
- FHWA and FTA agencies are utilizing their BAA rules for BABA compliance. Cooper's products with a BAA designation are manufactured in the US and utilize a BAA COTS exemption rule for compliance. To verify a configured product with specific accessories and options meet BABA Domestic Preference Requirements; submit this catalog number to Cooper Lighting Quotation team for validation by our Engineering and Manufacturing teams. Please refer to the [DOMESTIC PREFERENCES](#) website or consult the CLS Domestic Preferences team for more information. Components shipped separately may be separately analyzed under domestic preference requirements

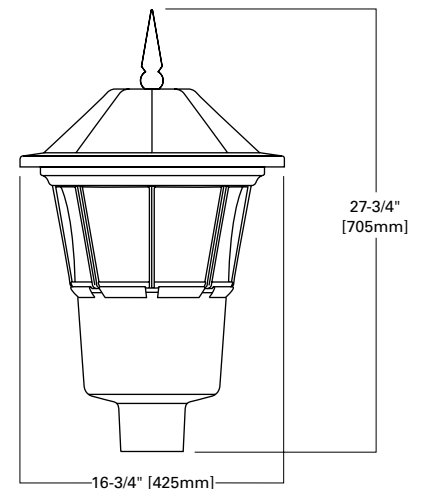
### SHIPPING DATA

- Approximate Weight: 34 lbs. (14 kgs.)
- EPA: 1.7 (Sq. ft.)

### WARRANTY

- Five-year limited warranty. Consult website for details. [www.cooperlighting.com/legal](http://www.cooperlighting.com/legal)

## Dimensional Details



## Ordering Information

SAMPLE NUMBER: **MPN-A5-D-U-ASYM-7030-4N7-10MSP-W-BK**

Product Family <sup>1</sup>	Light Engine	Driver	Voltage	Distribution
<b>MPN</b> =New Haven <b>BAA-MPN</b> =New Haven Buy American Act Compliant <sup>10</sup> <b>TAA-MPN</b> =New Haven Trade Agreements Act Compliant <sup>10</sup> <b>BABA-MPN</b> =New Haven Build America Buy America Act Compliant <sup>11</sup>	<b>A2</b> <b>A3</b> <b>A4</b> <b>A5</b> <b>A6</b> <b>A7</b>	<b>D</b> =Dimming <b>5TLDD</b> =Dali <sup>2</sup>	<b>U</b> =Universal (120-277V) <b>9</b> =347V <b>8</b> =480V	<b>SYM</b> =Symmetric <b>ASYM</b> =Asymmetric
Options (Add as Suffix)	Finish	Accessories (Order Separately) <sup>9</sup>		
<b>7030</b> =70 CRI / 3000K <sup>3</sup> <b>7027</b> =70 CRI / 2700K <sup>3</sup> <b>4</b> =NEMA 3-PIN Photocontrol Receptacle (Internal Mount) <sup>4</sup> <b>4N7</b> =NEMA 7-PIN Photocontrol Receptacle (Internal Mount) <sup>4</sup> <b>10K</b> =10kV UL 1449 Surge Protective Device <b>10MSP</b> =10kV MOV Surge Protective Device <b>20MSP</b> =20kV MOV Surge Protection <b>20K</b> =20kV UL 1449 <b>W</b> =20" #10 Leads <b>HA</b> =High Ambient <b>AHD145</b> =After Hours Dim, 5 Hours <sup>5</sup> <b>AHD245</b> =After Hours Dim, 6 Hours <sup>5</sup> <b>AHD255</b> =After Hours Dim, 7 Hours <sup>5</sup> <b>AHD355</b> =After Hours Dim, 8 Hours <sup>5</sup> <b>LLPC</b> =Long-Life Photocontrol (Included) <b>NPC</b> =NEMA Photocontrol - Multi-Tap <sup>6,7</sup> <b>PSC</b> =Photocontrol Shorting Cap <sup>7</sup> <b>HSS</b> =House Side Shield 180 Degree Cutoff <b>AN8</b> =M2M Antennae (915MHz) <sup>8</sup>	<b>AP</b> =Grey <b>BK</b> =Black <b>BZ</b> =Bronze <b>WH</b> =White <b>GN</b> =Green	<b>OA/RA1016</b> =NEMA Photocontrol - Multi-Tap <b>OA/RA1013</b> =Photocontrol Shorting Cap <b>OA1223</b> =10kV/10KA UL 1449 Surge Module Replacement <b>MPX-HSS</b> =Field Install House Side Shield 180 Degree Cutoff <b>OA/RA1201</b> =NEMA Photocontrol 347V <b>OA/RA1027</b> =NEMA Photocontrol 480V		
<b>NOTES:</b> 1. Customer is responsible for engineering analysis to confirm pole and fixture compatibility for all applications. Refer to our white paper WP513001EN for additional support information. 2. A7 not available with DALI. 3. Use dedicated IES files for various CCTs and CRIs when performing layouts. These files are published on the Utility LED Acorn Luminaire product page on the website. 4. Total height of photocontrol/node cannot exceed 4.3". 5. Requires the use of Photocontrol (4 or 4N7) receptacle. See After Hours Dim supplemental guide for additional information. 6. Available with universal voltage only. 7. A photocontrol receptacle "4" or "4N7" must also be selected. 8. For use with third party control systems where M2M is required. 9. Accessories sold separately will be separately analyzed under domestic preference requirements. Consult factory for further information 10. Only product configurations with these designated prefixes are built to be compliant with the Buy American Act of 1933 (BAA) or Trade Agreements Act of 1979 (TAA), respectively. Please refer to <a href="#">DOMESTIC PREFERENCES</a> website for more information. 11. FHWA and FTA agencies are utilizing their BAA rules for BABA compliance. Cooper's products with a BAA designation are manufactured in the US and utilize a BAA COTS exemption rule for compliance. To verify a configured product with specific accessories and options meet BABA Domestic Preference Requirements; submit this catalog number to Cooper Lighting Quotation team for validation by our Engineering and Manufacturing teams. Please refer to the <a href="#">DOMESTIC PREFERENCES</a> website or consult the CLS Domestic Preferences team for more information. Components shipped separately may be separately analyzed under domestic preference requirements				

Energy and Performance Data

Power and Lumens (Symmetric)

Light Engine	A2	A3	A4	A5	A6	A7	
Drive Current (mA)	380	620	830	1100	1400	1500	
Nominal Power (Watts)	18	29	39	51	64	69	
Wattage Label	20	30	40	50	60	70	
Input Current @ 120V	0.15	0.24	0.33	0.44	0.55	0.59	
Input Current @ 277V	0.07	0.11	0.15	0.2	0.24	0.26	
Optics							
SYM	4000K	1,861	2,956	3,863	4,850	5,917	6,240
	BUG Rating	B1-U3-G2	B1-U3-G3	B2-U4-G3	B2-U4-G4	B2-U4-G4	B2-U4-G4
	3000K	1,815	2,883	3,767	4,729	5,770	6,085
	BUG Rating	B1-U3-G2	B1-U3-G3	B2-U4-G3	B2-U4-G4	B2-U4-G4	B2-U4-G4
	2700K	1,728	2,745	3,587	4,503	5,494	5,794
	BUG Rating	B1-U3-G2	B1-U3-G3	B2-U4-G3	B2-U4-G3	B2-U4-G4	B2-U4-G4

Power and Lumens (Asymmetric)

Light Engine	A2	A3	A4	A5	A6	A7	
Drive Current (mA)	380	620	830	1100	1400	1500	
Nominal Power (Watts)	18	29	40	51	64	70	
Wattage Label	20	30	40	50	60	70	
Input Current @ 120V	0.15	0.24	0.33	0.44	0.55	0.59	
Input Current @ 277V	0.07	0.11	0.15	0.2	0.24	0.26	
Optics							
ASYM	4000K	1,845	2,907	3,767	4,696	5,666	5,959
	BUG Rating	B1-U3-G3	B1-U3-G3	B1-U4-G4	B1-U4-G4	B2-U4-G5	B2-U4-G5
	3000K	1,799	2,835	3,674	4,579	5,525	5,811
	BUG Rating	B1-U3-G3	B1-U3-G3	B1-U4-G3	B1-U4-G4	B2-U4-G4	B2-U4-G5
	2700K	1,713	2,700	3,498	4,360	5,261	5,533
	BUG Rating	B1-U3-G3	B1-U3-G3	B1-U4-G3	B1-U4-G4	B2-U4-G4	B2-U4-G4

Lumen Maintenance (TM-21)

Ambient Temperature	TM-21 Lumen Maintenance (60,000 Hours)	Projected L70 (Hours)
Up to 1A	25°C	99.4%