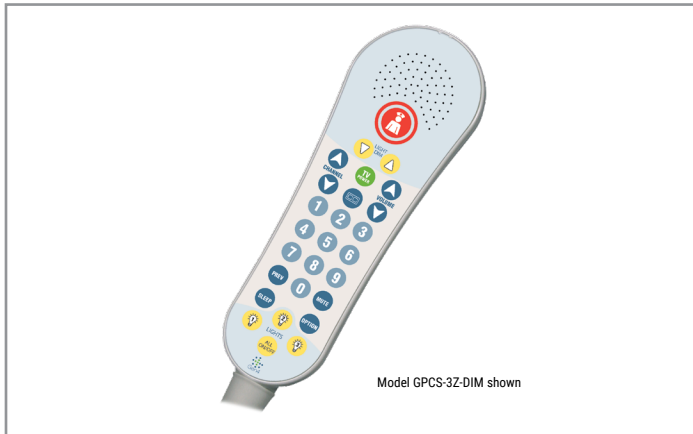


Project		Catalog #		Type	
Prepared by		Notes		Date	



## Greengate

### GPCS – Patient Control Station

Provides the hospital patient easy control over their lighting controls and shades, with the added security of a standard connection to the Nurse Call system and the comfort of a universal TV controller

#### Typical Applications

Healthcare • Hospitals / Long Term Care / Nursing Homes

#### Interactive Menu

- Order Information page 2
- Product Specifications page 2
- Configuration page 3
- Topology page 3
- Product Warranty

#### Product Certification



#### Product Features

Tested With the Following Nurse Call Stations:

- GE Telligence™
- Hill-Rom NaviCare®
- Rauland Responder®
- West-Com Novus®

#### Top Product Features

- Provides patients access to control natural and electric lighting from the bed
- Incorporates lighting and shade control buttons with Nurse Call, TV and other features
- Reduces nuisance calls to the nursing staff by providing patient control of in room lighting and shades
- Proprietary sealed design reduces potential risk of infectious fluids or solids settling into the unit, even in the speaker area
- Durable, lightweight universal handheld control with comfort grip case
- Large button layout
- 37 pin connection standard
- Designed to withstand over 100 drops onto a concrete floor without impacting functionality
- The patient control station provides large, clearly labeled buttons in a fully sealed case

## Order Information

This is an accessory for the Greengate Room Controller (RC3DEHC) and ControlKeeper 4A lighting control panels. There is no factory assembly needed.

### Catalog Number

Catalog Number	Description
GPCS-3Z	Patient Control Station, 3 Zones, All On/All Off button
GPCS-3Z-DIM	Patient Control Station, 3 Zones, All On/All Off button, Dim raise/lower buttons
GPCS-2Z	Patient Control Station, 2 Zones, All On/All Off button
GPCS-2Z-DIM	Patient Control Station, 2 Zones, All On/All Off button, Dim raise/lower buttons
GPCS-2Z-SHD	Patient Control Station, 2 Zones, All On/All Off button, Shade raise/lower button
GPCS-2Z-SHD-DIM	Patient Control Station, 2 Zones, All On/All Off button, Shade raise/lower button, and Dim raise/lower buttons

## Product Specifications

### Key Features

- Passive Infrared (PIR) and Ultrasonic (US) technology
- Single-pole and 3-way switch

### feature text

- feature bullet
  - feature bullet

### Mechanical

**Size:** 8.375"H x 3.5"W x 1.5"D

**Housing:** Durable injection-molded ABS plastic complies with UL 94V-0

### Electrical

**Switch Rating:** 30 VDC, 500mA or less

**Switch Type:** SPDT, Momentary contact

### Compatibility

Tested With the Following Nurse Call Stations:

- GE Telligence™
- Hill-Rom NaviCare®
- Rauland Responder®
- West-Com Novus®

### Standards/Ratings

- UL 1069 Listed
- RoHS Directive

### Warranty

Consult website for warranty information

## Operation

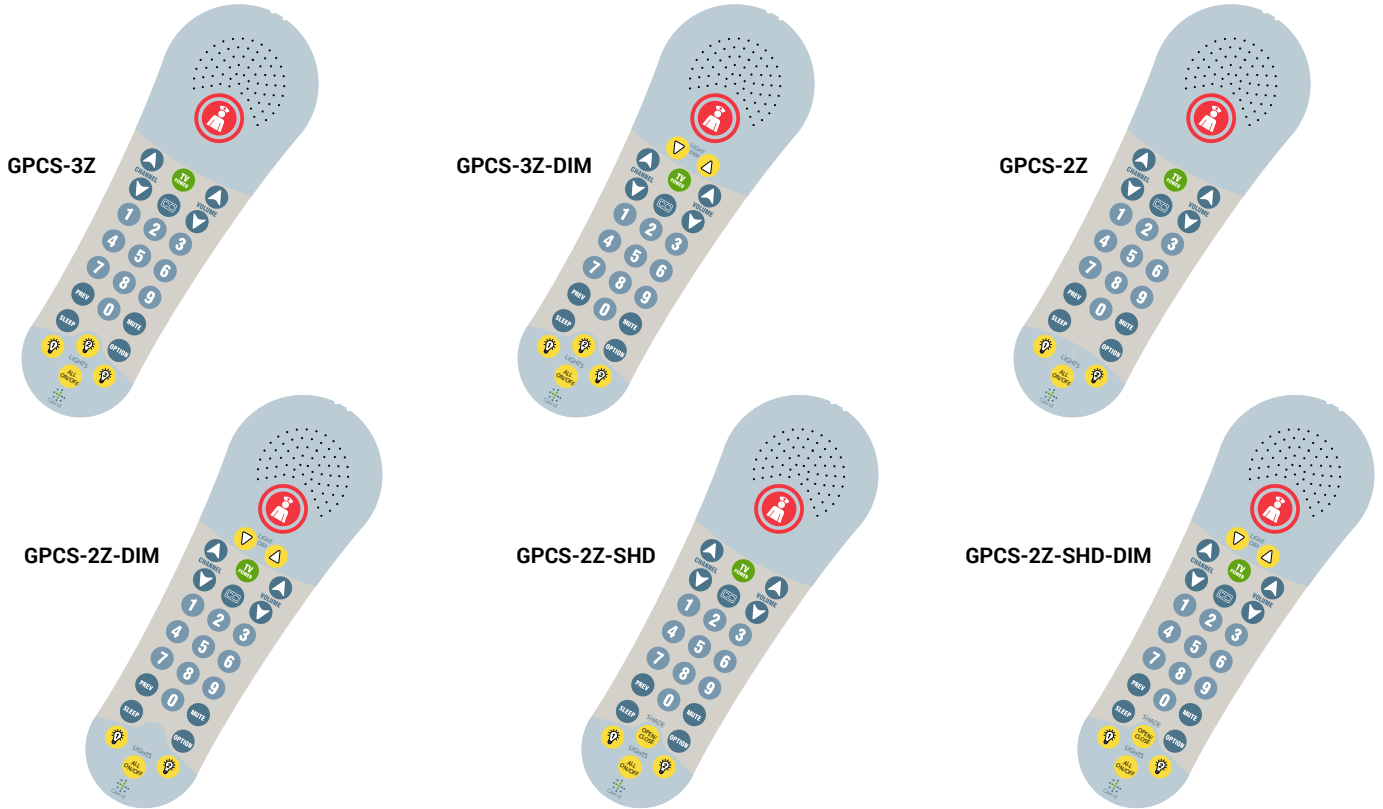
The Greengate Patient Control Station provides the hospital patient or nursing home resident easy control over their lighting controls

and shades, with the added security of a standard connection to the Nurse Call system and the comfort of a universal TV controller. The patient control station provides large, clearly labeled buttons in a fully sealed case.

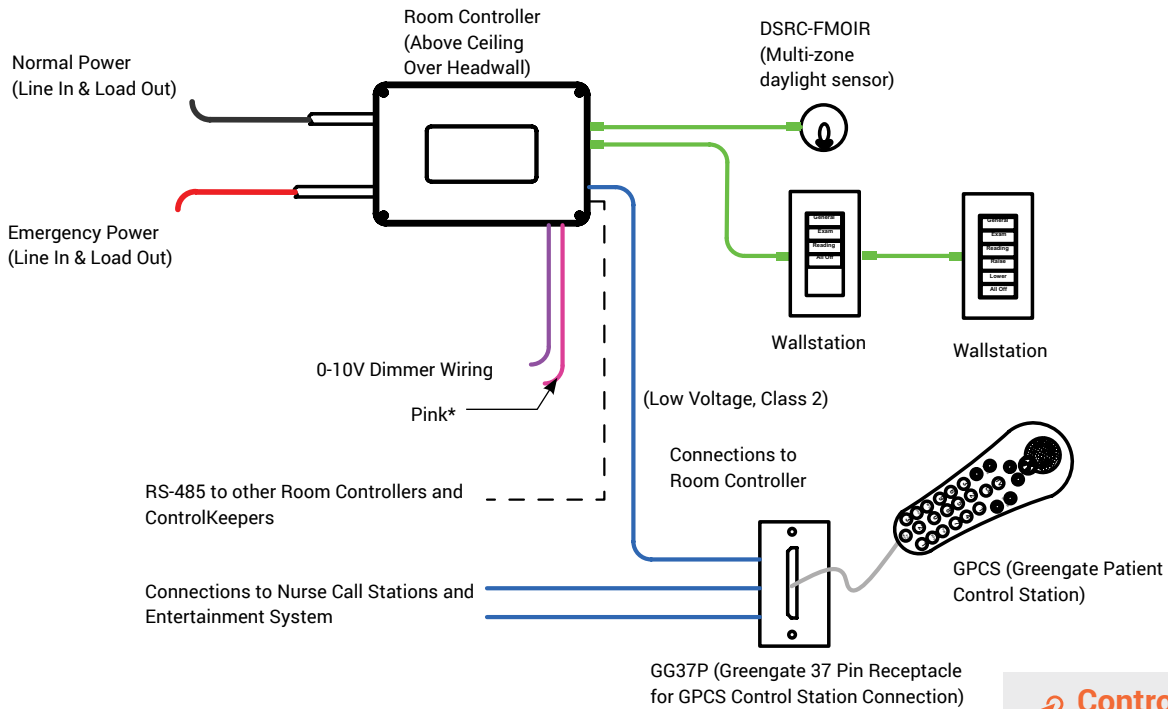
## Installation

This system accessory will require mounting and wiring at the site. The patient control station then plugs into this receptacle, connecting it to the nurse call system and the healthcare television.

## Configuration



## Sample Topology



**Control Systems**  
• Greengate