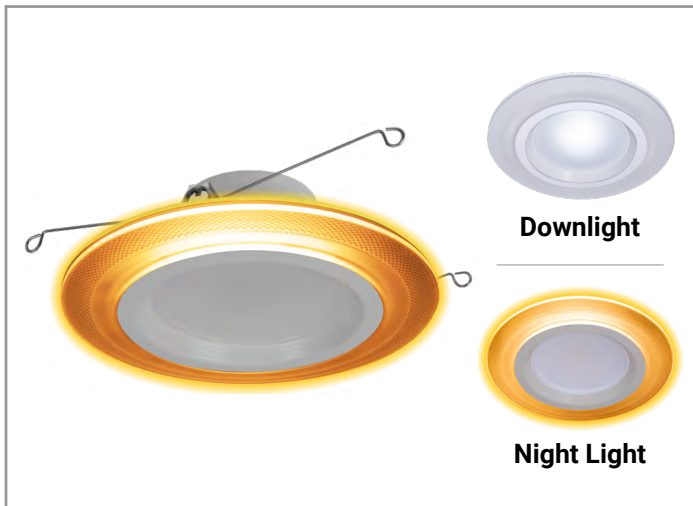


Project		Catalog #		Type	
Prepared by		Notes		Date	



# HALO

## RLNL56 Night Light LED Trim

5/6" Night Light Recessed LED retrofit module  
1000 Lumen Series

### Typical Applications

Residential

### Product Certification



Refer to ENERGY STAR® Certified Products List.  
Can be used to comply with California Title 24 High Efficacy requirements.  
Certified to California Appliance Efficiency Database under JAB.

**Note:** Due to T20 change, as of July 1, 2019 consult factory on correct catalog number and availability for the T20 compliant California product.



### Product Features



### Interactive Menu

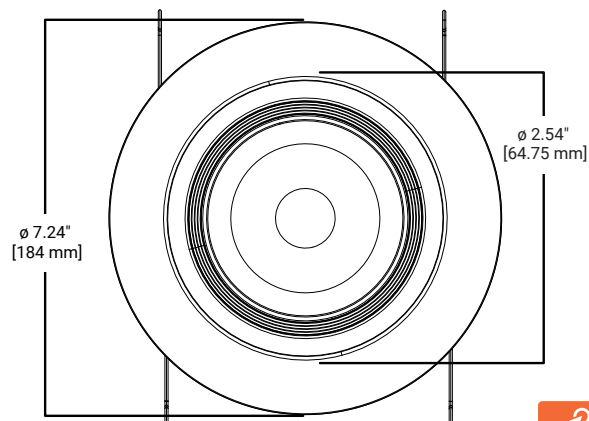
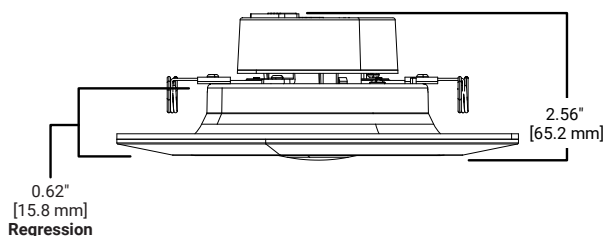
- Order Information [page 2](#)
- Product Specifications [page 3](#)
- Photometric Data [page 3](#)
- Energy & Performance Data [page 3](#)
- Product Warranty

### Top Product Features

- 5/6" Night Light Recessed LED Retrofit Module
- Use with compatible recessed housings
- 6 selectable color temperature options
  - 2700K, 3000K, 3500K, 4000K, 5000K
  - Dim-to-warm technology included: use your dimmer to warm color temperature from 3000K to 1800K
- Night light provides soft glow at 2000K CCT
- Wet location listed for showers and protected ceilings
- Dimmable to 5% with 120V dimmers

### Dimensional and Mounting Details

6" TORSION SPRINGS



additional product diagrams

## Order Information

SAMPLE ORDER NUMBER: **RLNL56109FSD2W1EWH**

A complete luminaire consists of a housing and a LED integrated trim, order separately.

	Module	Lumens	CRI/CCT	Driver	Finish
<b>RLNL56109FSD2W1EWH</b>	5/6" Night Light recessed LED retrofit module	1000 lumens (nominal)	90 CRI min., 2700K, 3000K, 3500K, 4000K, 5000K selectable CCT with D2W option	120V 60Hz, LE & TE phase cut 5% dimming	Matte White Flange

## Housing – Compatibility

The RLNL6 LED module - trim combination is cULus Listed or UL Classified for use with any 5" or 6" diameter recessed housing constructed of steel or aluminum with an internal volume that exceeds 115 in<sup>3</sup> in addition to those noted below.

### Halo UL Listed Compatibility

#### Phase Cut LED Housings

<p><b>Halo 5-inch LED Housings</b>  <b>H550ICAT</b> = 5" IC, airtight new construction housing, LED, 120-277V  <b>H550RICAT</b> = 5" IC, airtight remodel housing, LED, 120-277V, 120-277V  <b>E550ICAT</b> = 5" IC, airtight new construction housing, LED, 120-277V  <b>E550RICAT</b> = 5" IC, airtight remodel housing, LED, 120-277V, 120-277V</p> <p><b>Halo 5-inch Fire Rated LED Housings</b>  <b>H550FR2ICATD010</b> = 5" fire safe, IC, airtight new construction housing, LED, 120-277V, 0-10V or Phase control</p>	<p><b>Halo 6-inch LED Housings</b>  <b>H750ICAT</b> = 6" IC, airtight new construction housing, LED, 120-277V  <b>H750RICAT</b> = 6" IC, airtight remodel housing, LED, 120-277V, 0-10V control  <b>H750T</b> = 6" non-IC, airtight new construction housing, LED, 120-277V  <b>H750TCP</b> = 6" non-IC, CCEA Chicago Plenum new construction housing, LED, 120-277V  <b>H750TCPD010</b> = 6" non-IC, CCEA Chicago Plenum new construction housing, LED, 120-277V, 0-10V control  <b>E750ICAT</b> = 6" IC, airtight new construction housing, LED, 120-277V  <b>E750RICAT</b> = 6" IC, airtight remodel housing, LED, 120-277V</p> <p><b>Halo 6-inch Shallow LED Housings</b>  <b>H2750ICAT</b> = 6" IC, airtight shallow new construction housing, LED, 120-277V  <b>H2750RICAT</b> = 6" IC, airtight shallow remodel housing, LED, 120-277V</p> <p><b>Halo 6-inch Fire Rated LED Housings</b>  <b>H750FR2ICATD010</b> = 6" fire safe, IC, airtight new construction housing, LED, 120-277V, 0-10V or Phase control</p>
---	--

#### Traditional Housings (E26 Socket)

<p><b>Halo 5-inch Incandescent Housings (use with Edison medium base E26 to CJT adapter)</b>  <b>H5ICAT</b> = 5" Insulated Ceiling, Air-Tite New Construction Housing  <b>H5RICAT</b> = 5" IC, airtight remodel housing, E26 medium base, 120V  <b>H5ICATNB</b> = 5" IC, airtight new construction housing, no bracket, E26 medium base, 120V  <b>H5T</b> = 5" non-IC new construction housing, E26 medium base, 120V  <b>H5RT</b> = 5" non-IC remodel housing, E26 medium base, 120V  <b>E5ICAT</b> = 5" IC, airtight new construction housing, E26 medium base, 120V  <b>E5RICAT</b> = 5" IC, airtight remodeler housing, E26 medium base, 120V  <b>E5ICATNB</b> = 5" IC, airtight new construction housing, no bracket, E26 medium base, 120V  <b>E5TAT</b> = 5" non-IC, airtight new construction housing, E26 medium base, 120V  <b>E5RTAT</b> = 5" non-IC, airtight remodeler housing, E26 medium base, 120V  <b>E5TATNB</b> = 5" non-IC, airtight new construction housing, no bracket, E26 medium base, 120V</p> <p><b>Halo 5-inch Shallow Incandescent Housings (use with Edison medium base E26 to CJT adapter)</b>  <b>H25ICAT</b> = 5" IC, airtight shallow new construction housing  <b>H25ICATNB</b> = 5" IC, airtight shallow new construction housing, no bracket</p>	<p><b>Halo Standard Housings 6-inch</b>  <b>H7ICAT</b> = 6" IC, airtight new construction housing, E26 medium base, 120V  <b>H7RICAT</b> = 6" IC, airtight remodel housing, E26 medium base, 120V  <b>H7ICATNB</b> = 6" IC, airtight new construction housing, no bracket, E26 medium base, 120V  <b>H7ICT</b> = 6" IC new construction housing, E26 medium base, 120V  <b>H7RICT</b> = 6" IC remodel housing, E26 medium base, 120V  <b>H7ICTNB</b> = 6" IC new construction housing, no bracket, E26 medium base, 120V  <b>H7T</b> = 6" non-IC new construction housing, E26 medium base, 120V  <b>H7RT</b> = 6" non-IC remodel housing, E26 medium base, 120V  <b>H7TNB</b> = 6" non-IC new construction housing, no bracket, E26 medium base, 120V  <b>H7TCP</b> = 6" non-IC, CCEA Chicago Plenum new construction housing, E26 medium base, 120V H7RT  <b>H7UICAT</b> = 6" Insulated Ceiling, Universal, Air-Tite, New Construction Housing  <b>E7ICAT</b> = 6" IC, airtight new construction housing, E26 medium base, 120V  <b>E7RICAT</b> = 6" IC, airtight remodeler housing, E26 medium base, 120V  <b>E7ICATNB</b> = 6" IC, airtight new construction housing, no bracket, E26 medium base, 120V  <b>E7TAT</b> = 6" non-IC, airtight new construction housing, E26 medium base, 120V  <b>E7RTAT</b> = 6" non-IC, airtight remodeler housing, E26 medium base, 120V  <b>E7TATNB</b> = 6" non-IC, airtight new construction housing, no bracket, E26 medium base, 120V</p>	<p><b>Halo 6-inch Shallow Incandescent Housings (use with Edison medium base E26 to CJT adapter)</b>  <b>H27ICAT</b> = 6" IC, airtight shallow new construction housing  <b>H27RICAT</b> = 6" IC, airtight shallow remodel housing  <b>H27T</b> = 6" non-IC shallow new construction housing  <b>H27RT</b> = 6" non-IC shallow remodel housing  <b>E27ICAT</b> = 6" IC, airtight shallow new construction housing  <b>E27RICAT</b> = 6" IC, airtight shallow remodel housing  <b>E27TAT</b> = 6" non-IC, airtight shallow new construction housing  <b>E27RTAT</b> = 6" non-IC, airtight shallow remodel housing</p>
---	---	--

## Light Modes

Flip wall switch On/Off/On under 1.5 seconds to change light mode.

### Downlight



### Night Light



## Product Specifications

### Night Light System

- Choose mode of light based on toggle of light switch

### NIGHTLIGHT MODE:

- With wall switch in 'ON' position (downtight on), cycle wall switch 'OFF' and back to 'ON' within 0.2-1.5 seconds. Fixture should illuminate in nightlight mode.
- Fixture will default back to downtight mode when wall switch is cycled 'OFF' then 'ON'.

### DOWNLIGHT MODE:

- Cycle wall switch to 'ON' position to turn on downtight.
- Cycle wall switch to 'OFF' position to turn off downtight.

### CCT Select System

- Use the CCT select switch to choose between D2W, 2700K, 3000K, 3500K, 4000K, and 5000K CCT
- D2W option starts at 3000K and warms to 1800K as fixture dims

### Module - Trim

- Module construction includes LED Array, heat sink, reflector, lens, baffle/trim ring and ceiling ring
- Regressed baffle
- Heat sink designed to conduct heat away from the LED array

### LED Array

- Mid power LED array provides a uniform source with high efficiency and no pixilation
- 90 CRI minimum, R9 greater than 50
- Color accuracy within 3 SDCM at the CCT endpoints and 4 SDCM in between endpoints, provide color accuracy and uniformity.
- Color Temperature (CCT) has an selectable range from 2700K to 5000K (factory default 3000K)

### Optical Assembly

- Regressed lens
- Impact-resistant polycarbonate
- Convex form and lamp-like appearance
- Diffuse for even illumination

### Driver

- Integral 120V 60 Hz constant current driver provides noise free operation
- Continuous, flicker-free dimming from 100% to 5%
- See Dimming Guide for compatible dimmers

### Installation/Retention

- Torsion springs are pre-installed and adjust to fit 5-inch or 6-inch housings.
- Precision-formed spring blades secure module with friction fit to compatible housings.
- Friction blade design allows the RLNL6 to be installed in any position within the housing aperture (360 degrees).

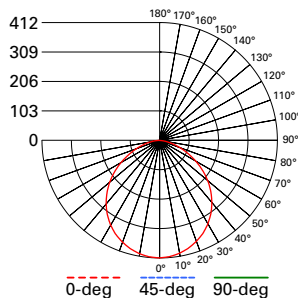
### Compliance

- UL Certified
- Wet and Damp location listed
- Airtight certified per ASTM-E283
- Suitable for use in clothes closets when installed in accordance with the NEC 410.16 spacing requirements
- EMI/RFI emissions per FCC 47CFR Part 15 consumer limits
- Contains no mercury or lead and RoHS compliant
- Photometric testing in accordance with IES LM-79-08
- Lumen maintenance projections in accordance with IES LM-80-08 and TM-21-11
- Can be used for State of California Title 24 high efficacy luminaire compliance. Complies with Title 24 JA8-2022-E.
- Can be used International Energy Conservation Code (IECC) high efficiency luminaire compliance.
- ENERGY STAR® listed, reference database for current listings

### Warranty

- Five year limited warranty, consult website for details. [www.cooperlighting.com/warranty](http://www.cooperlighting.com/warranty)

## Photometric Data



### RLNL6109FSD2W1EWH-3000K

Spacing criterion:  
(0-180) 1.24 | (90-270) 1.24 | (Diagonal) 1.34  
Beam Angle: 105°  
Field Angle: 156°  
Lumens: 1065  
Input Watts: 10.9 W  
Efficacy: 97.7 LPW  
UGR: 25  
Test Report: P645291

Zonal Lumen	Lumens	% Lumens
0-30	316	29.6
0-40	513	48.4
0-60	878	82.4
0-90	1065	100

TM-30-15	Rf = 92
	Rg = 99
CRI/CIE	Ra = 92
	R9 = 73



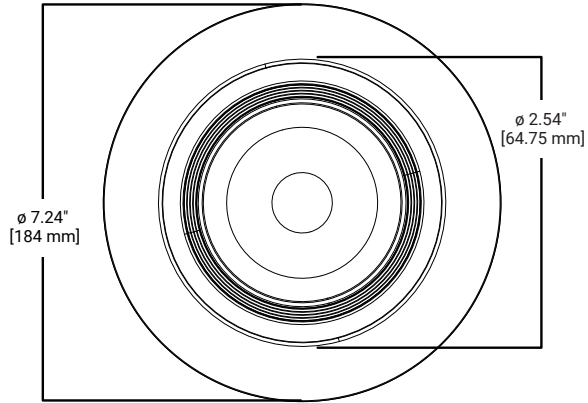
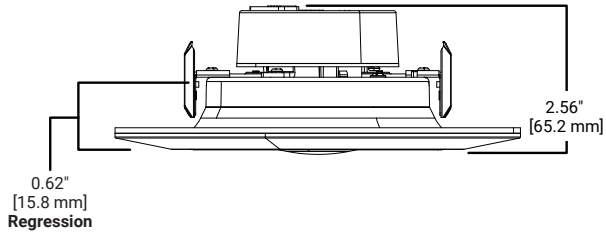
## Energy Data

RLNL6109FSD2W1EWHDM	
Lumens	1086.5
Input Voltage	120V
Input current	0.092A
Input Power	10.75W
Efficiency	78.48%
Inrush(A)	2.08A
THD	< 20%
PF	> 0.9
Sound Rating	< 22dBA

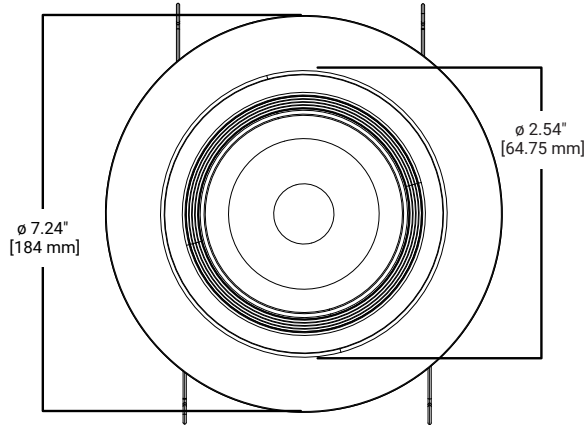
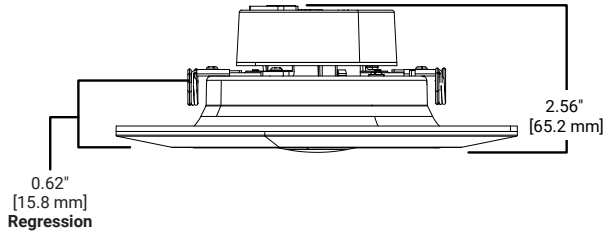
RLNL56109FSD2W1EWH	CCT	Lumens	Power (W)	LPW
Field Selectable CCT	2700K	1060	10.9	97.2
	3000K	1065	10.9	97.7
	3500K	1070	10.9	98.2
	4000K	1065	10.9	97.7
	5000K	1050	10.9	96.3

## Dimensional and Mounting Details

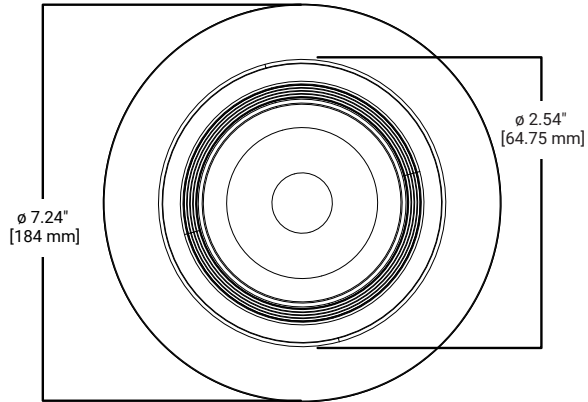
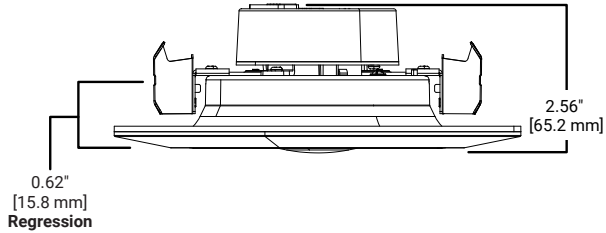
### 5" FRICTION BLADES



### 5" TORSION SPRINGS



### 6" FRICTION BLADES



### 6" TORSION SPRINGS

