

Project		Catalog #		Type	
Prepared by		Notes		Date	



Ephesus

LUMASPORT 8 PRISM Remote System

The Ephesus LUMASPORT 8 PRISM Remote Power System delivers fully tunable RGB turn-key LED sports lighting solutions for both new and retrofit applications.

- **New Applications** - A streamlined full turn-key system solution backed with industry leading reliability and performance.
- **Retrofit Applications** - The minimally invasive retrofit kit allows you to keep all your existing sports lighting system infrastructure (poles, cross-arms, & wiring) providing the lowest total cost of ownership.

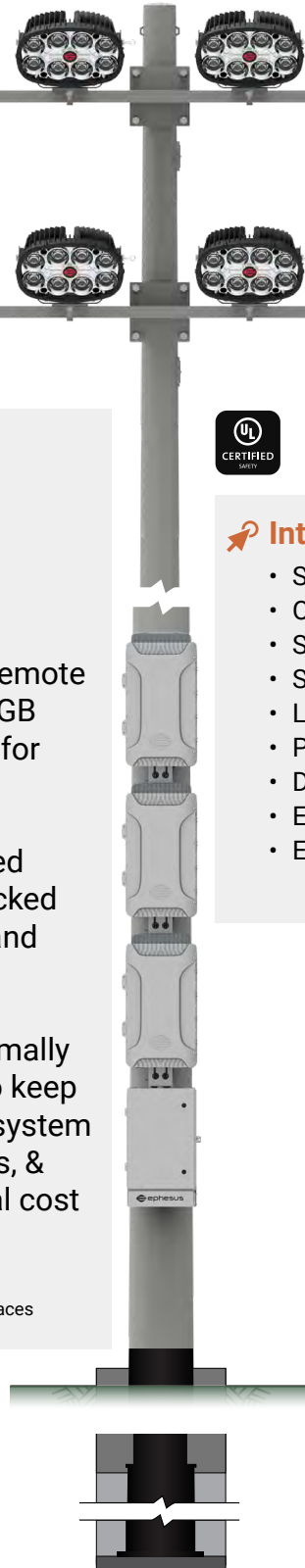
Typical Applications

Outdoor Stadiums • Outdoor Ball Fields • Outdoor Multi-Event Spaces



Interactive Menu

- System Topology & Benefit Features [page 2](#)
- Order Information [page 3](#)
- Sample Order: New Installation [page 5](#)
- Sample Order: Retrofit Installation [page 5](#)
- Light Head Overview [page 6](#)
- Power and Controls Box Overview [page 13](#)
- Distribution Box Overview [page 17](#)
- Example Electrical System Configuration [page 22](#)
- Example System Topologies [page 23](#)



LUMASPORT 8 PRISM REMOTE SYSTEM

SYSTEM TOPOLOGY & BENEFIT FEATURES



LUMASPORT 8 PRISM LIGHT HEADS

(Details on pages 6-11)



Note:
Light Head example shown in a Top Mount Yoke (TY = Top Mount Yoke) configuration for new remote system installations. Mounting infrastructure (ie, Crossarms) ordered separately.

POWER & CONTROLS (PAC) BOX + MOUNTING RAILS

(Details on pages 12-15)



Note:
1 qty. PAC Box can support
2 qty. LUMASPORT 8 PRISM remote power Light Heads.

DISTRIBUTION BOX

(Details on pages 16-20)



Note:
1 qty. Distribution Box can support 6 qty. PAC Boxes.

Lowest Total Cost of Ownership in the Industry

- Modular system options to locate power, controls, and surge at the base of the pole for easy access.

Custom Controls

- Wired DMX or Wireless AirMesh controls options to suit your needs.

System Performance

- Put the light exactly where you want it with our award-winning glare and cutoff control via Hybrid Reflector and TIR Optical System.

System Reliability

- Industry leading light source reliability with Chip-on-Board LEDs
- Exceeds the requirements of the Cooper Lighting Solutions rigorous product testing program that analyzes the performance and lifespan of the system with extensive focus on efficacy, thermal, ingress, vibration, and durability characteristics.

Easy Installation Assembly

- Three easy-to-install system components: the Light Head, the PAC Box, and a Distribution Box.
- Reduce install time with pre-aimable single piece Light Head assembly.

IF YOU NEED CUSTOM SYSTEM COMPONENTS
OR SERVICES PLEASE CONTACT EPHEBUS:
WWW.COOPERLIGHTING.COM/GLOBAL/CONTACT-US/EPHEBUS



- POLES
- CROSS ARMS
- DROP CABLES
- FOUNDATION DESIGN
- LIGHTING DESIGN

LUMASPORT 8 PRISM REMOTE SYSTEM

ORDER INFORMATION

NOTE: A complete LumaSport Remote System order requires a selection entry for:

- 1 LIGHT HEADS - SAMPLE ORDER NUMBER: **EPH-LS-08-500PR-BLK-RGB-CL-5S-PR04-TY-HEG-ST**
- 2 POWER & CONTROLS BOX + MOUNTING RAILS - SAMPLE ORDER NUMBER: **EPH-PAC-500PR-GRY-208-AM-2-MR-ST**
- 3 DISTRIBUTION BOX - SAMPLE ORDER NUMBER: **EPH-DST-6PC-GRY-240-CP-ST**
- A OPTIONAL: BANDING ACCESORIES - SAMPLE ORDER NUMBER: **EPH-RPB-KIT**

1 LIGHT HEADS

Brand	Family	Model	Power Configuration	Color	CCT	CRI	Optic	Light Head Cable (DC)
Brand	Family	Model	Power Configuration	Color ²	CCT	CRI	Optic ⁴	Light Head Cable (DC) ⁵
EPH = Ephesus TAA=Trade Agreements Act ¹	LS = Lumasport	08 = 8 Optics	500PR = Prism Model, Remote Power	BLK = Black	RGB = Prism Red/ Green/Blue	CL ³ = Color RGB	2S = NEMA 3 21.9 40.2 4S = NEMA 4 36.0 64.4 5S = NEMA 5 46.6 82.6 7F = NEMA 7 72.5 131.0	PR04 ⁶ = Prism Standard connectorized
Notes: (1) Only product configurations with this designated prefix are built to be compliant with the Trade Agreements Act of 1979 (TAA). Please refer to DOMESTIC PREFERENCES website for more information. Components shipped separately may be separately analyzed under domestic preference requirements.				Notes: (2) Not coastal rated. Contact Ephesus for coastal fixture options.		Notes: (3) No CRI selection for LUMASPORT 8 PRISM (EPH-LS-08-500PR)	Notes: (4) Optic = NEMA TYPE; BEAM ANGLE; FIELD ANGLE. Additional optical performance data within spec sheet.	Notes: (5) DC Cable connecting the Light Head to the driver box. (6) PR cables must be used for LUMASPORT 8 PRISM (EPH-LS-08-500R).

Light Head Mount	Options	Special Options
Light Head Mount ⁷ *	Options	Special Options
TY = Top Mount Yoke QC = Quick Clamp	HEG = No Visor, high efficiency glass VHE = Visor, high efficiency glass lens	ST = Standard
Notes: (7) Light Head Mounts shipped assembled to Light Head (8) Installation type may vary with lighting design (9) QC = Quick Clamp is intended to be used to mount the Light Head to a 2 inch by 4 inch tubular crossarm.		

2 POWER AND CONTROLS (PAC) BOX

Brand	Family	Power Configuration	Color	AC Input Voltage	Control	Light Heads	Mounting Option	Special Options
Brand	Family	Power Configuration	Color ²	AC Input Voltage	Control	Light Heads	Mounting Option	Special Options
EPH = Ephesus TAA=Trade Agreements Act ¹	PAC = Power and controls box	500PR = Prism 8, Remote Power	GRY = Grey	208 = 208V AC 240 = 240V AC 277 = 277V AC 347 = 347V AC 480 = 480V AC	AM = Wireless Air Mesh Individual LB = Landburst (DMX) Individual	1 = 1 qty Light Head 2 = 2 qty Light Heads	MR = Mounting Rails	ST = Standard 15ft Cables ³ XL = Extended 30ft Cables ⁴
Notes: (1) Only product configurations with this designated prefix are built to be compliant with the Trade Agreements Act of 1979 (TAA). Please refer to DOMESTIC PREFERENCES website for more information. Components shipped separately may be separately analyzed under domestic preference requirements.			Notes: (2) Not coastal rated. Contact Ephesus for coastal fixture options.					Notes: (3) 15ft standard for up to 3 PAC boxes high (4) 30ft supports for more than 3 PAC boxes high

QUANTITY OF FIXTURES PER POLE						
LUMASPORT 8 PRISM	1	2	3	4	5	6
QUANTITY OF PAC BOXES	1 PAC BOX		2 PAC BOXES		3 PAC BOXES	
QUANTITY OF DISTRIBUTION BOXES	1 DISTRIBUTION BOX					

3 DISTRIBUTION BOX

Brand	Family	Configuration	Color	AC Input Voltage	Pole Access	Mounting Option
EPH = Ephesus TAA=Trade Agreements Act ¹	DST = Distribution Box	6PC ³ = Compatible with up to 6 Power & Control Boxes	GRY = Grey	208 = 208V AC 240 = 240V AC 277 = 277V AC 347 = 347V AC 480 = 480V AC	CP = Cover Plate & Adaptor, Standard	ST = Standard
Notes: (1) Only product configurations with this designated prefix are built to be compliant with the Trade Agreements Act of 1979 (TAA). Please refer to DOMESTIC PREFERENCES website for more information. Components shipped separately may be separately analyzed under domestic preference requirements.	Notes: (2) RGB Box will be field wired differently - consult installation manual for reference.	Notes: (3) DIST BOX IS COMPATIBLE WITH 3 PRISM PACS MAX. PRISM PAC Box counts as 2 standard PAC boxes				

A ACCESSORY ORDER INFORMATION

Brand	Accessory	Option
EPH = Ephesus	RPB = Remote Power Pole Banding	KIT = Banding Kit (Banding, Buckles, Tool) BND = Banding, 100ft roll BKL = Buckle, 100 quantity per pack BTL = Banding Tool
Notes: The quantity of banding and banding buckles needed is determined by the circumference of the pole, the quantity of PAC Boxes (quantity 3 bands per PAC Box required for mounting), and Distribution Boxes (quantity 2 bands per Distribution Box required for mounting). A typical 18-inch diameter pole using quantity 3 PAC boxes and quantity 1 Distribution box will utilize 60-70 feet of banding per pole.		

EPH-RPB-KIT = Banding Kit Components

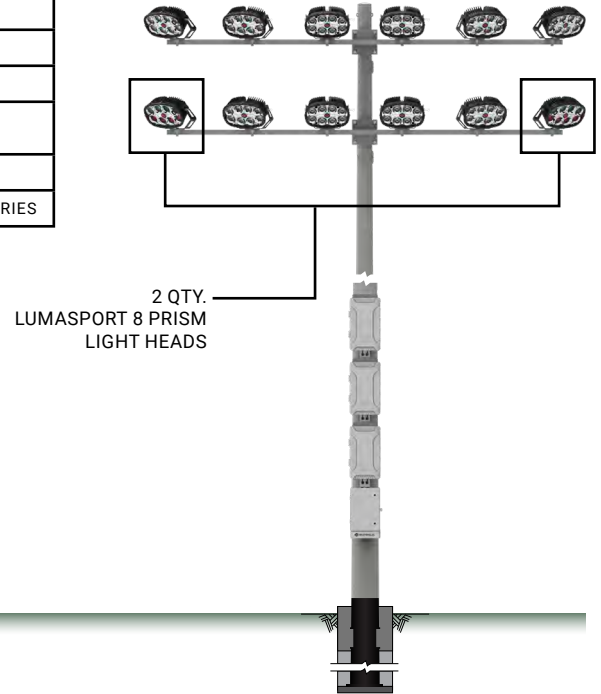
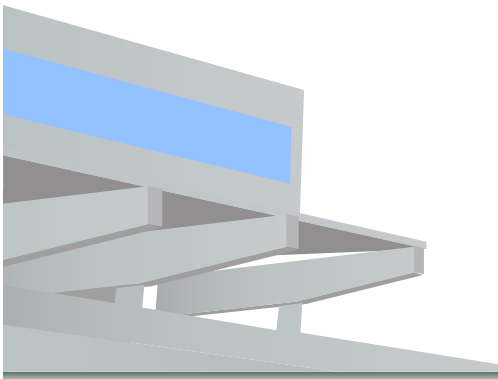
	Banding Tool (EPH-RPB-BTL)	Banding (EPH-RPB-BND)	Banding Buckle (EPH-RPB-BKL)
Description	Tensioning tool for 3/4 inch stainless steel banding	Heavy duty 3/4 inch x .030 inch thick type 201 stainless steel banding.	Type 201 stainless steel banding buckle for 3/4 inch stainless steel banding.
Quantity	1 tool	2 rolls, 100 foot per roll	1 box, 100 qty per box.

LUMASPORT 8 PRISM REMOTE SYSTEM

SAMPLE ORDER: NEW INSTALLATION

Example Order - New (277VAC, AM CONTROLS)

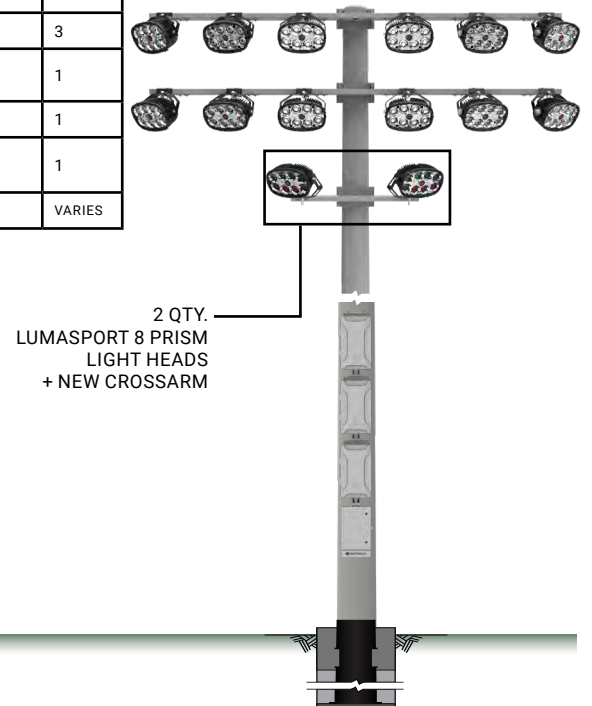
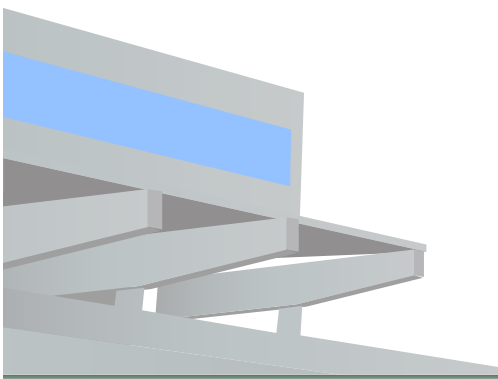
Cat Logic	Description	Qty.
EPH-LS-08-0680R-BLK-57-70-XX-BH3-TY-HEG-ST	LUMASPORT 8 LIGHT HEAD, 3 PIN CONNECTOR, TOP MOUNT YOKE (VARIOUS OPTICS)	10
EPH-LS-08-500PR-BLK-RGB-CL-XX-PR04-TY-HEG-ST	LUMASPORT 8 PRISM LIGHT HEAD, 7 PIN CONNECTOR, TOP MOUNT YOKE (VARIOUS OPTICS)	2
EPH-PAC-0680R-GRY-277-AM-4-MR	PAC, 4 QTY. Light Head PER PAC	2
EPH-PAC-0680R-GRY-277-AM-2-MR	PAC, 2 QTY. Light Head PER PAC	1
EPH-PAC-500PR-GRY-277-AM-2-MR	PAC, 2 QTY. LUMASPORT 8 PRISM LIGHT HEAD PER PACK	1
EPH-DST-6PC-GRY-277-CP-ST	DISTRIBUTION BOX	1
EPH-LTGSTR-P	NEW CROSSARMS & CABLING	VARIES



SAMPLE ORDER: RETROFIT INSTALLATION

Example Order - Retrofit (277VAC, AM CONTROLS)

Cat Logic	Description	Qty.
EPH-LS-08-0680R-BLK-57-70-XX-RAC-QC-HEG-ST	LUMASPORT 8 LIGHT HEAD, RETROFIT ADAPTER CABLE, QUICK CLAMP (VARIOUS OPTICS)	12
EPH-LS-08-500PR-BLK-RGB-CL-5S-PR04-TY-HEG-ST	LUMASPORT 8 PRISM LIGHT HEAD, 7 PIN CONNECTOR, TOP MOUNT YOKE (VARIOUS OPTICS)	2
EPH-PAC-0680R-GRY-277-AM-4-MR	PAC, 4 QTY. Light Head PER PAC	3
EPH-PAC-500PR-GRY-277-AM-2-MR	PAC, 2 QTY. LUMASPORT 8 PRISM LIGHT HEAD PER PACK	1
EPH-DST-6PC-GRY-277-CP-ST	DISTRIBUTION BOX	1
EPH-RPB-KIT	BANDING KIT (1 QTY. TOOL, 200FT BANDING, 100 QTY. BUCKLES)	1
EPH-LTGSTR-C	NEW CROSSARM & CABLING	VARIES



1 LIGHT HEAD OVERVIEW

Performance Data¹

	LUMASPORT 8 PRISM (500W ³)
Nominal Power ³	500W
Input Voltage (Low Voltage)	120 - 277VAC
Input Voltage (High Voltage)	347 - 480VAC
Distribution (NEMA)	2S, 4S, 5S, 7F
Dimming Range	DIM TO OFF, 10%-100%
Operating Temperature Range	-40°C to +40°C
Usage	INDOOR, OUTDOOR
Mounting Options	TOP YOKE; QUICK CLAMP
Electrical Certifications	FCC, UL8750, UL1598
Environmental Certifications	IP66, NEMA4X ⁴
Vibration	ANSI C136.31-2010 1.5G ⁵
Surge	10kV
Effective Projected Area (EPA)	1.8 (sq. ft.)
Effective Projected Area (EPA) with Visor (VHE) ⁶	1.8 - 2.5 (sq. ft.)
Approximate Weight ⁷	Light Head 35 LBS Visor + 1LBS Remote Top Yoke + 6LBS Quick Clamp Yoke + 12LBS

NOTES:

- (1) Specifications are subject to change without notice.
- (2) Refer to Optical Performance Data.
- (3) Values are +/- 10% when fixture is operated at 25°C ambient
- (4) Light Head meets NEMA4X Certification (Steel Yokes Excluded)
- (5) LumaSport 8 with Visors (VHE) qualifies for ANSI C136, 31-2010 1.5G
- (6) EPA may vary depending on the aiming angle of the fixture.
- (7) Weight may vary depending on mounting bracket, VHE Visor option, Light Head and driver box selection.

Optical Performance Data

LUMASPORT 8 PRISM (500W) Lumen Outputs ¹	
LED TYPE	LUMENS
EPHESUS RED	9266
RED/ORANGE	10063
ORANGE	11658
YELLOW	17240
LIME GREEN	9827
EPHESUS GREEN	7974
CYAN	8353
BLUE	6719
EPHESUS BLUE	1935
PURPLE	11201

Light Head Electrical Performance Data

Product	Drive Current Per Color	DC Voltage	Light Head Power**
EPH-LS-08-500PR	1.8 A	75 VDC	500W

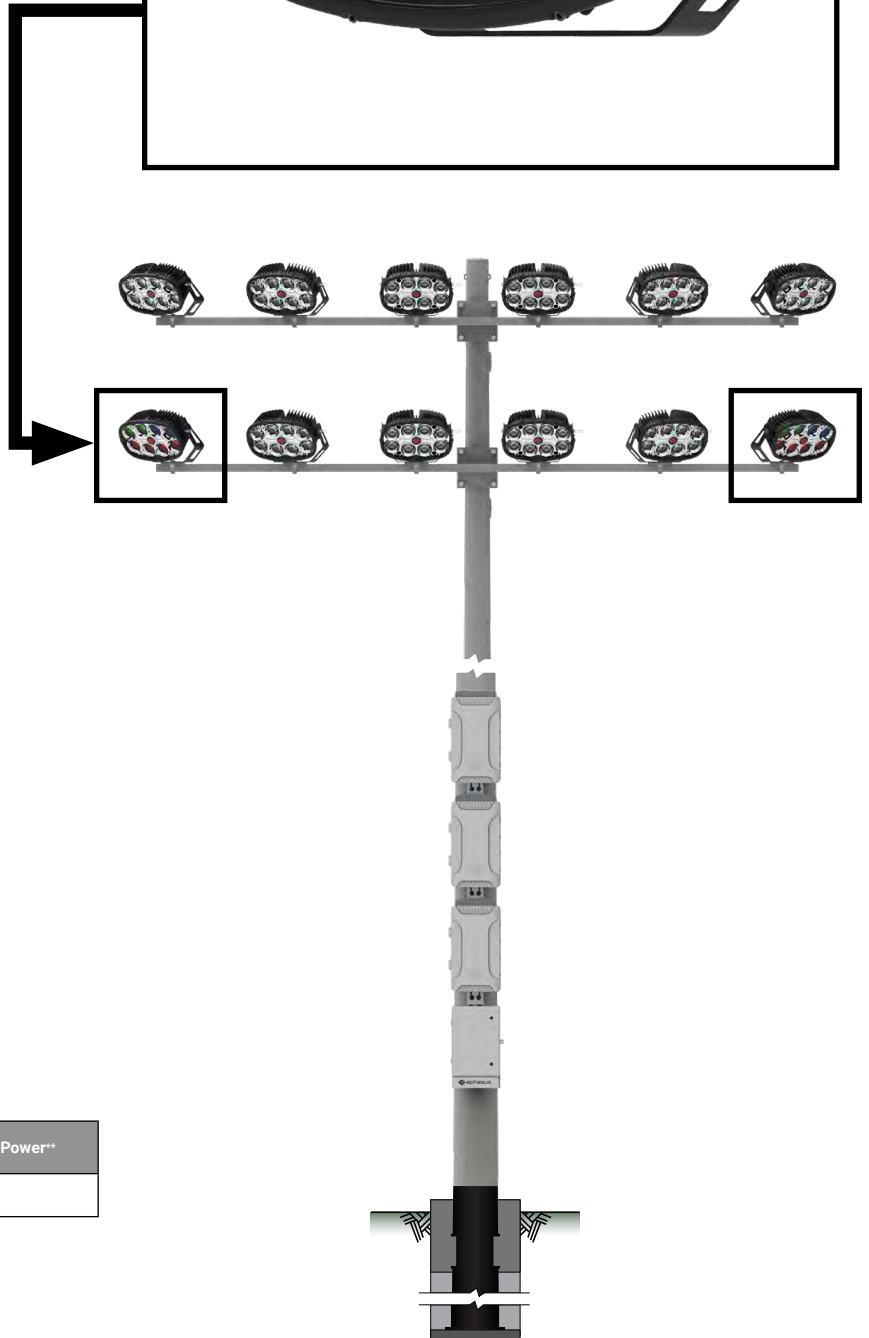
* Light Head cannot be powered independently from the PAC

* 14 AWG, 600V wire required. Rated and installed per electrical standard (contractor Supplied)

* 200ft Max separation from PAC

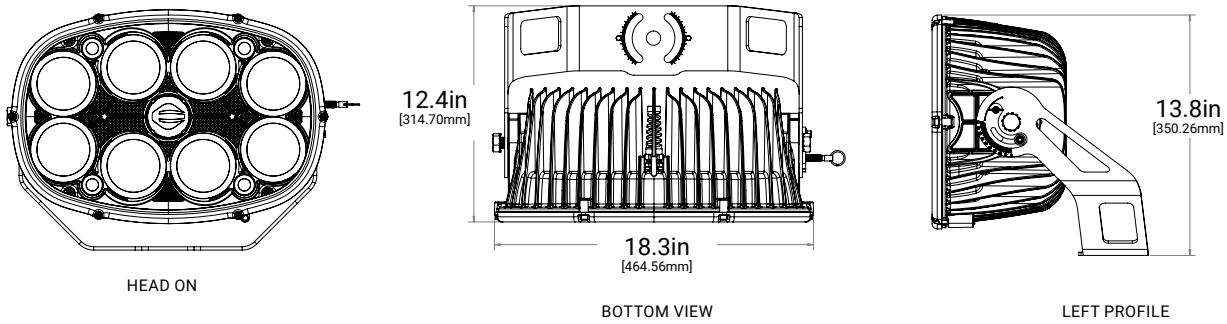
* Electrical System (Light Head, PAC, Distribution Box) must be grounded per electrical standard

**This is the power to the Light Head - for system input power, see page 11 for the PAC electrical performance data

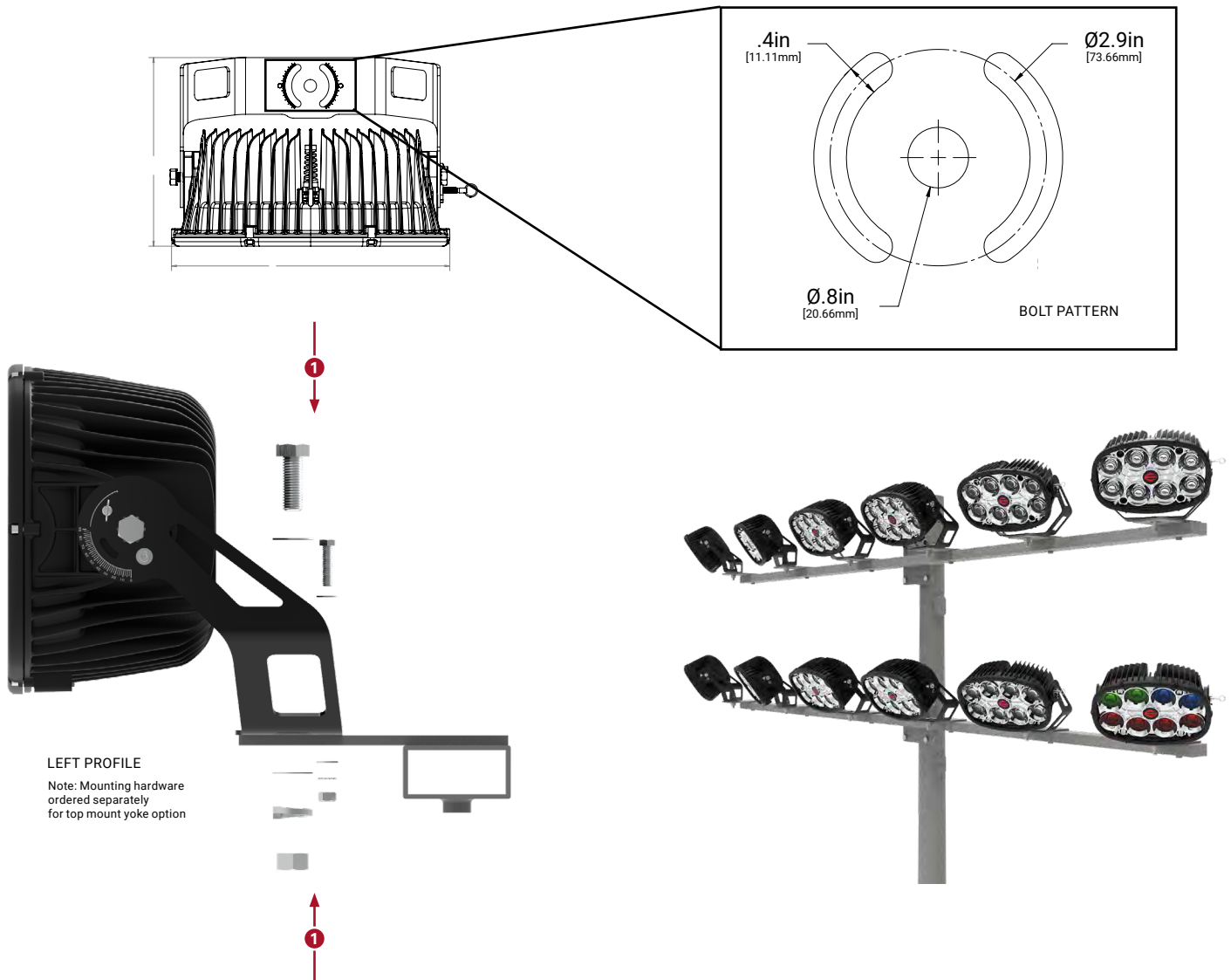


LIGHT HEAD: DIMENSIONAL DETAILS

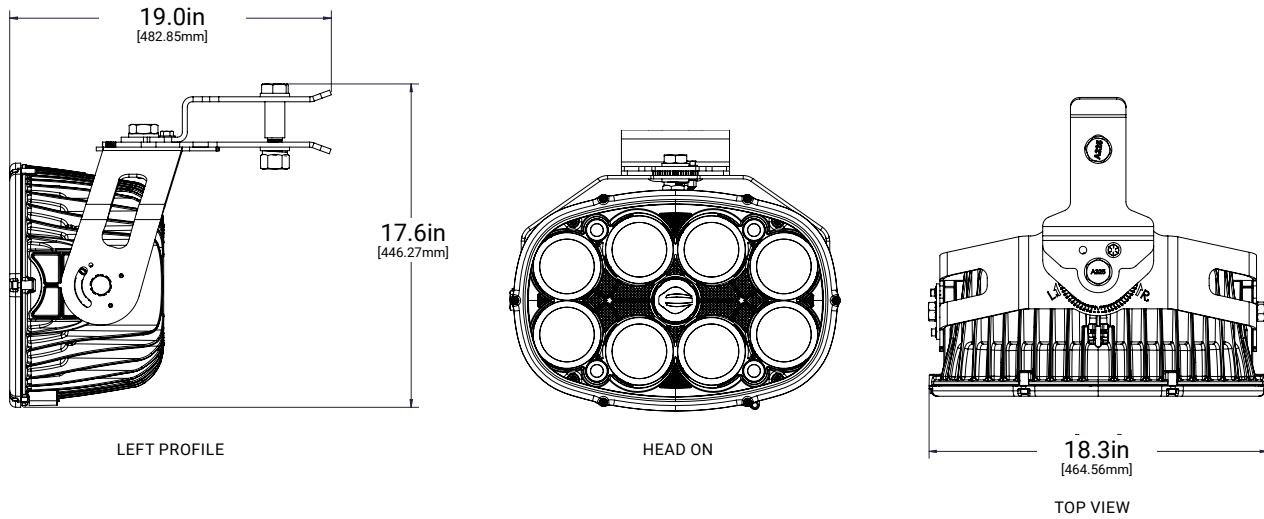
Light Head: TY = Top Yoke Dimensional Details



Light Head: TY = Top Yoke Mounting Attachment Method



Light Head: QC = Quick Mount Dimensional Details



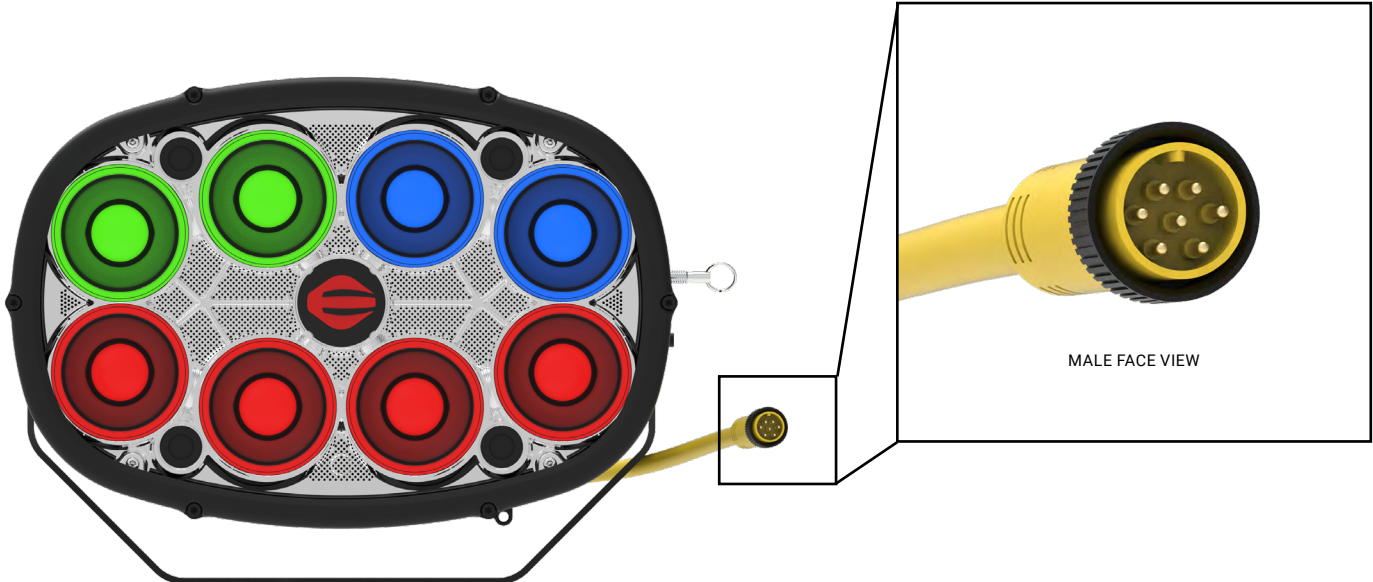
Light Head: QC = Quick Mount Attachment Method

NOTE: Quick Clamp is intended to be used to mount the Light Head to a 2 inch by 4 inch tubular crossarm.

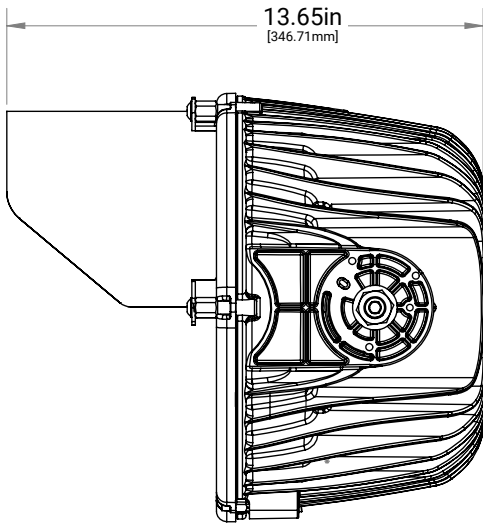


LIGHT HEAD: ELECTRICAL ATTACHMENT METHODS

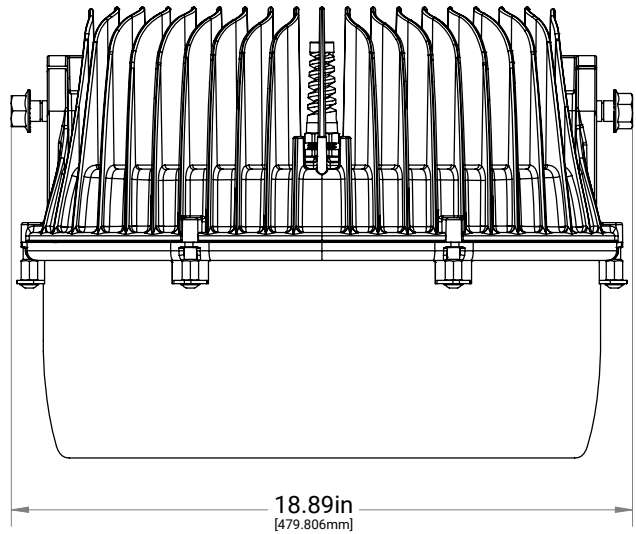
PR04 = 4 foot, 7 Pin Electrical Connector Details



VHE = Visor Option Dimensional Details



LEFT PROFILE: VISOR

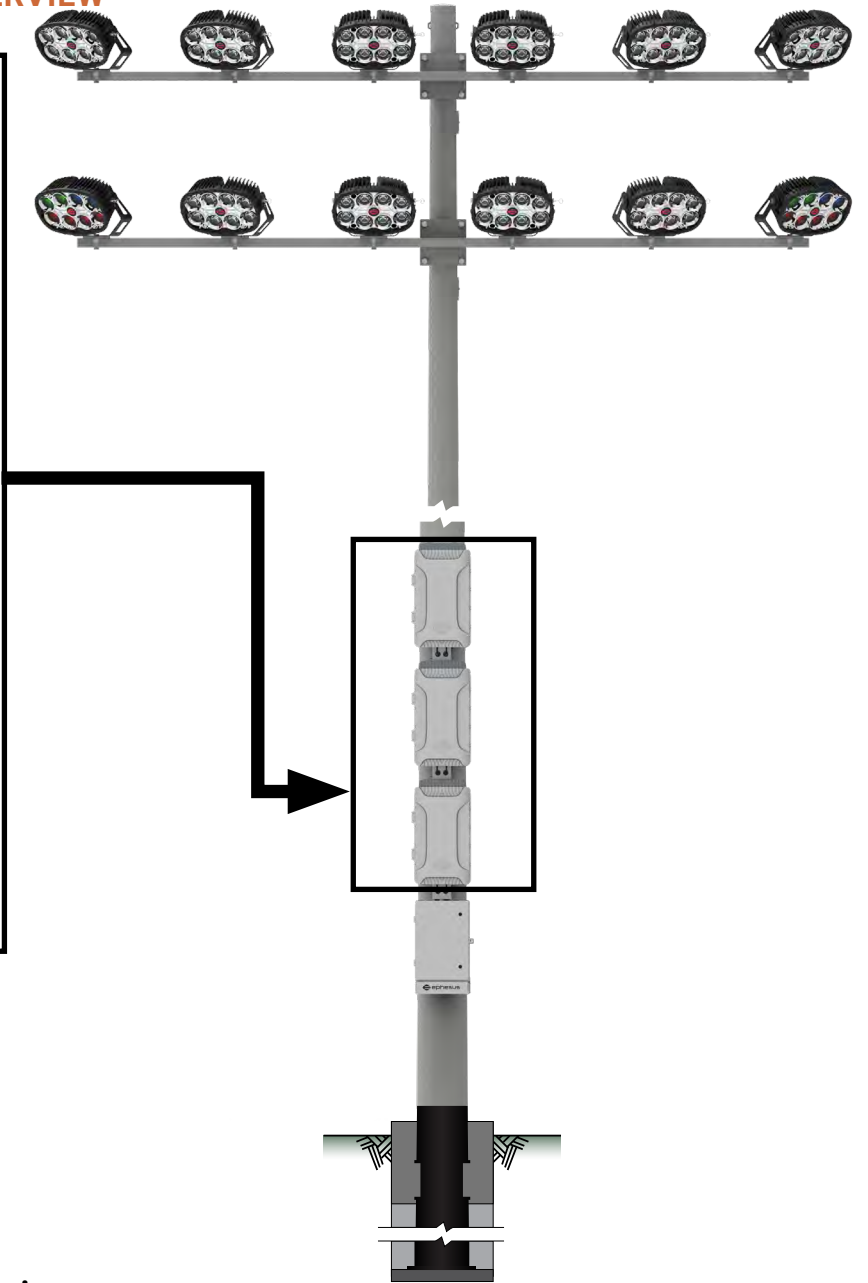


TOP: VISOR

NOTES:

The addition of a visor adds 1lb of material to the Light Head weight.

2 POWER AND CONTROLS BOX OVERVIEW

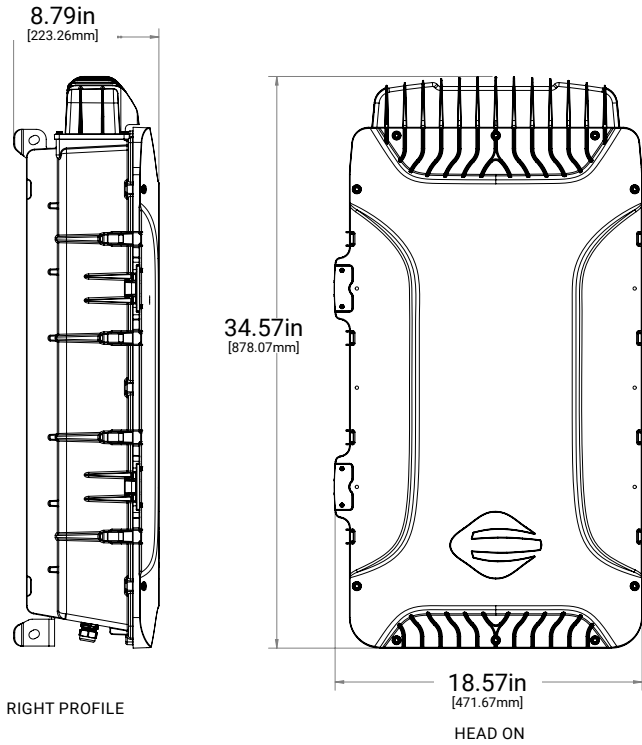


Power and Controls (PAC) Box Specifications

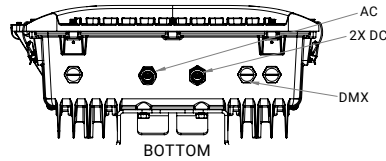
Product	Input Voltage	Surge Protection	Power Per Light Head	System Input Power (2X Light Heads)	Input Current	Power Factor	THD	Inrush period (ms)	Peak Inrush
EPH-PAC-500PR (LV Drivers)	208 VAC	10KV	550 W	1100 W	5.3	>0.9	<10%	.02-.04	47.5
	240 VAC				4.6				
EPH-PAC-500PR (HV Drivers)	277 VAC	10KV	535 W	1070 W	3.9	>0.9	<10%	.12-.24	22.6
	347 VAC				3.1				
	480 VAC				2.2				

LUMASPORT 8 PRISM REMOTE SYSTEM

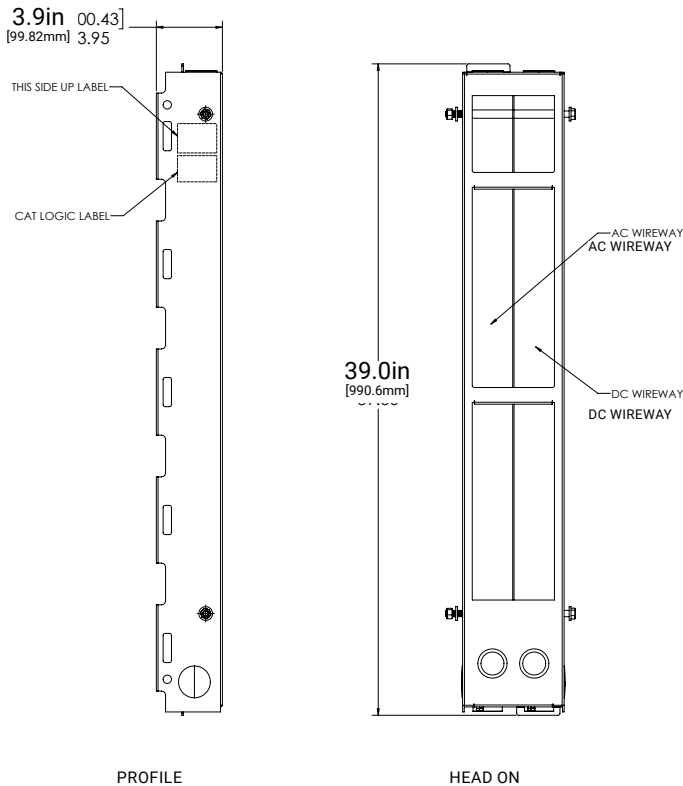
PAC BOX: DIMENSIONAL DETAILS



EPH-PAC-500PR (2x LUMASPORT 8 PRISM Light Heads)	
Operating Temperature Range	-40C to 40C
Usage	Indoor* / Outdoor
Environmental Certifications	IP66
Effective Projected Area (EPA)	5.5 ft^2
Weight	65 lbs



Mounting Rail for PAC Box Dimensional Details



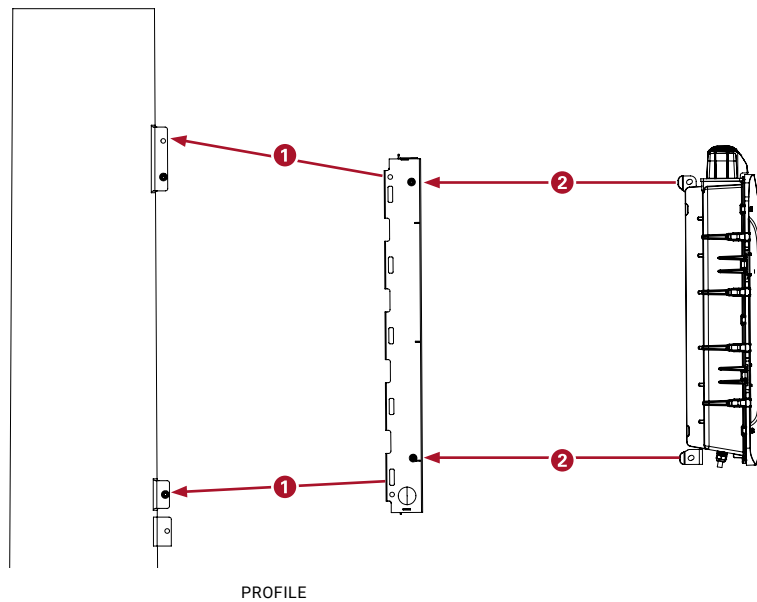
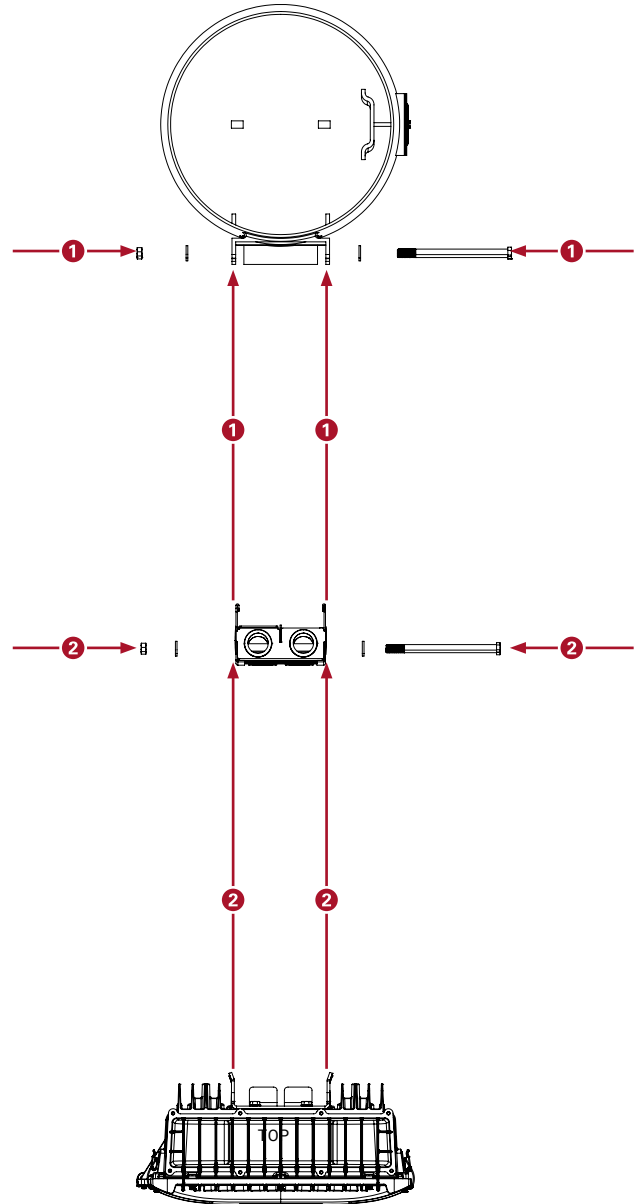
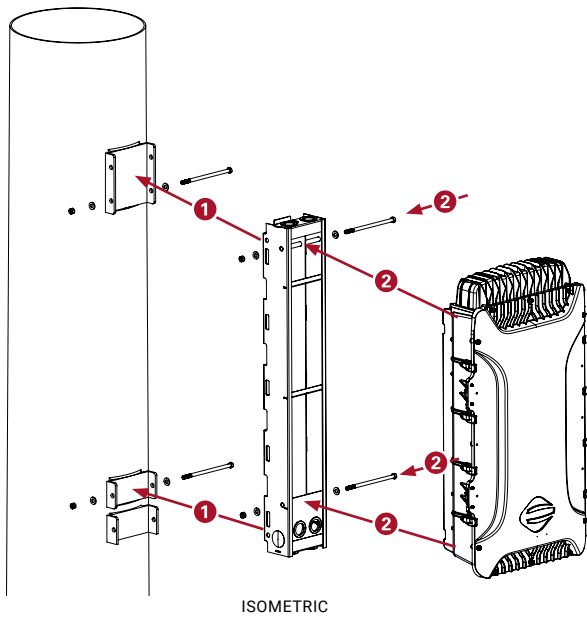
EPH-PAC-500PR (2x LUMASPORT 8 PRISM Light Heads)	
Mounting Rail Data	
Weight	10 lbs
Mounting Options	Pole New, Pole Retrofit, Wall Mount

* The mounting rail can be pole or wall mounted.

PAC BOX: POLE MOUNTING

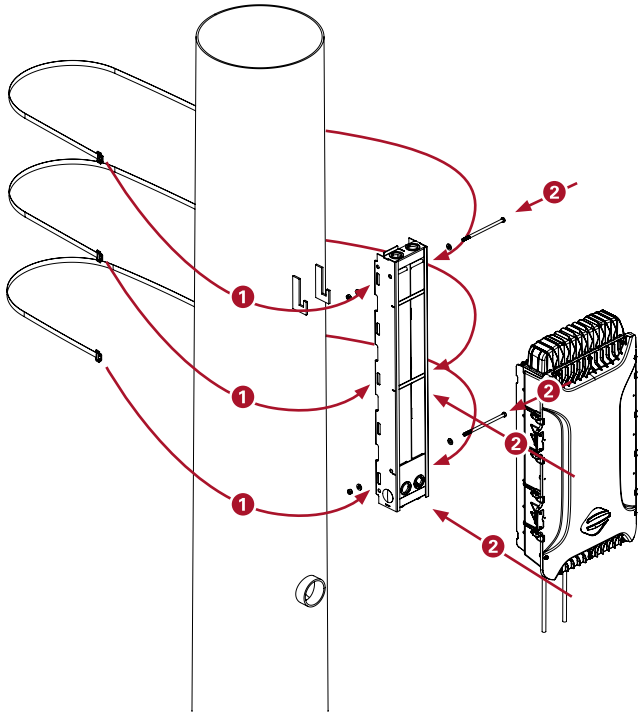
PAC Box: Attaching Mounting Rail With Bolting

NOTE: PAC Box AC & DC Cables are factory installed.

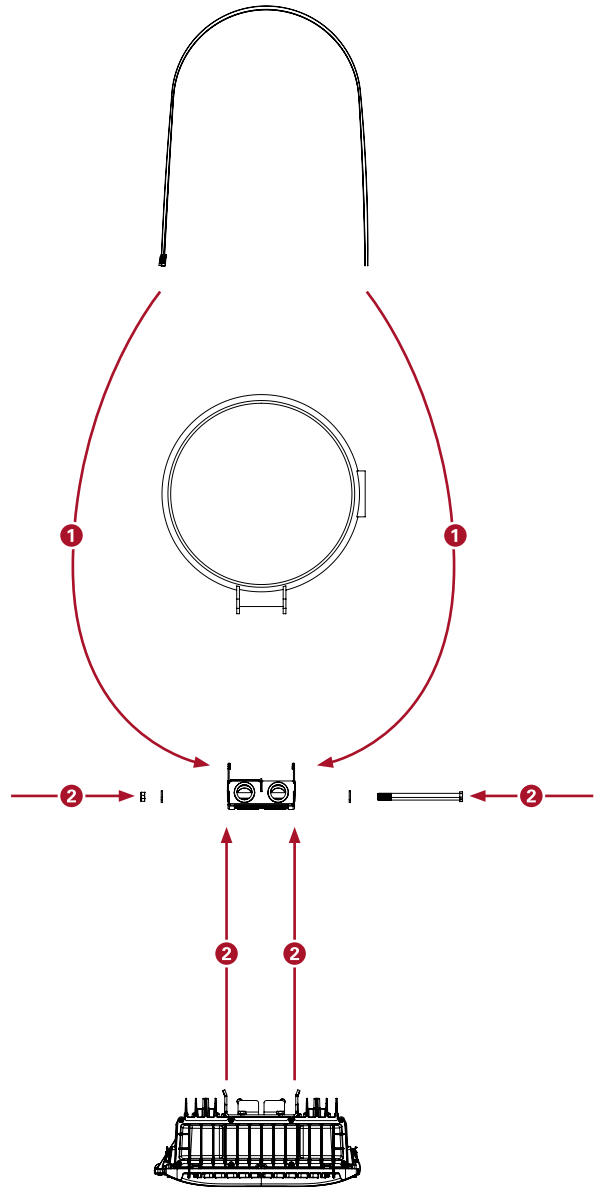


PAC Box: Attaching Mounting Rail with Banding

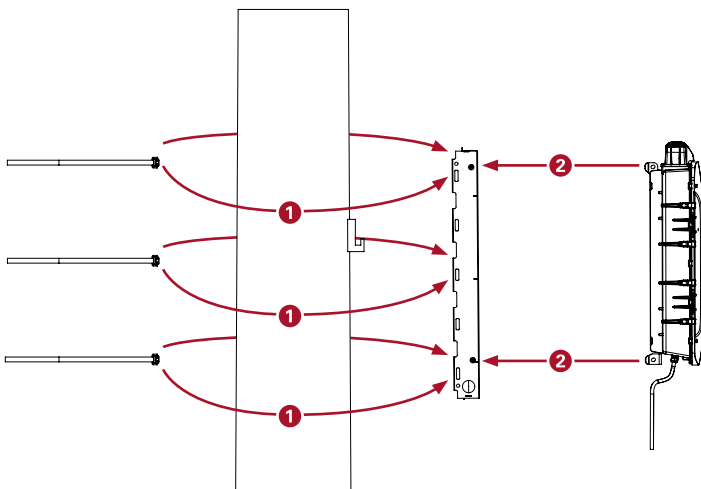
NOTE: PAC Box AC & DC Cables are factory installed.



ISOMETRIC

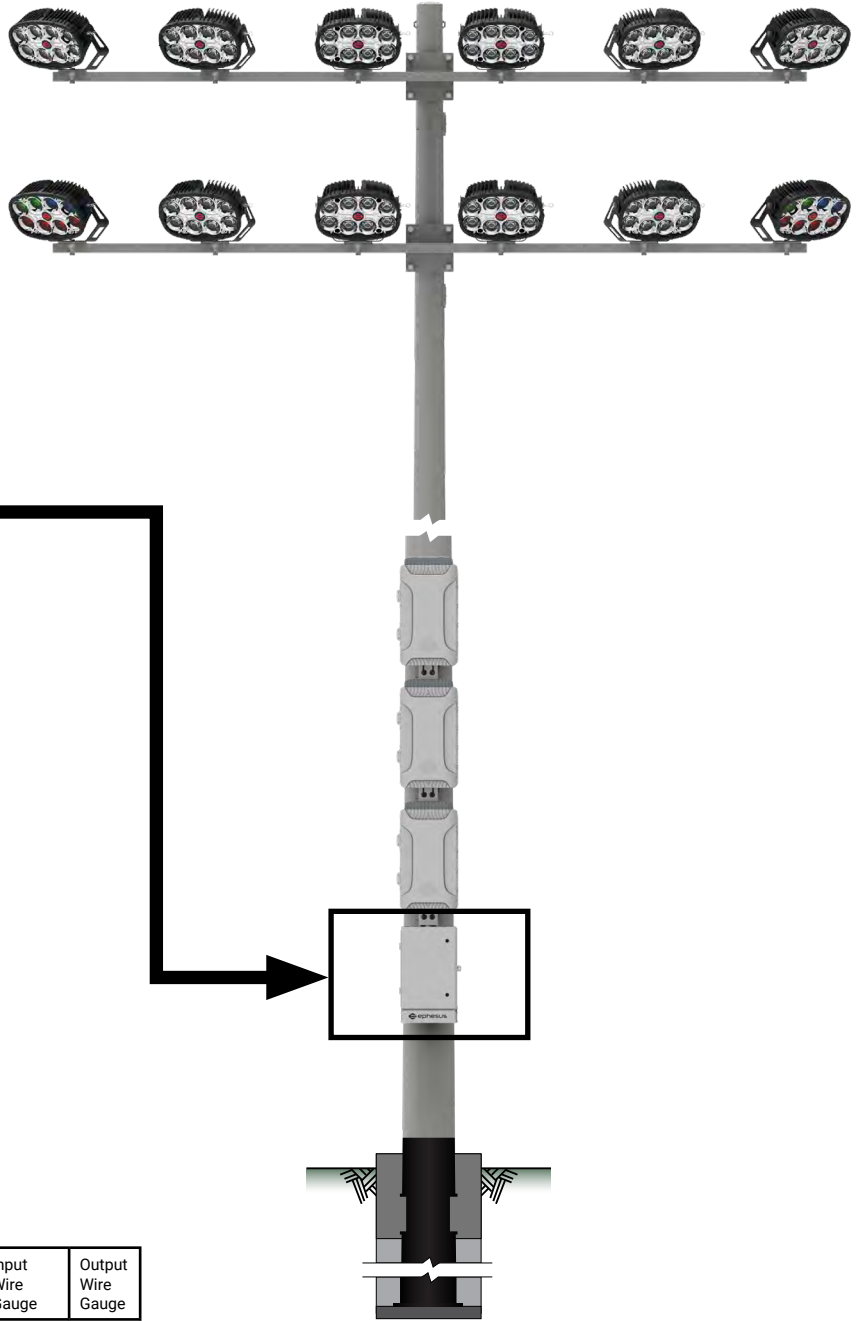


TOP



PROFILE

3 DISTRIBUTION BOX OVERVIEW

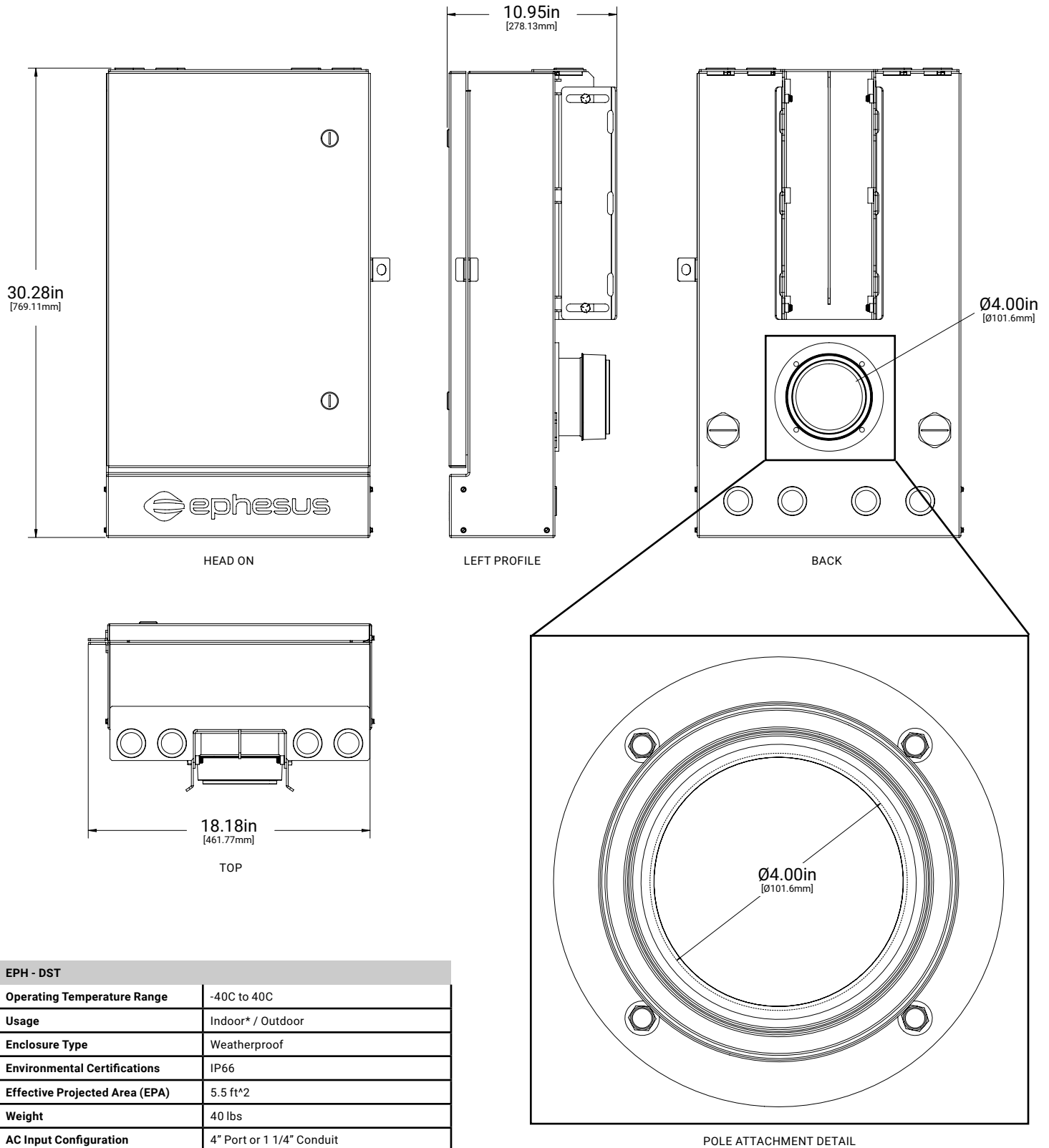


Distribution Box Specifications

Product	Input Voltage	Phase	Max Input Current	Surge Rating	Input Wire Gauge	Output Wire Gauge
EPH-DST-6PC	208-480 VA	Single Phase or 3 Phase	60 Amps	50 kA (Max)	8-1/0 AWG	18-12 AWG

LUMASPORT 8 PRISM REMOTE SYSTEM

DISTRIBUTION BOX: DIMENSIONAL DETAILS

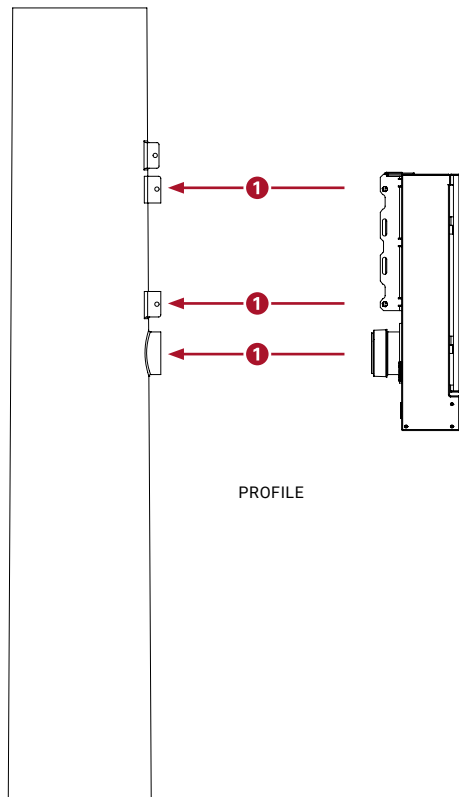
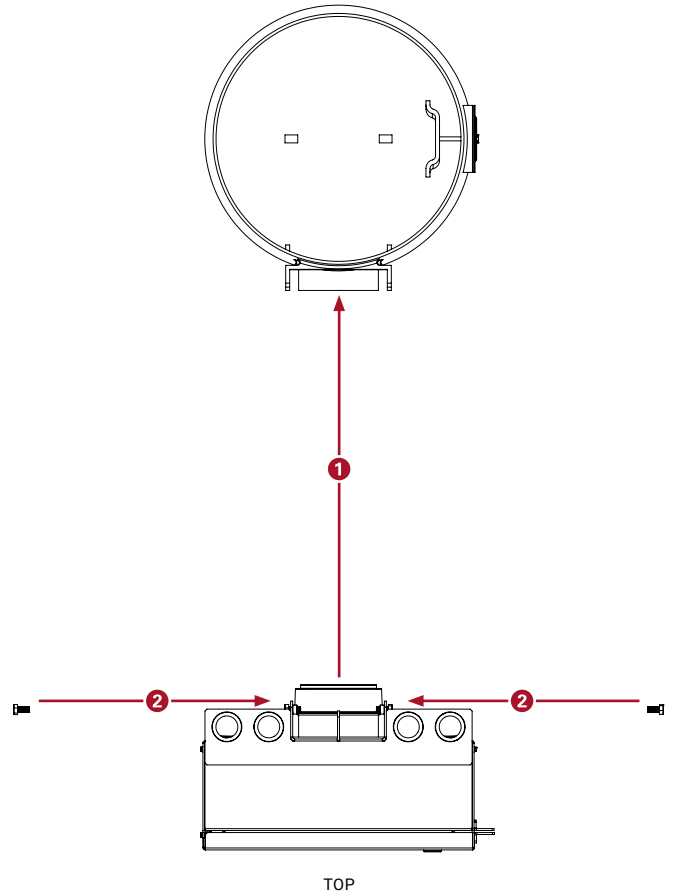
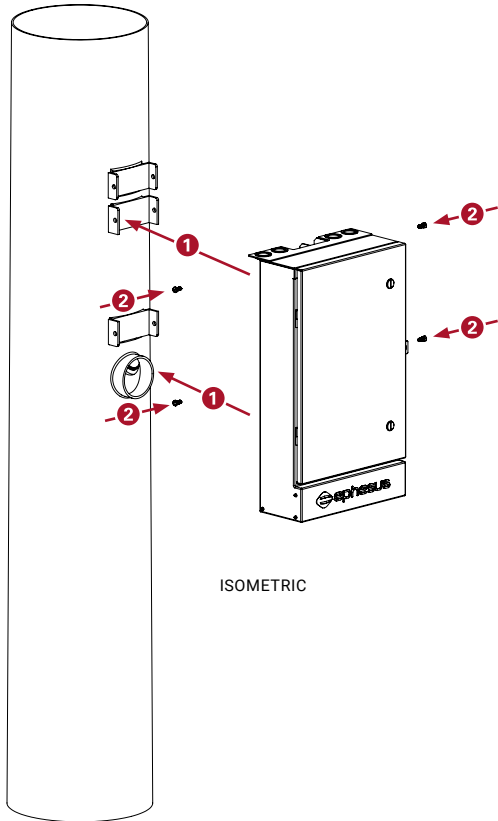


EPH - DST	
Operating Temperature Range	-40C to 40C
Usage	Indoor* / Outdoor
Enclosure Type	Weatherproof
Environmental Certifications	IP66
Effective Projected Area (EPA)	5.5 ft ²
Weight	40 lbs
AC Input Configuration	4" Port or 1 1/4" Conduit
Mounting Options	Pole New, Pole Retrofit, Wall Mount

DISTRIBUTION BOX: POLE MOUNTING

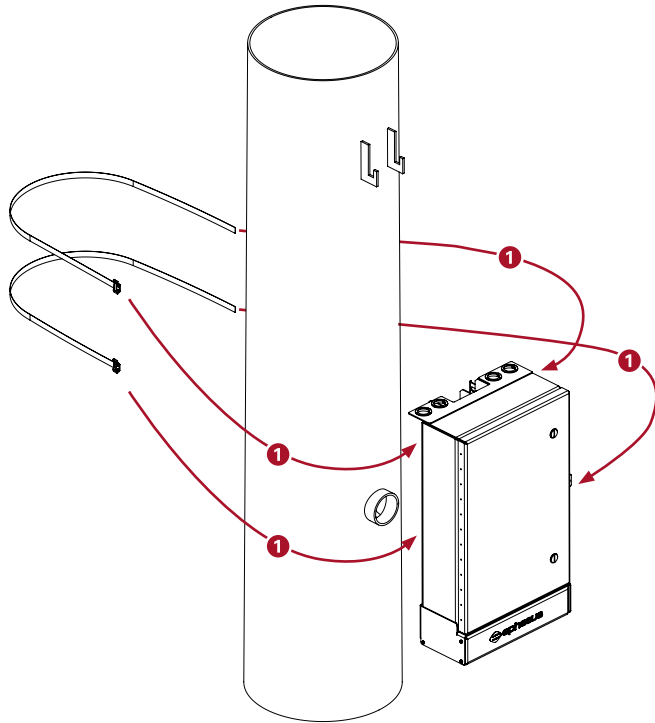
New Installation: Attaching Distribution Box

NOTE: Distribution Box to be installed prior to PAC Boxes. Distribution is designed to be located over or near pole wiring access.

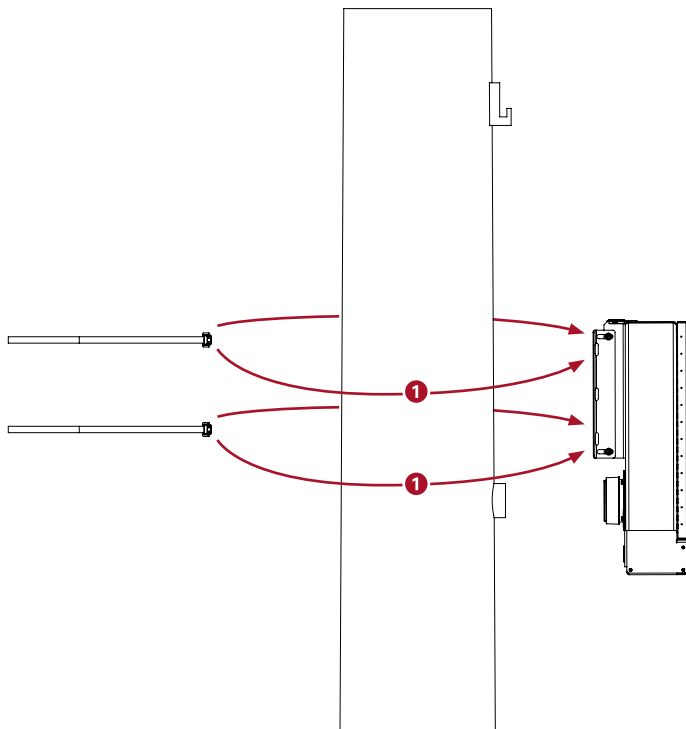


Retrofit Installation: Attaching Distribution Box with Banding

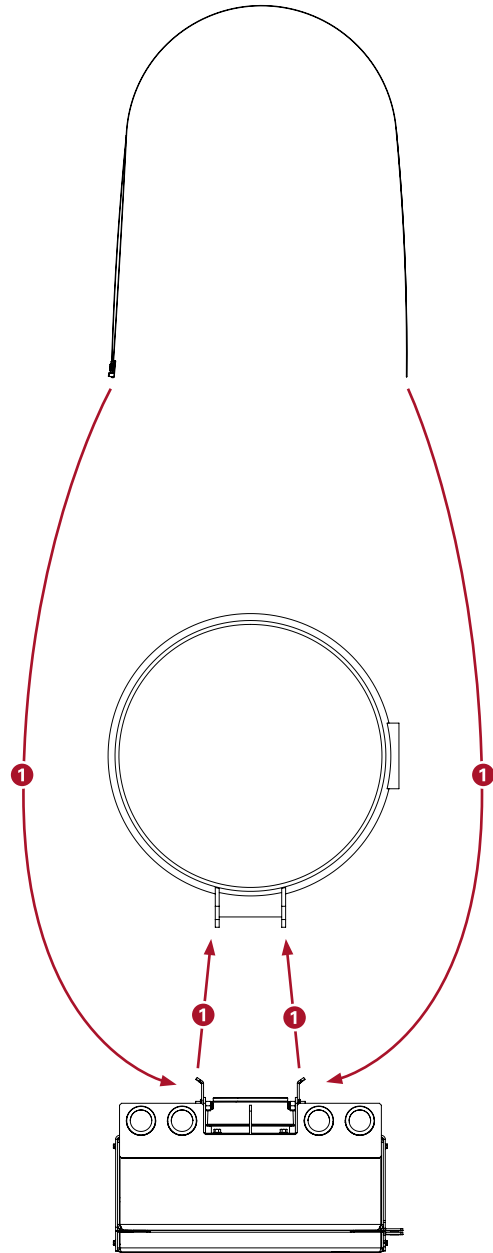
NOTE: Distribution Box to be installed prior to PAC Boxes. Distribution is designed to be located over or near pole wiring access.



ISOMETRIC
RIGHT PROFILE

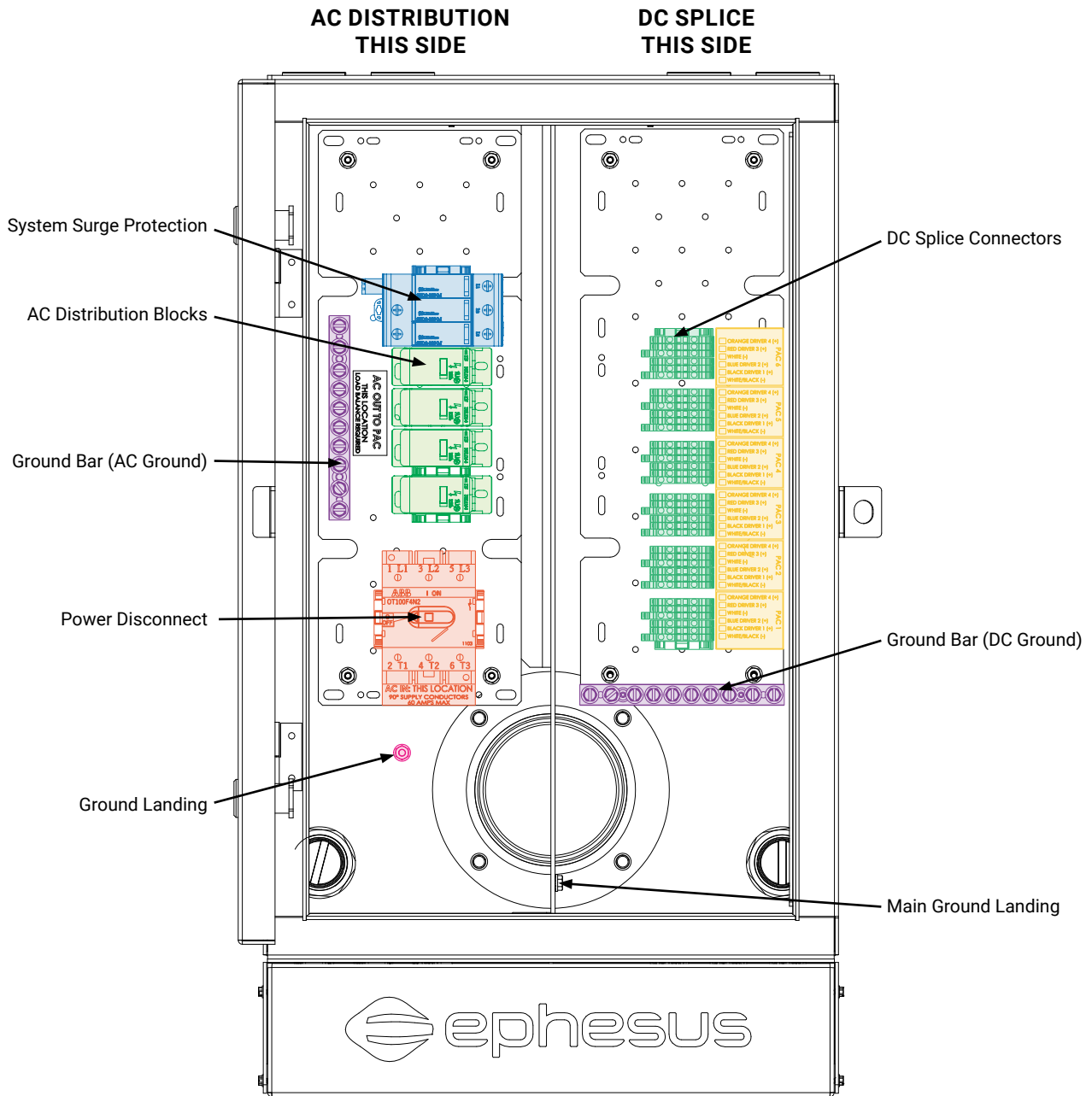


RIGHT PROFILE



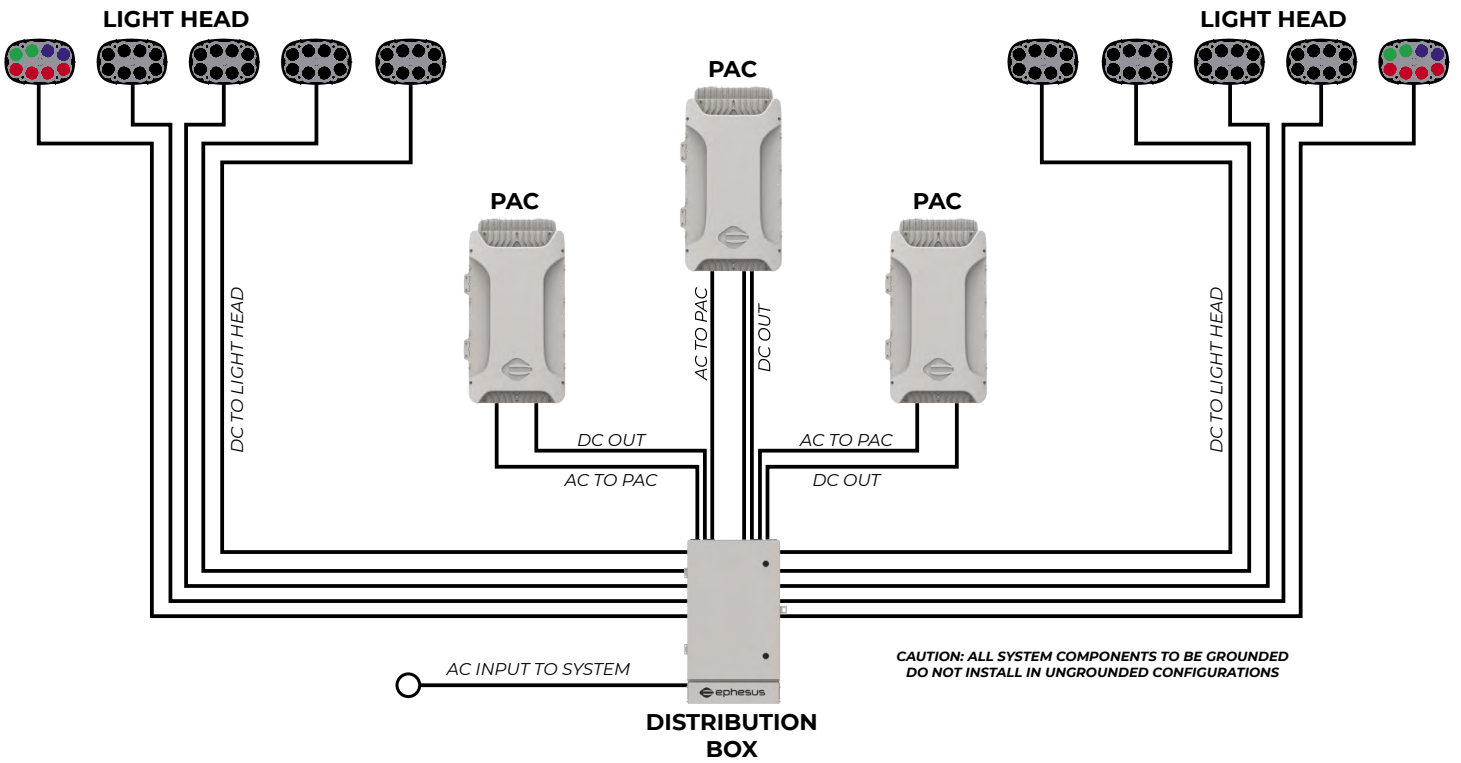
TOP

DISTRIBUTION BOX: ELECTRICAL DETAILS



LUMASPORT 8 PRISM REMOTE SYSTEM

EXAMPLE ELECTRICAL SYSTEM CONFIGURATION

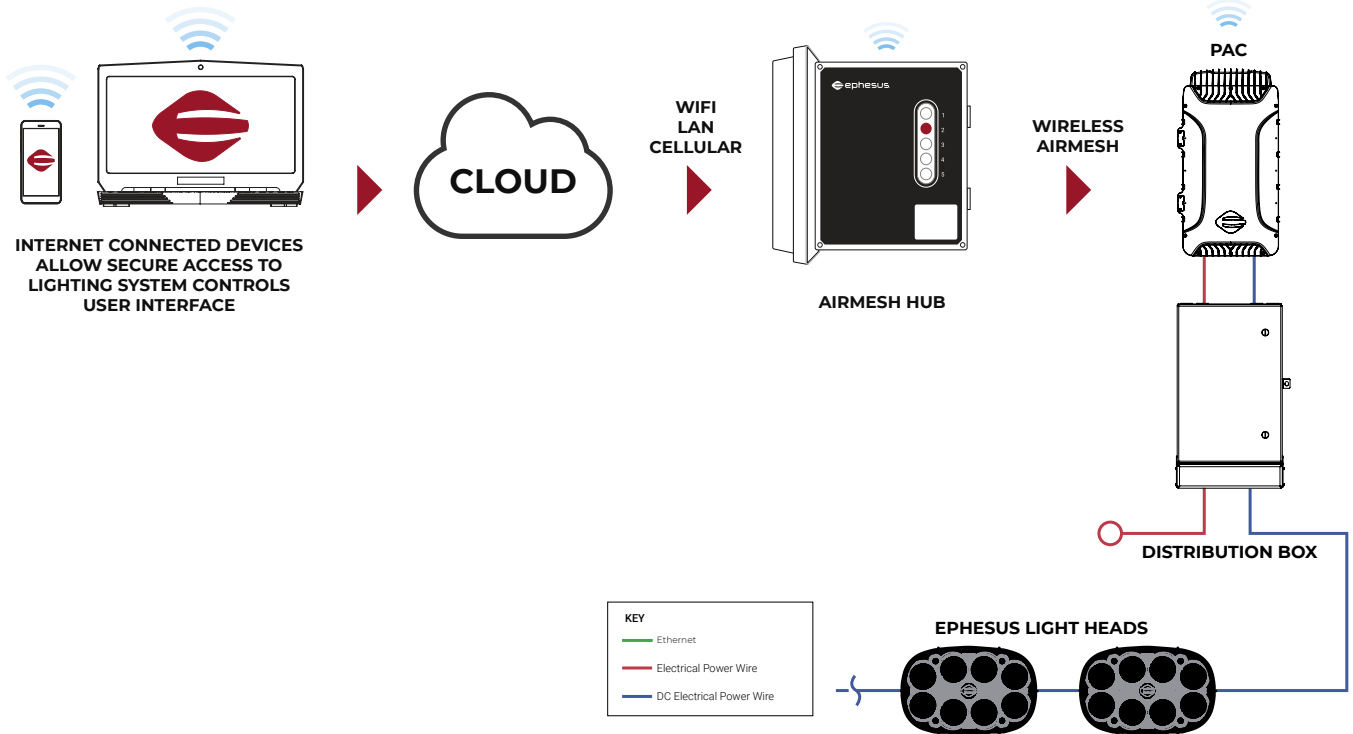


EXAMPLE SYSTEM TOPOLOGIES

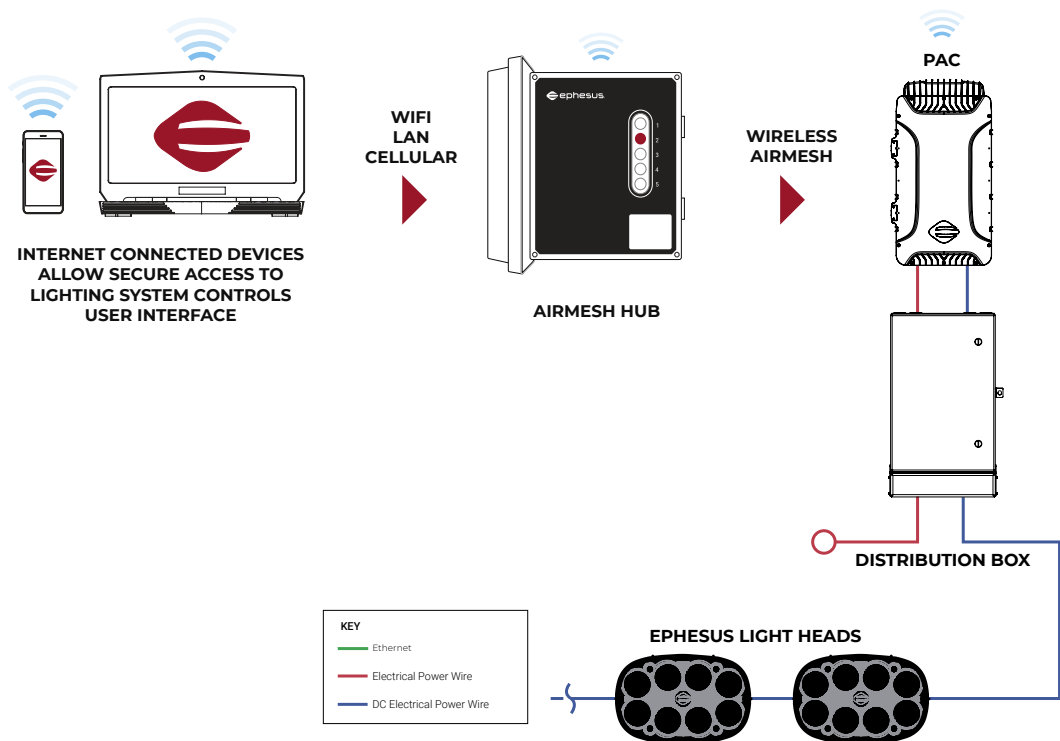
Wireless AirMesh Controls

Example system topology showing the LUMASPORT 8 PRISM System in a Wireless AirMesh Control Installation.
NOTE: Laptop and mobile device not included. A cellular network connection requires a cellular carrier network plan.

REMOTE ACCESS



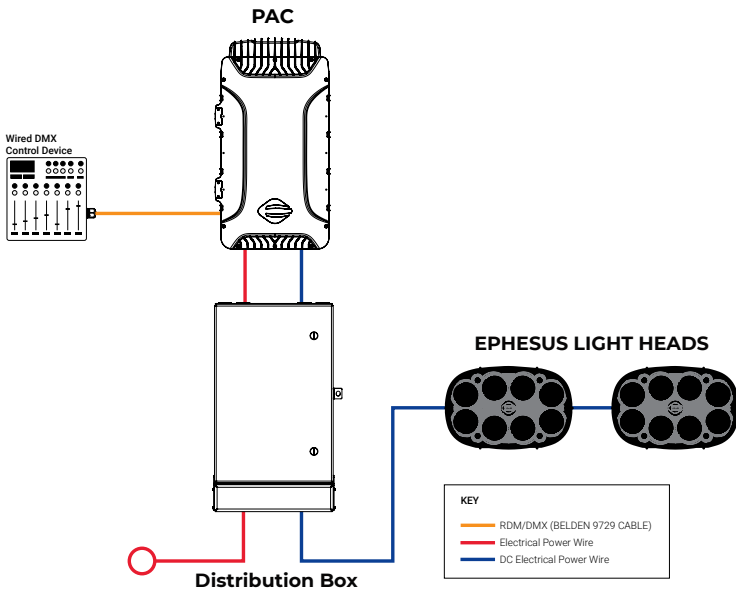
ON SITE ACCESS



Wired DMX Controls

Example system topology showing the LUMASPORT 8 PRISM System in a commonly used wired DMX Control Installation.

Refer to the specifications and limitations of your wired DMX control device before installing this configuration.



Remote Access Point With Wired DMX Controls

Example system topology showing the LUMASPORT 8 PRISM System in a commonly used remote access point with wired DMX Control Installation. Refer to the specifications and limitations of your wired DMX control device before installing this configuration. Note: Laptop and mobile device not included. A cellular network connection requires a cellular carrier network plan.

NOTE: Remote Access Point requires either a wired Internet connection at the lighting system site or through a cellular carrier network connection plan.

