

Project		Catalog #		Type	
Prepared by		Notes		Date	



Metalux

NWS Selectable Wrap (NUV)

LED Wraparound with Selectable Lumens and CCT
Canada Market Only

Typical Applications

• Offices • Education • Healthcare • Retail

Product Certification



Product Features



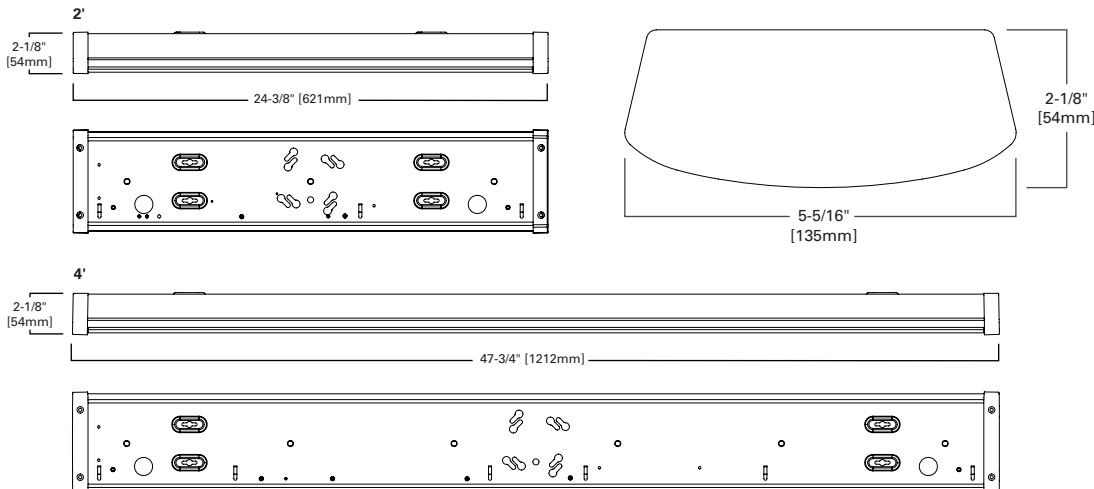
Interactive Menu

- Order Information page 2
- Product Specifications page 3
- Product Warranty

Top Product Features

- Selectable CCT 3500K, 4000K, 5000K and selectable lumens from 2,000-5,400 lumens
- Up to 143 lm/W efficiency, ideal for replacing two or three lamp fluorescent wraparounds (up to 96W equivalent)
- 0-10V dimming standard
- Suitable for ceiling, wall, or suspension mounting
- DLC 5.1 Compliant
- Optional integrated microwave motion sensor (MS) available for 4' type
- Auto sensing 120-347V (NUV) driver

Dimensional and Mounting Details



Order Information and Performance Data

Size	Catalog Number	UPC	Volt	Sensor	Lumen Setting	Nominal CCT	CRI	Delivered Nominal Lumens	Watts	Efficacy (lm/W)	Wt.	Units per Pallet
2 ft	2NWS3C3-NUV	080083257508	120-347V	NO	High	3500K	82	2,491	21.3	117	3.1 lbs.	224
						4000K	82	2,649	20.6	129		
						5000K	82	2,536	21.3	119		
					Medium	3500K	82	2,239	17.9	125		
						4000K	82	2,334	17.3	135		
						5000K	82	2,259	17.8	127		
					Low	3500K	82	1,989	15.7	127		
						4000K	82	2,061	15.2	136		
						5000K	82	2,005	15.6	129		
4ft	4NWS3C3-NUV	080083257546	120-347V	NO	High	3500K	82	5,049	42.3	120	4.6 lbs.	112
						4000K	82	5,393	40.3	134		
						5000K	82	5,162	42.3	122		
					Medium	3500K	82	4,402	34.0	130		
						4000K	82	4,595	32.7	141		
						5000K	82	4,441	34.0	131		
					Low	3500K	82	3,894	29.4	132		
						4000K	82	4,039	28.3	143		
						5000K	82	3,923	29.4	134		
4ft	4NWS3C3MS-NUV	080083257621	120-347V	YES	High	3500K	82	5,068	40.9	124	4.6 lbs.	112
						4000K	82	5,290	39.5	134		
						5000K	82	5,136	40.8	126		
					Medium	3500K	82	4,137	32.7	127		
						4000K	82	4,265	31.7	135		
						5000K	82	4,211	32.5	130		
					Low	3500K	82	3,682	28.7	128		
						4000K	82	3,767	27.9	135		
						5000K	82	3,731	28.5	131		

Accessories (Order Separately)
Y-TOGGLE-10 2PK=(2) Y-Toggle Cable Kits at 10FT long

Load Data

	2'	4'
PF	>=0.98	>=0.98
THD%	<20%	<20%
Low Temp Start	-20	-20

Shipping Data

Catalog Base	Wt.	Units per Pallet
2NW	3.1 lbs.	224
4NW	4.6 lbs.	112

Product Specifications

Construction

- Cold rolled steel die form housing with finished ends
- Post painted with high gloss white powder coating
- High-impact plastic end caps

Shielding

- Smooth white lens provides glare-free performance
- Standard LED blended for wide area coverage
- Replaces 2 or 3-lamp fluorescents up to 96W

Installation

- Surface (wall or ceiling) mount via junction box or direct to surface
- Suspension mount capable using standard V-hook or Y-toggle mounting kits

Electrical

- Projected life of L70 at 50,000 hours
- Efficacy up to 143 lm/W
- 0-10V dimming down to 10%

Compliance

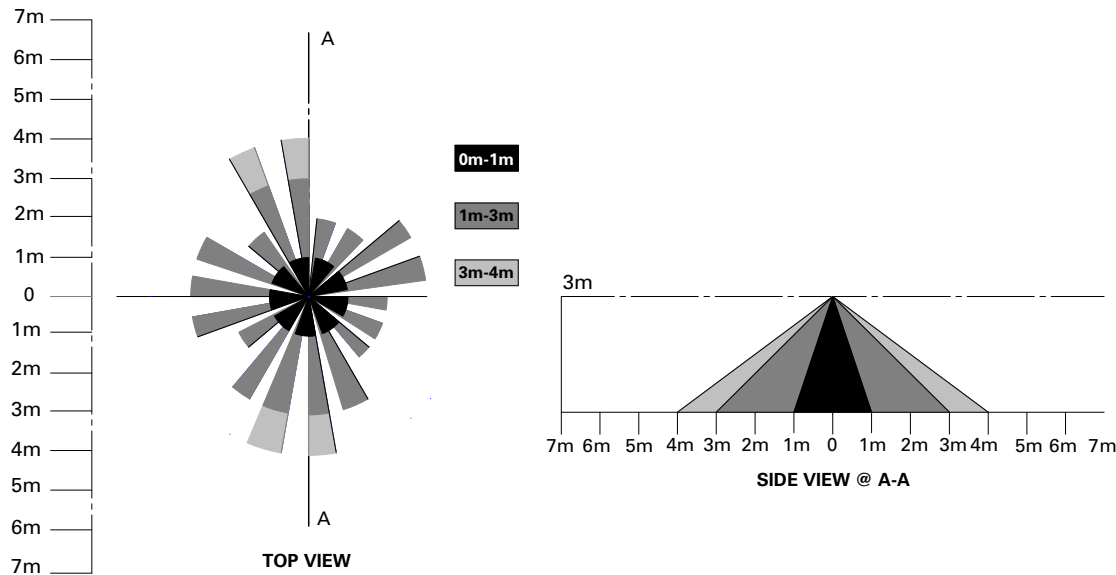
- UL/cUL listed for damp location
- Rated for -4F (-20C) to 104F (40C) ambient operating temperatures
- Meets FCC Part 15 Class B requirements
- RoHS compliant
- LED complies with IESNA LM-79 and LM-80
- DLC 5.1 Standard Qualified

Limited Warranty

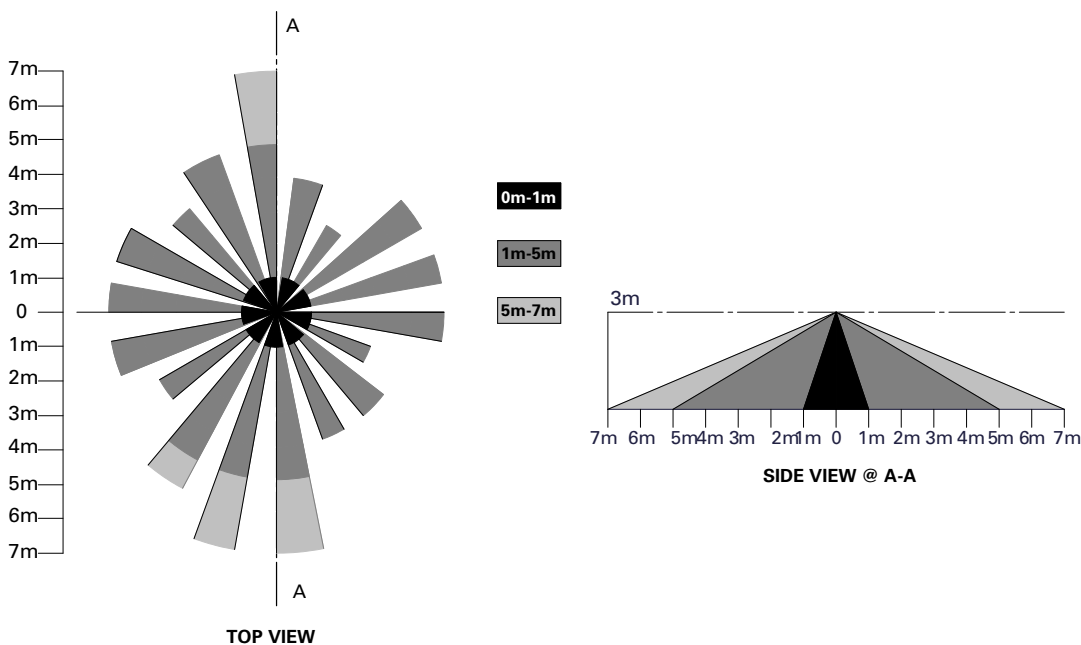
- Five year limited warranty

Sensor Coverage ("MS" SKU Designation)

NWS SENSOR DETECTION 50% COVERAGE



NWS SENSOR DETECTION 100% COVERAGE



Photometric Data

[View IES files](#)

