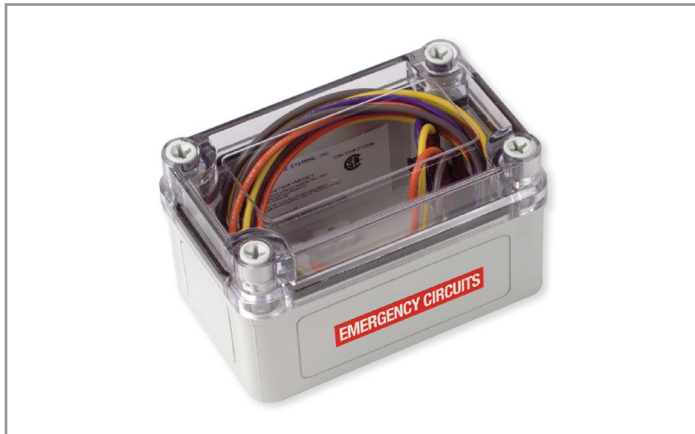


Project		Catalog #		Type	
Prepared by		Notes		Date	



## Greengate

### RIM – Relay Interface Module

The RIM provides a dry contact closure to the Standard Override Card (SOC) or Relay Stack Controller (RSC) of the lighting control panel when normal (grid) power is lost.

#### Typical Applications

Office • Education • Healthcare • Hospitality • Retail • Industrial • Manufacturing

#### Interactive Menu

- Order Information page 2
- Additional Resources page 3
- Product Warranty

#### Product Certification



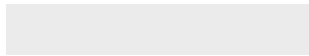
#### Top Product Features

- The Relay Interface Module (RIM) is available in 347 VAC input voltage configuration
- The RIM is designed to force all relays in a lighting control panel to an ON or Closed state regardless of the control panel programmed relay status. This allows the closure of relays during loss of normal (grid) power to allow an alternate power source to drive the lighting loads. Once the RIM senses the normal power returning, the control panel will return to the normal programmed operating mode.
- The RIM provides a dry contact closure to the Standard Override Card (SOC) or Relay Stack Controller (RSC) of the lighting control panel when normal (grid) power is lost. This contact closure forces the SOC or RSC to perform a hardware override of all relays in the enclosure to the ON state. This override condition takes priority over any relay commands from the system controller and will remain in effect until the contact closure from the RIM is removed.
- This contact closure forces the SOC or RSC to perform a hardware override of all relays in the enclosure to the ON state. This override condition takes priority over any relay commands from the system controller and will remain in effect until the contact closure from the RIM is removed
- Detects loss of power and auto sends signal to lighting control panel
- UL 924 Listed Accessory
- Allows Greengate panels to be listed as UL 924 when RIM is connected

 additional product diagrams

Order Information

This is an accessory for the ControlKeeper TouchScreen and LiteKeeper 16 & 32 lighting control panels. When ordering, specify the RIM as a separate system accessory.



Catalog Number

Catalog Number	Description	Rating
RIM347	Relay Interface Module	347 VAC

Product Specifications

Electrical

**Power Sources:** Lighting Control Panels must be fed from alternate power

**Connection:** Connects to normal power

Compatibility

ControlKeeper TouchScreen, LiteKeeper 16 & 32

Standards/Ratings

- UL Approved
- UL 924 Listed

Warranty

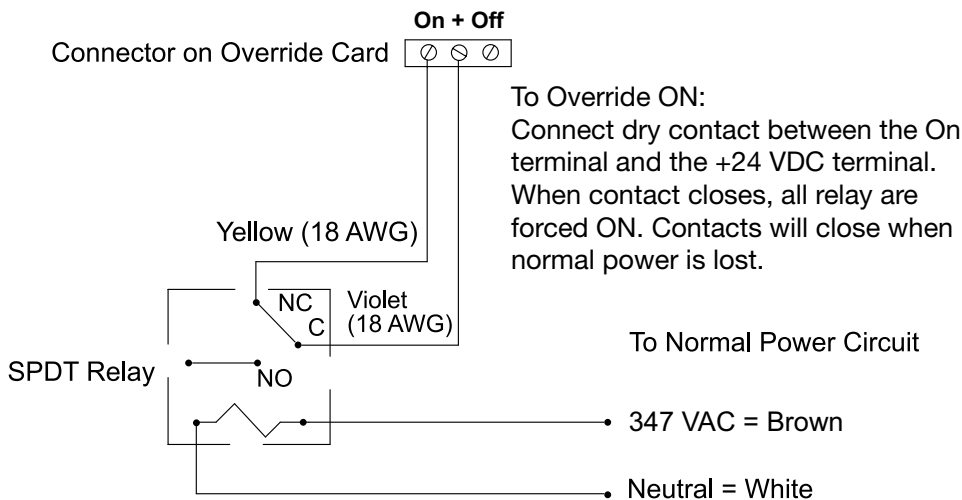
Consult website for warranty information

Installation

The RIM can be installed next to the lighting control panel enclosure.

Wiring Diagrams

Relay Interface Module



**Control Systems**

- Greengate
- DLVP