

## DESCRIPTION

The H7 recessed housing is the standard in the industry for both commercial and residential applications. The wide variety of trims available allows a number of different lighting effects to be created with one basic housing.

## APPLICATION

The H7TNB is suited for use in non-insulated ceilings in residential and commercial applications. If ceiling insulation is present, it must be kept 3" from the fixtures on all sides.

## DESIGN FEATURES

### A...Housing

Aluminum construction for greater heat dissipation.

### B...Plaster Frame

Housing adjusts in plaster frame 1 3/8" to accommodate different ceiling thicknesses. Plaster frame features include:

- Regressed locking screw for securing hanger bars
- Cutouts for easily crimping hanger bars in position
- Halo name embossed on plaster frame Galvanized steel construction. The housing can be removed from plaster frame to provide access to the junction box.

### C...Junction Box

Junction box features include:

- UL listed for through branch circuit wiring
- Positioned to accommodate straight conduit runs
- Seven 1/2" trade size conduit knockouts with true pry-out

slots

- Slide-N-Side™ connectors allow 14/2 or 12/2 non-metallic sheathed cable to be installed without tools and without removing knockouts

### D...GOT NAIL! Pass-N-Thru™ Bar Hangers

Bar Hanger Features include:

- Pre-installed nail easily installs in regular lumber, engineered lumber and laminated beams
- Safety and guidance system prevents snagging, ensures smooth straight nail penetration and allows bar hangers to be easily removed if necessary.
- Automatic levelling flange aligns the housing and lets you hold the housing in place with one hand while driving nails
- Housing can be positioned at any point within 24" joist span
- Score lines allow "toolless" shortening for 12" joists
- Bar hangers may be

Catalog #	Type
Project	
Comments	
Prepared by	Date

repositioned 90°

- Bar hangers do not need to be removed from frame for shortening
- Integral T-bar clips snaps onto T-bars - no additional clips required

### E...Socket

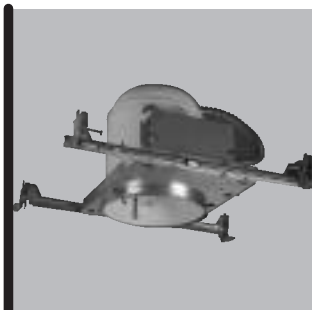
Porcelain socket with nickel plated brass screw shell.

### F...Thermal Protector

Self resetting thermal protector deactivates fixture if overheating occurs due to improper lamping or misapplied insulation.

### Labels

- UL Listed for Damp Location
- UL listed for Feed Through
- CSA Certified
- IP Rated



## H7TNB

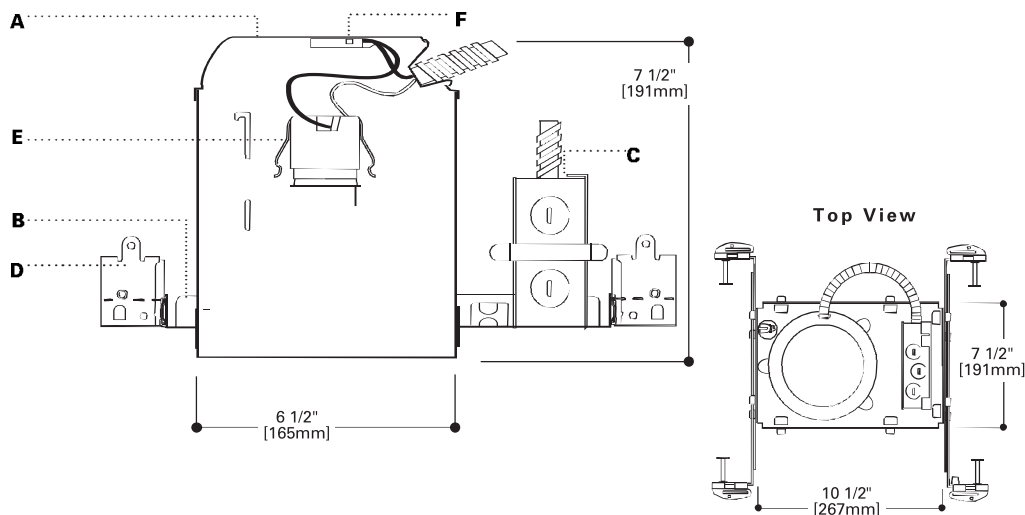
### 6" Non-Insulated Ceiling Recessed Housing

6" TRIMS

FOR USE IN NON-INSULATED CEILINGS OR INSULATED CEILINGS BUT INSULATION MUST BE KEPT 3" FROM ALL SIDES OF FIXTURE

This housing is AIR-TITE when used with the following Trims:

- 170PS
- 171PS
- 173PS
- 78PAT
- 30 (All Styles)
- 430 (All Styles)



### UPGRADE FEATURES:

- SLIDE-N-SIDE™ JUNCTION BOX
- GOT NAIL!™ BAR HANGERS
- PASS-N-THRU™ BAR HANGERS
- REGRESSED LOCKING SCREW
- HALO ID ON PLASTER FRAME

ADV042494

Supersedes ADV023134

9/04

TAB: Recessed Incandescent Sheet 25

TRIMS

ORDERING INFORMATION

SAMPLE NUMBER: H7TNB-30CAT

Order housing, trim and accessories separately.

Housing

Trims

H7TNB=Non-Insulated Ceiling Housing - No Socket Bracket

REFLECTORS



30

**AIR-TITE Super Trim**  
150W A21, 150W PAR38, 100W R30, 75W PAR30, 75W PAR30L, 65W BR30  
30CAT=Specular Clear, Air-Tite  
30HAT=Haze, Air-Tite  
30RGAT=Residential Gold, Air-Tite  
OD: 7 1/4" (184mm)



30

**AIR-TITE Super Trim**  
50W APR30, 75W PAR30L, 100W R30, 85W BR30, 150W R40, 120W BR40, 100W A19, 150W PAR38, 150W A21  
30SBAT=Specular Black, Air-Tite  
OD: 7 1/4" (184mm)



405

**Specular Reflector**  
150W A21  
405SC=Specular Clear  
405H=Haze  
405RG=Residential Gold  
405CG=Champagne Gold  
OD: 7 1/4" (184mm)



4051

**Self Flanged Reflector**  
150W A21  
4051P=White  
OD: 7 1/4" (184mm)

BAFFLES



30

**AIR-TITE Super Trim**  
100W A19, 150W PAR38, 100W R30, 75W PAR30, 65W BR30, 75W PAR30L  
30PAT=Black Baffle  
30WAT=White Baffle  
OD: 7 1/4" (184mm)

ADJUSTABLES



74

**Eyeball - 30° Tilt**  
75W PAR30  
74P=White Eyeball  
OD: 8" (203mm)



76

**Adjustable - 30° Tilt**  
150W PAR38 Side Prong  
76P=White Eyeball  
OD: 8" (203mm)



77

**Eyeball**  
50W R20, 50W PAR20  
77P=White Eyeball  
OD: 8" (203mm)



78

**Eyeball - 30° Tilt**  
75W R30, 65W BR30, 75W PAR30L  
78P=White Eyeball  
78SL=Silver  
78B=Brass Eyeball  
78PB=Polished Brass Eyeball  
78PAT=White Eyeball (converts H7TNB to AIR-TITE Construction)  
OD: 8" (203mm)



90

**Adjustable - 60° Tilt**  
250W PAR38  
90P=White "Double Bubble"  
OD: 8" (203mm)



376

**Adjustable**  
75W PAR30  
376P=Black Baffle, White Trim Ring  
OD: 7 1/4" (184mm)



378

**Adjustable with Splay Reflector**  
75W PAR30  
378=White w/ Specular Clear Splay Reflector  
378P=White w/ White Splay Reflector  
OD: 7 1/4" (184mm)



417

**Coilex Baffle Eyeball**  
75W PAR30  
417P=White with Black Baffle  
417PB=Brass with Black Baffle  
417W=Brass with White Baffle  
OD: 8" (203mm)



419

**Regressed Eyeball**  
75W PAR30  
419=White w/ Specular Clear Splay Reflector  
419P=White w/ White Splay Reflector  
OD: 8" (203mm)



420

**Coilex Regressed Eyeball**  
75W BR30, 75W PAR30L  
420P=Black Baffle, White Eyeball  
420PB=Black Baffle, Polished Brass Eyeball  
420W=White Baffle, White Eyeball  
OD: 7 1/4" (184mm)



478

**Adjustable with Splay - 25° Tilt**  
90W PAR38  
478=White w/ Specular Clear Splay Reflector  
478P=White w/ White Splay Reflector  
OD: 7 1/4" (184mm)

DIFFUSERS



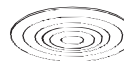
170

**Glass Albalite Lens**  
60W A19  
170P=White Trim Ring  
170PS=White Trim Ring Shower Light  
OD: 8" (203mm)



171

**Plastic Drop Opal**  
60W A19  
171P=White Trim Ring  
171PS=White Trim Ring Shower Light  
OD: 8" (203mm)



173

**Glass Fresnel Lens**  
60W A19  
173P=White Trim Ring  
173PS=White Trim Ring, Shower Light  
OD: 8" (203mm)



172

**Shower Light**  
100W A19, 75W PAR30  
172PS=White Trim Ring, Shower Light  
OD: 7 3/4" (197mm)



430

**Baffle Wall Wash**  
40W A19  
430P=Black Baffle, White Scoop, White Trim Ring  
430W=White Baffle, White Scoop, White Trim Ring  
OD: 7 1/4" (184mm)



1416

**Specular Reflector - 30° tilt (Includes 12V transformer for retrofit)**  
50W 12V MR16  
1416C=Clear Specular Reflector  
1416CG=Champagne Gold Specular Reflector  
OD: 7 1/4" (184mm)



1416BA

**Baffle - 30° tilt (Includes 12V transformer for retrofit)**  
50W 12V MR16  
1416BA=Black Baffle, White Trim Ring  
1416W=White Baffle, White Trim Ring  
OD: 7 1/4" (184mm)



1475

**Adjustable Accent - 30° tilt (Includes 12V transformer for retrofit)**  
50W 12V PAR36  
1475P=White Holder, Black Baffle, White Trim Ring  
1475W=White Holder, White Baffle, White Trim Ring  
OD: 7 1/4" (184mm)

Accessories

Metal Trim Rings

Compatible with 310, 376, 378, 410, 419, 420, 424, 425, 426, 1412, 1416, 1475  
TRM6P=White Metal, TRM6PB=Polished Brass, TRM6C=Chrome  
TRM6MB=Black Metal, TRM6SL=Silver Metal, TRP7MB=Black Plastic

Oversize Trim Rings

For use when ceiling opening is cut too large. Compatible with 310, 376, 378, 405, 410, 419, 420, 424, 425, 426, 429, 1412, 1416, 1475

OT400P=9 1/4" White Metal

OT403P=8" White Plastic

Step Down Transformer

Steps 277V line voltage down to 120V fixture operating voltage. 150VA max.  
H277=150VA Max.

Note: Specifications and Dimensions subject to change without notice.

Visit our web site at [www.cooperlighting.com](http://www.cooperlighting.com)