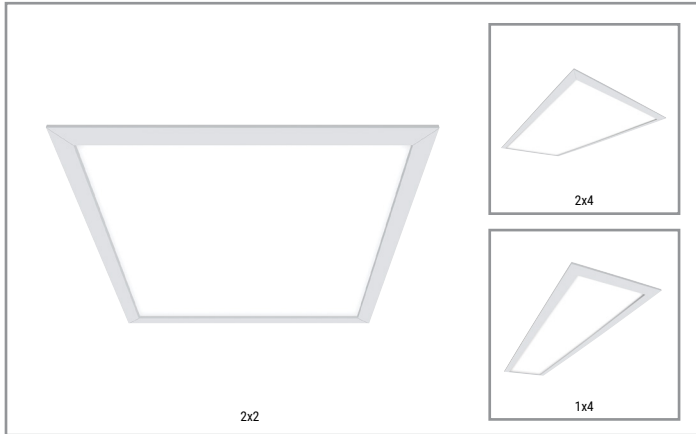


Project		Catalog #		Type	
Prepared by		Notes		Date	



Fail-Safe



FLR / FLR2 Fully Luminous Recessed 2x2 / 2x4 / 1x4



Wet Location
High Abuse (Ligature Resistant)
Medical/Cleanroom

Typical Applications

Healthcare • Public Spaces • Locker Rooms • Behavioral Health • Wet Locations • Cleanrooms • Labs • Canopies • Pharmacies • Research Centers • High Tech Manufacturing • Food Processing • Food Service

Interactive Menu

- Order Information page 2
- Performance page 5
- Product Warranty

Product Certification



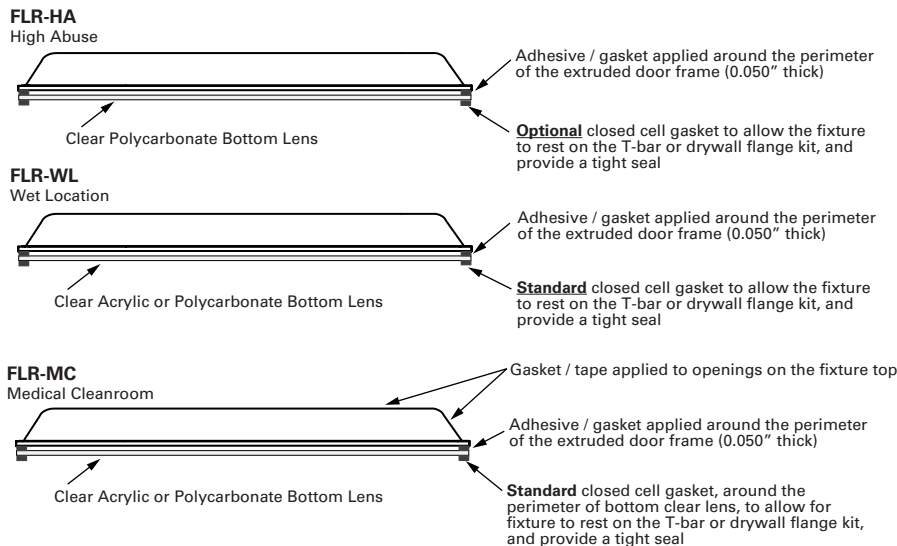
Product Features



Top Product Features

- Fully luminous back-lit luminaire for use in high abuse, medical, wet location, and cleanroom applications
- NSF listed for use in food service/food processing applications - easy cleaning and wipe-down
- Nominal 2-1/2" depth for use in shallow / crowded plenums
- Clear polycarbonate outer lens for use in **behavioral health** applications (FLR-HA). **Ligature resistant.**
- Wet location standard, IP65 and IP66 available for water and dust ingress protection
- ISO3-8 certified and BSL 1-4 rated for use in medical and cleanroom applications (FLR-MC)
- IK10 with polycarbonate lens (FLR-HA) for high abuse applications
- Highly Configurable Make-To-Order

Standard Configurable Dimensional and Mounting Details



Lens Dimensional Information

Clear Bottom Lens	Fixture Height
No Lens	2.125"
CA08	2.255"
CA125, CP125	2.30"
CP187	2.362"
CP250	2.425"
CP375	2.55"

additional product diagrams

Highly Configurable - Make-To-Order

SAMPLE ORDER NUMBER: **FLR2-HA-22-35HE-L840-CP125**
 SAMPLE ORDER NUMBER: **FLR2-WL-24-80HE-L935-CA080-EL14W-HCD**
 SAMPLE ORDER NUMBER: **FLR2-MC-24-65HE-L835-CA125-HCD-WPN**

Domestic Preferences ⁽¹⁾	Fixture	Application	Width/Length	1x4 Lumen Output ⁽²⁾		2x2 Lumen Output ⁽²⁾		2x4 Lumen Output ⁽²⁾	
[Blank]=Standard BAA=Buy American Act TAA=Trade Agreements Act	FLR2=Fully Luminous Recessed	WL=Wet Location HA=High Abuse MC=Medical/Cleanroom	14=1' x 4' 22=2' x 2' 24=2' x 4'	Standard 20=2000 30=3000 42=4200	High Efficiency 20HE=2000 30HE=3000 42HE=4200 70HE=7000 80HE=8000	Standard 20=2000 25=2500 45=4500	High Efficiency 20HE=2000 25HE=2500 35HE=3500 45HE=4500 50HE=5000 60HE=6000	Standard 20=2000 30=3000 35=3500 40=4000 65=6500 72=7200	High Efficiency 20HE=2000 30HE=3000 35HE=3500 40HE=4000 45HE=4500 55HE=5500 65HE=6500 72HE=7200 80HE=8000 90HE=9000 100HE=10000 ^{(3),(4)}
Notes (1) Only product configurations with these designated prefixes are built to be compliant with the Buy American Act of 1933 (BAA) or Trade Agreements Act of 1979 (TAA), respectively. Please refer to DOMESTIC PREFERENCES website for more information. Components shipped separately may be separately analyzed under domestic preference requirements.				Notes (2) Lumens are approximate. Refer to performance tables and IES files for actual delivered lumens and wattage. (3) 2x4 100E lumen output requires two drivers. (4) 2x4 100 lumen output requires two drivers.					

CCT / CRI	Voltage	Clear Outer Lens ⁽²²⁾	Emergency/Options ⁽⁷⁾	Optional Flex/MWS ⁽¹²⁾
L830=3000K, 80 CRI L835=3500K, 80 CRI L840=4000K, 80 CRI L850=5000K, 80 CRI L930=3000K, 90 CRI ⁽⁵⁾ L935=3500K, 90 CRI ⁽⁵⁾ L940=4000K, 90 CRI ⁽⁵⁾ L950=5000K, 90 CRI ⁽⁵⁾ 90 CRI only available with HE	UNV=Universal Voltage 120-277 347V=347 Volt ⁽⁶⁾	Acrylic CA080=Clear Acrylic (0.080" thickness) CA125=Clear Acrylic (0.125" thickness) Polycarbonate CP080=Clear Polycarbonate (0.080" thickness) ⁽²³⁾ CP125=Clear Polycarbonate (0.125" thickness) CP187=Clear Polycarbonate (0.187" thickness) CP250=Clear Polycarbonate (0.250" thickness) CP375=Clear Polycarbonate (0.375" thickness)	[Blank]=None EL7W=7-watt, 120V-277V emergency battery pack installed ⁽⁸⁾ EL14W=14-watt 120V-277V emergency battery pack installed ⁽⁸⁾ EL10W=10-watt 120V-277V emergency battery pack installed, with self-diagnostics ⁽⁸⁾ GTRD=Bodine Emergency Transfer Relay with dimming control ⁽⁹⁾ ATR3=Iota Emergency Transfer Relay with dimming control ⁽¹⁰⁾ IP66=Ingress Protection ^{(20),(21)} GSK=Gasket around perimeter of bottom edge of lens between fixture and ceiling grid (standard on MC and WL)	[Blank]=None Dimming Flex ⁽¹¹⁾ A3/8-4/18GDIM=Flex, hot, neutral, ground, 2 dimming leads A3/8-5/18GDIM=Flex, 2 hots, neutral, ground, 2 dimming leads Non-Dimming Flex ⁽¹¹⁾ A3/8-2/18G=Flex, hot, neutral, ground A3/8-3/18G=Flex, 2 hots, neutral, ground A3/8-4/18G=Flex, 3 hots, neutral, ground MWS - Modular Wiring Systems - Fixture Fitting ⁽¹⁴⁾ MW12FF12/3G=120V Fixture Feed, #12, 3 Conductors + Ground ⁽¹³⁾ MW27FF12/3G=277V Fixture Feed, #12, 3 Conductors + Ground ⁽¹³⁾ MW12FF12/2G-010V=120V Fixture Feed, #12, 2 Conductors, Ground, 0-10V Dimming ⁽¹³⁾ MW27FF12/2G-010V=277V Fixture Feed, #12, 2 Conductors, Ground, 0-10V Dimming ⁽¹³⁾
Notes (5) 90 CRI only available in HE lumen packages.	Notes (6) 347V with sensor and/or emergencies only available with HCD.	Notes (22) Acrylic lens typically used for wet location (-WL) and medical/cleanroom (-MC) applications. Polycarbonate lens usually used for high abuse (-HA) applications. (23) Fixtures using CP080 lens, IK09 certified.	Notes (7) Fixture height increases to 3-3/4". (8) With remote test switch/indicator. For approximate delivered lumens multiply the lumens per watt of the desired fixture by the wattage of the emergency battery pack (100 lm/W x 7=700 lumens). IES-format photometry for luminaire under emergency operation available. (9) Used to bypass local control during outage. Device is dual listed to UL 1008 (transfer switch) and UL 924 (switch bypass), 347V not available. (10) Used to bypass local control during outage. Must be used in conjunction with UL 1008 device (provided by others), 347V not available. (20) 4 Brackets included. (21) IP66 exceeds IP65 rating. Suitable for environments requiring IP65 or IP66 compliance.	Notes (11) Fixture height increases to 3-3/4". (12) Multiple options available in online configurator. See additional notes on Flex below. (13) To be used with Modular Wiring System. Refer to MWS Fixture Fitting specification for additional details. (14) MWS Fixture Fitting increases overall fixture height to 4-7/8". Flexible Metal Conduit Options Flex options available for 0-10V dimming control, DALI dimming control, emergency and night light functions. 72-inch factory-installed and pre-wired to driver, fitted to luminaire housing access plate with 90° enclosed FMC connector. Not all options may be combined and installation ratings vary by type.

Driver Type	Number of Drivers	Integrated Sensing Systems ⁽¹⁷⁾	Accessories ⁽²⁰⁾
[Blank]=CD 0-10V Driver (10%-100% Dimming) HCD=0-10V Driver (1%-100% Dimming) ⁽¹⁵⁾ SLTD=DALI Driver (1%-100% Dimming) ⁽¹⁵⁾ SD=Step Dimming Driver (50%,100% Dimming) ⁽¹⁵⁾ LH=Lutron HiLume (LDE1 series) 1%-100% EcoSystem Driver with Soft-on Fade to Black dimming ^{(15),(7)}	[Blank]=1 Driver 2=2 Drivers ⁽¹⁶⁾	[Blank]=No Sensor WLN=WaveLinX LITE Wireless Control Node, without sensor ^{(18),(A)} WPN=WaveLinX PRO Wireless Control Node, without sensor ^{(18),(B)}	FLR60=Set of mounting security clips (4 qty) for FLR to secure fixture to grid. Works with lenses up to 0.250" thick DFCL-2448W-U*=2' x 4' gasketed drywall framing kit. Cut out dimension 24.25" x 48.25" ⁽¹⁹⁾ DFCL-2424W-U*=2' x 2' gasketed drywall framing kit. Cut out dimension 24.25" x 24.25" ⁽¹⁹⁾ DFCL-1248W-U*=1' x 4' gasketed drywall framing kit. Cut out dimension 12.25" x 48.25" ⁽¹⁹⁾ DFVR/FLR-2448W-U*=2' x 4' vandal resistant drywall framing kit. Cut out dimension 24.25" x 48.25" ⁽¹⁹⁾ DFVR/FLR-2424W-U*=2' x 2' vandal resistant drywall framing kit. Cut out dimension 24.25" x 24.25" ⁽¹⁹⁾ DFVR/FLR-1248W-U*=1' x 4' vandal resistant drywall framing kit. Cut out dimension 12.25" x 48.25" ⁽¹⁹⁾
Notes (15) Fixture height increases to 3-3/4". Integrated options must be used in conjunction with the associated system and may not be compatible with other options or accessories. Please refer to the following: (F) Consult Marketplace Options - Lutron system pages for additional details and compatibility. Compatible only with driver series shown, and may require two or more drivers. Requires field commissioning to operate or dim. Contact Lutron at www.lutron.com .	Notes (16) Fixture height increases to 3-3/4".	Notes (17) Fixture height increases to 3-3/4". (18) To be used with CD or HCD driver. Integrated options must be used in conjunction with the associated system and may not be compatible with other options or accessories. Please refer to the following: (A) Consult WaveLinX PRO system pages for additional details and compatibility. (B) WaveLinX LITE devices are not currently compatible with the WaveLinX Wireless Area Controller. Consult WaveLinX LITE system pages for additional details and compatibility.	Notes *For Antimicrobial matte white finish, replace the W with AMW. ex. DFCL-1248AMW-U. (19) DFCL & DFVR framing kits are used to install the FLR in hard ceiling applications. DFCL is not applicable with IP65 or IP66 options. (20) Accessories sold separately will be separately analyzed under domestic preference requirements. Consult factory for further information.

Selectable

SAMPLE ORDER NUMBER: **Wet Location: FLR-WL-22-L3C3-35/50-CA08-A3/8-5/18GDIM**

SAMPLE ORDER NUMBER: **High Abuse: FLR-HA-24-L3C3-35/50-CP08**

Domestic Preferences ⁽¹⁾	Fixture	Application	Size	Lumen Output		CCT
[Blank]=Standard BAA=Buy American Act TAA=Trade Agreements Act	FLR=Fully Luminous Recessed	WL=Wet Location HA=High Abuse MC=Medical/Cleanroom	22=2x2 24=2x4	2x2 L3C3=2700-5000 lumens ⁽²⁾	2x4 L3C3=3000-6900 lumens ⁽²⁾	35/50=3 CTT Selectable, L3500K/4000K/L5000K
Notes (1) Only product configurations with these designated prefixes are built to be compliant with the Buy American Act of 1933 (BAA) or Trade Agreements Act of 1979 (TAA), respectively. Please refer to DOMESTIC PREFERENCES website for more information. Components shipped separately may be separately analyzed under domestic preference requirements			Notes (2) L3C3 is a selection (field selectable) of the three lumen packages and three (CCT) color temperatures (3500K, 4000K, 5000K).			

Voltage	Clear Outer Lens ⁽³⁾	Emergency/Options
Blank=(120-277)	Acrylic CA080=Clear Acrylic (0.080" thickness) CA125=Clear Acrylic (0.125" thickness) Polycarbonate CP080=Clear Polycarbonate (0.080" thickness) CP125=Clear Polycarbonate (0.125" thickness) CP187=Clear Polycarbonate (0.187" thickness) CP250=Clear Polycarbonate (0.250" thickness)	EL7W =7-watt, 120V-277V emergency battery pack installed ^{(4),(6)} EL14W =14-watt 120V-277V emergency battery pack installed ^{(4),(6)} IP66 =Brackets for IP66 Rating ⁽⁵⁾ GSK =Gasket around perimeter of bottom edge of lens between fixture and ceiling grid (HA only - standard on MC & WL) A3/8-4/18GDIM =6' length, 3/8" cable, 2 wire, 2 dimming leads, ground A3/8-5/18GDIM =6' length, 3/8" cable, 3 wire, 2 dimming leads, ground
	Notes (3) Acrylic lens typically used for wet location (-WL) or medical/cleanroom (-MC) applications. Polycarbonate lens used for high abuse (-HA) applications or whenever an impact resistant luminaire is required.	Notes (4) With remote test switch/indicator/laser test. For approximate delivered lumens multiply the lumens per watt of the desired fixture by the wattage of the emergency battery pack (100 lm/W x 7=700 lumens). IES-format photometry. Remote Test Switch is not WL, NSF, or IP rated. (5) IP66 standard with DFVR/FLR drywall kit. IP66 rating also includes IP65 rating, as IP66 testing requirements are stricter than IP65 requirements. 4 brackets are included, to secure the luminaire to the ceiling structure. (6) EM pack is always specified before (to the left of) the flex.

Accessories - not Quick Ship ⁽⁸⁾
<p>FLR60=Set of mounting security clips (4 qty) for FLR to secure fixture to grid. Works with lenses up to 0.250" thick</p> <p>DFCL-2448W-U=2' x 4' gasketed drywall framing kit. Cut out dimension 24.25" x 48.25" ⁽⁷⁾</p> <p>DFCL-2424W-U=2' x 2' gasketed drywall framing kit. Cut out dimension 24.25" x 24.25" ⁽⁷⁾</p> <p>DFCL-1248W-U=1' x 4' gasketed drywall framing kit. Cut out dimension 12.25" x 48.25" ⁽⁷⁾</p> <p>DFVR/FLR-2448W-U=2' x 4' vandal resistant drywall framing kit. Cut out dimension 24.25" x 48.25" ⁽⁷⁾</p> <p>DFVR/FLR-2424W-U=2' x 2' vandal resistant drywall framing kit. Cut out dimension 24.25" x 24.25" ⁽⁷⁾</p> <p>DFVR/FLR-1248W-U=1' x 4' vandal resistant drywall framing kit. Cut out dimension 12.25" x 48.25" ⁽⁷⁾</p> <p>Lift Kit - No Bottom Lens: XX-LK2=Lift Kit, 2" ⁽⁹⁾</p> <p>Lift Kit - With Bottom Lens: XX-LK2/BLACC080=Lift Kit, 2", factory assembled, clear bottom 0.080" thick acrylic lens ^{(9),(10)} XX-LK2/BLPCC080=Lift Kit, 2", factory assembled, clear bottom 0.080" thick polycarbonate lens ^{(9),(10)} XX-LK2/BLACC125=Lift Kit 2", factory assembled acrylic 0.125" bottom lens, IP65 rated ^{(9),(10)} XX-LK2/BLPCC125=Lift Kit 2", factory assembled polycarbonate 0.125" bottom lens, IP65 rated ^{(9),(10)}</p> <p>Notes *For Antimicrobial matte white finish, replace the W with AMW. ex. DFCL-1248AMW-U. (7) DFCL & DFVR framing kits are used to install the FLR in hard ceiling applications. DFCL is not applicable with IP65 or IP66 options. (8) Accessories sold separately will be separately analyzed under domestic preference requirements. Consult factory for further information. (9) Replace XX with fixture dimension whereas 14=1' x 4', 22=2' x 2', 24=2' x 4'. Example: 14-LK2/BLACC125 (1' x 4' MRI Lift Kit with Bottom .125" Thick Acrylic Lens). (10) Meets IP65 for ingress and water protection</p>

LK2 Accessory Lift Kits (ships as separate line item)

BEHAVIORAL HEALTH / LIGATURE RESISTANT	GENERAL APPLICATION
<p>① Lift kit, Clear Acrylic or Polycarbonate bottom lens</p> <p>XX-LK2/BLACCXXX XX-LK2/BLPCCXXX</p> <p>0.080" clear lens adhered to fixture with repositionable adhesive</p> <p>Luminaire (verify height; may vary based on catalog # configuration) - ships separately</p> <p>AC=Acrylic, 0.080" thick</p> <p>2" [50.80mm]</p> <p>LK2=Lift Kit 2" depth</p> <p>15/16" T-grid or drywall framing kit</p> <p>Bottom Lens: BLACC125=Bottom lens, Clear Acrylic, 0.125" thick BLPCC125=Bottom lens, Clear Polycarbonate, 0.125" thick Adhered to LK2 with very High Bond adhesive</p> <p>Note: XX=14 (1x4), 22 (2x2) or 24 (2x4) Whereas XXX=Lens thickness, 080=0.080" or 125=0.125"</p>	<p>② Lift kit</p> <p>XX-LK2</p> <p>Very High Bond adhesive around the fixture perimeter, adhering the clear polycarbonate lens to the fixture</p> <p>Luminaire (verify height; may vary based on catalog # configuration) - ships separately</p> <p>2" [50.80mm]</p> <p>LK2=Lift Kit 2" depth</p> <p>15/16" T-grid or drywall framing kit</p> <p>Top Lens: PC=Clear Polycarbonate, 0.125" thick</p> <p>Note: XX=14 (1x4), 22 (2x2) or 24 (2x4)</p>

For LK2 lift kit with Premium colors:

Finish								
<p>Architectural Colors</p> <p>TCB=Terra Cotta Brick MRR=Merlot Red PMK=Pumpkin GLD=Goldenrod SGG=Sage Green EVG=Evergreen CBL=Coastal Blue NTB=Night Blue UMB=Ultramarine Blue PPV=Purple Violet NTN=Neutral Tan DBG=Dark Beige CRM=Cream SLG=Silver Grey OLG=Olive Green MHB=Mahogany Brown RALxxxx=RAL Number Color ⁽²⁴⁾</p>								
	Terra Cotta Brick (TCB) RAL 3020	Merlot Red (MRR) RAL 3005	Pumpkin (PMK) RAL 2004	Goldenrod (GLD) RAL 1003	Sage Green (SGG) RAL 6019	Evergreen (EVG) RAL 6001	Coastal Blue (CBL) RAL 5015	Night Blue (NTB) RAL 5022
	Ultramarine Blue (UMB) RAL 5002	Purple Violet (PPV) RAL 4007	Neutral Tan (NTN) RAL 7032	Dark Beige (DBG) RAL 7006	Cream (CRM) RAL 9001	Silver Gray (SLG) RAL 7001	Olive Green (OLG) RAL 6003	Mahogany Brown (MHB) RAL 8016
<p>Notes</p> <p>(24) Replace XXXX with unique 4 digit RAL number. Please contact Fail-Safe Tech for a list of additional finish swatches.</p>								

Examples:
14-LK2/TCB/BLACC080=1' x 4' factory assembled 2" terra cotta brick finished lift kit, IP65 rated
22-LK2/SLG/BLPCC125=2' x 2' factory assembled 2" silver gray finished lift kit, clear .125" thick polycarbonate bottom lens , IP65 rated

Lift kit is an accessory, ordered on a separate line, and ships separately.

Performance - FLR2 Highly Configurable - Make-To-Order

(3500K, 80 CRI)

Size	Lumen Pkg	Lumen Pkg	CCT	CRI	Input Watts	CP080		CP125		CP187		CP250		CP375		CA080		CA125	
						Delivered Lumens	Efficacy lm/W	Delivered Lumens	Efficacy lm/W	Delivered Lumens	Efficacy lm/W	Delivered Lumens	Efficacy lm/W	Delivered Lumens	Efficacy lm/W	Delivered Lumens	Efficacy lm/W	Delivered Lumens	Efficacy lm/W
1x4	2000	2000	3000	80	16.4	1725	105.2	1672	102.0	1649	100.6	1656	101.0	1597	97.4	1767	107.8	1769	107.9
	2000	2000	3500	80	16.4	1708	104.1	1689	103.0	1666	101.6	1673	102.0	1614	98.4	1785	108.9	1787	109.0
	2000	2000	4000	80	16.4	1777	108.3	1740	106.1	1716	104.6	1723	105.1	1662	101.3	1839	112.1	1841	112.2
	2000	2000	5000	80	16.4	1811	110.4	1773	108.1	1749	106.7	1757	107.1	1694	103.3	1874	114.3	1876	114.4
	2000	2000	3000	90	16.4	1432	87.3	1402	85.5	1383	84.3	1389	84.7	1339	81.7	1482	90.3	1483	90.4
	2000	2000	3500	90	16.4	1466	89.4	1436	87.5	1416	86.3	1422	86.7	1372	83.6	1517	92.5	1519	92.6
	2000	2000	4000	90	16.4	1501	91.5	1469	89.6	1449	88.4	1456	88.8	1404	85.6	1553	94.7	1555	94.8
	3000	3000	3000	80	23.9	2520	105.4	2468	103.3	2434	101.9	2445	102.3	2358	98.7	2609	109.1	2611	109.3
	3000	3000	3500	80	23.9	2546	106.5	2493	104.3	2459	102.9	2470	103.3	2382	99.7	2635	110.2	2638	110.4
	3000	3000	4000	80	23.9	2622	109.7	2568	107.4	2533	106.0	2544	106.4	2453	102.6	2714	113.6	2717	113.7
	3000	3000	5000	80	23.9	2673	111.8	2618	109.5	2582	108.0	2593	108.5	2501	104.6	2767	115.8	2770	115.9
	3000	3000	3000	90	23.9	2113	88.4	2069	86.6	2041	85.4	2050	85.8	1977	82.7	2187	91.5	2189	91.6
	3000	3000	3500	90	23.9	2164	90.5	2119	88.7	2090	87.4	2099	87.8	2024	84.7	2240	93.7	2242	93.8
	3000	3000	4000	90	23.9	2215	92.7	2169	90.7	2139	89.5	2149	89.9	2072	86.7	2292	95.9	2295	96.0
	4200	4200	3000	80	31.7	3680	116.1	3603	113.7	3554	112.1	3569	112.6	3442	108.6	3808	120.1	3812	120.3
	4200	4200	3500	80	31.7	3717	117.2	3639	114.8	3590	113.2	3605	113.7	3477	109.7	3847	121.3	3851	121.5
	4200	4200	4000	80	31.7	3828	120.8	3749	118.3	3697	116.6	3714	117.1	3581	113.0	3962	125.0	3966	125.1
	4200	4200	5000	80	31.7	3903	123.1	3821	120.5	3769	118.9	3786	119.4	3651	115.2	4039	127.4	4043	127.6
	4200	4200	3000	90	31.7	3085	97.3	3021	95.3	2979	94.0	2993	94.4	2886	91.0	3193	100.7	3196	100.8
	4200	4200	3500	90	31.7	3159	99.7	3093	97.6	3051	96.3	3065	96.7	2955	93.2	3270	103.1	3273	103.3
4200	4200	4000	90	31.7	3234	102.0	3166	99.9	3123	98.5	3137	99.0	3025	95.4	3347	105.6	3350	105.7	
1x4 HE	2000 HE	2000	3000	80	14.8	1766	119.3	1729	116.8	1706	115.2	1713	115.7	1652	111.6	1828	123.5	1831	123.6
	2000 HE	2000	3500	80	14.8	1784	120.5	1747	118.0	1723	116.4	1730	116.9	1669	112.7	1846	124.7	1849	124.8
	2000 HE	2000	4000	80	14.8	1837	124.1	1799	121.6	1774	119.9	1782	120.4	1719	116.1	1902	128.5	1905	128.6
	2000 HE	2000	5000	80	14.8	1873	126.5	1834	123.9	1809	122.2	1817	122.8	1752	118.4	1938	131.0	1941	131.1
	2000 HE	2000	3000	90	14.8	1481	100.0	1450	98.0	1430	96.6	1436	97.0	1385	93.6	1532	103.5	1535	103.6
	2000 HE	2000	3500	90	14.8	1516	102.4	1485	100.3	1464	98.9	1471	99.4	1418	95.8	1569	106.0	1572	106.1
	2000 HE	2000	4000	90	14.8	1552	104.9	1520	102.7	1499	101.3	1505	101.7	1452	98.1	1606	108.5	1609	108.6
	3000 HE	3000	3000	80	22.4	2653	118.4	2598	116.0	2562	114.4	2574	114.9	2482	110.8	2746	122.6	2749	122.7
	3000 HE	3001	3500	80	22.4	2680	119.6	2624	117.1	2588	115.5	2600	116.1	2507	111.9	2774	123.8	2777	123.9
	3000 HE	3002	4000	80	22.4	2760	123.2	2703	120.7	2666	119.0	2678	119.5	2582	115.3	2857	127.5	2860	127.6
	3000 HE	3003	5000	80	22.4	2814	125.6	2755	123.0	2718	121.3	2730	121.9	2632	117.5	2912	130.0	2915	130.1
	3000 HE	3004	3000	90	22.4	2224	99.3	2178	97.2	2148	95.9	2158	96.3	2081	92.9	2302	102.8	2305	102.9
	3000 HE	3005	3500	90	22.4	2278	101.7	2231	99.6	2200	98.2	2210	98.6	2131	95.1	2358	105.3	2361	105.4
	3000 HE	3006	4000	90	22.4	2332	104.1	2283	101.9	2252	100.5	2262	101.0	2181	97.4	2413	107.7	2416	107.8
	4200 HE	4200	3000	80	31.9	3748	117.5	3670	115.1	3620	113.5	3636	114.0	3506	109.9	3879	121.6	3882	121.7
	4200 HE	4201	3500	80	31.9	3786	118.7	3707	116.2	3657	114.6	3673	115.1	3542	111.0	3919	122.8	3922	122.9
	4200 HE	4202	4000	80	31.9	3900	122.2	3818	119.7	3766	118.1	3783	118.6	3648	114.4	4036	126.5	4039	126.6
	4200 HE	4203	5000	80	31.9	3975	124.6	3893	122.0	3839	120.4	3856	120.9	3719	116.6	4114	129.0	4117	129.1
	4200 HE	4204	3000	90	31.9	3142	98.5	3077	96.5	3035	95.1	3048	95.6	2940	92.2	3252	102.0	3255	102.1
	4200 HE	4205	3500	90	31.9	3218	100.9	3151	98.8	3108	97.4	3122	97.9	3011	94.4	3331	104.4	3334	104.5
	4200 HE	4206	4000	90	31.9	3294	103.3	3225	101.1	3181	99.7	3195	100.2	3081	96.6	3409	106.9	3412	107.0
	7000 HE	7000	3000	80	52.5	5995	114.2	5870	111.8	5790	110.3	5815	110.8	5608	106.8	6205	118.2	6208	118.3
	7000 HE	7001	3500	80	52.5	6055	115.3	5929	112.9	5848	111.4	5874	111.9	5665	107.9	6267	119.4	6270	119.5
	7000 HE	7002	4000	80	52.5	6237	118.8	6107	116.3	6024	114.7	6050	115.2	5835	111.1	6455	123.0	6458	123.1
	7000 HE	7003	5000	80	52.5	6358	121.1	6226	118.6	6141	117.0	6168	117.5	5948	113.3	6581	125.3	6584	125.4
	7000 HE	7004	3000	90	52.5	5026	95.7	4921	93.7	4854	92.5	4876	92.9	4702	89.6	5202	99.1	5205	99.2
	7000 HE	7005	3500	90	52.5	5147	98.0	5040	96.0	4971	94.7	4993	95.1	4815	91.7	5327	101.5	5330	101.6
	7000 HE	7006	4000	90	52.5	5268	100.3	5159	98.3	5088	96.9	5111	97.3	4928	93.9	5453	103.9	5456	104.0
	8000 HE	8000	3000	80	61.9	6911	111.7	6767	109.3	6675	107.8	6704	108.3	6465	104.4	7153	115.6	7156	115.7
	8000 HE	8001	3500	80	61.9	6981	112.8	6836	110.4	6742	108.9	6772	109.4	6531	105.5	7225	116.7	7228	116.8
	8000 HE	8002	4000	80	61.9	7190	116.2	7041	113.7	6945	112.2	6975	112.7	6727	108.7	7442	120.2	7445	120.3
	8000 HE	8003	5000	80	61.9	7330	118.4	7178	116.0	7079	114.4	7111	114.9	6857	110.8	7587	122.6	7590	122.7
8000 HE	8004	3000	90	61.9	5794	93.6	5674	91.7	5596	90.4	5621	90.8	5420	87.6	5997	96.9	6000	97.0	
8000 HE	8005	3500	90	61.9	5934	95.9	5810	93.9	5731	92.6	5756	93.0	5551	89.7	6141	99.2	6144	99.3	
8000 HE	8006	4000	90	61.9	6074	98.1	5947	96.1	5866	94.8	5892	95.2	5682	91.8	6286	101.6	6289	101.7	

Performance - FLR2 Highly Configurable - Make-To-Order

(3500K, 80 CRI)

Size	Lumen Pkg	Lumen Pkg	CCT	CRI	Input Watts	CP080		CP125		CP187		CP250		CP375		CA080		CA125	
						Delivered Lumens	Efficacy lm/W	Delivered Lumens	Efficacy lm/W	Delivered Lumens	Efficacy lm/W	Delivered Lumens	Efficacy lm/W	Delivered Lumens	Efficacy lm/W	Delivered Lumens	Efficacy lm/W	Delivered Lumens	Efficacy lm/W
2x2	2000	2000	3000	80	15.1	1822	120.7	1784	118.2	1760	116.6	1768	117.1	1705	112.9	1886	124.9	7161	474.2
	2000	2000	3500	80	15.1	1841	121.9	1802	119.4	1778	117.7	1786	118.3	1722	114.0	1905	126.2	7233	479.0
	2000	2000	4000	80	15.1	1896	125.6	1857	122.9	1831	121.3	1839	121.8	1774	117.5	1962	130.0	7450	493.4
	2000	2000	5000	80	15.1	1933	128.0	1893	125.3	1867	123.6	1875	124.2	1808	119.7	2000	132.5	7595	503.0
	2000	2000	3000	90	15.1	1528	101.2	1496	99.1	1476	97.7	1482	98.2	1429	94.7	1581	104.7	6003	397.6
	2000	2000	3500	90	15.1	1565	103.6	1532	101.5	1511	100.1	1518	100.5	1464	96.9	1619	107.2	6148	407.2
	2000	2000	4000	90	15.1	1601	106.1	1568	103.9	1547	102.4	1554	102.9	1498	99.2	1657	109.8	6293	416.7
	2500	2500	3000	80	18.9	2265	119.8	2217	117.3	2187	115.7	2197	116.2	2118	112.1	2344	124.0	1888	99.9
	2500	2500	3500	80	18.9	2287	121.0	2240	118.5	2209	116.9	2219	117.4	2140	113.2	2367	125.3	1907	100.9
	2500	2500	4000	80	18.9	2356	124.7	2307	122.1	2275	120.4	2286	120.9	2204	116.6	2438	129.0	1964	103.9
	2500	2500	5000	80	18.9	2402	127.1	2352	124.4	2320	122.7	2330	123.3	2247	118.9	2486	131.5	2003	106.0
	2500	2500	3000	90	18.9	1899	100.5	1859	98.4	1834	97.0	1842	97.4	1776	94.0	1965	104.0	1583	83.8
	2500	2500	3500	90	18.9	1944	102.9	1904	100.7	1878	99.4	1886	99.8	1819	96.2	2012	106.5	1621	85.8
	2500	2500	4000	90	18.9	1990	105.3	1949	103.1	1922	101.7	1931	102.1	1862	98.5	2060	109.0	1659	87.8
	3500	3500	3000	80	27.9	3219	115.4	3152	113.0	3109	111.4	3123	111.9	3012	107.9	3332	119.4	2346	84.1
	3500	3500	3500	80	27.9	3252	116.6	3184	114.1	3141	112.6	3155	113.1	3042	109.0	3366	120.6	2370	84.9
	3500	3500	4000	80	27.9	3350	120.1	3280	117.6	3235	115.9	3249	116.5	3133	112.3	3467	124.3	2441	87.5
	3500	3500	5000	80	27.9	3415	122.4	3344	119.8	3298	118.2	3312	118.7	3194	114.5	3534	126.7	2488	89.2
	3500	3500	3000	90	27.9	2699	96.7	2643	94.7	2607	93.4	2618	93.8	2525	90.5	2794	100.1	1967	70.5
	3500	3500	3500	90	27.9	2764	99.1	2707	97.0	2670	95.7	2681	96.1	2586	92.7	2861	102.5	2014	72.2
	3500	3500	4000	90	27.9	2829	101.4	2770	99.3	2732	97.9	2745	98.4	2647	94.9	2928	105.0	2062	73.9
	4500	4500	3000	80	36.1	3950	109.4	3868	107.2	3815	105.7	3832	106.2	3696	102.4	4089	113.3	3336	92.4
	4500	4500	3500	80	36.1	3990	110.5	3907	108.2	3854	106.8	3871	107.2	3733	103.4	4130	114.4	3369	93.3
	4500	4500	4000	80	36.1	4110	113.9	4025	111.5	3970	110.0	3987	110.4	3845	106.5	4254	117.8	3470	96.1
	4500	4500	5000	80	36.1	4190	116.1	4103	113.6	4047	112.1	4065	112.6	3920	108.6	4336	120.1	3538	98.0
4500	4500	3000	90	36.1	3312	91.7	3243	89.8	3199	88.6	3213	89.0	3098	85.8	3428	95.0	2797	77.5	
4500	4500	3500	90	36.1	3392	94.0	3321	92.0	3276	90.7	3290	91.1	3173	87.9	3510	97.2	2864	79.3	
4500	4500	4000	90	14.8	3472	234.6	3399	229.7	3353	226.5	3368	227.6	3248	219.4	3593	242.8	2931	198.1	
2x2HE	2000 HE	2000	3000	80	14.8	1807	122.1	1770	119.6	1745	117.9	1753	118.5	1691	114.2	1871	126.4	1873	126.5
	2000 HE	2000	3500	80	14.8	1826	123.3	1788	120.8	1763	119.1	1771	119.7	1708	115.4	1889	127.7	1891	127.8
	2000 HE	2000	4000	80	14.8	1880	127.0	1841	124.4	1816	122.7	1824	123.2	1759	118.9	1946	131.5	1948	131.6
	2000 HE	2000	5000	80	14.8	1917	129.5	1877	126.8	1851	125.1	1859	125.6	1793	121.2	1984	134.0	1986	134.2
	2000 HE	2000	3000	90	14.8	1515	102.4	1484	100.2	1463	98.9	1470	99.3	1417	95.8	1568	106.0	1570	106.1
	2000 HE	2000	3500	90	14.8	1552	104.8	1519	102.7	1499	101.3	1505	101.7	1452	98.1	1606	108.5	1608	108.6
	2000 HE	2000	4000	90	14.8	1588	107.3	1555	105.1	1534	103.6	1541	104.1	1486	100.4	1644	111.1	1646	111.2
	2500 HE	2500	3000	80	19.2	2320	120.8	2272	118.3	2241	116.7	2251	117.2	2170	113.0	2401	125.1	2404	125.2
	2500 HE	2500	3500	80	19.2	2343	122.1	2295	119.5	2263	117.9	2273	118.4	2192	114.2	2425	126.3	2428	126.5
	2500 HE	2500	4000	80	19.2	2414	125.7	2364	123.1	2331	121.4	2342	122.0	2258	117.6	2498	130.1	2501	130.3
	2500 HE	2500	5000	80	19.2	2461	128.2	2409	125.5	2376	123.8	2387	124.3	2302	119.9	2547	132.6	2549	132.8
	2500 HE	2500	3000	90	19.2	1945	101.3	1905	99.2	1879	97.8	1887	98.3	1820	94.8	2013	104.9	2015	105.0
	2500 HE	2500	3500	90	19.2	1992	103.7	1951	101.6	1924	100.2	1932	100.6	1863	97.1	2062	107.4	2064	107.5
	2500 HE	2500	4000	90	19.2	2039	106.2	1996	104.0	1969	102.6	1978	103.0	1907	99.3	2110	109.9	2112	110.0
	3500 HE	3500	3000	80	27.2	3244	119.3	3176	116.8	3133	115.2	3147	115.7	3035	111.6	3357	123.4	3361	123.6
	3500 HE	3500	3500	80	27.2	3277	120.5	3209	118.0	3165	116.3	3179	116.9	3065	112.7	3391	124.7	3395	124.8
	3500 HE	3500	4000	80	27.2	3375	124.1	3305	121.5	3260	119.8	3274	120.4	3157	116.1	3493	128.4	3497	128.6
	3500 HE	3500	5000	80	27.2	3441	126.5	3369	123.9	3323	122.2	3338	122.7	3219	118.3	3561	130.9	3565	131.1
	3500 HE	3500	3000	90	27.2	2720	100.0	2663	97.9	2627	96.6	2638	97.0	2544	93.5	2815	103.5	2818	103.6
	3500 HE	3500	3500	90	27.2	2785	102.4	2727	100.3	2690	98.9	2702	99.3	2606	95.8	2883	106.0	2886	106.1
	3500 HE	3500	4000	90	27.2	2851	104.8	2791	102.6	2753	101.2	2765	101.7	2667	98.0	2950	108.5	2954	108.6
	4500 HE	4500	3000	80	36.2	4152	114.7	4065	112.3	4010	110.8	4028	111.3	3884	107.3	4297	118.7	4302	118.8
	4500 HE	4500	3500	80	36.2	4194	115.8	4106	113.4	4050	111.9	4068	112.4	3923	108.4	4340	119.9	4345	120.0
	4500 HE	4500	4000	80	36.2	4320	119.3	4230	116.8	4172	115.2	4190	115.8	4041	111.6	4471	123.5	4475	123.6
	4500 HE	4500	5000	80	36.2	4403	121.6	4312	119.1	4253	117.5	4272	118.0	4119	113.8	4557	125.9	4562	126.0
	4500 HE	4500	3000	90	36.2	3481	96.2	3408	94.2	3362	92.9	3377	93.3	3256	90.0	3603	99.5	3606	99.6
	4500 HE	4500	3500	90	36.2	3565	98.5	3491	96.4	3443	95.1	3458	95.5	3335	92.1	3689	101.9	3693	102.0
	4500 HE	4500	4000	90	36.2	3649	100.8	3573	98.7	3524	97.3	3539	97.8	3413	94.3	3776	104.3	3780	104.4
	5000 HE	5000	3000	80	40.0	4572	114.3	4477	111.9	4416	110.4	4436	110.9	4277	106.9	4732	118.3	4737	118.4
	5000 HE	5000	3500	80	40.0	4619	115.5	4522	113.1	4461	111.5	4480	112.0	4321	108.0	4780	119.5	4785	119.6
	5000 HE	5000	4000	80	40.0	4757	118.9	4658	116.5	4594	114.9	4615	115.4	4450	111.3	4924	123.1	4929	123.2
	5000 HE	5000	5000	80	40.0	4849	121.2	4749	118.7	4684	117.1	4704	117.6	4537	113.4	5019	125.5	5025	125.6
	5000 HE	5000	3000	90	40.0	3833	95.8	3754	93.8	3702	92.6	3719	93.0	3586	89.7	3967	99.2	3972	99.3
	5000 HE	5000	3500	90	40.0	3926	98.1	3844	96.1	3791	94.8	3808	95.2	3672	91.8	4063	101.6	4067	101.7
	5000 HE	5000	4000	90	40.0	4018	100.5	3935	98.4	3881	97.0	3898	97.4	3759	94.0	4159	104.0	4163	104.1
	6000 HE	6000	3000	80	47.4	5361	113.1	5249	110.7	5177	109.2	5200	109.7	5015	105.8	5548	117.1	5554	117.2
6000 HE	6000	3500	80	47.4	5415	114.2	5302	111.9	5230	110.3	5253	110.8	5066	106.9	5604	118.2	5610	118.4	
6000 HE	6000	4000	80	47.4	5577	117.7	5461	115.2	538										

Performance - FLR2 Highly Configurable - Make-To-Order

(3500K, 80 CRI)

Size	Lumen Pkg	Lumen Pkg	CCT	CRI	Input Watts	CP080		CP125		CP187		CP250		CP375		CA080		CA125	
						Delivered Lumens	Efficacy lm/W	Delivered Lumens	Efficacy lm/W	Delivered Lumens	Efficacy lm/W	Delivered Lumens	Efficacy lm/W	Delivered Lumens	Efficacy lm/W	Delivered Lumens	Efficacy lm/W	Delivered Lumens	Efficacy lm/W
2X4	2000	2000	3000	80	16.7	2049	122.7	2006	120.1	1979	118.5	1988	119.0	1917	114.8	2121	127.0	2123	127.1
	2000	2000	3500	80	16.7	2070	123.9	2027	121.4	1999	119.7	2008	120.2	1936	115.9	2142	128.3	2145	128.4
	2000	2000	4000	80	16.7	2132	127.7	2088	125.0	2059	123.3	2068	123.8	1994	119.4	2206	132.1	2209	132.3
	2000	2000	5000	80	16.7	2173	130.1	2128	127.4	2099	125.7	2108	126.2	2033	121.7	2249	134.7	2252	134.8
	2000	2000	3000	90	16.7	1718	102.9	1682	100.7	1659	99.4	1667	99.8	1607	96.2	1778	106.5	1780	106.6
	2000	2000	3500	90	16.7	1759	105.3	1723	103.2	1699	101.7	1707	102.2	1646	98.6	1821	109.0	1823	109.2
	2000	2000	4000	90	16.7	1801	107.8	1763	105.6	1739	104.1	1747	104.6	1685	100.9	1864	111.6	1866	111.7
	3000	3000	3000	80	23.7	2878	121.4	2818	118.9	2780	117.3	2792	117.8	2692	113.6	2979	125.7	2982	125.8
	3000	3000	3500	80	23.7	2907	122.7	2847	120.1	2808	118.5	2820	119.0	2719	114.7	3009	127.0	3012	127.1
	3000	3000	4000	80	23.7	2994	126.3	2932	123.7	2892	122.0	2905	122.6	2801	118.2	3099	130.8	3102	130.9
	3000	3000	5000	80	23.7	3052	128.8	2989	126.1	2948	124.4	2961	124.9	2855	120.5	3159	133.3	3163	133.4
	3000	3000	3000	90	23.7	2413	101.8	2363	99.7	2330	98.3	2341	98.8	2257	95.2	2497	105.4	2500	105.5
	3000	3000	3500	90	23.7	2471	104.3	2420	102.1	2386	100.7	2397	101.1	2312	97.5	2557	107.9	2560	108.0
	3000	3000	4000	90	23.7	2529	106.7	2476	104.5	2443	103.1	2453	103.5	2366	99.8	2618	110.4	2620	110.6
	3500	3500	3000	80	28.4	3436	121.0	3364	118.5	3318	116.8	3333	117.4	2692	94.8	3556	125.2	3560	125.3
	3500	3500	3500	80	28.4	3471	122.2	3398	119.7	3352	118.0	3367	118.5	2719	95.8	3592	126.5	3596	126.6
	3500	3500	4000	80	28.4	3575	125.9	3500	123.2	3452	121.6	3468	122.1	2801	98.6	3700	130.3	3704	130.4
	3500	3500	5000	80	28.4	3644	128.3	3568	125.6	3519	123.9	3535	124.5	2855	100.5	3772	132.8	3776	132.9
	3500	3500	3000	90	28.4	2881	101.4	2821	99.3	2782	98.0	2794	98.4	2257	79.5	2981	105.0	2985	105.1
	3500	3500	3500	90	28.4	2950	103.9	2889	101.7	2849	100.3	2862	100.8	2312	81.4	3053	107.5	3056	107.6
	3500	3500	4000	90	28.4	3019	106.3	2957	104.1	2916	102.7	2929	103.1	2366	83.3	3125	110.0	3128	110.2
	4000	4000	3000	80	30.3	3680	121.4	3603	118.9	3554	117.3	3569	117.8	3442	113.6	3808	125.7	3812	125.8
	4000	4000	3500	80	30.3	3717	122.7	3639	120.1	3590	118.5	3605	119.0	3477	114.7	3847	127.0	3851	127.1
	4000	4000	4000	80	30.3	3828	126.3	3749	123.7	3697	122.0	3714	122.6	3581	118.2	3962	130.8	3966	130.9
	4000	4000	5000	80	30.3	3903	128.8	3821	126.1	3769	124.4	3786	124.9	3651	120.5	4039	133.3	4043	133.4
	4000	4000	3000	90	30.3	3085	101.8	3021	99.7	2979	98.3	2993	98.8	2886	95.2	3193	105.4	3196	105.5
	4000	4000	3500	90	30.3	3159	104.3	3093	102.1	3051	100.7	3065	101.1	2955	97.5	3270	107.9	3273	108.0
	4000	4000	4000	90	30.3	3234	106.7	3166	104.5	3123	103.1	3137	103.5	3025	99.8	3347	110.5	3350	110.6
	4500	4500	3000	80	35.6	4268	119.9	4180	117.4	4122	115.8	4141	116.3	3993	112.2	4418	124.1	4423	124.2
	4500	4500	3500	80	35.6	4312	121.1	4222	118.6	4164	117.0	4183	117.5	4033	113.3	4462	125.3	4467	125.5
	4500	4500	4000	80	35.6	4441	124.7	4349	122.1	4289	120.5	4308	121.0	4154	116.7	4596	129.1	4601	129.2
	4500	4500	5000	80	35.6	4527	127.2	4433	124.5	4372	122.8	4392	123.4	4235	119.0	4686	131.6	4691	131.8
	4500	4500	3000	90	35.6	3579	100.5	3504	98.4	3456	97.1	3472	97.5	3348	94.0	3704	104.0	3708	104.2
	4500	4500	3500	90	35.6	3665	102.9	3589	100.8	3540	99.4	3555	99.9	3428	96.3	3793	106.5	3797	106.7
	4500	4500	4000	90	35.6	3751	105.4	3673	103.2	3623	101.8	3639	102.2	3509	98.6	3882	109.1	3886	109.2
	5500	5500	3000	80	44.1	5092	115.5	4986	113.1	4918	111.5	4939	112.0	4763	108.0	5270	119.5	5275	119.6
	5500	5500	3500	80	44.1	5143	116.6	5036	114.2	4967	112.6	4989	113.1	4811	109.1	5323	120.7	5329	120.8
	5500	5500	4000	80	44.1	5297	120.1	5187	117.6	5116	116.0	5139	116.5	4956	112.4	5483	124.3	5489	124.5
	5500	5500	5000	80	44.1	5400	122.5	5288	119.9	5216	118.3	5239	118.8	5052	114.6	5589	126.7	5595	126.9
	5500	5500	3000	90	44.1	4269	96.8	4180	94.8	4123	93.5	4141	93.9	3993	90.6	4418	100.2	4423	100.3
5500	5500	3500	90	44.1	4372	99.1	4281	97.1	4222	95.7	4241	96.2	4090	92.7	4525	102.6	4529	102.7	
5500	5500	4000	90	44.1	4475	101.5	4381	99.4	4321	98.0	4341	98.4	4186	94.9	4631	105.0	4636	105.1	
6500	6500	3000	80	53.4	6065	113.6	5939	111.2	5858	109.7	5884	110.2	5674	106.3	6278	117.6	6284	117.7	
6500	6500	3500	80	53.4	6127	114.7	5999	112.3	5917	110.8	5943	111.3	5731	107.3	6341	118.7	6348	118.9	
6500	6500	4000	80	53.4	6311	118.2	6179	115.7	6095	114.1	6122	114.6	5903	110.5	6531	122.3	6538	122.4	
6500	6500	5000	80	53.4	6433	120.5	6299	118.0	6213	116.3	6241	116.9	6018	112.7	6658	124.7	6665	124.8	
6500	6500	3000	90	53.4	5085	95.2	4979	93.2	4911	92.0	4933	92.4	4757	89.1	5263	98.6	5269	98.7	
6500	6500	3500	90	53.4	5208	97.5	5099	95.5	5030	94.2	5052	94.6	4872	91.2	5390	100.9	5396	101.0	
6500	6500	4000	90	53.4	5330	99.8	5219	97.7	5148	96.4	5171	96.8	4986	93.4	5517	103.3	5523	103.4	
7200	7200	3000	80	60.9	6809	111.8	6667	109.5	6576	108.0	6605	108.5	6369	104.6	7047	115.7	7054	115.8	
7200	7200	3500	80	60.9	6877	112.9	6734	110.6	6642	109.1	6672	109.6	6434	105.6	7118	116.9	7126	117.0	
7200	7200	4000	80	60.9	7084	116.3	6936	113.9	6841	112.3	6872	112.8	6627	108.8	7332	120.4	7339	120.5	
7200	7200	5000	80	60.9	7221	118.6	7071	116.1	6974	114.5	7005	115.0	6755	110.9	7474	122.7	7482	122.9	
7200	7200	3000	90	60.9	5708	93.7	5589	91.8	5513	90.5	5537	90.9	5340	87.7	5908	97.0	5914	97.1	
7200	7200	3500	90	60.9	5846	96.0	5724	94.0	5646	92.7	5671	93.1	5469	89.8	6050	99.3	6057	99.5	
7200	7200	4000	90	60.9	5983	98.2	5859	96.2	5779	94.9	5804	95.3	5597	91.9	6193	101.7	6199	101.8	

Performance - FLR2 Highly Configurable - Make-To-Order

(3500K, 80 CRI)

Size	Lumen Pkg	Lumen Pkg	CCT	CRI	Input Watts	CP080		CP125		CP187		CP250		CP375		CA080		CA125	
						Delivered Lumens	Efficacy lm/W	Delivered Lumens	Efficacy lm/W	Delivered Lumens	Efficacy lm/W	Delivered Lumens	Efficacy lm/W	Delivered Lumens	Efficacy lm/W	Delivered Lumens	Efficacy lm/W	Delivered Lumens	Efficacy lm/W
2X4HE	2000 HE	2000	3000	80	14.9	1865	125.1	1826	122.5	1801	120.9	1809	121.4	1744	117.1	1930	129.5	1932	129.7
	2000 HE	2000	3500	80	14.9	1884	126.4	1844	123.8	1819	122.1	1827	122.6	1762	118.3	1949	130.8	1952	131.0
	2000 HE	2000	4000	80	14.9	1940	130.2	1900	127.5	1874	125.8	1882	126.3	1815	121.8	2008	134.8	2010	134.9
	2000 HE	2000	5000	80	14.9	1978	132.7	1937	130.0	1910	128.2	1919	128.8	1850	124.2	2047	137.4	2049	137.5
	2000 HE	2000	3000	90	14.9	1563	104.9	1531	102.7	1510	101.3	1517	101.8	1462	98.2	1618	108.6	1620	108.7
	2000 HE	2000	3500	90	14.9	1601	107.4	1568	105.2	1546	103.8	1553	104.2	1498	100.5	1657	111.2	1659	111.3
	2000 HE	2000	4000	90	14.9	1639	110.0	1605	107.7	1583	106.2	1590	106.7	1533	102.9	1696	113.8	1698	113.9
	3000 HE	3000	3000	80	21.9	2743	125.3	2686	122.7	2650	121.0	2661	121.5	2566	117.2	2839	129.7	2842	129.8
	3000 HE	3000	3500	80	21.9	2771	126.5	2713	123.9	2676	122.2	2688	122.7	2592	118.4	2868	131.0	2871	131.1
	3000 HE	3000	4000	80	21.9	2854	130.3	2795	127.6	2757	125.9	2769	126.4	2670	121.9	2954	134.9	2957	135.0
	3000 HE	3000	5000	80	21.9	2910	132.9	2849	130.1	2810	128.3	2823	128.9	2722	124.3	3011	137.5	3015	137.7
	3000 HE	3000	3000	90	21.9	2300	105.0	2252	102.8	2221	101.4	2231	101.9	2152	98.2	2380	108.7	2383	108.8
	3000 HE	3000	3500	90	21.9	2355	107.6	2306	105.3	2275	103.9	2285	104.3	2203	100.6	2438	111.3	2440	111.4
	3000 HE	3000	4000	90	21.9	2411	110.1	2361	107.8	2328	106.3	2339	106.8	2255	103.0	2495	113.9	2498	114.1
	3500 HE	3500	3000	80	25.6	3195	124.8	3129	122.2	3086	120.5	3099	121.1	2989	116.8	3307	129.2	3310	129.3
	3500 HE	3500	3500	80	25.6	3227	126.1	3160	123.4	3117	121.8	3131	122.3	3019	117.9	3340	130.5	3344	130.6
	3500 HE	3500	4000	80	25.6	3324	129.8	3255	127.1	3210	125.4	3225	126.0	3110	121.5	3440	134.4	3444	134.5
	3500 HE	3500	5000	80	25.6	3389	132.4	3318	129.6	3273	127.8	3287	128.4	3170	123.8	3507	137.0	3511	137.1
	3500 HE	3500	3000	90	25.6	2679	104.6	2623	102.5	2587	101.1	2598	101.5	2506	97.9	2772	108.3	2775	108.4
	3500 HE	3500	3500	90	25.6	2743	107.2	2686	104.9	2649	103.5	2661	103.9	2566	100.2	2839	110.9	2842	111.0
	3500 HE	3500	4000	90	25.6	2808	109.7	2749	107.4	2712	105.9	2724	106.4	2627	102.6	2906	113.5	2909	113.6
	4000 HE	4000	3000	80	29.9	3720	124.4	3643	121.8	3593	120.2	3609	120.7	3480	116.4	3850	128.8	3854	128.9
	4000 HE	4000	3500	80	29.9	3758	125.7	3679	123.1	3629	121.4	3645	121.9	3515	117.6	3889	130.1	3893	130.2
	4000 HE	4000	4000	80	29.9	3870	129.4	3790	126.7	3738	125.0	3754	125.6	3621	121.1	4006	134.0	4010	134.1
	4000 HE	4000	5000	80	29.9	3945	132.0	3863	129.2	3810	127.4	3827	128.0	3691	123.4	4083	136.6	4088	136.7
	4000 HE	4000	3000	90	29.9	3119	104.3	3054	102.1	3012	100.7	3025	101.2	2918	97.6	3228	108.0	3231	108.1
	4000 HE	4000	3500	90	29.9	3194	106.8	3127	104.6	3085	103.2	3098	103.6	2988	99.9	3306	110.6	3309	110.7
	4000 HE	4000	4000	90	29.9	3269	109.3	3201	107.1	3157	105.6	3171	106.1	3058	102.3	3383	113.2	3387	113.3
	4500 HE	4500	3000	80	34.7	4281	123.4	4192	120.8	4134	119.1	4153	119.7	4005	115.4	4430	127.7	4435	127.8
	4500 HE	4500	3500	80	34.7	4324	124.6	4234	122.0	4176	120.3	4195	120.9	4045	116.6	4475	129.0	4480	129.1
	4500 HE	4500	4000	80	34.7	4454	128.3	4361	125.7	4301	124.0	4320	124.5	4166	120.1	4609	132.8	4614	133.0
	4500 HE	4500	5000	80	34.7	4450	130.8	4446	128.1	4385	126.4	4404	126.9	4247	122.4	4699	135.4	4704	135.6
	4500 HE	4500	3000	90	34.7	3589	103.4	3514	101.3	3466	99.9	3481	100.3	3357	96.8	3714	107.0	3718	107.2
	4500 HE	4500	3500	90	34.7	3675	105.9	3599	103.7	3550	102.3	3565	102.7	3438	99.1	3804	109.6	3808	109.7
	4500 HE	4500	4000	90	34.7	3762	108.4	3684	106.2	3633	104.7	3649	105.2	3519	101.4	3893	112.2	3898	112.3
	5500 HE	5500	3000	80	41.3	5058	122.5	4953	119.9	4885	118.3	4906	118.8	4732	114.6	5235	126.7	5240	126.9
	5500 HE	5500	3500	80	41.3	5109	123.7	5003	121.1	4934	119.5	4956	120.0	4779	115.7	5288	128.0	5293	128.2
	5500 HE	5500	4000	80	41.3	5262	127.4	5153	124.8	5082	123.1	5105	123.6	4923	119.2	5446	131.9	5452	132.0
	5500 HE	5500	5000	80	41.3	5364	129.9	5253	127.2	5181	125.4	5204	126.0	5018	121.5	5552	134.4	5558	134.6
	5500 HE	5500	3000	90	41.3	4240	102.7	4152	100.5	4095	99.2	4114	99.6	3967	96.0	4389	106.3	4393	106.4
5500 HE	5500	3500	90	41.3	4343	105.1	4252	103.0	4194	101.6	4213	102.0	4062	98.4	4494	108.8	4499	108.9	
5500 HE	5500	4000	90	41.3	4445	107.6	4352	105.4	4293	103.9	4312	104.4	4158	100.7	4600	111.4	4605	111.5	
6500 HE	6500	3000	80	49.9	6069	121.6	5943	119.1	5862	117.5	5888	118.0	5678	113.8	6282	125.9	6288	126.0	
6500 HE	6500	3500	80	49.9	6131	122.9	6003	120.3	5921	118.7	5947	119.2	5735	114.9	6345	127.2	6352	127.3	
6500 HE	6500	4000	80	49.9	6314	126.5	6183	123.9	6098	122.2	6125	122.8	5907	118.4	6535	131.0	6542	131.1	
6500 HE	6500	5000	80	49.9	6437	129.0	6303	126.3	6217	124.6	6244	125.1	6022	120.7	6662	133.5	6669	133.7	
6500 HE	6500	3000	90	49.9	5088	102.0	4982	99.8	4914	98.5	4936	98.9	4760	95.4	5266	105.5	5272	105.7	
6500 HE	6500	3500	90	49.9	5211	104.4	5102	102.3	5033	100.9	5055	101.3	4875	97.7	5393	108.1	5399	108.2	
6500 HE	6500	4000	90	49.9	5334	106.9	5223	104.7	5151	103.2	5174	103.7	4989	100.0	5520	110.6	5526	110.7	
7200 HE	7200	3000	80	53.6	6398	119.4	6265	116.9	6180	115.3	6207	115.8	5986	111.7	6622	123.6	6629	123.7	
7200 HE	7200	3500	80	53.6	6463	120.6	6329	118.1	6242	116.5	6270	117.0	6046	112.8	6689	124.8	6696	124.9	
7200 HE	7200	4000	80	53.6	6657	124.2	6518	121.6	6429	120.0	6458	120.5	6228	116.2	6890	128.5	6897	128.7	
7200 HE	7200	5000	80	53.6	6786	126.6	6645	124.0	6554	122.3	6583	122.8	6348	118.4	7024	131.0	7031	131.2	
7200 HE	7200	3000	90	53.6	5364	100.1	5253	98.0	5181	96.7	5204	97.1	5018	93.6	5552	103.6	5558	103.7	
7200 HE	7200	3500	90	53.6	5494	102.5	5379	100.4	5306	99.0	5329	99.4	5139	95.9	5686	106.1	5692	106.2	
7200 HE	7200	4000	90	53.6	5623	104.9	5506	102.7	5431	101.3	5455	101.8	5260	98.1	5820	108.6	5826	108.7	
8000 HE	8000	3000	80	63.5	7507	118.2	7351	115.8	7250	114.2	7282	114.7	7022	110.6	7769	122.4	7778	122.5	
8000 HE	8000	3500	80	63.5	7583	119.4	7425	116.9	7323	115.3	7356	115.8	7093	111.7	7848	123.6	7856	123.7	
8000 HE	8000	4000	80	63.5	7810	123.0	7648	120.4	7543	118.8	7576	119.3	7306	115.1	8083	127.3	8092	127.4	
8000 HE	8000	5000	80	63.5	7962	125.4	7796	122.8	7689	121.1	7723	121.6	7448	117.3	8240	129.8	8249	129.9	
8000 HE	8000	3000	90	63.5	6294	99.1	6163	97.0	6078	95.7	6105	96.1	5888	92.7	6514	102.6	6521	102.7	
8000 HE	8000	3500	90	63.5	6445	101.5	6311	99.4	6225	98.0	6252	98.5	6029	95.0	6671	105.0	6678	105.2	
8000 HE	8000	4000	90	63.5	6597	103.9	6460	101.7	6371	100.3	6399	100.8	6171	97.2	6828	107.5	6835	107.6	

Performance - FLR2 Highly Configurable - Make-To-Order

(3500K, 80 CRI)

Size	Lumen Pkg	Lumen Pkg	CCT	CRI	Input Watts	CP080		CP125		CP187		CP250		CP375		CA080		CA125	
						Delivered Lumens	Efficacy lm/W	Delivered Lumens	Efficacy lm/W	Delivered Lumens	Efficacy lm/W	Delivered Lumens	Efficacy lm/W	Delivered Lumens	Efficacy lm/W	Delivered Lumens	Efficacy lm/W	Delivered Lumens	Efficacy lm/W
2x4HE	9000 HE	9000	3000	80	70.3	8264	117.6	8092	115.1	7981	113.5	8017	114.0	7731	110.0	8553	121.7	8562	121.8
	9000 HE	9000	3500	80	70.3	8348	118.7	8174	116.3	8062	114.7	8098	115.2	7809	111.1	8640	122.9	8649	123.0
	9000 HE	9000	4000	80	70.3	8598	122.3	8419	119.8	8304	118.1	8341	118.6	8043	114.4	8899	126.6	8908	126.7
	9000 HE	9000	5000	80	70.3	8765	124.7	8583	122.1	8465	120.4	8503	120.9	8199	116.6	9072	129.0	9081	129.2
	9000 HE	9000	3000	90	70.3	6929	98.6	6784	96.5	6692	95.2	6721	95.6	6481	92.2	7171	102.0	7179	102.1
	9000 HE	9000	3500	90	70.3	7095	100.9	6948	98.8	6853	97.5	6883	97.9	6638	94.4	7344	104.5	7352	104.6
	9000 HE	9000	4000	90	70.3	7262	103.3	7111	101.2	7014	99.8	7045	100.2	6794	96.6	7516	106.9	7525	107.0
	10000 HE	10000	3000	80	82.6	9595	116.2	9396	113.7	9267	112.2	9308	112.7	8976	108.7	9931	120.2	9942	120.4
	10000 HE	10000	3500	80	82.6	9692	117.3	9491	114.9	9361	113.3	9402	113.8	9067	109.8	10031	121.4	10042	121.6
	10000 HE	10000	4000	80	82.6	9983	120.9	9775	118.3	9642	116.7	9684	117.2	9339	113.1	10332	125.1	10343	125.2
	10000 HE	10000	5000	80	82.6	10177	123.2	9965	120.6	9829	119.0	9872	119.5	9520	115.3	10533	127.5	10544	127.7
	10000 HE	10000	3000	90	82.6	8045	97.4	7877	95.4	7769	94.1	7804	94.5	7526	91.1	8326	100.8	8335	100.9
	10000 HE	10000	3500	90	82.6	8238	99.7	8067	97.7	7957	96.3	7992	96.8	7707	93.3	8527	103.2	8536	103.3
	10000 HE	10000	4000	90	82.6	8432	102.1	8257	100.0	8144	98.6	8180	99.0	7888	95.5	8727	105.7	8737	105.8

Lumen Adjustment Factors

CCT Multiplier	80 CRI	90 CRI ⁽²⁾
3000K	0.99	0.83
3500K	1.00	0.85
4000K	1.03	n/a
5000K	1.05	0.89

Notes: (2) 90 CRI only available in HE lumen outputs.

Example of Lumen Adjustment Calculation

24CGTX-45-L850
at 5000K

Lumen Adjustment Factor = 1.05

Total Light Output =

4,537 lm x 1.05 = 4,764 lm

Efficacy = $\frac{4,764 \text{ lm}}{35.6 \text{ W}} = 133 \text{ lm/W}$

Lumen Maintenance

TM-21 Lumen Maintenance (60,000 hours) ⁽³⁾	Theoretical L70 (Hours) ⁽⁴⁾
> 86%	> 120,000

Notes: (3) Supported by IES TM-21 standards. (4) Theoretical values represent estimations commonly used; however, refer to the IES position on LED Product Lifetime Prediction, IES PS-10-18, that explains proper use of IES TM-21 and LM-80.

Performance - FLR Minimally Configurable - Selectable

Size	Catalog Fail-Safe	Watts	CA08	LPW	CA125	LPW	CP125	LPW	CP187	LPW
2x2 Selectable	FLR-XX-22-L3C3 (LOW)-35	22.0	2675	115	2531	122	2678	122	2496	113
	FLR-XX-22-L3C3 (LOW)-40	21.3	2780	123	2630	130	2783	131	2594	122
	FLR-XX-22-L3C3 (LOW)-50	21.9	2724	118	2578	124	2727	125	2542	116
	FLR-XX-22-L3C3 (MED)-35	30.2	3620	113	3425	120	3624	120	3378	112
	FLR-XX-22-L3C3 (MED)-40	28.9	3826	125	3620	132	3830	133	3570	124
	FLR-XX-22-L3C3 (MED)-50	30.1	3686	116	3488	122	3690	123	3440	114
	FLR-XX-22-L3C3 (HI)-35	40.6	4623	108	4374	114	4628	114	4314	106
	FLR-XX-22-L3C3 (HI)-40	38.5	4980	122	4711	129	4985	129	4647	121
	FLR-XX-22-L3C3 (HI)-50	40.5	4729	110	4474	117	4734	117	4413	109
2x4 Selectable	FLR-XX-24-L3C3 (LOW)-35	27.8	3541	121	3350	127	3545	128	3304	119
	FLR-XX-24-L3C3 (LOW)-40	27.1	3649	127	3452	135	3653	135	3405	126
	FLR-XX-24-L3C3 (LOW)-50	27.8	3591	122	3397	129	3595	129	3351	121
	FLR-XX-24-L3C3 (MED)-35	39.7	4934	118	4668	124	4939	124	4604	116
	FLR-XX-24-L3C3 (MED)-40	38.5	5155	127	4877	134	5160	134	4810	125
	FLR-XX-24-L3C3 (MED)-50	39.7	4997	119	4728	126	5003	126	4663	117
	FLR-XX-24-L3C3 (HI)-35	52.8	6320	113	5980	120	6327	120	5898	112
	FLR-XX-24-L3C3 (HI)-40	50.7	6804	127	6437	134	6812	134	6349	125
	FLR-XX-24-L3C3 (HI)-50	52.8	6539	117	6186	124	6546	124	6102	116

Product Specifications

Construction

- Robust die-formed steel back plate to ensure durability
- Housing is absent of holes to resist debris/bug intrusion
- Aluminum frame weld and ground for a seamless appearance

Mounting

- Integral grid/EQ clips provided and include suspension / wire retention features
- Grid clip includes fold up hang points. Use FPSUS2-ML or other desired suspension methods for direct suspension
- Large junction box constructed of code gauge galvanized steel with access plate
- Multiple 7/8" KO's provided, suitable for up to 12AWG wiring
- Surface kits available
- Factory installed MWS fixture fitting or flexible conduit available to reduce installation time
- FPSUS2-ML is a 2-point suspension kit includes aircraft cable, carabiner, ceiling connection, SO cord, cord connectors, round 4" J-box cover and #8 sheet metal screws

Controls

- 0-10V dimming to 10% standard, 1% dimming available
- DALI 2.0, Lutron, and step-dimming available

Electrical

- TM21 life at 60,000 hours up to L86 and calculated L70 exceeds 120,000 hrs
- Driver rated for FCC part 15 Class B for use in residential or commercial applications
- LED's available in 3000K, 3500K, 4000K, or 5000K at 80 CRI or 90 CRI minimum
- Color accuracy \leq 3-Step MacAdam ellipse (SDCM)
- Integral emergency battery pack options available in 7W, 10W, and 14W. Remote test switch. Self-diagnostic options available
- Emergency/generator transfer options available
- Drivers available in 120-277V; 0-10V drivers also available in 347V

Optical Shielding

- Micro-optics enable uniform distribution of the LEDs for uniform lens illumination
- Frosted smooth lens provides uniform illumination across the entire lens
- Durable lens with surface texture to minimize scratch and impact damage
- Clear outer acrylic or polycarbonate lens for ingress protection

Compliance

- cULus listed for 25°C ambient environments, indoor applications
- IC rated for direct insulation contact
- UL wet location under covered ceiling
- IP5X rated from the room side with no modification needed

- Tested to IESNA LM-79 and LM-80
- Stated life per TM21 standards
- Suitable for State of California Title 24 high efficacy luminaire
- FCC part 15 class B (residential) compliant with standard 10% dimming driver; battery packs excluded
- Fixture is rated for NSF/ANSI standard 2 - Light fixture for Splash Zone and Non-Food Zone
- Tested for ISO 5 compliance. ISO3 and ISO4 environments typically employ uni-directional vertical air-flow and a ventilated raised floor to remove airborne particles. Not uncommon for the entire ceiling to be either HEPA or ULPA filters. Filtered air is continually directed downward, passing through the ventilated raised floor, and recirculated – to remove more of the airborne particles than are created. Often, laminar-flow surface mount luminaires are used to illuminate the space. With proper air flow and air exchanges, proper installation, this non-shedding luminaire is acceptable for use in ISO3-9 environments.
- Meets BSL 1-4 when specified in catalog logic.

Warranty

- Five year limited warranty
- Extended limited warranty to 10 years available

Surface Mounting Options

Catalog No.	Description	UPC	Kit Height
CGTSURF24	2x4 CGT Surface Mount Kit	080083083107	3-7/8"
CGTSURF22	2x2 CGT Surface Mount Kit	080083083121	3-7/8"
CGTSURF14	1x4 CGT Surface Mount Kit	080083083145	3-7/8"
SK-24-WS	2x4 SK Surface Mount Kit, Shallow	080083719389	5-1/16"
SK-22-WS	2x2 SK Surface Mount Kit, Shallow	080083719402	5-1/16"
SK-14-WT	1x4 SK Surface Mount Kit, Tall	080083906703	6-1/4"

Note: Cannot be used with EL10W, EL10WSD, GTRD, 100HE lumen output, MWS, or 347V with alternative driver. Metalux Universal Surface Mount kits are compatible with these configurations – see #SK-24, #SK-22, and #SK-14).

[Metalux Universal Surface Mount](#)

Drywall Frame Kit

Catalog No.	Description	UPC
DF-24W-U	2x4 dry wall frame kit	662401232970
DF-22W-U	2x2 dry wall frame kit	662401232963
DF-14W-U	1x4 dry wall frame kit	662401232949

Surface Mount Kit

Size	Width	Length
1x4	12-5/8"	48-5/8"
2x2	24-5/8"	24-5/8"
2x4	24-5/8"	48-5/8"

Note: Surface mount kit not impact resistant rated, or clenroom/wet location rated.

Suspension Kit

Catalog	UPC	Description
FPSUS2-ML	080083802784	ML / Max Load Kit for CGTX with options. 2 point Y-hanger suspension kit includes aircraft cable, carabiner, ceiling connection, SO cord, cord connectors, round 4" J-box cover plate, and #8 sheet metal screws.

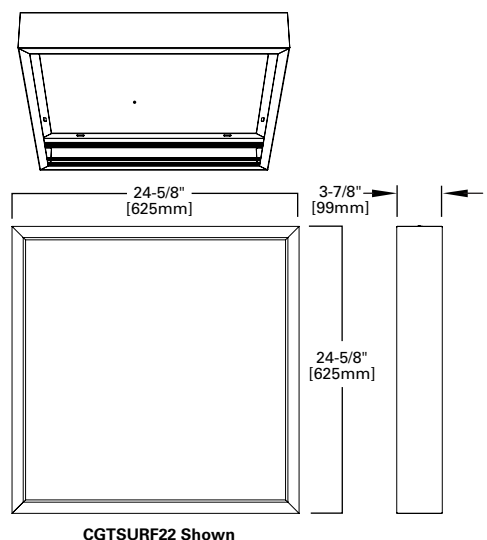
Mounting height from ceiling
Min. = 7-1/4" [184mm]
Max. = 27" [286mm]

Note: Suspension kit is intended to be used without surface mount box.

Shipping Data

	1x4	2x2	2x4
Packaged Weight (lb.)	10	10	16
Pallet Qty - Standard (Tall)	17 (11)	34 (22)	16 (11)
Pallet Size	30x53		

Note: Base configurations; options may add weight.

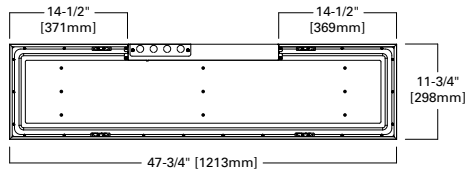


Highly Configurable FLR2 - Make-To-Order

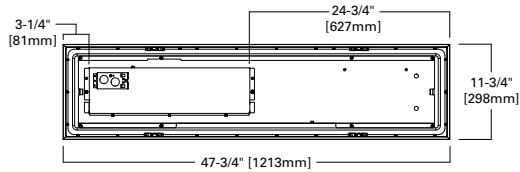
Standard driver - no controls, EM, or flex

Alternative driver, with controls, EM and/or flex

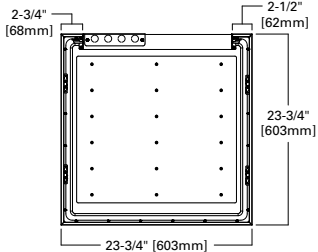
1x4



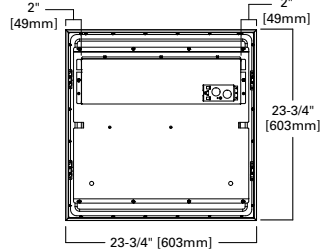
1x4



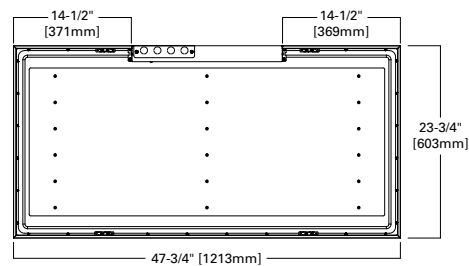
2x2



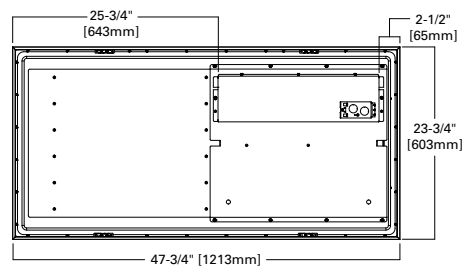
2x2



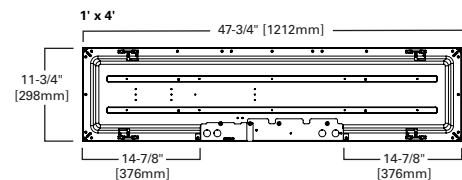
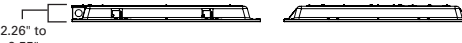
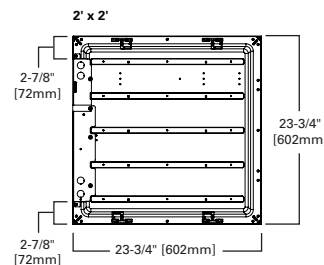
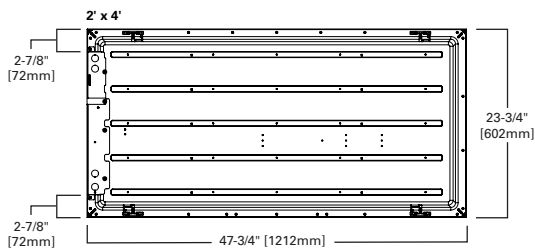
2x4



2x4



Minimally Configurable FLR



* 1-3/8" dimension is for static lumen and color temperature SKUs. For "L3C3" SKUs, the door frame is nominal 1" thick.

Adhesive gasket applied around the outer perimeter of the luminaire (0.050" thickness).
 Clear bottom lens, acrylic to 0.125" thick; polycarbonate to 0.375" thick. Overall height is 2.26" to 2.55" depending on the clear bottom lens thickness.
 See page 3 for additional details.

Control Solutions

- WaveLinx LITE wireless
- WaveLinx PRO wireless
- WaveLinx CAT wired
- WaveLinx Wired



The FLR/FLR2 with WaveLinx offers no-hassle lighting control with multiple luminaire level control solutions.



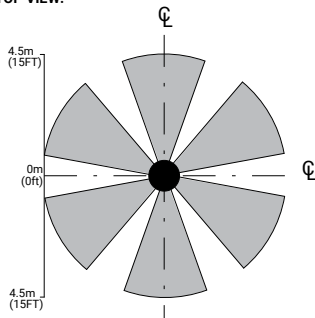
WaveLinx PRO is a wireless lighting control solution, for connected spaces, that significantly reduces a building's energy consumption. From a single floor to an entire campus, WaveLinx PRO connects more than lighting assets; it shares aggregated sensor data with the WaveLinx CORE platform and other building systems, so building owners can improve operations, spaces environment, and tenants' experience. WaveLinx PRO offers a rich portfolio of wireless devices, WaveLinx PRO-enabled luminaires, and an intuitive WaveLinx mobile app for office, education, warehouse, and parking garage applications.



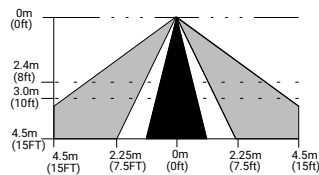
WaveLinx LITE is a cost effective, wireless digital lighting control solution, with out-of-the-box functionality, that saves energy and meets code. It's designed for applications that require occupancy-based, daylighting, or manual light control. Customize installations for office, education, warehouse and parking garages using the secure, simple mobile app.

Integrated Sensor Coverage Pattern

TOP VIEW:

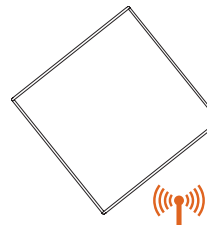


SIDE VIEW:



Note: Installation of integrated sensors within 3-ft (1m) of HVAC air vents is not recommended. The pattern shown is intended solely as a general guide and is not to scale.

With Integrated WaveLinx Node



Add a hidden WaveLinx sensor node (WPN, WLN) to your space lighting design!

Allows to:

- Keeps luminaire aesthetics
- Connect fixtures without the real estate to include sensor option such as downlights
- Connect sealed fixtures without a standard sensor option such as products for clinical space.

Integrated Controls Options

Option	Out of the Box Functionality	Luminaire Level Lighting Control (LLC)	Automatic Dimming Photocell	Occupancy Sensing	CCT Control
WLN		X			
WPN		X			X

Note: *WaveLinx utilizes scenes to allow users to change an area's fixtures Correlated Color Temperature (CCT) and intensity using a commissioned wireless wallstation scene controller. To enable CCT adjustments through WaveLinx, include WPS or WPN devices in addition to VividTune or BioUp technologies for integrated fixture control.

Systems comparison chart

Cooper Lighting Solutions provides many lighting system solutions designed to satisfy code requirements and meet the unique needs of any project.



Luminaire with standalone sensor



Standalone Spaces WaveLinx LITE



Standalone Spaces WaveLinx CAT



Networked Spaces WaveLinx PRO



Enterprise WaveLinx CORE

	Luminaire with standalone sensor	Standalone Spaces WaveLinx LITE	Standalone Spaces WaveLinx CAT	Networked Spaces WaveLinx PRO	Enterprise WaveLinx CORE
Occupancy	Yes	Yes	Yes	Yes	Yes
Daylighting	Yes	Yes	Yes	Yes	Yes
Wallstations	-	Yes	Yes	Yes	Yes
Gateways	-	-	-	1 WAC	300 WACs
Devices (MAX)	-	40 per Area (1120 per space)	40 per Area	200 per WAC2	32,500 per CORE Enterprise
Software	-	WaveLinx LITE Mobile App	WaveLinx CAT Mobile App	WaveLinx Mobile App	CORE
Areas	-	28 per Space	Unlimited	50 per WAC2	up to 3,000
Zones	-	16 per Area	16 per Area	16 per Area	up to 9,000
Scheduling	-	-	-	Local	Global
VividTune™	-	-	-	Yes	Yes
Plug-Load Control	-	Yes	Yes	Yes	Yes
Low-Voltage Power	-	-	Yes	Yes	Yes
Integration	-	-	-	-	BACnet, API
Dashboards	-	-	-	-	Energy, Occupancy
Configuration	-	Installer	Installer	Technician	Technician / IT