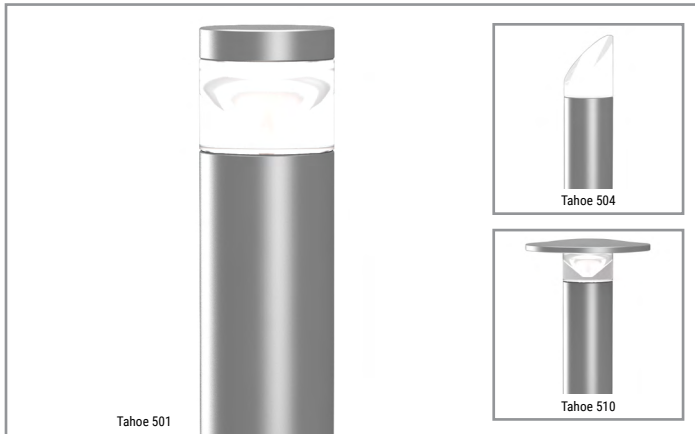


Project		Catalog #		Type	
Prepared by		Notes		Date	



Lumière

Tahoe 501, 504, 510

20W (Max.) MR16
8W LED / Halogen
Mini-Bollard

Typical Applications

- Hospitality • Commerical Landscape • Outdoor Area/Site • Residential
- Architectural

Interactive Menu

- Order Information page 2
- Product Warranty

Product Certification



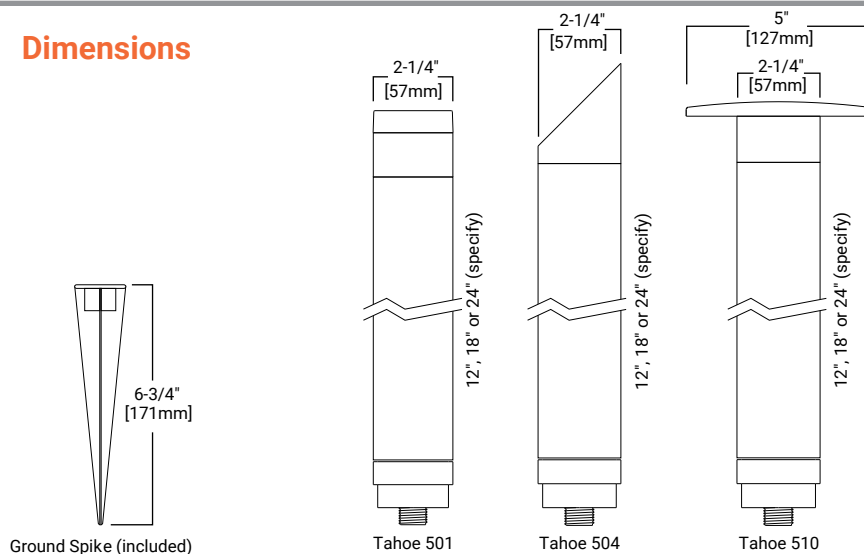
Product Features



Top Product Features

- Includes integral mounting spike for easy installation
- Machined aluminum construction
- Machined clear acrylic lens
- Stainless steel hardware
- Three-year warranty

Dimensions



TECHNICAL DATA
8W LED
20W (max.) T3
Low Voltage

Order Information

SAMPLE ORDER NUMBER: 501-12-20MR16-12-BZ

Domestic Preferences	Series	Height	Source (for LED, select from each column and combine)			Voltage	Finish			
Domestic Preferences ⁽¹⁾	Series	Height	Source (for LED, select from each column and combine)			Voltage	Finish			
[Blank] =Standard BAA =Buy American Act	501 =501 LED or Circular Outward Light Pattern Tahoe Bollard for Path and Area Lighting 504 =LED or MR16 Horizontal 90 degree Light Pattern Tahoe Bollard for Path, Driveway and Area Lighting 510 =LED or MR16 Circular Outward Light Pattern Tahoe Bollard with Reflective Crown to Cut Glare and Increase Light Throw	12 =12 inch nominal height 18 =18 inch nominal height 24 =24 inch nominal height	20MR16 =20W Max Halogen MR16, GU5.3 Base <table border="1"> <tr> <td>8LED=8W LED</td> <td> 27=2700K 30=3000K 40=4000K* </td> <td> 10=10° Spot 25=25° Narrow 36=36° Wide </td> </tr> </table>			8LED =8W LED	27 =2700K 30 =3000K 40 =4000K*	10 =10° Spot 25 =25° Narrow 36 =36° Wide	12 =12V	Painted BK =Black BZ =Bronze CS =City Silver VE =Verde WT =White
8LED =8W LED	27 =2700K 30 =3000K 40 =4000K*	10 =10° Spot 25 =25° Narrow 36 =36° Wide								
Notes (1) Only product configurations with this designated prefix are built to be compliant with the Buy American Act of 1933 (BAA). Please refer to DOMESTIC PREFERENCES website for more information. Components shipped separately may be separately analyzed under domestic preference requirements.	Notes	Notes	Notes * Not Title 20 compliant. Lamp Included			Notes 12V remote transformer required - not included	Notes Consult your Cooper Lighting Solutions representative for additional options and finishes.			

Product Specifications

Material

- Housing is precision-machined from corrosion-resistant 6061-T6 aluminum extrusion

Finish

- Fixture is double protected by a chromate conversion undercoating and polyester powdercoat paint finish, surpassing the rigorous demands of the outdoor environment
- Fixture housing is available in a variety of standard colors

Gasket

- Housing and mounting spike adaptor stem are sealed with a high temperature silicone o-ring gasket to prevent water intrusion

Lens

- Lens is machined from solid U.V. stabilized clear acrylic

Mounting Spike

- 6-3/4" corrosion-resistant cast zinc ground spike with 1/2" female threaded opening provided as standard (model GS01)
- It is sealed around the lead wires for rigidity and a watertight seal

Hardware

- Stainless steel hardware is standard to provide maximum corrosion-resistance

Socket

- Ceramic socket with 250° C Teflon® coated lead wires and GU5.3 bi-pin base

Electrical

- Remote 12V transformer required (not included)
- Available from Lumière as an accessory - see the Accessories & Technical Data section of this catalog for details.

Lamp

- Lamp included
- SORAA LED modules are included and are available in three color temperatures (2700, 3000 and 4000) and three distributions (spot, narrow, and flood)
- Both color temperature and distribution must be specified when ordering
- Soraa lamp compatible (8W Max)

Labels & Approvals

- Manufactured to ISO 9001-2000 Quality Systems Standard
- IBEW union made

Warranty

- Lumière warrants its fixtures against defects in materials & workmanship for three (3) years
- Auxiliary equipment such as transformers and lamps carry the original manufacturer's warranty.

* For natural bronze ROHS material only