

## DESCRIPTION

Full reflector trim for use with the H5, ET/EI500, H570, H571 and H572 series housings.

Catalog #		Type
Project		
Comments		Date
Prepared by		

## SPECIFICATION FEATURES

Torsion springs pull trim tight to ceiling. Straight precision sided trim ring coordinates with Halo small aperture trims.

### Lamp Listings - Incandescent

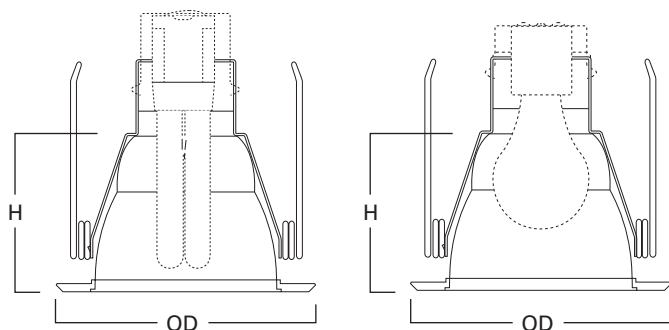
H51CAT	40W A19
H5RICAT	
H5T	60W A19
H5RT	

### Lamp Listings - GU24

H524ICAT	CF15/R30/GU24
H524ICATL	
H524RICAT	CF13/GU24 (spiral)
H524RICATL	

### Lamp Listings - CFL (4-Pin)

H570ICAT	13W DTT, 13W TTT, 4-Pin Compact Fluorescent Lamp
H570RICAT	
H571ICAT	18W DTT, 18W TTT, 4-Pin Compact Fluorescent Lamp
H571RICAT	
H572ICAT	26W DTT, 26W TTT, 4-Pin Compact Fluorescent Lamp
H572RICAT	
H573ICAT1D	
H573RICAT1D	
H578ICAT	Eco-Twist: 16W = CF16TW/E/Gz16q, 21W = CF21TW/E/Gz16q, 28W = CF28TW/E/Gz16q
H578RICAT	



Height: 5" [127mm]  
Outside Diameter: 6-3/8" [162mm]

H5T-5021  
40W A19IF  
495 Lumens

Dia	FC	Work Plane
9'0"	3	5'6"
11'0"	2	6'6"
14'0"	1	8'0"
17'0"	1	10'0"
21'0"	1	12'0"

Test No. H36055  
Work Plan is 2-1/2' above floor  
Dia of circle is 50% of max footcandles directly under fixture



**5021SC**  
White Trim, Clear Reflector



**5021RG**  
White Trim, Residential Gold Reflector



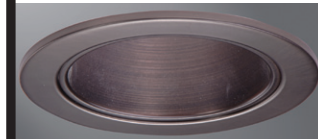
**5021H**  
White Trim, Haze Reflector



**5021SN**  
Satin Nickel Trim, Satin Nickel Reflector



**5021AC**  
Antique Copper Trim, Antique Copper Reflector



**5021TBZ**  
Tuscan Bronze Trim, Tuscan Bronze Reflector

## 5021

### 5-Inch Full Reflector Trims

## ORDERING INFORMATION

Trim	Finish	Accessories
5021 = 5" Reflector trim	SC = White trim ring with clear specular reflector RG = White trim ring with residential gold reflector H = White trim ring with haze reflector SN = Satin Nickel trim ring with satin nickel reflector AC = Antique Copper trim ring with antique copper reflector TBZ = Tuscan Bronze trim ring with tuscan bronze reflector	OT500P = 5" Oversize trim ring - white