

Project		Catalog #		Type	
Prepared by		Notes		Date	



Fail-Safe

H12 | Nominal 12" Square

High Abuse / Vandal Resistant
Prismatic Polycarbonate Lens
Deep, Shallow, or Flat Mount

Typical Applications:

Canopies • Correctional Facilities • Schools • Locker Rooms • Public Gathering Areas • Public transportation • Restrooms • Dormitories • Storage Areas • Stadiums • Stairwells • Factories • Distribution Centers

Interactive Menu

- Order Information [page 2](#)
- Product Specifications [page 2](#)
- Product Warranty

Top Product Features

- IP65 standard
- Wet location under covered ceiling standard
- Safety, security or high abuse applications
- Lens only or lens & die-cast aluminum back box
- Up to 4700 lumens for a variety of applications
- Opal or clear polycarbonate lens
- Lens Lifetime Warranty
- Shallow cast 7 5/16" deep, deep cast 9 1/2" deep
- Options to meet Buy American Act requirements

Product Certification

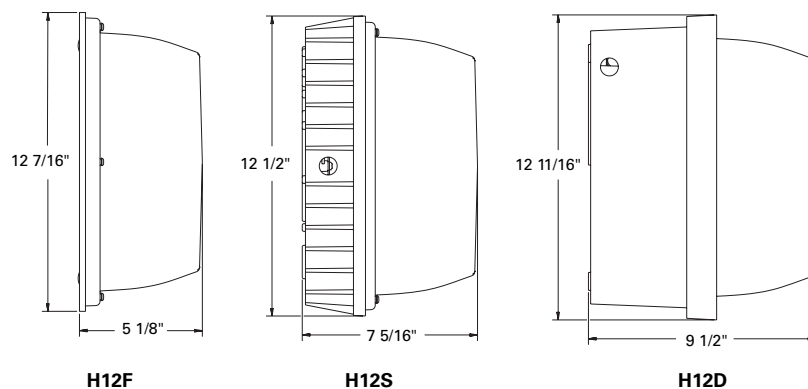


Product features



Dimensional and Mounting Details

Side Dimensions



[additional product diagrams](#)

Order Information

SAMPLE ORDER NUMBER: H12S-LD4-30W-35-OPL-WH-120-EDC1-EL5W

Domestic Preferences ⁽¹¹⁾	Product Family	LED	Wattage	Color Temperature	Lens	Color	Voltage	Driver	Options
[Blank] =Standard BAA =Buy American Act	H12F =HU12 Flat Mount H12S =HU12 Shallow Cast Back Box ⁽⁷⁾ H12D =HU12 Deep Cast Back Box ^{(1),(7)}	LD4 =LED 4.0 ⁽⁹⁾ AF =AF LED ⁽¹⁰⁾	H12F ⁽¹⁾ 10W =10 watt 15W =15 watt 20W =20 watt 25W =25 watt H12S ⁽¹⁾ 20W =20 watt 30W =30 watt 40W =40 watt 50W =50 watt 60W =60 watt H12D ⁽¹⁾ 20W =20 watt 30W =30 watt 40W =40 watt 50W =50 watt	30 =3000K 35 =3500K 40 =4000K 50 =5000K	CLR =Clear OPL =Opal	[Blank] =Bronze ⁽²⁾ BK =Black ⁽²⁾ WH =White ⁽²⁾ DP =Dark Platinum ⁽²⁾	120 =120Volt 277 =277Volt UNV =Universal	EDC1 =Electronic Driver, 1 Circuit, non-dimming EDD1 =Electronic Driver, 1 Circuit, 0-10V 10% dimming ⁽⁵⁾ ED1D1 =Electronic Driver, 1 Circuit, 0-10V 1% dimming ⁽⁶⁾	EL5W =5W emergency battery pack ^{(1),(3),(4),(6)} PB120 =Photocontrol, 120V ^{(1),(4)} PB277 =Photocontrol, 277V ^{(1),(4)} F1 =Fuse ^{(1),(3)} NTP =Non-tamperproof hardware OS =Occupancy sensor, internal, FM105 ^{(1),(3),(4),(8)}
Notes (11) Only product configurations with this designated prefix are built to be compliant with the Buy American Act of 1933 (BAA). Please refer to DOMESTIC PREFERENCES website for more information. Components shipped separately may be separately analyzed under domestic preference requirements.	Notes (1) Verify wattage vs. maximum ambient operating temperature, for proper operation. (7) Specify color.	Notes (9) No 60watt. (10) 60watt only.	Notes (1) Verify wattage vs. maximum ambient operating temperature, for proper operation.			Notes (2) For customer colors, specify RAL#, or paint manufacturer/catalog#. No need to specify color for H12F.		Notes (5) Not available in 10W and 15W. (6) Available in 10W and 15W only.	Notes (1) Verify wattage vs. maximum ambient operating temperature, for proper operation. (3) Specify voltage. (4) Available H12S or H12D only. (8) 120V or 277V only.

Accessories (Order Separately) ⁽¹²⁾

SCBS=Surface conduit box, steel, 1" deep
VRSD=T20 Center-pin Tamperproof TORX®-head Screwdriver
VRSB=T20 Center-pin Tamperproof TORX®-head Bit

Notes

(12) Accessories sold separately will be separately analyzed under domestic preference requirements. Consult factory for further information.

Product Specifications

Fasteners

- Captive, stainless steel T20 tamperproof TORX®-head screws prevent unauthorized access.

Cast Housing (H12D,H12S)

- Heavy duty, corrosion resistant cast aluminum housing withstands impact and environmental abuse.
- Standard bronze polyester powder coat finish.

Gasket

- Non-shrinking, double-baked neoprene gasketing seals out the environment.

Lens

- Nominal 0.156" UV stabilized, injection-molded, impact-resistant, prismatic polycarbonate refractor. Available clear or opal.

Reflector/Backpan

- Aluminum white polyester powder coat finish; minimum reflectance: 93%.

Mounting

- Surface, ceiling, or wall, interior or exterior. Available mount on combustible or non-combustible surfaces.

Electrical

- LED driver is mounted to the backpan for optimal thermal management. High efficiency LED mounted to circuit board.
- 70% lumen maintenance at 50,000 hours when operated in an environment as noted on the Maximum Ambient Operating/ Option Matrix.

Labels

- UL/cUL listed, standard wet label, under covered ceiling.
- IP65 standard ingress protection standard.

Warranty

- Five year warranty on the LEDs and electrical.
- Lens Lifetime Warranty** Fail-Safe will repair or provide a replacement lens found to be inoperative due to physical abuse for the duration of the installation under normal conditions.

Energy and Performance Data

Maximum Ambient Operating & Option Matrix

H12F FLAT	10W		15W		20W		25W	
	Ceiling	Wall	Ceiling	Wall	Ceiling	Wall	Ceiling	Wall
No options	40C	40C	40C	40C	40C	40C	40C	40C
Fuse	40C	40C	40C	40C	40C	40C	40C	40C
Photocell	n/a	n/a	n/a	n/a	n/a	n/a	n/a	n/a
Occ Sensor	n/a	n/a	n/a	n/a	n/a	n/a	n/a	n/a
Fuse & Photocell	n/a	n/a	n/a	n/a	n/a	n/a	n/a	n/a
Fuse & Occ Sensor	n/a	n/a	n/a	n/a	n/a	n/a	n/a	n/a
EM	n/a	n/a	n/a	n/a	n/a	n/a	n/a	n/a
EM & FUSE	n/a	n/a	n/a	n/a	n/a	n/a	n/a	n/a
EM & FUSE & PHOTOCELL	n/a	n/a	n/a	n/a	n/a	n/a	n/a	n/a
EM & FUSE & OCC SENSOR	n/a	n/a	n/a	n/a	n/a	n/a	n/a	n/a
EM & PHOTOCELL	n/a	n/a	n/a	n/a	n/a	n/a	n/a	n/a
EM & OCC SENSOR	n/a	n/a	n/a	n/a	n/a	n/a	n/a	n/a

n/a=Not Available

Maximum Ambient Operating & Option Matrix

H12S SHALLOW CAST	20W		25W		30W		40W		50W		60W	
	Ceiling	Wall	Ceiling	Wall	Ceiling	Wall	Ceiling	Wall	Ceiling	Wall	Ceiling	Wall
No options	40C	40C	40C	40C	40C	40C	40C	40C	30C	30C	35C	35C
Fuse	40C	40C	40C	40C	40C	40C	40C	40C	30C	30C	35C	35C
Photocell	40C	40C	40C	40C	25C	25C	25C	25C	25C	25C	25C	25C
Occ Sensor	35C	35C	35C	35C	25C	25C	25C	25C	n/a	n/a	n/a	n/a
Fuse & Photocell	40C	40C	40C	40C	25C	25C	25C	25C	25C	25C	25C	25C
Fuse & Occ Sensor	35C	35C	35C	35C	25C	25C	25C	25C	n/a	n/a	n/a	n/a
EM	40C	40C	40C	40C	25C	25C	25C	25C	25C	25C	n/a	n/a
EM & FUSE	40C	40C	40C	40C	25C	25C	25C	25C	25C	25C	n/a	n/a
EM & FUSE & PHOTOCELL	40C	40C	40C	40C	25C	25C	25C	25C	25C	25C	n/a	n/a
EM & FUSE & OCC SENSOR	35C	35C	35C	35C	25C	25C	25C	25C	n/a	n/a	n/a	n/a
EM & PHOTOCELL	40C	40C	40C	40C	25C	25C	25C	25C	25C	25C	n/a	n/a
EM & OCC SENSOR	35C	35C	35C	35C	25C	25C	25C	25C	n/a	n/a	n/a	n/a

n/a=Not Available

Maximum Ambient Operating & Option Matrix

H12D DEEP CAST	20W		25W		30W		40W		50W	
	Ceiling	Wall	Ceiling	Wall	Ceiling	Wall	Ceiling	Wall	Ceiling	Wall
No options	40C	40C	40C	40C	40C	40C	40C	40C	40C	40C
Fuse	40C	40C	40C	40C	40C	40C	40C	40C	40C	40C
Photocell	40C	40C	40C	40C	35C	35C	35C	35C	40C	40C
Occ Sensor	40C	40C	25C	25C	25C	25C	25C	25C	25C	25C
Fuse & Photocell	40C	40C	40C	40C	35C	35C	35C	35C	40C	40C
Fuse & Occ Sensor	40C	40C	25C	25C	25C	25C	25C	25C	25C	25C
EM	40C	40C	25C	25C	25C	25C	25C	25C	25C	25C
EM & FUSE	40C	40C	25C	25C	25C	25C	25C	25C	25C	25C
EM & FUSE & PHOTOCELL	40C	40C	25C	25C	25C	25C	25C	25C	25C	25C
EM & FUSE & OCC SENSOR	40C	40C	25C	25C	25C	25C	25C	25C	25C	25C
EM & PHOTOCELL	40C	40C	25C	25C	25C	25C	25C	25C	25C	25C
EM & OCC SENSOR	40C	40C	25C	25C	25C	25C	25C	25C	25C	25C

Energy and Performance Data

Approximate Delivered Lumens (4000K)

Wattage	Lens	Lumens	LPW
10	Clear	1104	133
	Opal	869	132
15	Clear	1104	130
	Opal	1272	130
20	Clear	2283	128
	Opal	1799	136
25	Clear	2493	135
	Opal	1965	138
30	Clear	3628	137
	Opal	2855	89
40	Clear	4477	105
	Opal	3514	83
50	Clear	4703	102
	Opal	3691	80

Refer to LM-79 data for exact lumen output, input wattage and distribution.

Mounting Dimensions

