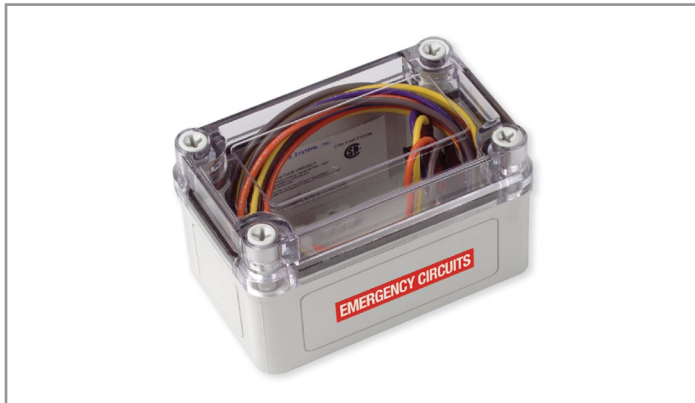


Project		Catalog #		Type	
Prepared by		Notes		Date	



Greengate

LRM – Lighting Relay Module

The LRM provides a dry contact closure to the ControlKeeper M and MB panels when normal (grid) power is lost.

Typical Applications

Office • Education • Healthcare • Hospitality • Retail • Industrial • Manufacturing

Interactive Menu

- Order Information page 2
- Wiring Diagrams page 2
- Product Warranty page 2

Product Certification



Top Product Features

- The Lighting Relay Module (LRM) is available in 347 VAC input voltage
- The LRM is designed to force all relays in a lighting control panel to an ON or Closed state, regardless of the control panel programmed relay status. This allows the closure of relays during loss of normal (grid) power to allow an alternate power source to drive the lighting loads. Once the LRM senses the normal power returning, the control panel will return to the normal programmed operating mode.
- This contact closure forces a hardware override of all relays in the enclosure to the ON state. This override condition takes priority over any relay commands from the system controller and will remain in effect until the contact closure from the LRM is removed.
- The LRM provides a dry contact closure to the ControlKeeper M and MB panels when normal (grid) power is lost.
- This contact closure forces a hardware override of all relays in the enclosure to the ON state. This override condition takes priority over any relay commands from the system controller and will remain in effect until the contact closure from the LRM is removed.
- UL 924 Listed Accessory (ControlKeeper M Series Panels only)
- Detects loss of power and auto sends signal to lighting control panel
- Allows Greengate panels to be listed as UL 924 when LRM is connected

 additional product diagrams

Order Information

This is an accessory for the ControlKeeper M and ControlKeeper MB lighting control panels. When ordering, specify the LRM as a separate system accessory.

Catalog Number

Catalog Number	Description	Rating
LRM347	Lighting Relay Module	347 VAC

Product Specifications

Electrical

Power Sources: Lighting Control Panels must be fed from alternate power

Connection: Connects to normal power

Compatibility

ControlKeeper M, ControlKeeper MB

Standards/Ratings

- UL Approved
- UL 924 Listed

Warranty

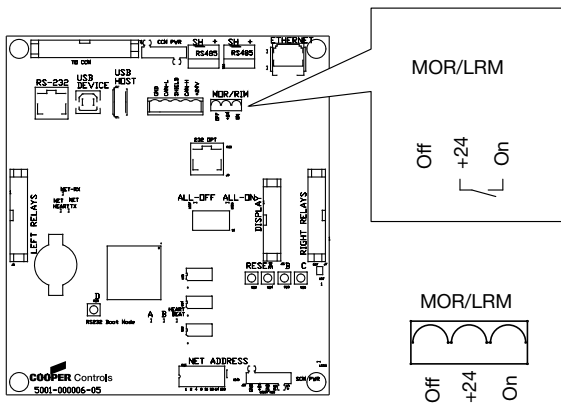
Consult website for warranty information

Installation

The LRM can be installed next to the lighting control panel enclosure.

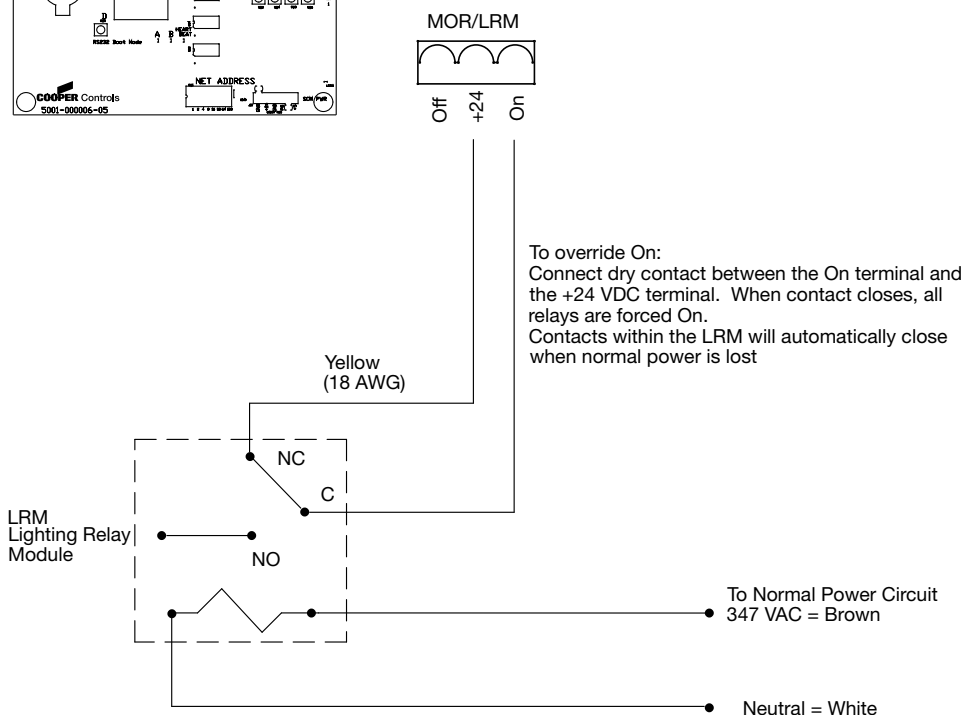
Wiring Diagrams

ControlKeeper M Motherboard



For Emergency panel configurations, ensure the ControlKeeper M lighting control panel is fed from an emergency power source.

The LRM needs to provide a dry contact maintained closure to the On and +24 terminals on the ControlKeeper M motherboard MOR connector.



Control Systems

- Greengate
- DLVP