

Project		Catalog #		Type	
Prepared by		Notes		Date	



Fail-Safe

HDF | LED

Hose Down Fixture Wet Location
Suspended / Surface
2800 PSI Hosedown IP66 NSF

Typical Applications:

Food Processing Facilities, • Car & Truck Washes • High Humidity / Moisture Areas • Maintenance Facilities • Inspection Stations • Athletic / Training Facilities

Interactive Menu

- Order Information page 2
- Product Specifications page 2
- Product Warranty

Top Product Features

- 6-3/4" Diameter, Impact Resistant Acrylic Tube
- Wet Location Rated
- IP66, 2800PSI Hose down rating
- Polycarbonate endcaps provide a tight seal
- NSF Rated
- Options to meet Buy American Act requirements

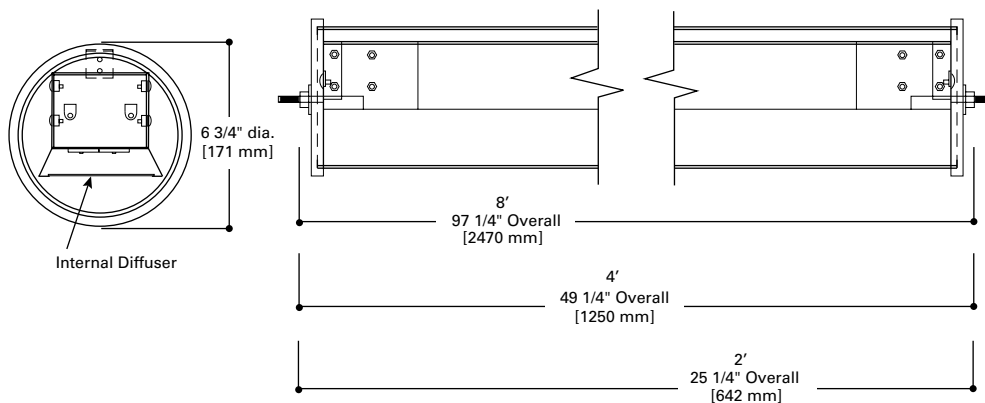
Product Certification



Product features



Dimensional and Mounting Details



[additional product diagrams](#)

Order Information

SAMPLE ORDER NUMBER: **HDF-4-LD4-1HI-35-UNV-EDC1-A12125**

Domestic Preferences ⁽³⁾	Series	Length	LED Type	# of Rows	Illumination Level	Color Temp	Voltage	Driver/ # of Circuits	Internal Diffuser	Options
[Blank] =Standard BAA =Buy American Act	HDF =Hose Down LED	2=2' Length 4=4' Length 8=8' Length	LD4	1=(1) LED Module in cross-section 2=(2) LED Modules in cross-section	LO =Low STD =Standard HI =High	30 =3000K 35 =3500K 40 =4000K 50 =5000K R63 =Red LED, 630nm G52 =Green LED, 520nm	120 = 120V 277 = 277V UNV =120-277V	EDC1 = Electronic Driver, 1 circuit, Non-dimming EDC2 = Electronic Driver, 2 circuits, Non-dimming ⁽¹⁾	[Blank] =No Diffuser A12125 =Pattern 12 Clear Acrylic, 0.125" thick ⁽²⁾ OPL =Opal Polycarbonate 0.120" thick ⁽²⁾	FP =NSF Compliant, Non-food Splash Zone
Notes (3) Only product configurations with this designated prefix are built to be compliant with the Buy American Act of 1933 (BAA). Please refer to DOMESTIC PREFERENCES website for more information. Components shipped separately may be separately analyzed under domestic preference requirements.								Notes (1) Available in 2 module cross section only.		
								Notes (2) HDF orientation must have downward illumination only, to ensure proper lens retention.		

Accessories (Order Separately) ⁽⁴⁾
DWC-X =Quick Disconnect Power Cord (X=Cord Length) SMB =Surface Mounting Bracket Kit CMB =Chain Mounting Bracket Kit SCHN1 =(2) pieces of Sash Chain (12" Length), (2) "S" Hooks,(2) Stainless Steel Brackets.
Notes (4) Accessories sold separately will be separately analyzed under domestic preference requirements. Consult factory for further information.

Product Specifications

End Plate

- 1/2" thick opaque PVC end plates are fully sealed with closed cell silicone gasketing.

Connector

- Five-foot, three-wire cord and water-tight connector is standard. Other cord lengths are available.

Internal Reflector

- Steel reflector finished with high reflectance white powder coat paint.

Lens

- High impact resistant, DR blended (50%) clear acrylic tube.

Light-Emitting Diode (LED)

- LED's available in 3000K, 3500K, 4000K, 5000K with CRI>85. Red (630nm) and Green (520nm) also available.
- Projected life is 50,000 hours at 70% lumen maintenance.

Internal Driver Housing

- Steel driver housing and end plate.

Finish

- Internal components have high gloss, electrostatically applied, white powder coat finish, average minimum reflectance 92%.

Transformer/Driver

- Electronic, non dimming standard.

Compliance

- UL/cUL listed for wet location.

Warranty

- Five year warranty on the LED's and electrical.

Energy and Performance Data

Length	# Modules in Cross-Section	Illumination Level	Nominal Input Watts	Nominal Delivered Lumens
2'	1	LO	12.4	1501
		STD	17.3	2011
		HI	22.3	2468
2'	2	LO	23.3	2951
		STD	33.2	3942
		HI	43.9	4805
4'	1	LO	23.6	3003
		STD	33.7	4022
		HI	44.5	4396
4'	2	LO	47.2	5963
		STD	67.2	7890
		HI	88.7	9591

Diffuser Multipliers	
Prismatic Lens	0.90
Opal Lens	0.70

View IES files

Lumen Calculator

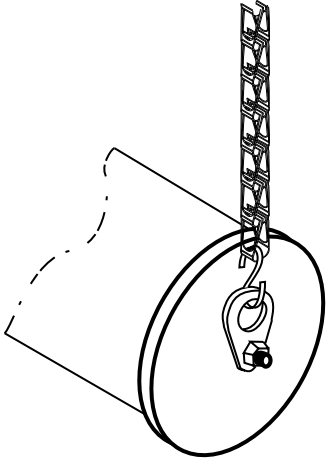
Approximate CCT Multiplier	
3000K	0.98
3500K	1.00
4000K	1.00
5000K	1.01

Approximate Lumen Multiplier for LEDs

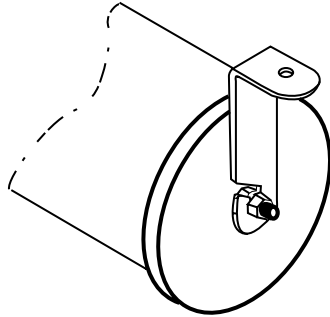
Color	Multiplier from White 4000K
White, 4000K	1.00
Red, 630nm	0.32
Amber, 590nm	0.27
Green, 520nm	0.78

* Nominal input wattage values include LED voltage, drive currents and typical driver efficiency. Refer to LM 79 data/photometric files for exact delivered lumen values and input wattage. Values in table are nominal values only.
 * For 8' fixture delivered lumens, multiply 4' unit by a factor of 2.

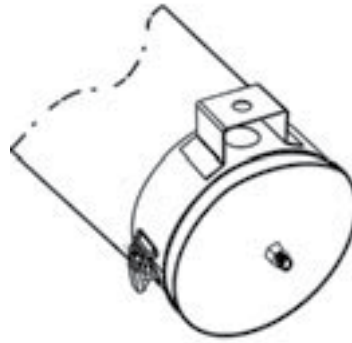
Dimensional and Mounting Details



**Stainless Steel Sash Chain
S-hook and Bracket**
SCHN



**Surface Mount
(height = 5 1/2")**
SMB



Chain Mounting Bracket
CMB