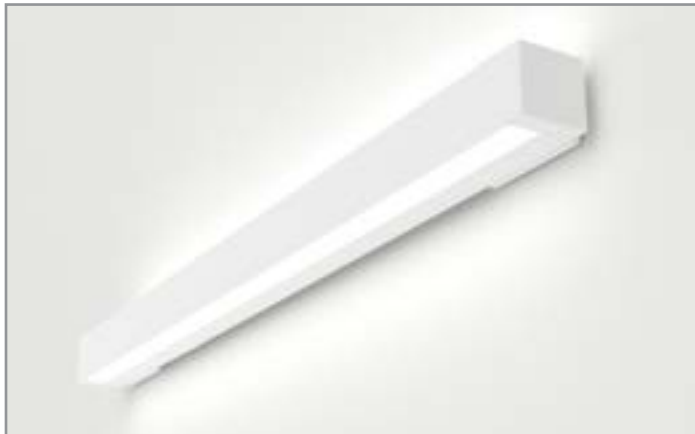


Project		Catalog #		Type	
Prepared by		Notes		Date	



Corelite

Continua SQ Wall - SQW

LED
Wall Mounted
Direct, Direct/Indirect

Typical Applications
Office • Education • Healthcare • Hospitality • Retail

Interactive Menu

- Order Information [page 2](#)
- Product Specifications [page 2](#)
- Photometric Data [page 3](#)
- Energy and Performance Data [page 3](#)
- Standard Row Configurations [page 4](#)
- Control Systems [page 5](#)
- Product Warranty

Product Certification



Product Features

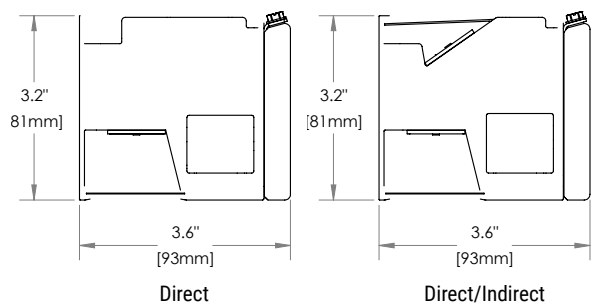
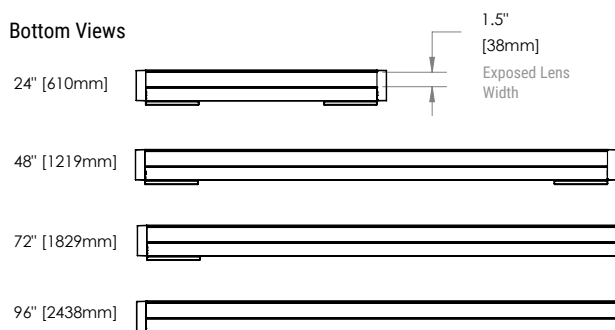


Top Product Features

- Compact scale and seamless illumination with single piece luminous roll lens up to 100 feet
- ADA Compliant for wall mount installation
- High quality illumination while delivering up to 138 lumens per watt
- Wide range of direct/indirect distributions plus independent up/down circuiting
- Available in 2', 4', 6', 8', and Continuous runs
- Options to meet Buy American Act requirements

Dimensions and Fixture Lengths

Bottom Views



Note: End caps add 1" at each end.

Order Information

SAMPLE ORDER NUMBER: **SQW-F-050U/075U-835-1D-UNV-STD-WAB-BSL6-W-WM-16**

Domestic Preference	Series	Shielding	Lumen Package Up (Lms/ft)	Lumen Package Down (Lms/ft)	CRI/CCT	Circuiting (In Cross Section)	Specialty Wiring	Voltage
[Blank] =Standard BAA =Buy American Act	SQW =SQ Linear Wall Mount Direct/ Indirect	F =Frosted Continuous Roll Lens	0U =0 Lumens Up (Direct Only) 025U =250 Lumens Up 050U =500 Lumens Up 075U =750 Lumens Up 100U =1000 Lumens Up __U =Specify	025D =250 Lumens Down 050D =500 Lumens Down 075D =750 Lumens Down 100D =1000 Lumens Down 125D =1250 Lumens Down __D =Specify	830 =LED 3000K, 80 CRI 835 =LED 3500K, 80 CRI 840 =LED 4000K, 80 CRI 930 =LED 3000K, 90 CRI 935 =LED 3500K, 90 CRI 940 =LED 4000K, 90 CRI 93050 =White Tune 3000K-5000K 92765 =White Tune 2700K-6500K	1 =Single Circuit 2 =Dual Circuit- (Ind. Up/Down Circuits)	D =None (Default Dimming) E =Emergency Circuit S =Secondary Circuit	UNV =Universal (120V-277V) 347 =347V
Notes Only product configurations with this designated prefix are built to be compliant with the Buy American Act of 1933 (BAA). Please refer to DOMESTIC PREFERENCES website for more information. Components shipped separately may be separately analyzed under domestic preference requirements.		Notes Single piece lens supplied up to 100-ft.	Notes Custom lumen output available. Up (Indirect): Min = 170 Lms/ft Max = 1800 Lms/ft Consult factory to specify custom lumen package. Not all lumen packages are available for every configuration. See Driver Availability tables for more details.	Notes Custom lumen output available. Down (Direct): Min = 135 Lms/ft Max = 2000 Lms/ft Consult factory to specify custom lumen package. Not all lumen packages are available for every configuration. See Driver Availability tables for more details.	Notes White Tuning is 90CRI standard. Tunable White options to be used with W2A driver only. Must be used with two (2) 10V dimming control channels, 1 color, 1 intensity. Not compatible with other control or sensor options.	Notes Refers to wiring in cross section. Dual circuit not available with secondary circuit or integrated sensor.	Notes Select "D" wiring for individual fixtures. Emergency and Secondary circuit section wiring are configured per unit (2ft, 4ft, 6ft, or 8ft). Emergency circuit powers downlight portion only Emergency circuit not available with secondary circuit or integrated sensor. Secondary circuit not available with integrated sensor.	Notes Integral 347V driver with STD 0-10V option only.

Driver / Dimming	Integral Sensor Options	Integral Emergency Device Options	Finish	Mounting	Run Length
STD =Standard 0-10V (1%-100%) SLT =Fifth Light DALI (1%-100%) LH =Lutron HiLume 1% EcoSystems SR =Sensor Ready (1%-100%) W2A =White Tuning, 2 ch, 0-10V Intensity and CCT Control	WAA =WaveLinX Wireless Integrated Sensor WAB =WaveLinX Lite Wireless Integrated Sensor LWIPD1 =Enlighted Wireless Integrated Sensor	BSL6 =6-watt, 120V-277V Emergency Battery Pack, BSL6LST EPC =LV5 Controls EPC UL924 Device	W =White S =Silver B =Black CC =Custom Color	WM =Wall Mount - Junction Box	2 =2 ft 4 =4 ft 6 =6 ft 8 =8 ft XX =Specify Row Length
Notes Not all driver options are available for every configuration. See Driver Availability tables for more details.	Notes WAA and WAB sensor must be used with "STD" driver. LWI sensor must be used with "SR" sensor ready driver. Integrated Sensor with Emergency circuit "E" requires the EPC option. SWPD1 has been renamed to WAA, but remains the same sensor.	Notes Battery powers 4ft section downlight only during loss of power Battery not available with Sensor in 4ft unit size. Battery is not available in 2ft fixture unit size. EPC option used to bypass local control during outage. Must be used in conjunction with UL 1008 device (provided by others).	Notes CC = must denote RAL color number		Notes See 'Standard Row Configurations' table on Page 3 for continuous row length breakdowns. 2ft not available with integrated sensors or emergency.

Product Specifications

Construction

- Single-piece extruded aluminum housing
- 3.2" x 3.2" profile with 1/2" wall mounting bracket.
- Die-formed 20 gauge cold rolled steel LED tray
- Driver accessible from above

End Caps

- Die cast aluminum end caps allow for expansion of lens to eliminate light leak
- Attach mechanically to the end of the fixture without exposed fasteners
- End cap adds 1" at each end

Lengths

- Available in 2 ft, 4 ft, 6 ft, and 8ft sections
- Modular design eliminates the need for starter, intermediate, and end of run sections
- See table on page 4 for continuous row length breakdowns

Finish

- Electrostatically applied polyester powder coat paint
- White, Silver, or Black finish offered as standard
- RAL custom colors are available

Mounting

- Fixture mounts directly to structure over a 2 x 4 inch standard electrical box mounted horizontally into the wall
- Wall bracket design allows fixture to hang while wiring connections are made
- Power feed location located on left side of each unit

- All sections are continuously wired with push-in connectors for fast installation
- Fixtures can be joined for straight continuous runs using rigid alignment feature

Shielding / Optics

- Frosted continuous flexible roll lens creates seamless illumination along entire row length
- Single piece roll lens up to 100 ft
- Dust cover present in all configurations to soften beam edge and provide easy wipe-down maintenance

LED and Light Engine

- LEDs are available in 3000K, 3500K, 4000K
- CRI options of either ≥ 80 CRI or ≥ 90 CRI
- Lumen output will be affected - please refer to the lumen adjustment factor tables
- TM21 life at 60,000 hours up to L84 and calculated L70 exceeds 121,000 hrs
- Drivers available in universal 120-277V and 347V
- White Tuning options available with Cooper Lighting's VividTune

Integrated Controls

- 0-10V dimming to 1% standard
- WaveLinX sensor compatible for IoT capability
- Enlighted sensor compatible for IoT capability
- DALI 2.0 and Lutron dimming available
- WaveLinX Lite compatible for out-of-the-box functionality

Emergency Options

- Emergency circuit option operates entire downlight portion of a specified unit (4 ft, 6 ft, or 8 ft)
- Optional 6-watt 120-277V integral emergency battery illuminates a 4 ft. down-light section
- 90-minute backup period for code compliance
- Test switch/indicator button located on the bottom side of the luminaire
- For approximate delivered lumens multiply the lumens per watt of the desired fixture by the wattage of the emergency battery pack (100 lm/W x 6 = 600 lumens)
- Battery is self-testing
- UL 924 emergency/generator transfer options available

Weight

- <3 lbs. per foot

Compliance

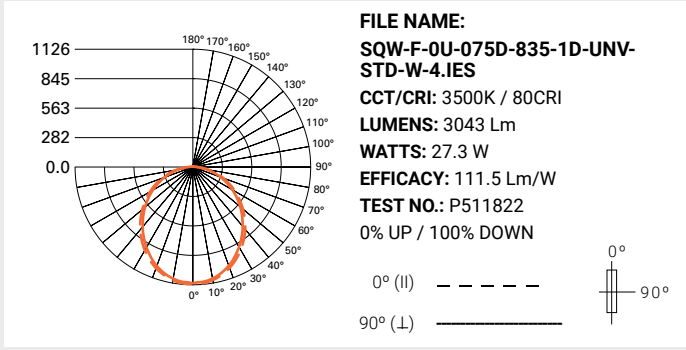
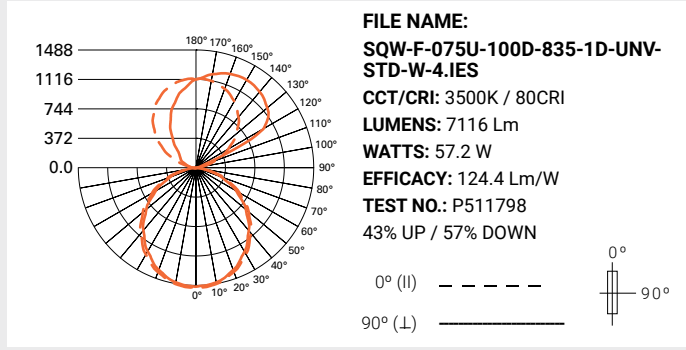
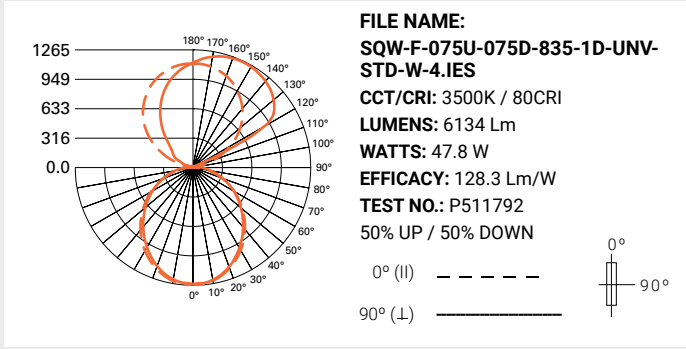
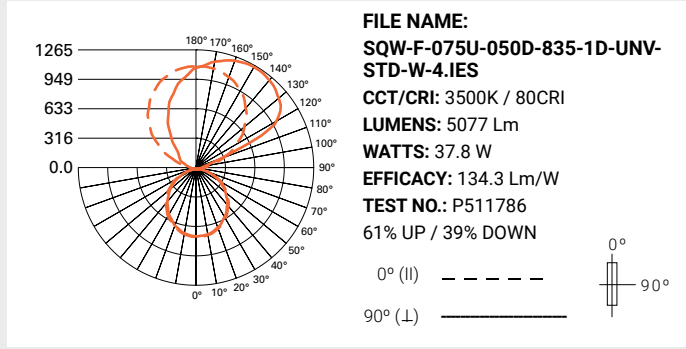
- cULus listed for damp locations
- RoHS compliant
- ADA compliant for wall mount installation
- Tested to IESNA LM-79 and LM-80
- Stated life per TM21 standards
- Can be used for State of California Title 24 high efficacy luminaire

Warranty

- Five year warranty standard
- www.cooperlighting.com/legal

Photometric Data

[View IES files](#)



Note: Refer to IES files for more product data.

Energy and Performance Data

SQW Performance (80CRI, 3500K)(1)						
Lumen Package	Lumens/ft Up	Lumens/ft Down	Lumens/ft Total	W/ft Total	Lm/W	Distribution (up%/down%)
0U-025D	0	253	253	2.2	113	0%/100%
0U-050D	0	497	497	4.3	115	0%/100%
0U-075D	0	761	761	6.8	111	0%/100%
0U-100D	0	1006	1006	9.2	110	0%/100%
0U-125D	0	1243	1243	11.7	106	0%/100%
025U-025D	252	253	506	4.1	124	50%/50%
025U-050D	252	497	749	6.1	122	34%/66%
025U-075D	252	761	1013	8.7	117	25%/75%
025U-100D	252	1006	1259	11.0	115	20%/80%
025U-125D	252	1243	1495	13.6	110	17%/83%
050U-025D	507	253	760	5.8	131	67%/33%
050U-050D	507	497	1004	7.9	128	51%/49%
050U-075D	507	761	1268	10.4	122	40%/60%
050U-100D	507	1006	1513	12.7	119	34%/66%
050U-125D	507	1243	1750	15.3	114	29%/71%
075U-025D	761	253	1014	7.4	138	75%/25%
075U-050D	761	497	1258	9.4	133	61%/39%
075U-075D	761	761	1522	12.0	127	50%/50%
075U-100D	761	1006	1768	14.3	124	43%/57%
075U-125D	761	1243	2004	16.9	119	38%/62%
100U-025D	977	253	1230	9.0	137	79%/21%
100U-050D	977	497	1474	11.0	134	66%/34%
100U-075D	977	761	1738	13.5	128	56%/44%
100U-100D	977	1006	1984	15.9	125	49%/51%
100U-125D	977	1243	2220	18.4	120	44%/56%

Lumen Adjustment Factors

CCT Multiplier	80 CRI	90 CRI
3000K	0.942	0.795
3500K	1.000	0.843
4000K	0.986	0.881

Example Calculation:

025U-075D / 3500K / 80 CRI

Lumen Output selected = 1013 lms/ft

3500K / 90 CRI Desired

Lumen Adjustment Factor = .795

Adjusted Lumen Output = 1013 lms/ft x .795 = 805 lms/ft

Lumen Maintenance

Ambient Temperature	TM-21 Lumen Maintenance (60,000 hours)	Theoretical L70 (Hours)
25°C	>84%	121,000

Color Data (3500K)

		80CRI	90CRI
TM-30-15	R _f	82.3	90.8
	R _g	97.6	99.5
CRI/CIE	R _a	83.0	95.7
	R ₉	13.0	65.9

Note:

(1) For technical data of other configurations please see photometric section on website or click link at top-right.

Standard Row Configurations

Fixture Length	4'	6'	8'	10'	12'	14'	16'	18'	20'	22'	24'	26'	28'	30'	32'	34'	36'	38'	40'	42'	44'	46'	48'	50'
4'	1			1	1			1	1			1	1			1	1			1	1			1
6'		1		1		1		1		1		1		1		1		1		1		1		1
8'			1		1	1	2	1	2	2	3	2	3	3	4	3	4	4	5	4	5	5	6	5

Fixture Length	52'	54'	56'	58'	60'	62'	64'	66'	68'	70'	72'	74'	76'	78'	80'	82'	84'	86'	88'	90'	92'	94'	96'	98'	100'
4'	1			1	1			1	1			1	1			1	1			1	1			1	1
6'		1		1		1		1		1		1		1		1		1		1		1		1	
8'	6	6	7	6	7	7	8	7	8	8	9	8	9	9	10	9	10	10	11	10	11	11	12	11	12

Companion Offering



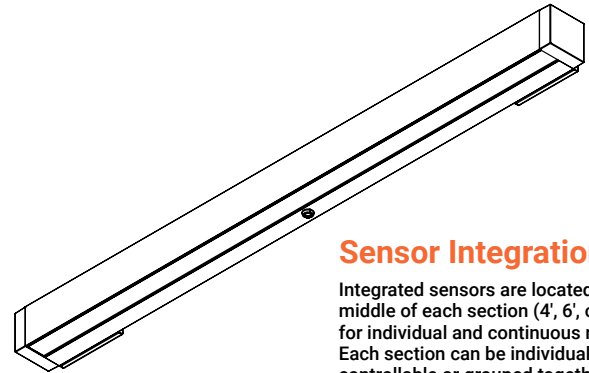
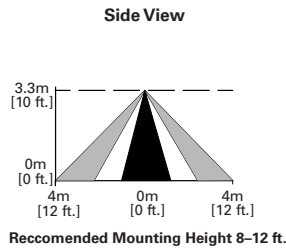
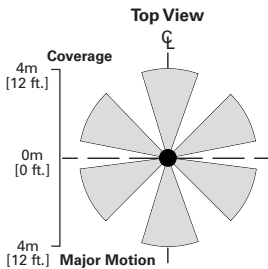
Control Systems

- WaveLinx Wireless
- WaveLinx Wired
- WaveLinx Lite
- Enlighted
- iLumin Plus
- VividTune



The Continua SQ Wall with Integrated Sensor technology provides automatic energy savings without sacrificing performance. The SQW delivers superior lighting with integrated occupancy and daylighting controls. For standalone and controlled applications, the WaveLinx Lite integral sensor provides out-of-the-box functionality with no gateways required and factory startup is not needed. When more connectivity is required, the WaveLinx Wireless sensor meets modern code and utility requirements, delivers energy and cost savings, while enabling buildings to become smart buildings. The WaveLinx Wireless Connected Lighting System combined with Trellix provides an open IoT platform and infrastructure that connects intelligent sensors leveraging the real-estate of the physical light fixture to solve higher complexity problems to deliver actionable insights through the aggregation of valuable data.

For additional information integrated sensors and connected lighting, please visit [Cooper Lighting Solutions' Connected Lighting Website](#).



Sensor Integration

Integrated sensors are located in the middle of each section (4', 6', or 8') for individual and continuous runs. Each section can be individually controllable or grouped together with the integrated sensors.

Systems comparison chart

Cooper Lighting Solutions provides many lighting system solutions designed to satisfy code requirements and meet the unique needs of any project.



Standalone



Controlled
WaveLinx Lite



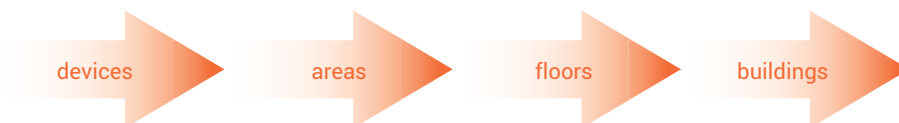
Connected
WaveLinx Wireless



Enterprise
Trellix

Occupancy	Yes	Yes	Yes	Yes
Daylighting	Yes	Yes	Yes	Yes
Gateways	-	-	1 WAC	300 WACs
Devices	-	50 per Area (1400 per site)	150 per WAC	45,000 per Core Enterprise
Software	-	WaveLinx Lite Mobile App	WaveLinx Mobile App	Trellix Core
Areas	-	28 per Site	16 per WAC	up to 4,800
Zones	-	16 per Area	16 per Area	up to 76,800
Scheduling	-	-	Local	Global
VividTune™	-	-	Yes	Yes
Plug-Load Control	-	-	Yes	Yes
Integration	-	-	-	BACnet, API
Dashboards	-	-	-	Energy, Occupancy
Configuration	-	Installer	Technician	Technician / IT

SCALABILITY



Driver Availability

Lumen Package	'STD' 0-10V, UNV Qty of Drivers				'5LT' DALI / 'SR' Qty of Drivers				'LH' Lutron Qty of Drivers				'STD' 0-10V, 347V Qty of Drivers				'W2A' 2Ch WT 0-10V, UNV Qty of Drivers			
	2'	4'	6'	8'	2'	4'	6'	8'	2'	4'	6'	8'	2'	4'	6'	8'	2'	4'	6'	8'
0U-025D	N/A	1	1	1	N/A	1	1	1	N/A	1	1	1	N/A	1	1	1	N/A	1	1	1
0U-050D	1	1	1	1	1	1	1	1	1	1	1	1	1	1	1	1	N/A	1	1	1
0U-075D	1	1	1	1	1	1	1	1	1	1	1	1	1	1	1	1	1	1	1	1
0U-100D	1	1	1	1	1	1	1	1	1	1	1	1	1	1	1	1	1	1	2	2
0U-125D	1	1	1	2	1	1	1	2	1	1	1	2	1	1	1	2	1	1	2	2
025U-025D	N/A	2	2	2	N/A	2	2	2	N/A	N/A	2	2	N/A	2	2	2	N/A	N/A	2	2
025U-050D	N/A	2	2	2	N/A	2	2	2	N/A	N/A	2	2	N/A	2	2	2	N/A	N/A	2	2
025U-075D	N/A	2	2	2	N/A	2	2	2	N/A	N/A	2	2	N/A	2	2	2	N/A	N/A	2	2
025U-100D	N/A	2	2	2	N/A	2	2	2	N/A	N/A	2	2	N/A	2	2	2	N/A	N/A	3	3
025U-125D	N/A	2	2	3	N/A	2	2	3	N/A	N/A	2	3	N/A	2	2	3	N/A	N/A	3	3
050U-025D	N/A	2	2	2	N/A	2	2	2	N/A	2	2	2	N/A	2	2	2	N/A	2	2	2
050U-050D	2	2	2	2	2	2	2	2	N/A	2	2	2	2	2	2	2	N/A	2	2	2
050U-075D	2	2	2	2	2	2	2	2	N/A	2	2	2	2	2	2	2	N/A	2	2	2
050U-100D	2	2	2	2	2	2	2	2	N/A	2	2	2	2	2	2	2	N/A	2	3	3
050U-125D	2	2	2	3	2	2	2	3	N/A	2	2	3	2	2	2	3	N/A	2	3	3
075U-025D	N/A	2	2	2	N/A	2	2	2	N/A	2	2	2	N/A	2	2	2	N/A	2	2	2
075U-050D	2	2	2	2	2	2	2	2	2	2	2	2	2	2	2	2	N/A	2	2	2
075U-075D	2	2	2	2	2	2	2	2	2	2	2	2	2	2	2	2	N/A	2	2	2
075U-100D	2	2	2	2	2	2	2	2	2	2	2	2	2	2	2	2	N/A	2	3	3
075U-125D	2	2	2	3	2	2	2	3	2	2	2	3	2	2	2	3	N/A	2	3	3
100U-025D	N/A	2	2	2	N/A	2	2	2	N/A	2	2	2	N/A	2	2	2	N/A	2	2	3
100U-050D	2	2	2	2	2	2	2	2	2	2	2	2	2	2	2	2	N/A	2	2	3
100U-075D	2	2	2	2	2	2	2	2	2	2	2	2	2	2	2	2	2	2	2	3
100U-100D	2	2	2	2	2	2	2	2	2	2	2	2	2	2	2	2	2	2	3	4
100U-125D	2	2	2	3	2	2	2	3	2	2	2	3	2	2	2	3	2	2	3	4