

Installation Instructions – R6R Assembly Instructions

WARNING



Risk of Fire, Electrical Shock, Cuts or other Casualty Hazards- Installation and maintenance of this product must be performed by a qualified electrician. This product must be installed in accordance with the applicable installation code by a person familiar with the construction and operation of the product and hazards involved.



Risk of Fire and Electric Shock- Make certain power is OFF before starting installation or attempting any maintenance. Disconnect power at fuse or circuit breaker.



Risk of Fire- Minimum 90°C supply conductors.



Risk of Burn- Disconnect power and allow fixture to cool before handling or servicing.

Risk of Personal Injury- Due to sharp edges, handle with care.

Failure to comply with these instructions may result in death, serious bodily injury and property damage.

DISCLAIMER OF LIABILITY: Cooper Lighting Solutions assumes no liability for damages or losses of any kind that may arise from the improper, careless, or negligent installation, handling or use of this product.

IMPORTANT: Read carefully before installing fixture. Retain for future reference.

NOTICE: Green ground screw provided in proper location. Do not relocate.

NOTICE: Fixture may become damaged and/or unstable if not installed properly.

Note: Specifications and dimensions subject to change without notice.

ATTENTION Receiving Department: Note actual fixture description of any shortage or noticeable damage on delivery receipt. File claim for common carrier (LTL) directly with carrier. Claims for concealed damage must be filed within 15 days of delivery. All damaged material, complete with original packing must be retained.

Installation Instructions – R6R Instructions

For T-Grid Mounting

1. Turn off power at main fuse/breaker box.
2. Carefully open carton and remove components from packaging.
3. Remove fixture junction box knockout(s) to access power supply wiring.
4. Pass fixture and kit assembly through the grid at a 45 degree angle and lay the assembly into grid (Fig 1).

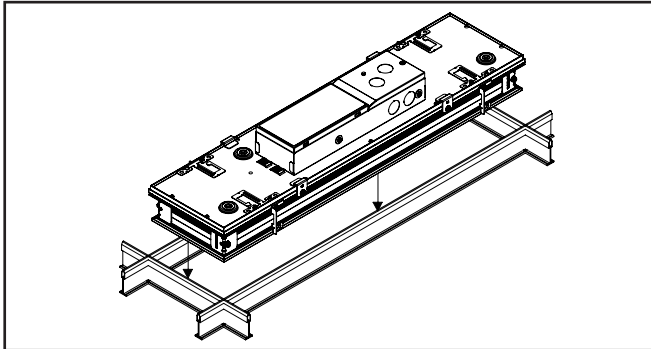


Figure 1.

5. See note regarding kit assembly total weight and T-grid structure.

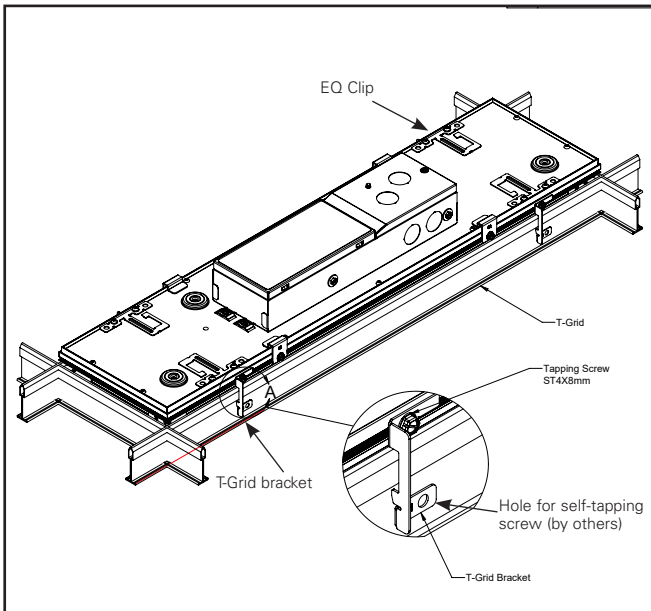


Figure 2.

6" x 2'	6" x 4'	6" x 8'
5.52lbs(2.5kg)	9.64lbs(4.4 kg)	17.43lbs (7.9kg)

6. Using the open knockout in fixture junction box bring in power supply wires and connect them to fixture
7. Secure fixture to the grid using the T-grid bracket (see figure 2). Align the screw tabs of T-grid bracket on regress frame with T-grid and drive a self-tapping screw (by others) through the screw tab into the T-grid (see Figure 2). EQ clips are provided on the fixture for additional retention to the ceiling system.

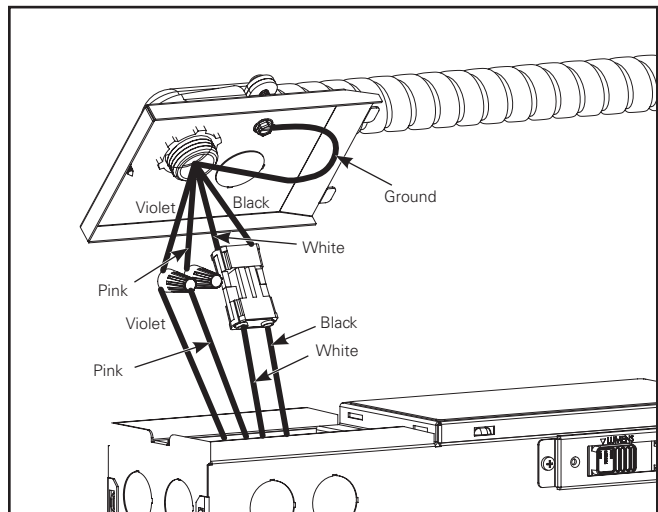


Figure 3.

8. Bring supply wires into the junction box using a conduit fitting through the top access plate. Connect the line (black) and neutral (white) to the supplied quick disconnect. Attach ground wire to the ground screw on the access plate. (Figure 3.)

Note: This fixture is compatible with 0-10V dimming. If installing dimming wires, strip the free ends of the violet (Dim+) and pink (Dim-) leads, and follow your dimmer instructions for wiring to these leads.*

* Constructions built before Jan 2022 may have gray wire for 0-10 dimming control present. In these cases, the installer will label the gray building wire as a 0-10 dimming wire and connect to our product's pink 0-10V dimming control wire. Reference NFPA70 (2020 NEC), section 410.69.

9. Tuck all wires and wire nuts into the fixture junction box, replace electrical access plate, and fasten screw. (Figure 4.)

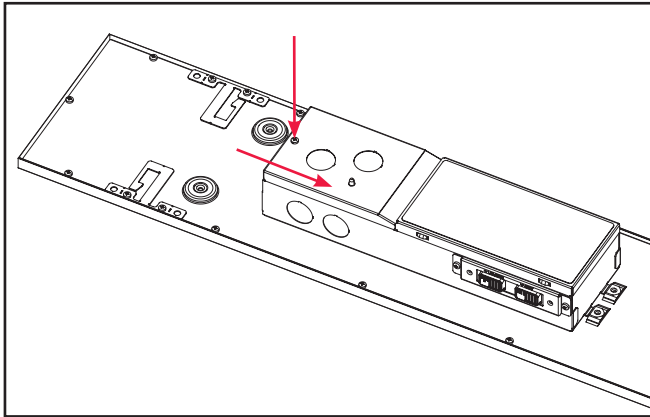


Figure 4.

10. Turn breaker on. Use wall switch to verify light turns on.
11. With fixture powered on, use the lumen switch and CCT switch (if equipped) to adjust the fixture to the desired lumen level and CCT (Figure 5). Refer to label on top of driver for lumens and wattage of each setting.

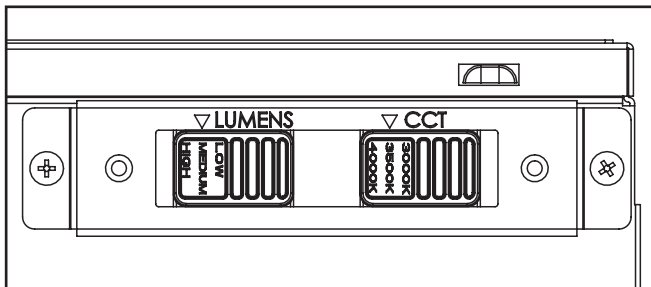


Figure 5.

12. Once desired lumen level and CCT have been selected, attach provided switch cover securely using provided screws. (Figure 6.)

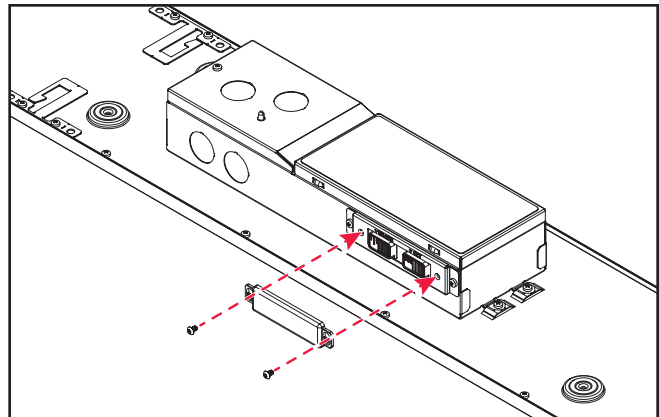


Figure 6.

13. To clean fixture, use a small amount of water on a cloth and wipe the lens. Do not use chemicals on the lens as this could cause damage.

Warranties and Limitation of Liability

Please refer to www.cooperlighting.com/global/resources/legal for our terms and conditions.

Garanties et limitation de responsabilité

Veuillez consulter le site www.cooperlighting.com/global/resources/legal pour obtenir les conditions générales.

Garantías y Limitación de Responsabilidad

Visite www.cooperlighting.com/global/resources/legal para conocer nuestros términos y condiciones.

Cooper Lighting Solutions
1121 Highway 74 South
Peachtree City, GA 30269
P: 770-486-4800
www.cooperlighting.com

Canada Sales
5925 McLaughlin Road
Mississauga, Ontario L5R 1B8
P: 905-501-3000
F: 905-501-3172

© 2025 Cooper Lighting Solutions
All Rights Reserved
Publication No. IL52491425
July 10, 2025

Cooper Lighting Solutions is a registered trademark. All trademarks are property of their respective owners.

Cooper Lighting Solutions est une marque de commerce déposée. Toutes les autres marques de commerce sont la propriété de leur propriétaire respectif.

Cooper Lighting Solutions es una marca comercial registrada. Todas las marcas comerciales son propiedad de sus respectivos propietarios.

Product availability, specifications, and compliances are subject to change without notice

La disponibilité du produit, les spécifications et les conformités peuvent être modifiées sans préavis

La disponibilidad de productos, las especificaciones y los cumplimientos están sujetos a cambio sin previo aviso