

Installation Instructions – Continua, SQ, and Discreet Wall Mount Luminaire
 Instructions d’installation – Luminaire mural Continua™
 Instrucciones de instalación de las luminarias tipo aplique de pared
 Continua™

⚠ WARNING



Risk of Fire, Electrical Shock, Cuts or other Casualty Hazards- Installation and maintenance of this product must be performed by a qualified electrician. This product must be installed in accordance with the applicable installation code by a person familiar with the construction and operation of the product and hazards involved.



Risk of Fire and Electric Shock- Make certain power is OFF before starting installation or attempting any maintenance. Disconnect power at fuse or circuit breaker.



Risk of Fire- Minimum 90°C supply conductors.



Risk of Burn- Disconnect power and allow fixture to cool before handling or servicing.



Risk of Personal Injury- Due to sharp edges, handle with care.

Risk of Personal Injury- Do not install this product in locations such as gymnasiums, arenas, sports complexes, multi-purpose rooms and other locations where the fixture potentially will be subject to impacts from external sources. Doing so may result in cracking and/or breaking of the fixture which may cause pieces to fall from the application.

Failure to comply with these instructions may result in death, serious bodily injury and property damage.

DISCLAIMER OF LIABILITY: Cooper Lighting Solutions assumes no liability for damages or losses of any kind that may arise from the improper, careless, or negligent installation, handling or use of this product.

IMPORTANT: Read carefully before installing fixture. Retain for future reference.






CAUTION: Fixture may become damaged and/or unstable if not installed properly.












Note: Specifications and dimensions subject to change without notice.

Note: These instructions do not claim to cover all details or variations in the equipment, procedure or process described, nor to provide directions for every possible contingency during installation, operation, or maintenance. When additional information is desired to satisfy a problem not covered sufficiently for user purpose, please contact your nearest representative.

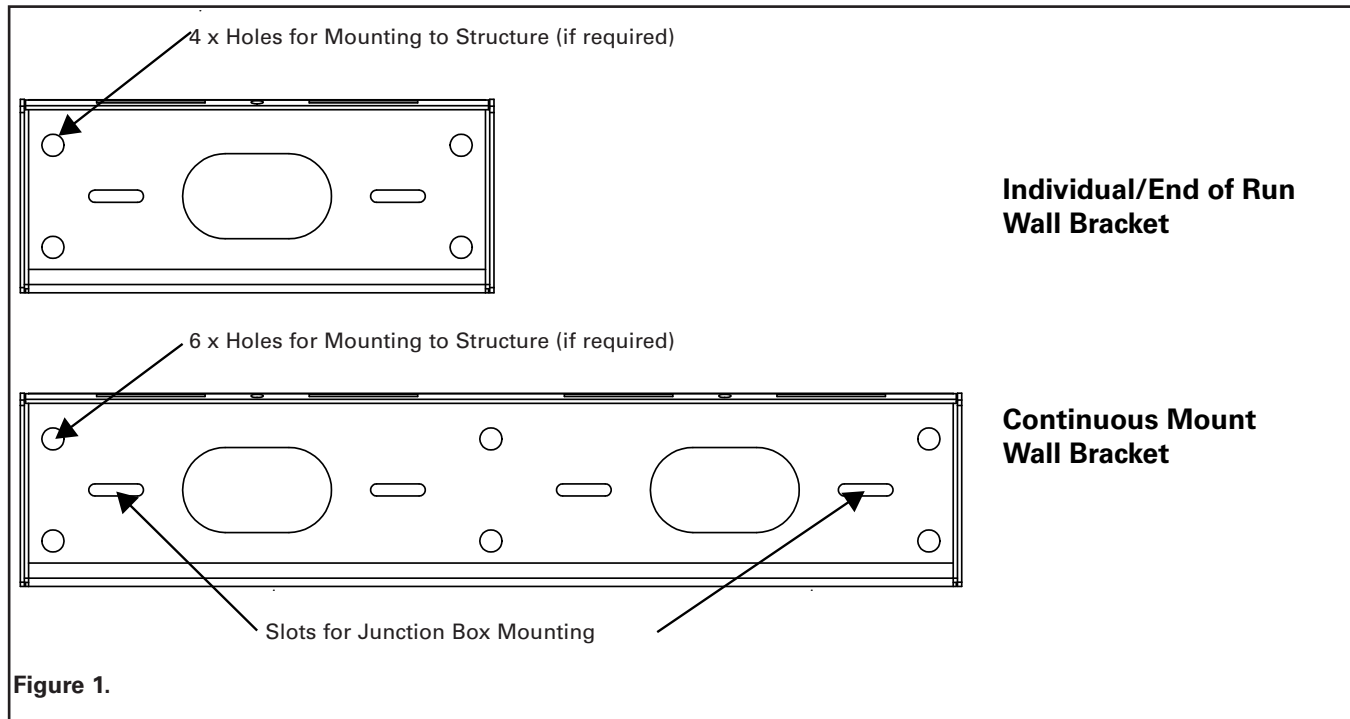
ATTENTION Receiving Department: Note actual fixture description of any shortage or noticeable damage on delivery receipt. File claim for common carrier (LTL) directly with carrier. Claims for concealed damage must be filed within 15 days of delivery. All damaged material, complete with original packing must be retained.

Wiring Table

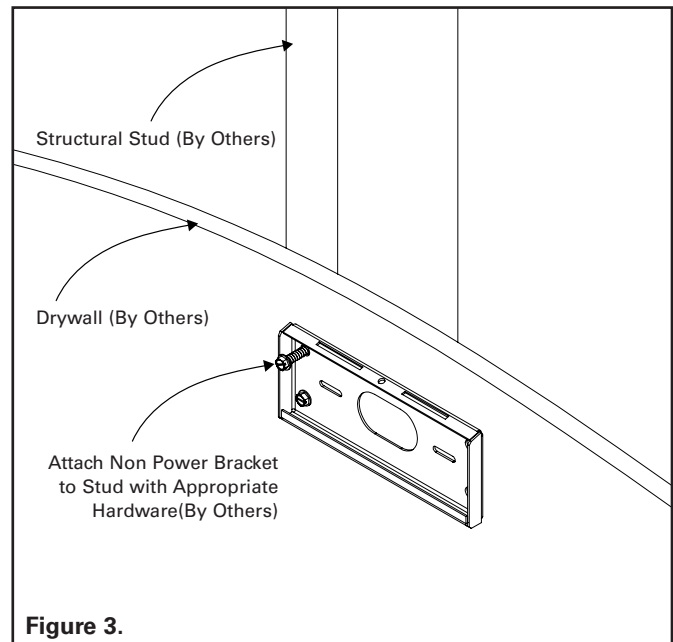
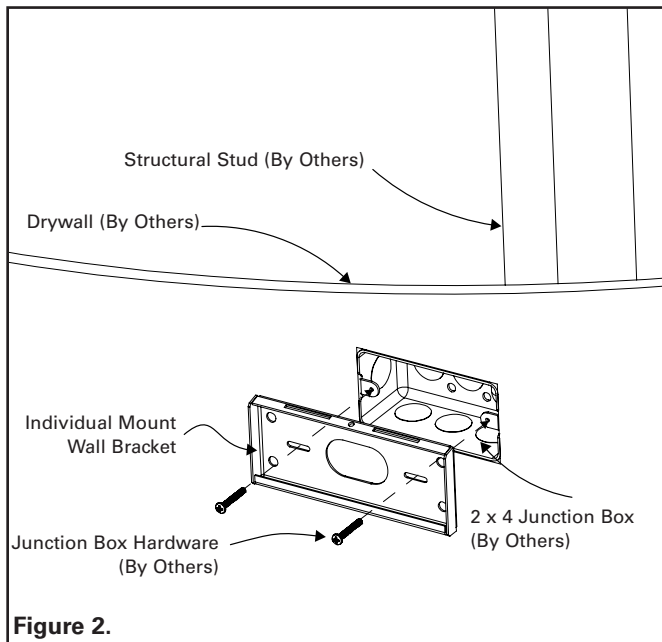
Power Supply (Input)	
	Black (BK) - Hot
	White (WT) - Neutral
	Green (GN) - Ground
	Violet (VT) - Dimming (+)
	Pink (PK) - Dimming (-)

Power Supply (Input) - When Applicable	
	Black/Red (BK/RD) - Emergency Hot
	White/Red (WT/RD) - Emergency Neutral
	Black/Orange (BK/OR) - 2nd Circuit Hot
	White/Orange (WT/OR) - 2nd Circuit Neutral
	Orange (OR) - 2nd Circuit Dimming (+)
	Yellow (YL) - 2nd Circuit Dimming (-)
	Blue (BL) - Battery/Emergency Unswitched Hot
Vivid Tune	
	Violet/White (VT/WT) - 1st Circuit CCT (+)
	Gray/Black (GY/BK) - 1st Circuit CCT (-)
	Black/White (BK/WT) - 2nd Circuit CCT (+)
	White/Yellow - 2nd Circuit CCT (-)

INSTALLATION
Wall Brackets

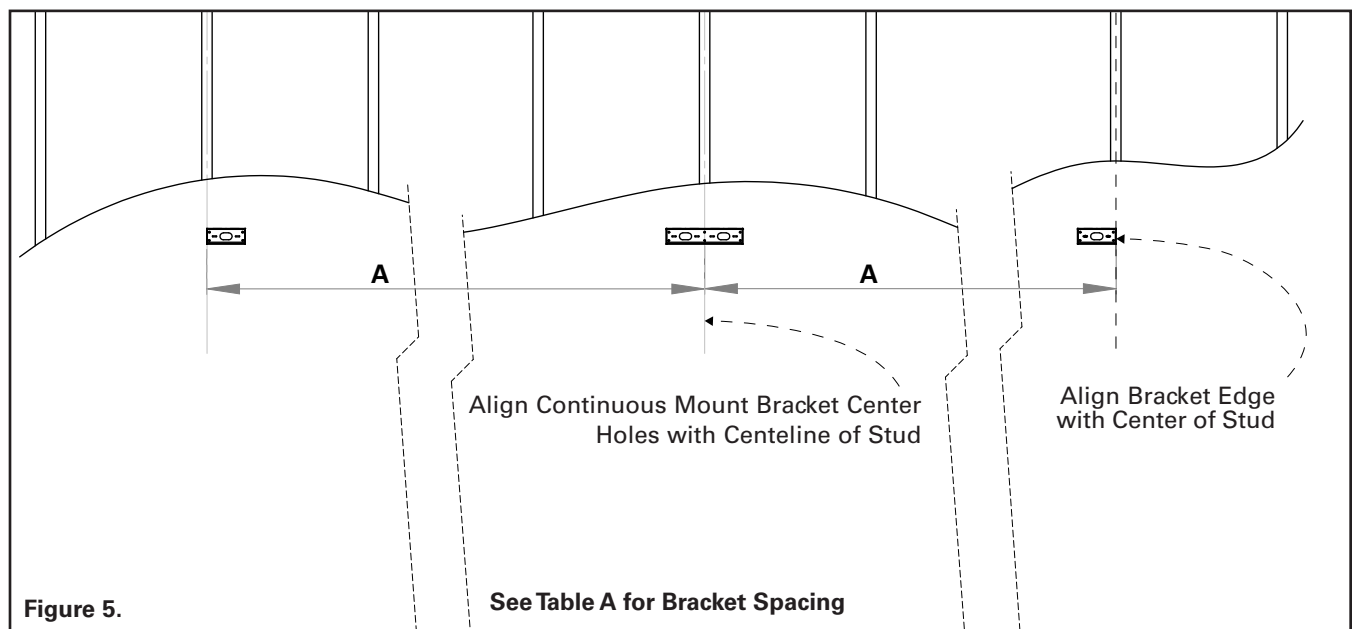
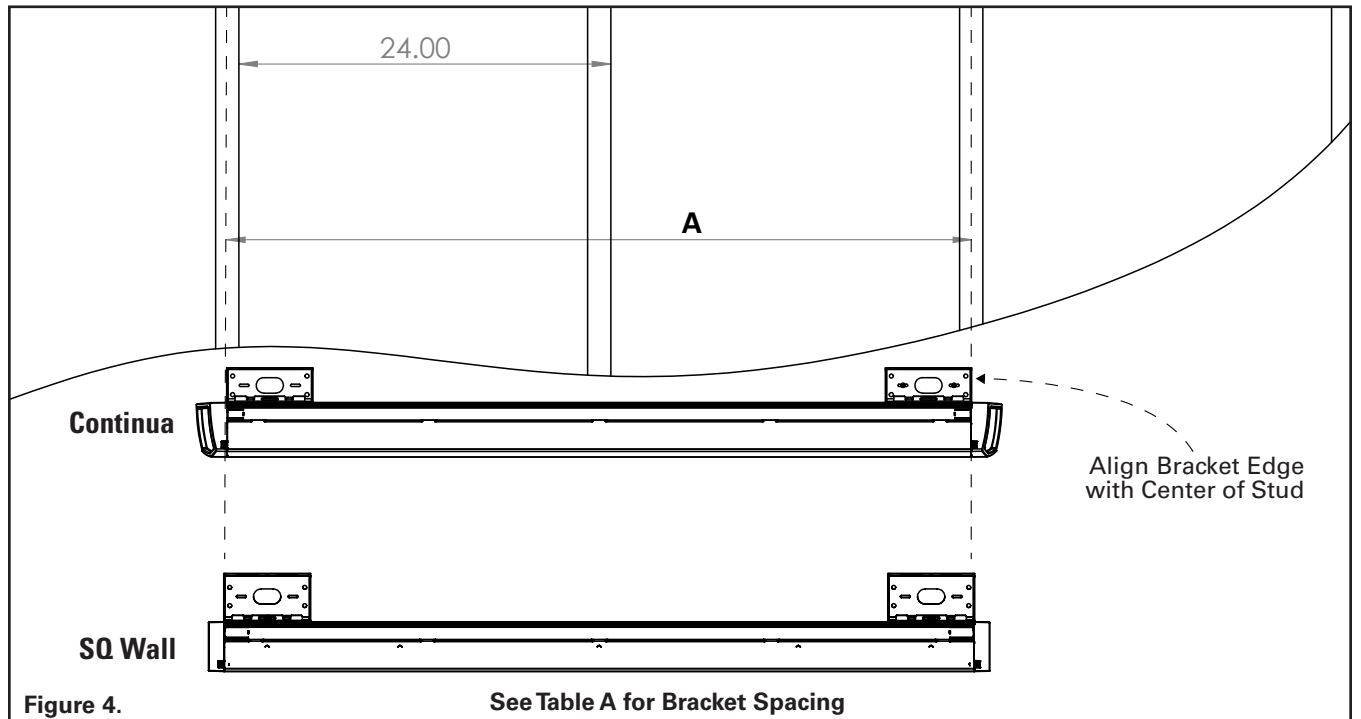


A horizontal 2x4 j-box is required at the right hand side of the fixture or run for power connection (Figure 2.)



Mount subsequent wall brackets, level with the first, at the recommended spacing (See Table A) Brackets should be mounted to structure with appropriate hardware (by others)

Mount Spacing



Fixture length

• Table A		A
2 ft		24"
4 ft		48"
6 ft		72"
8 ft		96"

Fixture Installation

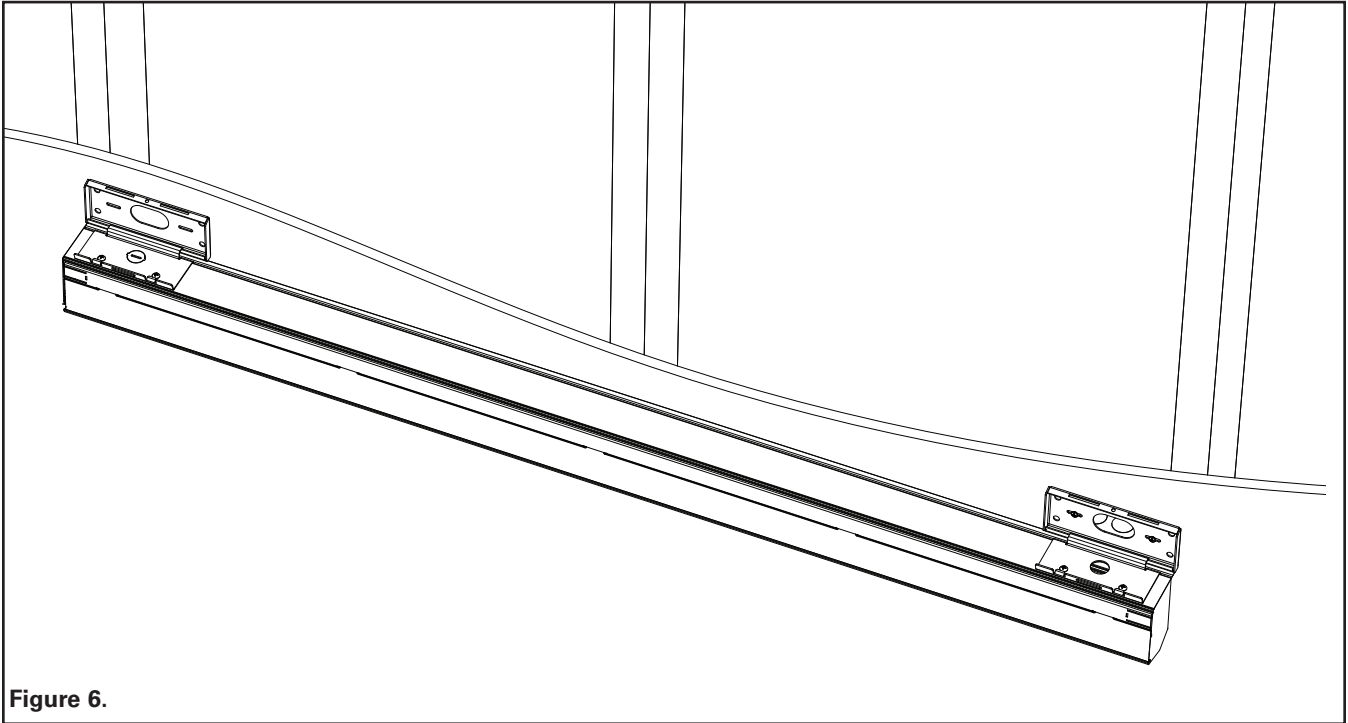


Figure 6.

Hang first fixture from the installed brackets by hooking the flange on the fixture side bracket into the lower flange on the wall side bracket. Pull wires from the junction box and into the wiring hole on the fixture. Pull wires from fixture and supply wires out of the end of the fixture and attach using suitable connectors (by others) (figure 6, 7, 8)

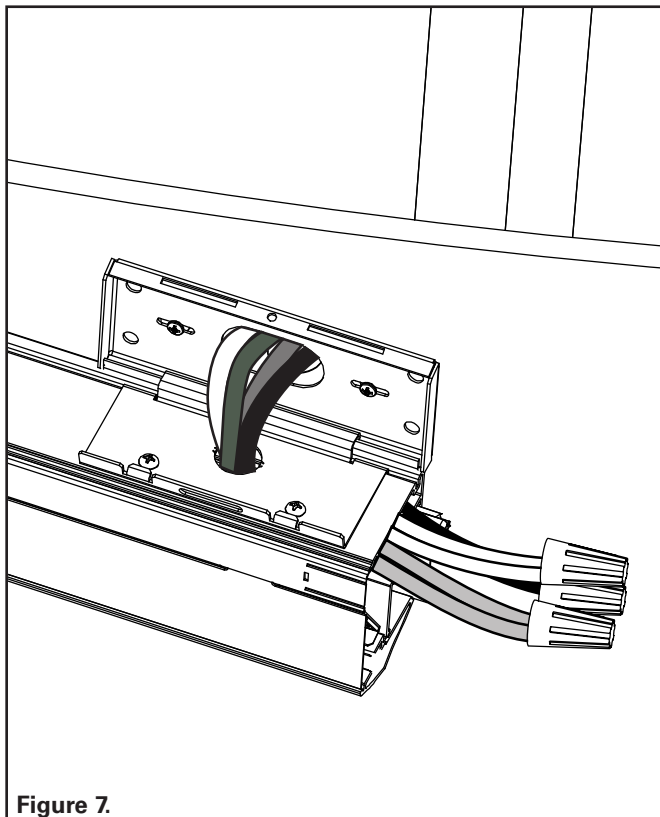


Figure 7.

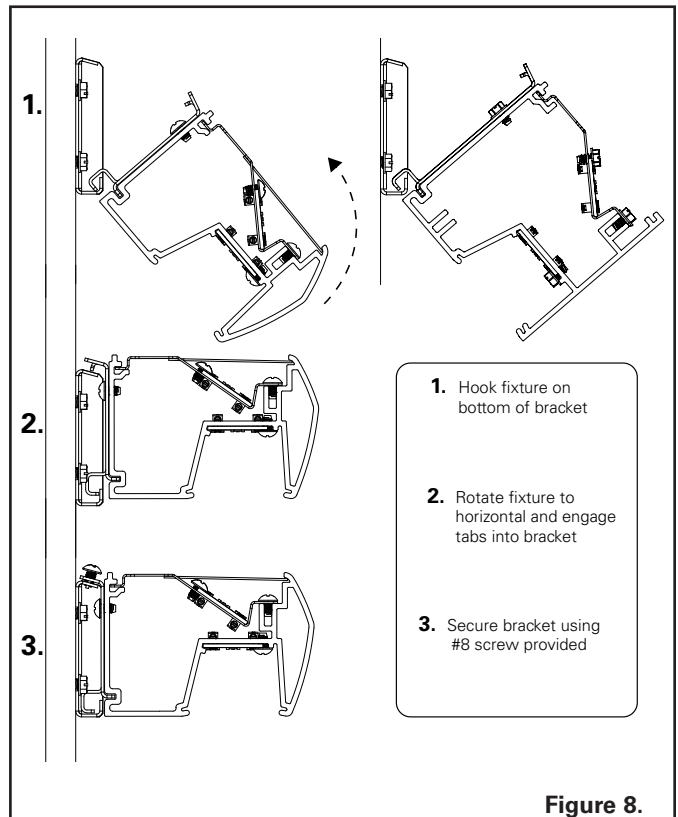


Figure 8.

Joining

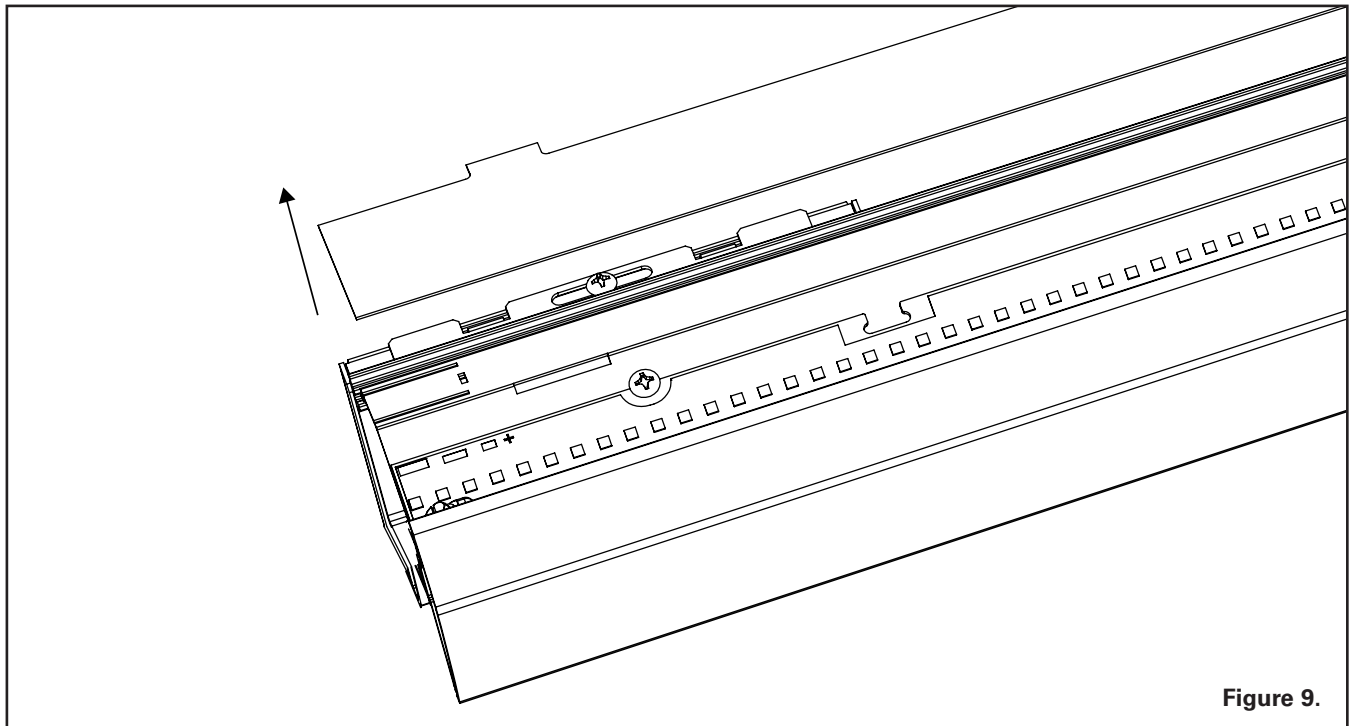


Figure 9.

Remove dust cover from fixtures to access joiner aligner (Figure 9)

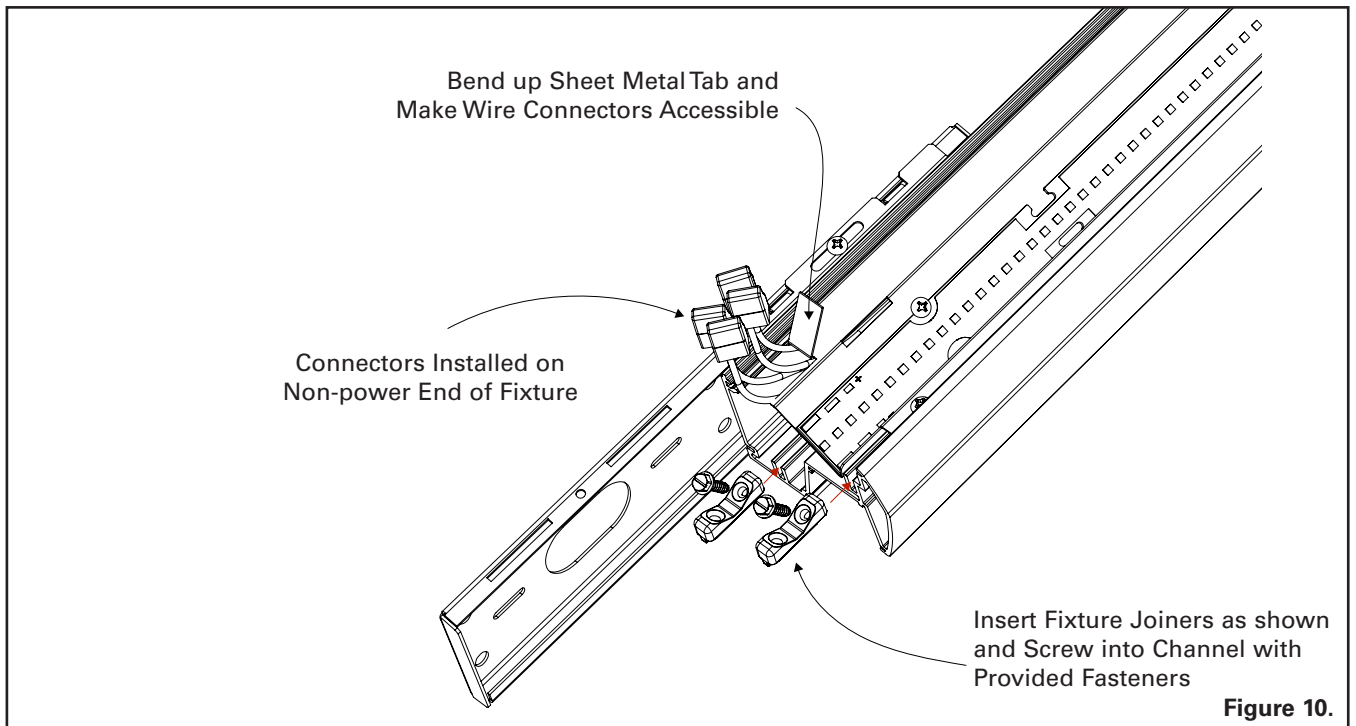
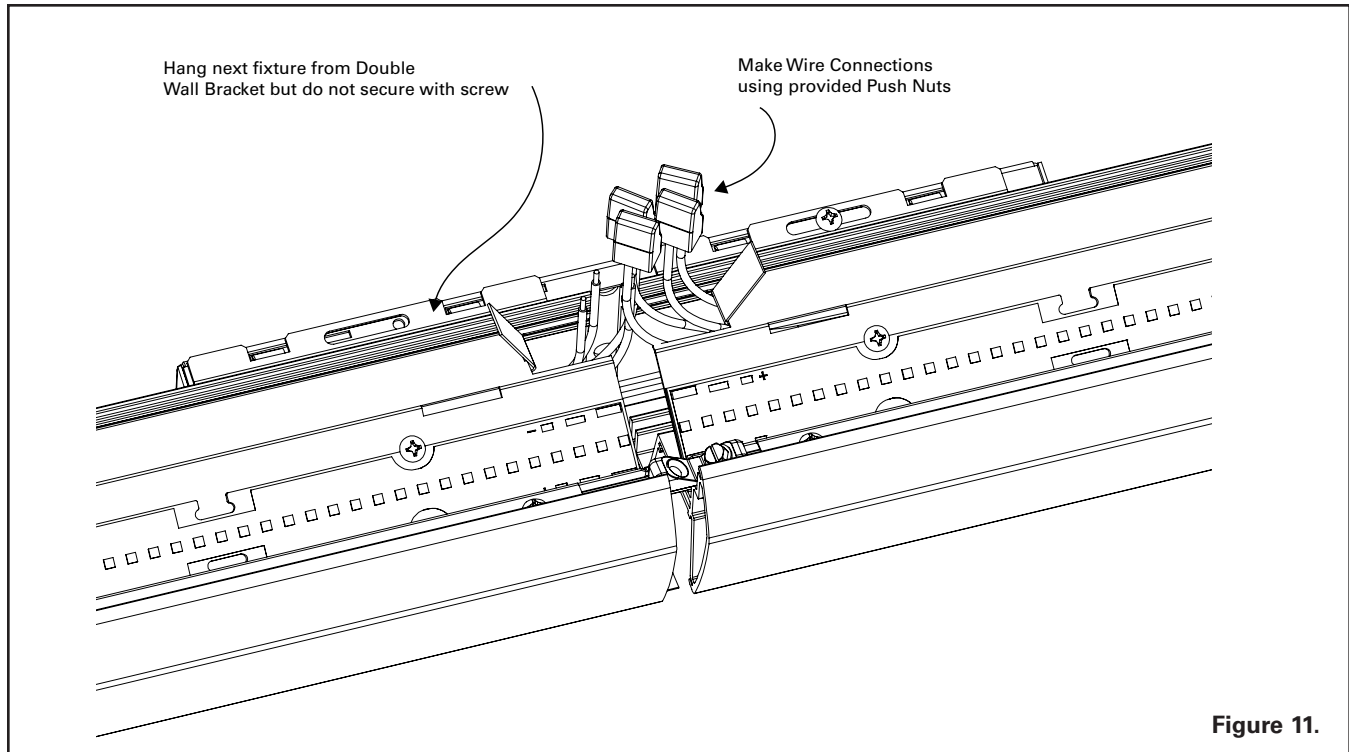


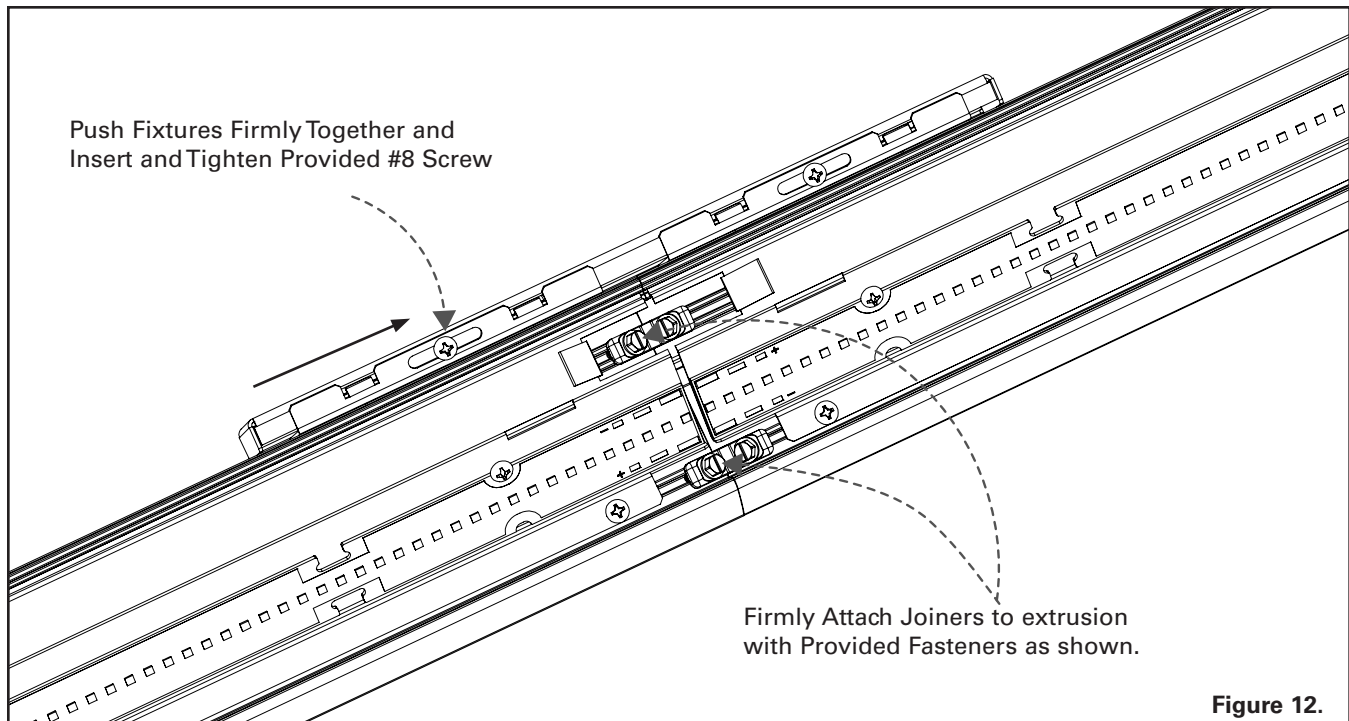
Figure 10.

Bend up sheet metal tabs and pull wire and connectors up as shown. Insert and fasten the provided fixture joiners as shown (Figure 10.)

Joining (Continued)

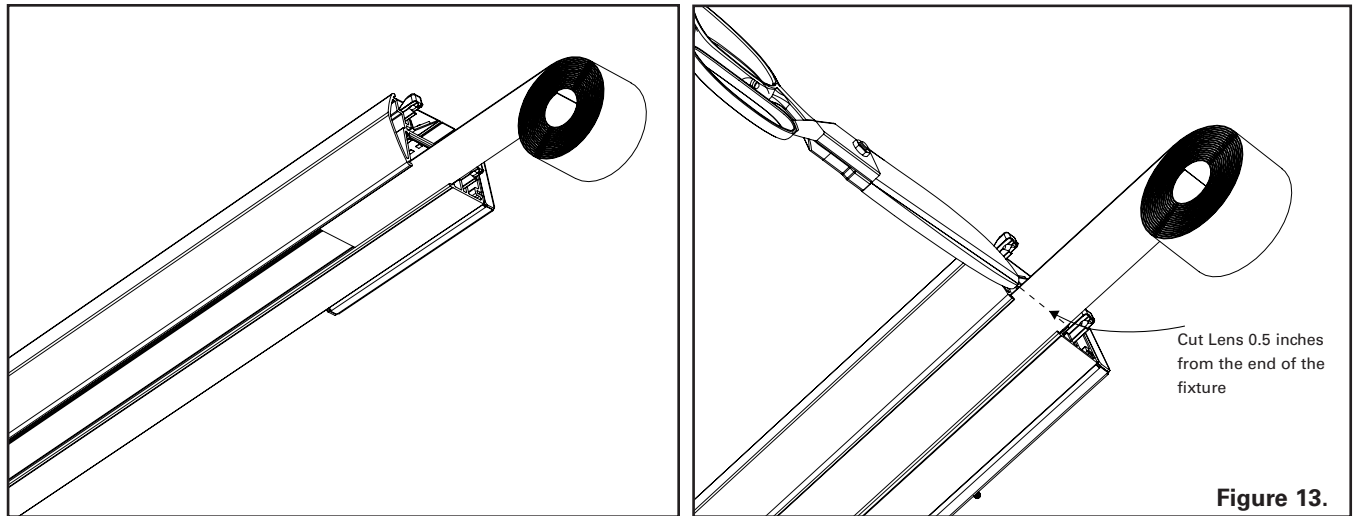


Connect wires using the provided wire connectors, push all wire back into fixture. (Figure 11.)



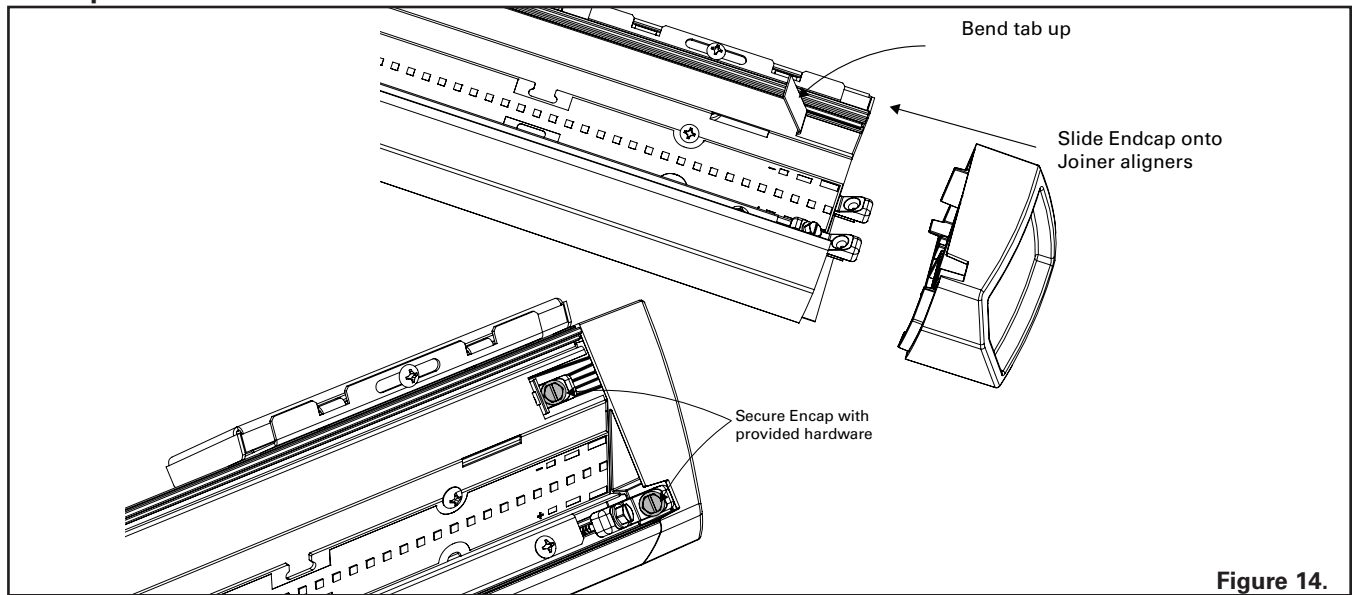
Push fixtures together and secure with provided hardware Minor Left to Right Adjustment Possible. Bend tabs back to original position (Figure 12.)

Lens

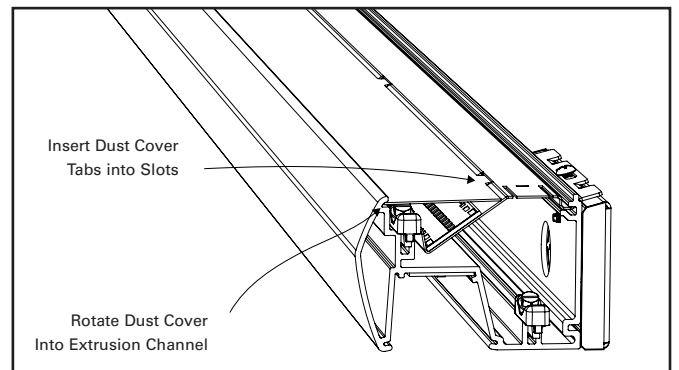
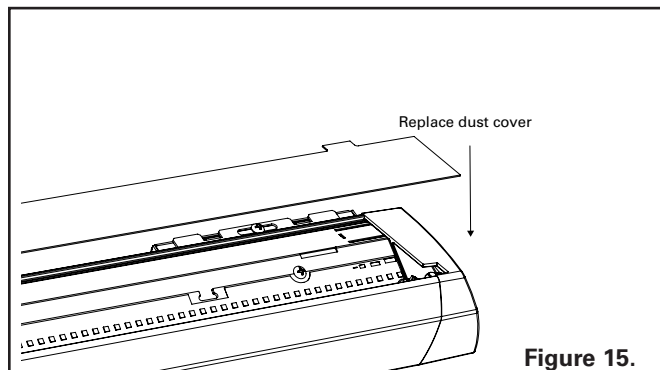


Insert the end of the roll in lens and push lens through the fixture run until it impacts the far end endcap. Cut the lens with sharp scissors a minimum of 0.5" past the end of the fixture. (Figure 13.)

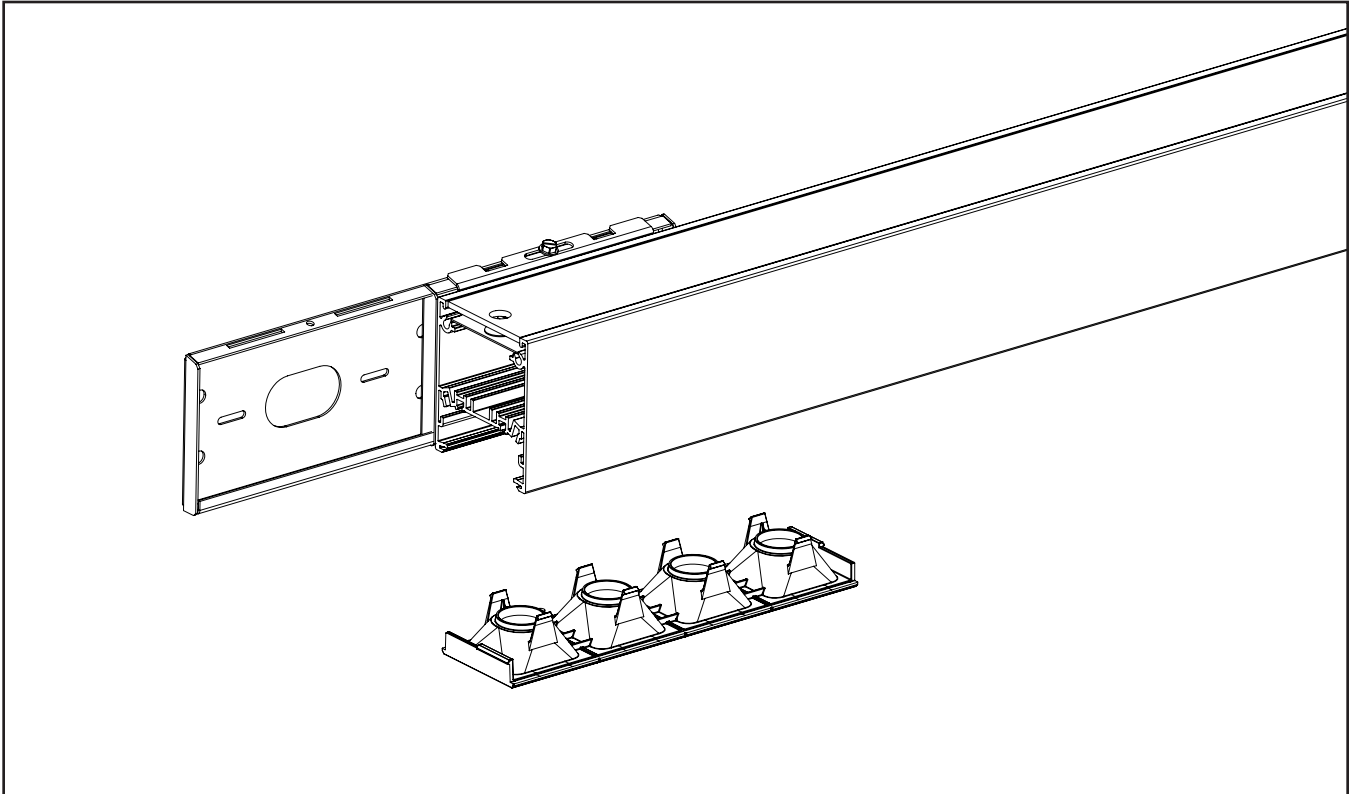
End Cap



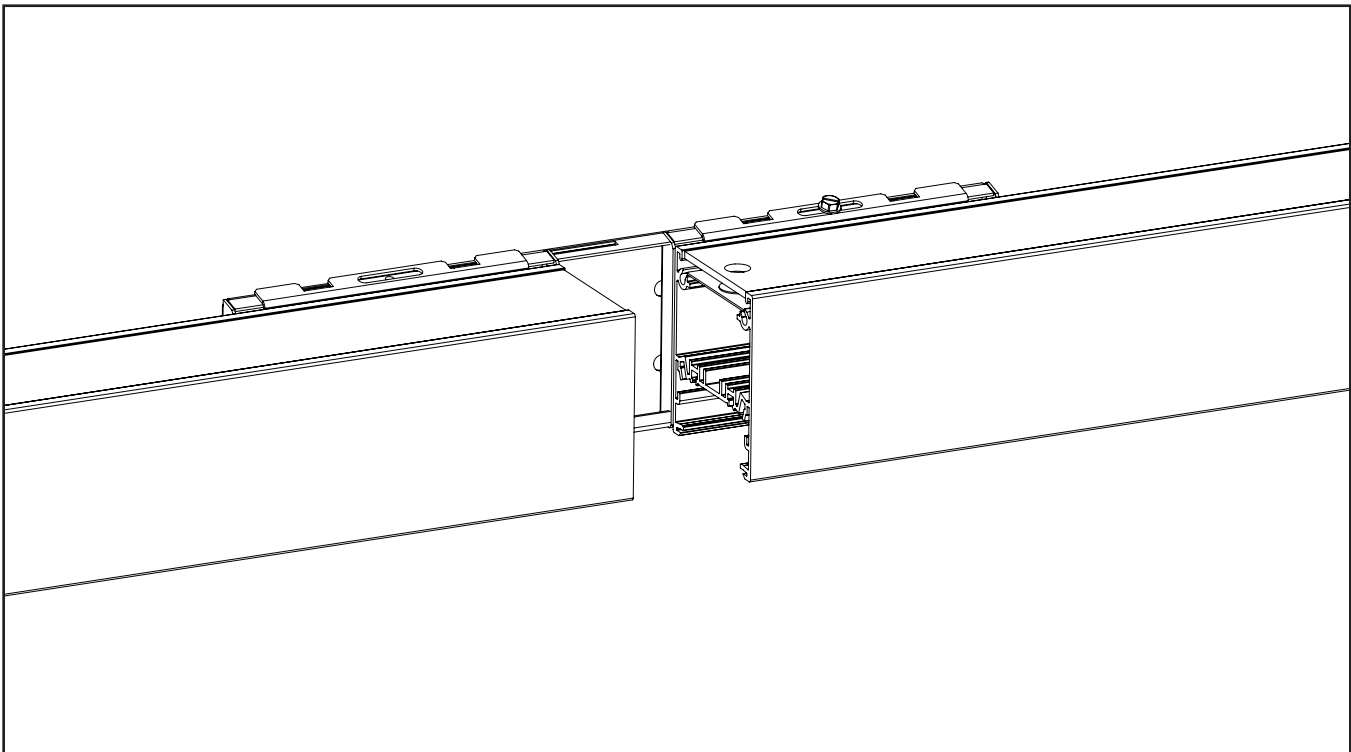
Attach joiners to the extrusion, slide decorative end cap onto joiners and fasten with provided hex head screws. (Figure 14.)



Addendum for joining Discreet fixtures.

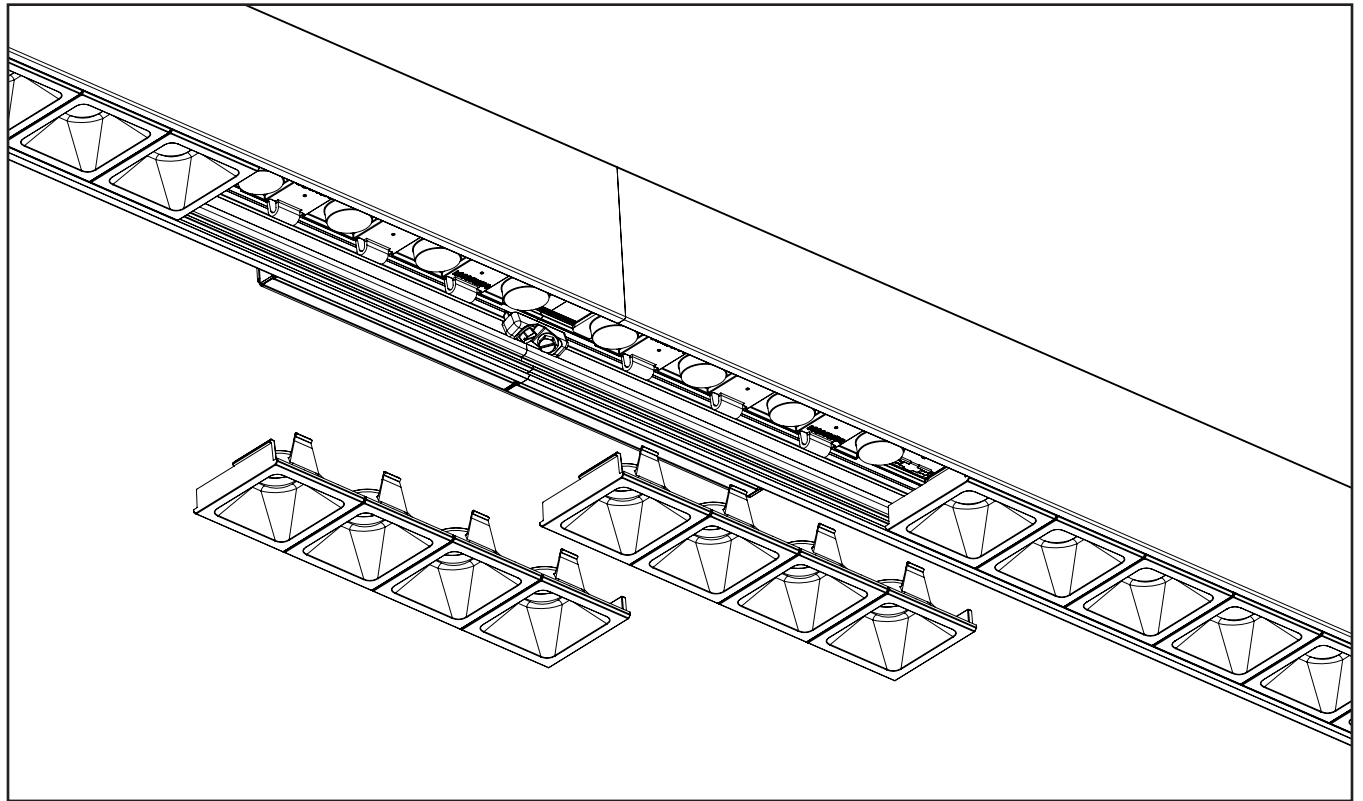


Step 1 - Remove baffles from ends of both fixtures. Secure first fixture to wall bracket.



Step 2 - Hang 2nd fixture and make electrical connections between the two.

Installation Instructions – Continua, SQ, and Discreet Wall Mount Luminaire



Step 3 - Slide fixtures together, secure with cast joiners, and replace baffles.

Warranties and Limitation of Liability

Please refer to www.cooperlighting.com/global/warranty for our terms and conditions.

Garanties et limitation de responsabilité

Veuillez consulter le site www.cooperlighting.com/global/warranty pour obtenir les conditions générales.

Garantías y Limitación de Responsabilidad

Visite www.cooperlighting.com/global/warranty para conocer nuestros términos y condiciones.

FCC Statement

• This device complies with Part 15 of the FCC Rules. Operation is subject to the following two conditions:

- (1) This device may not cause harmful interference.
- (2) This device must accept any interference received, including interference that may cause undesired operation.

Note: The grantee is not responsible for any changes or modifications not expressly approved by the party responsible for compliance. Such modifications could void the user's authority to operate the equipment.

Note: The equipment has been tested and found to comply with the limits for a **Class B** digital device, pursuant to part 15 of the FCC Rules.

These limits are designed to provide reasonable protection against harmful interference in a residential installation. This equipment generates uses and can radiate radio frequency energy and, if not installed and used in accordance with the instructions, may cause harmful interference to radio communications. However, there is no guarantee that interference will not occur in a particular installation. If this equipment does cause harmful interference to radio or television reception, which can be determined by turning the equipment off an on, the user is encouraged to try to correct the interference by one or more of the following measures:

- Reorient or relocate the receiving antenna.
- Increase the separation between the equipment and receiver.
- Connect the equipment into an outlet on a circuit different from that to which the receiver is connected.
- Consult the dealer or an experienced radio/TV technician for help.

This device complies with FCC radiation exposure limits set forth for an uncontrolled environment. This equipment must be installed and operated in accordance with provided instructions and the antenna(s) used for this transmitter must be installed to provide a separation distance of at least 20 cm from all persons.

Cooper Lighting Solutions
18001 East Colfax Ave
Aurora, CO 80011
P: 800-553-3879
www.cooperlighting.com

© 2023 Cooper Lighting Solutions
All Rights Reserved
Printed in USA
Imprimé aux États-Unis
Impreso en los EE. UU.
Publication No. IL52453823ML
September 13, 2023



Cooper Lighting Solutions is a registered trademark. All trademarks are property of their respective owners.

Cooper Lighting Solutions est une marque de commerce déposée. Toutes les autres marques de commerce sont la propriété de leur propriétaire respectif.

Cooper Lighting Solutions es una marca comercial registrada. Todas las marcas comerciales son propiedad de sus respectivos propietarios.

Product availability, specifications, and compliances are subject to change without notice

La disponibilité du produit, les spécifications et les conformités peuvent être modifiées sans préavis

La disponibilidad de productos, las especificaciones y los cumplimientos están sujetos a cambio sin previo aviso