

Installation Instructions - Discreet Recessed

 **WARNING**

Risk of Fire, Electrical Shock, Cuts or other Casualty Hazards- Installation and maintenance of this product must be performed by a qualified electrician. This product must be installed in accordance with the applicable installation code by a person familiar with the construction and operation of the product and hazards involved.



Risk of Fire and Electric Shock- Make certain power is OFF before starting installation or attempting any maintenance. Disconnect power at fuse or circuit breaker.



Risk of Fire- Minimum 90°C supply conductors.



Risk of Burn- Disconnect power and allow fixture to cool before handling or servicing.

Risk of Personal Injury- Due to sharp edges, handle with care.



Risk of Personal Injury- Do not install this product in locations such as gymnasiums, arenas, sports complexes, multi-purpose rooms and other locations where the fixture potentially will be subject to impacts from external sources. Doing so may result in cracking and/or breaking of the fixture which may cause pieces to fall from the application.



Failure to comply with these instructions may result in death, serious bodily injury and property damage.

DISCLAIMER OF LIABILITY: Cooper Lighting Solutions assumes no liability for damages or losses of any kind that may arise from the improper, careless, or negligent installation, handling or use of this product.

IMPORTANT: Read carefully before installing fixture. Retain for future reference.

CAUTION: Fixture may become damaged and/or unstable if not installed properly.


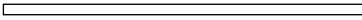



Note: Specifications and dimensions subject to change without notice.












Note: These instructions do not claim to cover all details or variations in the equipment, procedure or process described, nor to provide directions for every possible contingency during installation, operation, or maintenance. When additional information is desired to satisfy a problem not covered sufficiently for user purpose, please contact your nearest representative.

ATTENTION Receiving Department: Note actual fixture description of any shortage or noticeable damage on delivery receipt. File claim for common carrier (LTL) directly with carrier. Claims for concealed damage must be filed within 15 days of delivery. All damaged material, complete with original packing must be retained.

Installation Instructions - Discreet Recessed

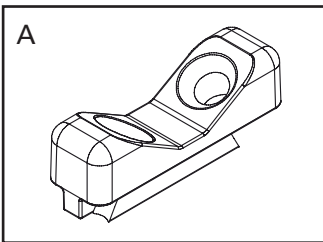
Wiring Table

Power Supply (Input)	
	Black (BK) - Hot
	White (WT) - Neutral
	Green (GN) - Ground
	Violet (VT) - Dimming (+)
	Pink (PK) - Dimming (-)

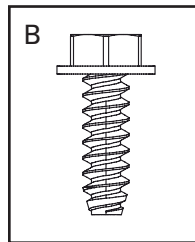
Power Supply (Input) - When Applicable	
	Black/Red (BK/RD) - Emergency Hot
	White/Red (WT/RD) - Emergency Neutral
	Black/Orange (BK/OR) - 2nd Circuit Hot
	White/Orange (WT/OR) - 2nd Circuit Neutral
	Orange (OR) - 2nd Circuit Dimming (+)
	Yellow (YL) - 2nd Circuit Dimming (-)
	Blue (BL) - Battery/Emergency Unswitched Hot
Vivid Tune	
	Violet/White (VT/WT) - 1st Circuit CCT (+)Hot
	Gray/Black (GY/BK) - 1st Circuit CCT (-)
	Black/White (BK/WT) - 2nd Circuit CCT (+)
	White/Yellow - 2nd Circuit CCT (-)

Recommended Equipment:

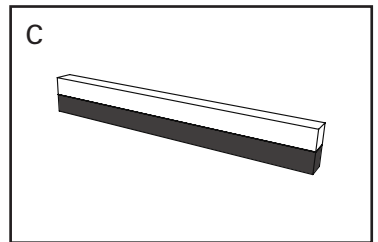
- Hammer
- 1/4" nut driver
- Flathead screwdriver
- Scissors or sharp cutting blade
- Glove



Cast joiner



#8-18 x 1/2
HWH

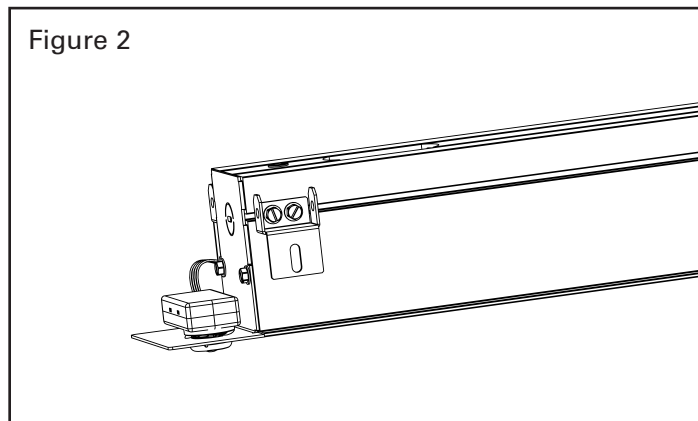
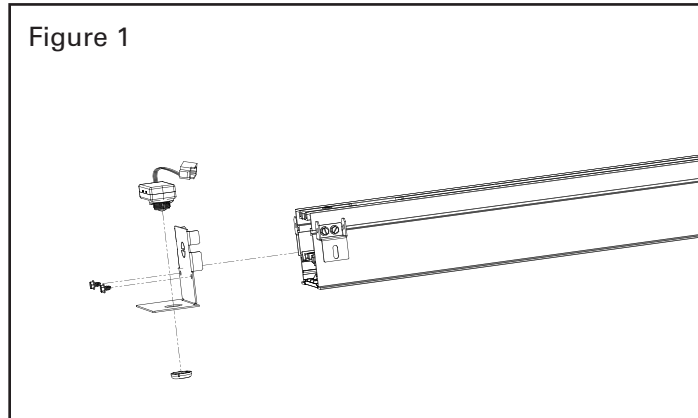


Baffle Gasket

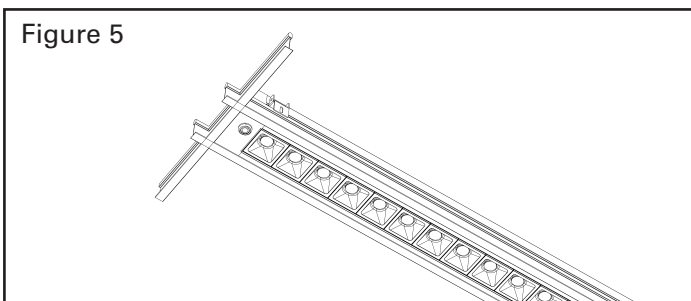
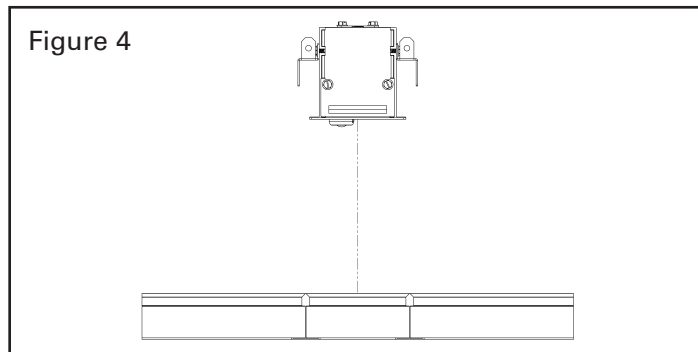
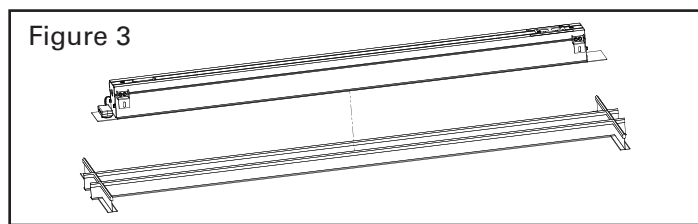
Installation Instructions - Discreet Recessed

Grid Fixture (T1 or T2)

Assemble end plates to fixture. Screw end plate to fixture. If end plate sensor or battery switch are used, remove knockout and route the wires through the hole with a strain relief.

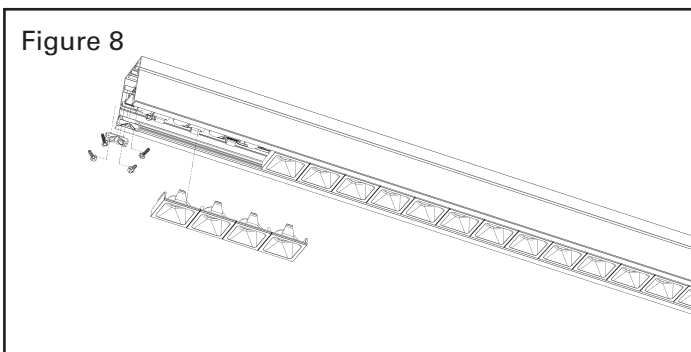
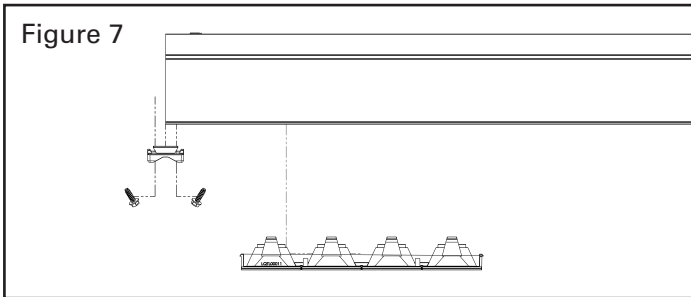
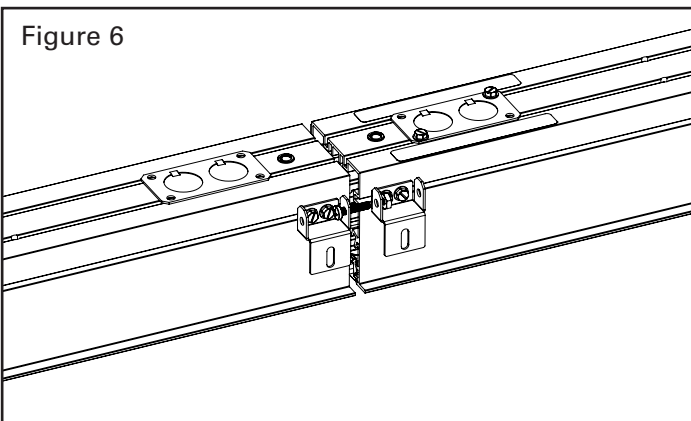


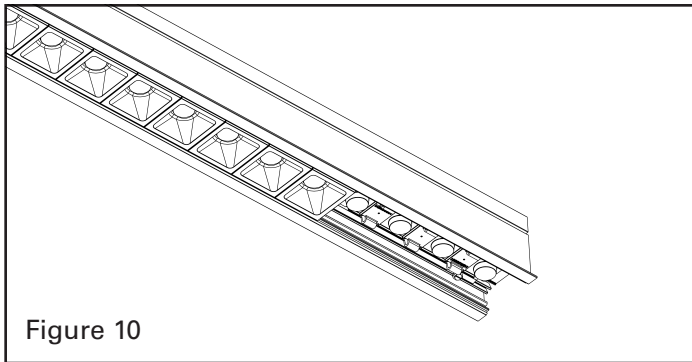
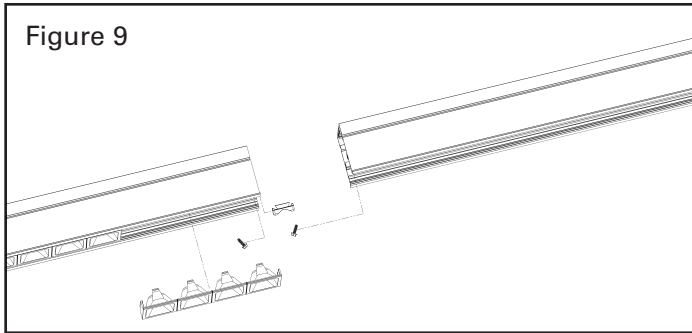
Set the fixture in the grid



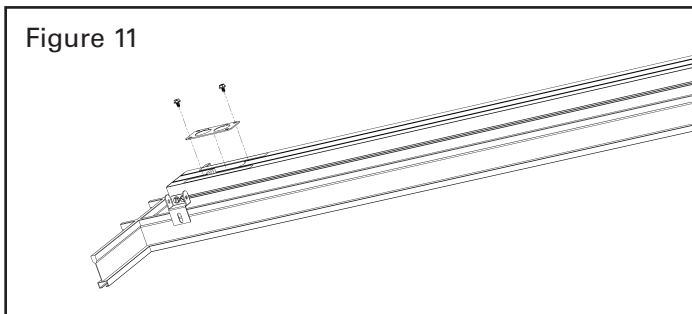
Continuous run

For continuous runs, set the fixtures near each other, and make the electrical connections between the two. Slide the fixtures together, making sure the wires don't get pinched. The fixtures can be secured with either the grid brackets or the cast joiners. To use the grid brackets, tighten an #8-32 bolt and nut to bring the ends together. To use the cast joiners, remove the baffles on both sides of the joint, install the joiners, and reinstall the baffles.

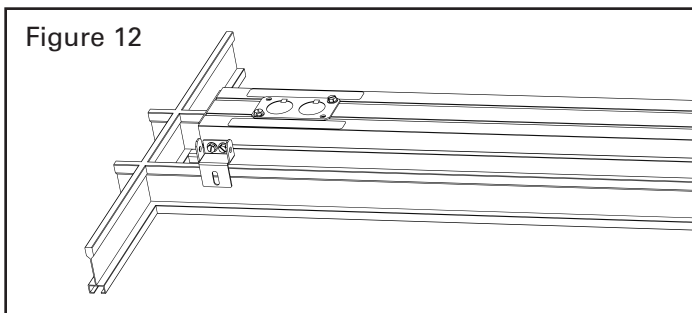




Remove access plate, make electrical connections, and reinstall.

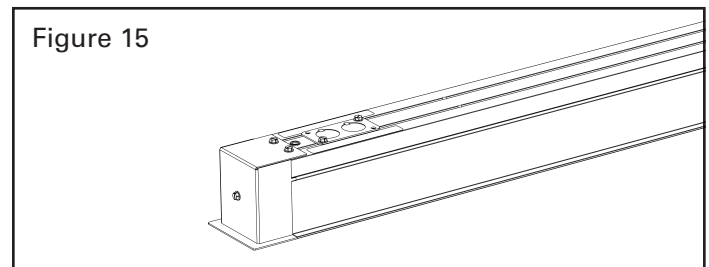
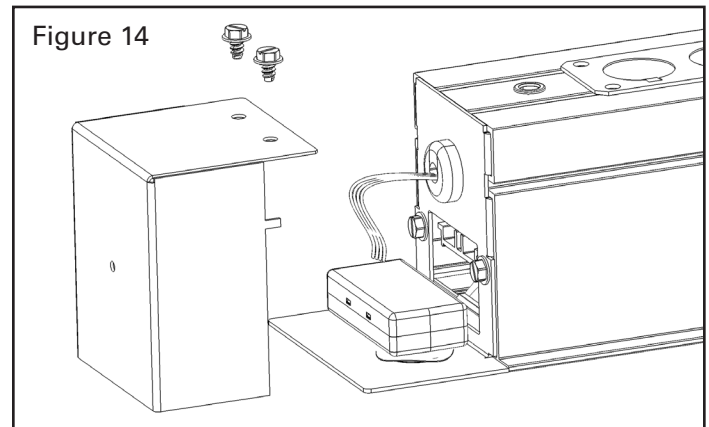
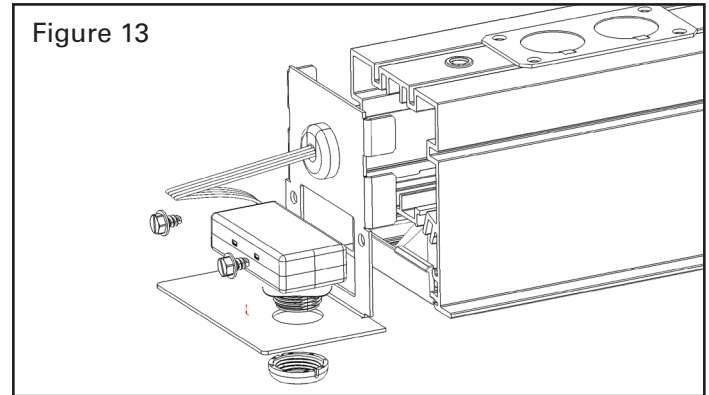


Secure both ends of the fixture using support wire through the grid brackets, according to local building codes (not supplied).

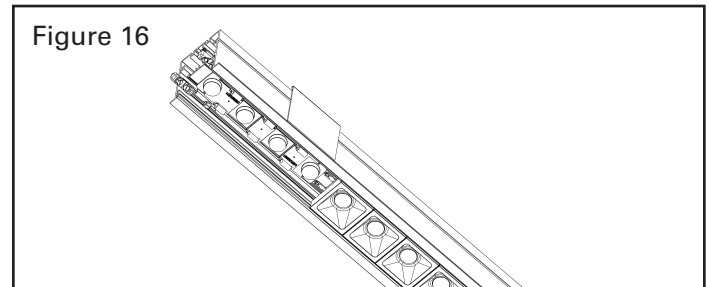


Non-grid Fixture (FG or MD)

Assemble end plates to fixture. Screw end plate to fixture. If end plate sensor or battery switch are used, remove knockout and route the wires through the hole with a strain relief. Install end cover.



Removing the LED tray is required to secure the fixture in the ceiling. To do so, remove the baffles at both ends of the fixture, and in the center if 8ft.



Installation Instructions - Discreet Recessed

Figure 17



Figure 18

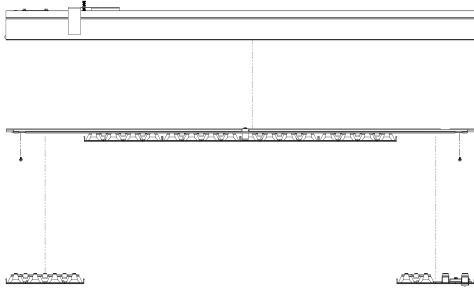
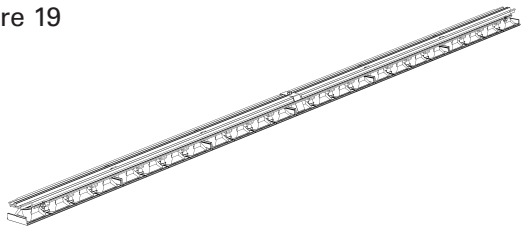


Figure 19



Remove access plate, make electrical connections, and reinstall.

Figure 20

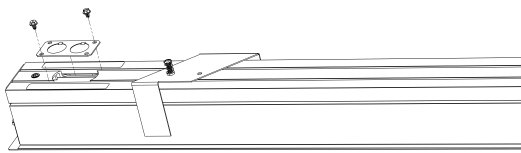
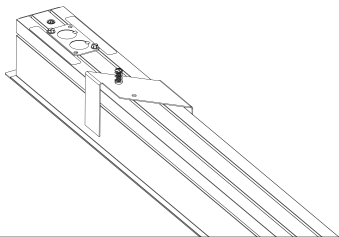


Figure 21



Install housing into ceiling using brackets, all-thread rods, or securing the housing directly to bracing.

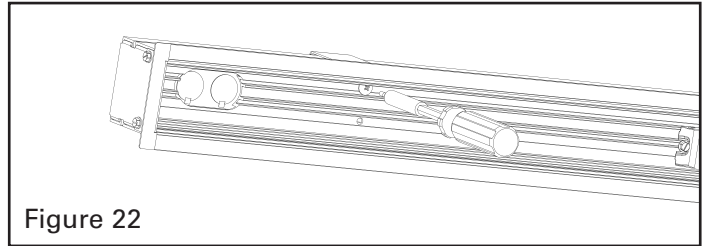
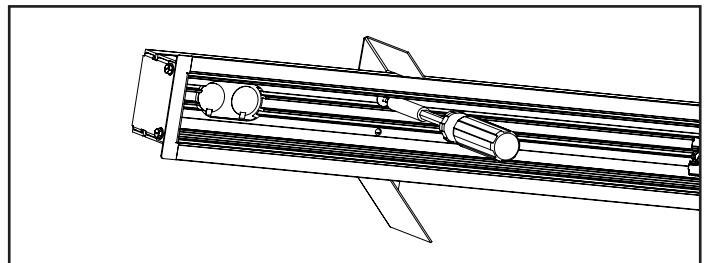


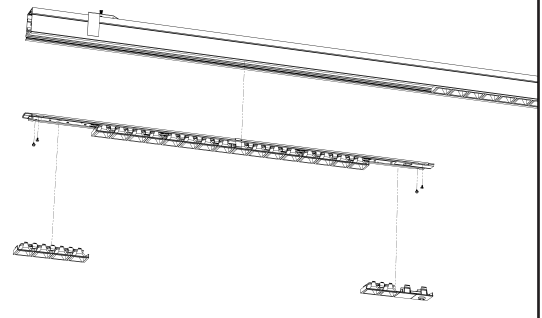
Figure 22

If using the drywall brackets, use a screwdriver to rotate the brackets into position behind the drywall. Tighten the screw to get the flange flush with the ceiling.



For continuous runs, make the electrical connections between the two fixtures. Then slide fixtures together, making sure the wires don't get pinched. Use cast joiners to secure the fixtures.

Figure 23



Reinstall LED trays. Reinstall Baffles.

Remote battery switch

- If a fixture has a battery, a remote battery switch installation may be required.
- Use the supplied battery switch plate to mount the switch in the ceiling.

Warranties and Limitation of Liability

Please refer to www.cooperlighting.com/global/warranty for our terms and conditions.

Garanties et limitation de responsabilité

Veuillez consulter le site www.cooperlighting.com/global/warranty pour obtenir les conditions générales.

Garantías y Limitación de Responsabilidad

Visite www.cooperlighting.com/global/warranty para conocer nuestros términos y condiciones.

FCC Statement

• This device complies with Part 15 of the FCC Rules. Operation is subject to the following two conditions:

- (1) This device may not cause harmful interference.
- (2) This device must accept any interference received, including interference that may cause undesired operation.

Note: The grantee is not responsible for any changes or modifications not expressly approved by the party responsible for compliance. Such modifications could void the user's authority to operate the equipment.

Note: The equipment has been tested and found to comply with the limits for a **Class B** digital device, pursuant to part 15 of the FCC Rules.

These limits are designed to provide reasonable protection against harmful interference in a residential installation. This equipment generates uses and can radiate radio frequency energy and, if not installed and used in accordance with the instructions, may cause harmful interference to radio communications. However, there is no guarantee that interference will not occur in a particular installation. If this equipment does cause harmful interference to radio or television reception, which can be determined by turning the equipment off an on, the user is encouraged to try to correct the interference by one or more of the following measures:

- Reorient or relocate the receiving antenna.
- Increase the separation between the equipment and receiver.
- Connect the equipment into an outlet on a circuit different from that to which the receiver is connected.
- Consult the dealer or an experienced radio/TV technician for help.

This device complies with FCC radiation exposure limits set forth for an uncontrolled environment. This equipment must be installed and operated in accordance with provided instructions and the antenna(s) used for this transmitter must be installed to provide a separation distance of at least 20 cm from all persons.