

Project		Catalog #		Type	
Prepared by		Notes		Date	



Pharos Controls

offered by Cooper Lighting Solutions

Expert Touch 8 (DMX-TS-8-*)

8" Touchscreen that is used in conjunction with the Pharos Expert Controller

Typical Applications

Office • Education • Healthcare • Hospitality • Retail

Interactive Menu

- Order information [page 2](#)
- Specifications and Warranty [page 2](#)
- Features supported by Cooper Controls field tech services [page 3](#)
- Dimensions [page 3](#)
- System Architecture [page 4](#)



Overview

A stunningly elegant touchscreen with a seamless, uninterrupted glass front plate, providing a beautiful interface if your project requires user interaction. The 8" touchscreen receives automatically generated pages via Expert Control, based on programming in Expert software. Easily control your lighting by activating scenes and adjusting intensity for each Space.

With single cable installation, Expert Touch 8 is a Power-over-Ethernet device. Included is a Universal Mounting Plate which is compatible with world-wide back boxes and boasts a secure and ingenious fitting mechanism.

Product Features

- Touch interface with uninterrupted glass front plate
- Straightforward tool-free installation
- Power-over-Ethernet (for power and data)
- Requires Pharos Expert Controller. Not compatible with the WaveLinx Digital Lighting Control System.
- Expert Software
- Reliability
- Designed for 24/7 operation

product diagrams

Order Information



Catalog Number

Catalog Number	Description
DMX-TS-8-BK	Pharos Expert Touch 8 (8" wall mount touchscreen interface), Black (Bayblend T65XF (UL94 HB) RAL 9005 jet black), Pharos P/N: XPT 8 B
DMX-TS-8-WH*	Pharos Expert Touch 8 (8" wall mount touchscreen interface), White (Bayblend T65XF (UL94 HB) RAL 9003 signal white), Pharos P/N: XPT 8 W*

* Default color shipped if unspecified

Required Accessories

All Pharos Expert Touchscreens require Pharos Expert Controller



Catalog Number

Catalog Number	Description
DMX-RDM-CTRL-1	DMX RDM Controller 512 Channels (Pharos XPC 1)
DMX-RDM-CTRL-2	DMX RDM Controller 1,024 Channels (Pharos XPC 2)

Optional Accessories



Catalog Number

Catalog Number	Description
GS308PP	WaveLinx Unmanaged Network Switch with 8 POE+ Ports

Product Specifications

Capabilities

Orientation:

- Landscape and portrait

Layouts:

- Automatically generated page layouts to suite each project's settings from specific project Spaces

Themes:

- Multiple themes to choose from for automatically generated pages, controls, and navigation

Skins:

- Within each theme there are different skins to choose from to fine tune appearance

Secure access:

- Keypad option for PIN-code entry with automatic lock

Commissioning:

- Interface provided from linked Expert Control, commission with Pharos Expert

Interfaces

Ethernet:

- Static IP or DHCP

Touchscreen:

- 8" capacitive touch; 1024x768 24bpp; 500 cd/m2

Mechanical

Size: 7.9" x 6.3" x 1.3" (20 x 16 x 3.2 cm)

Weight: 1.6 lbs (0.7 kg) excludes mounting plate

Environment:

- **Temperature:** 0°C to 50°C (32°F to 122°F)
- **Humidity:** 10-90% relative, non-condensing

Mounting:

- The included mounting plate supports a standard 2-gang or 3-gang electrical box (2.5 in deep)

Ingress: IP40

Electrical

Power:

- PoE (IEEE802.3af, Class 0) 10W typical
- Compatible with the [GS308PP PoE Network Switch](#)

Software and Hardware

Required: Pharos Expert Control

Configuration: Pharos Expert v1.1 or later

Data Storage: Removable MicroSD card (provided)

Recovery: Hardware watchdog and recessed reset button

Reset: Recessed reset button

Standards/Ratings

- CE compliant
- UKCA compliant
- UL/cUL listed
- RoHS

Warranty

Five year warranty

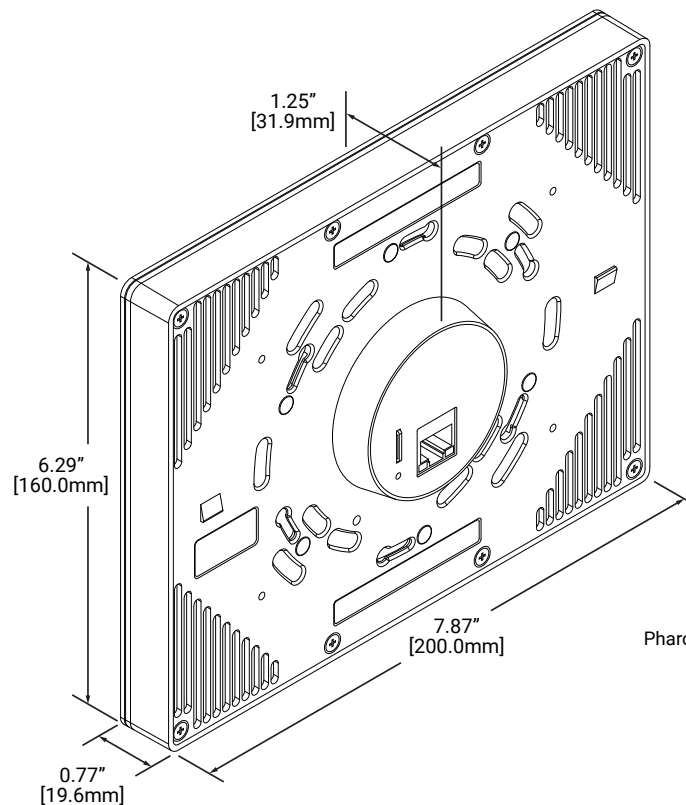
Features supported by Cooper Lighting Solutions Field tech Services*:

- DMX-RDM-CTRL-1 (XPC 1) or DMX-RDM-CTRL-2 (XPC 2) full DMX 512 Universes (Color and Intensity Only)
- POE for XPC
- Onboard Test modes
- Separate Expert Software (Configure XPC and Touchscreen)
- Create Static and Dynamic Scenes
- Create and Edit Schedules from Expert Software
- RDM Support (Auto addressing scheme)
- POE powered Touchscreen (5 in. and 8 in.)
- Network Switch required for communication between XPC and Touchscreen
- Recall Static or Dynamic Scenes from Touchscreen
- View Schedules from Touchscreen

- Enable/Disable All Schedules from Touchscreen
- Passcode Protect Touchscreen
- Color Picker on Touchscreen
- Intensity Fader on Touchscreen
- Color Temperature Fader on Touchscreen (Fixture dependent)

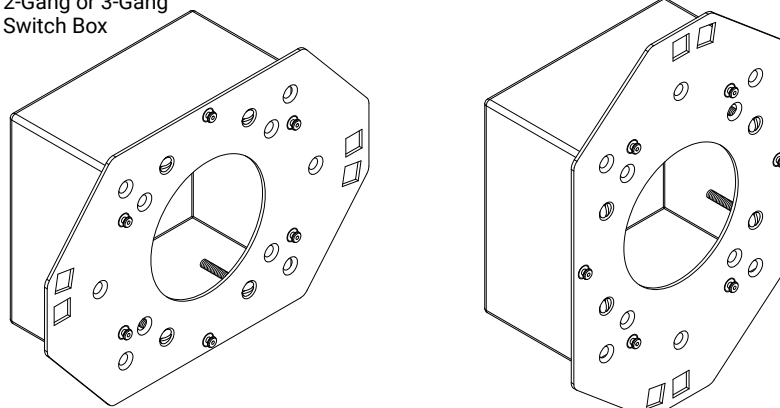
*The Pharos Expert platform includes a broad range of features, some of which extend beyond the scope currently supported by Cooper. These additional capabilities are detailed on the Pharos website (pharoscontrols.com) and are available for use. For any functionality outside Cooper's supported scope, for the Cooper-supplied items, we recommend reaching out to your Cooper Regional Sales Manager (RSM) in advance to ensure the appropriate support and guidance can be provided.

Dimensional Details



Pharos Universal mounting plate 5" included.

North American
2-Gang or 3-Gang
Switch Box



System Architecture

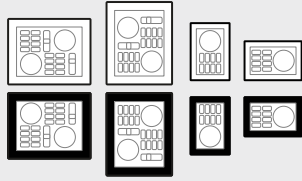
example with
DMX-RDM-CTRL-1

DMX / RDM fixtures

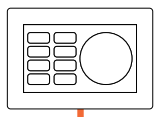
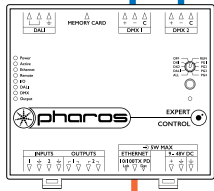
<p>Each DMX/RDM line:</p> <ul style="list-style-type: none"> • Max 32 loads / fixtures • Max 300m / 1000ft • Terminate line with end resistor • Daisy chain topology • Cable: shielded twisted pair, 120Ω (follow fixture manufacturer best practices) <p>Each DMX/RDM universe: (originating at Expert Control)</p> <ul style="list-style-type: none"> • Max 512 channels (Total across local ports) 	<p>Total maximum:</p> <p>512ch. DMX+eDMX</p> <ul style="list-style-type: none"> • Limited by patched channels, not universes used, • Double patching does not consume additional channels • The sum of patched channels on all ports together cannot be larger than 512 channels
---	---

Touchscreen interfaces

- 5" or 8"
- Black or White
- Install Portrait or Landscape
- Maximum 32 stations



**DMX-TS-5-*
or
DMX-TS-8-*
Touchscreen**

**DMX-RDM-CTRL-1
Expert
Controller**



**GS308PP
Network Switch**

PoE
Power

KEY

- DMX cable
- Network with PoE (Cat 5e or better)
- Network (Cat 5e or better)

Optional:
To local network
or PC

