

Project		Catalog #		Type	
Prepared by		Notes		Date	



Pharos Controls

offered by Cooper Lighting Solutions

Express Controller (DMX-RDM-CTRL-*)

Standalone DMX Controller for dynamic architectural lighting

Typical Applications

Office • Education • Healthcare • Hospitality • Retail • Outdoor

Interactive Menu

- Product Features [page 1](#)
- Product Specifications [page 2](#)
- Features supported by Cooper Controls field tech services [page 2](#)
- Product Dimensions [page 3](#)
- System Architecture [page 4](#)



Overview

Express Control offers robust DMX support that is easy to install and easy to use. Delivering up to 1,024 channels for dynamic architectural lighting applications, ideal for intelligent single-scene-per-space playback.

Pharos Express Touchscreens (available in 5" and 8" models) provide elegant, wall-mounted user interfaces for intuitive lighting control, complementing the mobile app experience.

A standalone solution that is not integrated with the WaveLinx Digital Lighting Control solution.

Product Features

- Up to 1024 channels (2 isolated DMX ports, RDM compatible)
- Intuitive software for setting up and creating your lighting design (available via Pharos). No PC needs to be left on site
- Installer-friendly installation (including mounting)
- Design for 24/7 operation
- Compatible with Pharos Express Touch touchscreens (supports upto 32 Express Touch devices)

[product diagrams](#)

Order Information

Catalog Number

Catalog Number	Description
DMX-RDM-CTRL-1	DMX RDM Controller 512 Channels (Pharos XPC 1)
DMX-RDM-CTRL-2	DMX RDM Controller 1,024 Channels (Pharos XPC 2)

Optional Accessories

Catalog Number

Catalog Number	Description
GS308PP	WaveLinX Unmanaged Network Switch with 8 POE+ Ports

Product Specifications

Supported Fixtures

LEDs:

- LEDs in any color configuration (RGB, RGBW, RGBA, 8-bit, 16-bit, tunable white)

Generic:

- Downlights, spotlights, uplights, etc. via controllable dimmers and relays

Output

DMX512:

- 2 ports (max 512 channels each) ANSI E1.11-2008
- Max. 32 loads / fixtures per DMX line
- DMX-RDM-CTRL-1 supports a total of 512 channels. The sum of patched channels across the 2 local ports cannot exceed 512.
- DMX-RDM-CTRL-2 supports a total of 1,024 channels. The sum of patched channels across the 2 local ports cannot exceed 1,024 (with 512 channels the maximum for each local port).

RDM:

- Supports discovery and addressing via Express software

Supported Interfaces

DMX512:

- Two individually isolated DMX ports, RDM compatible

Ethernet:

- RJ45 socket for 10/100Base-TX Ethernet with Link/Data LEDs;
- Static IP or DHCP

Rotary Dial:

- A rotatory dial for switching to customizable preprogrammed states or test setups

Push Button:

- For test mode intensity and pairing of touch screens

Express Touch:

- Stylish auto-generated touchscreen interfaces via Touch 5 and Touch 8, elegant installation-friendly PoE wall stations

Mechanical

Size: 4.2" x 3.5" x 1.6" (10.8 x 9 x 4 cm)

Weight: 0.5 lbs (0.2 kg)

Environment:

- **Temperature:** 0°C to 50°C (32°F to 122°F)
- **Humidity:** 10-90% relative, non-condensing

Mounting:

- Compatible with a 35mm x 7.5 mm DIN rail
- Incorporated keyhole hangers

Ingress: IP40

Electrical

Power:

- PoE (IEEE802.3af, Class 2) 4W typical
- Compatible with the [GS308PP PoE Network Switch](#)

Software and Hardware

Configuration: Pharos Express

Data Storage: Removable MicroSD card (provided)

Recovery: Hardware watchdog and recessed reset button

Standards/Ratings*

- CE compliant
- UKCA compliant
- UL/cUL listed
- May be used as part of a California Title 24 compliant lighting control system

Warranty

Five year warranty

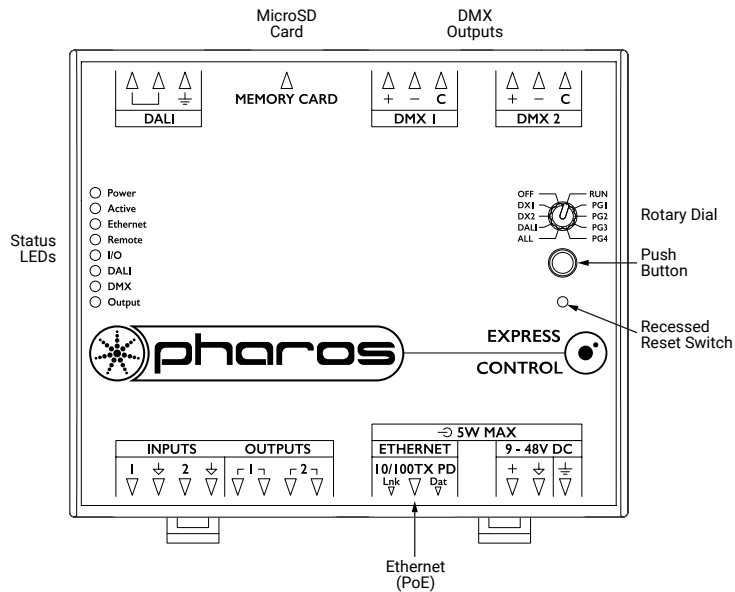
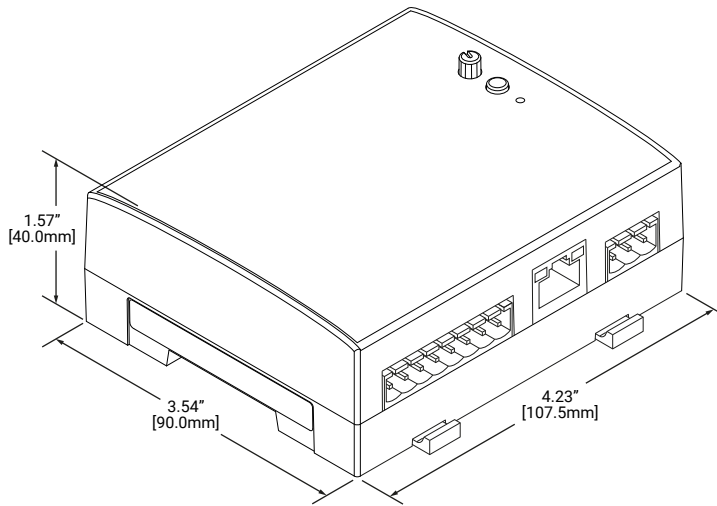
Features supported by Cooper Lighting Solutions Field tech Services*:

- DMX-RDM-CTRL-1 (XPC 1) or DMX-RDM-CTRL-2 (XPC 2) full DMX 512 Universes (Color and Intensity Only)
- POE for XPC
- Onboard Test modes
- Separate Express Software (Configure XPC and Touchscreen)
- Create Static and Dynamic Scenes
- Create and Edit Schedules from Express Software
- RDM Support (Auto addressing scheme)
- POE powered Touchscreen (5 in. and 8 in.)
- Network Switch required for communication between XPC and Touchscreen
- Recall Static or Dynamic Scenes from Touchscreen
- View Schedules from Touchscreen

- Enable/Disable All Schedules from Touchscreen
- Passcode Protect Touchscreen
- Color Picker on Touchscreen
- Intensity Fader on Touchscreen
- Color Temperature Fader on Touchscreen (Fixture dependent)

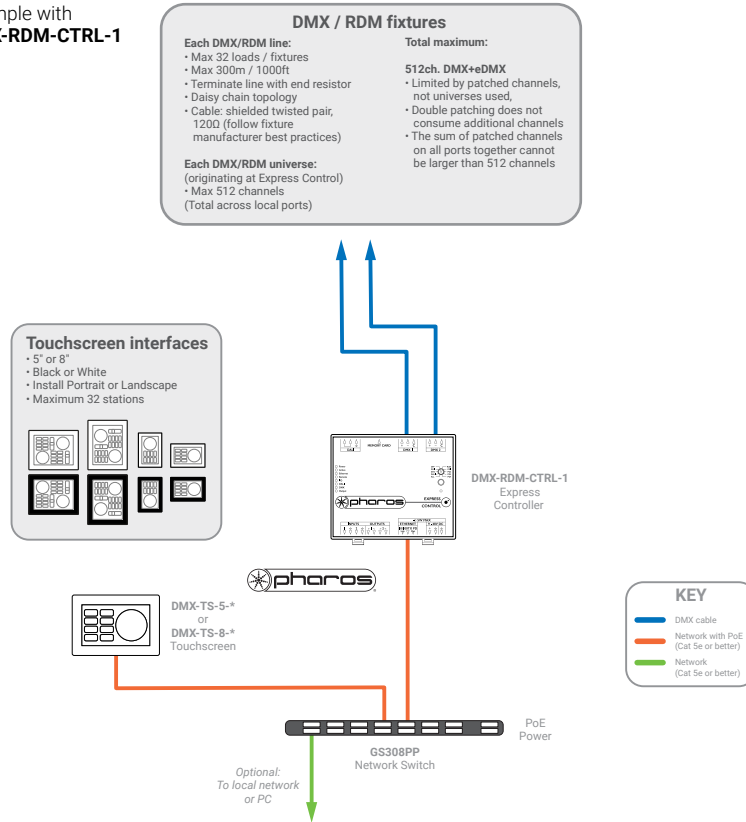
*The Pharos Express platform includes a broad range of features, some of which extend beyond the scope currently supported by Cooper. These additional capabilities are detailed on the Pharos website (pharoscontrols.com) and are available for use. For any functionality outside Cooper's supported scope, for the Cooper-supplied items, we recommend reaching out to your Cooper Regional Sales Manager (RSM) in advance to ensure the appropriate support and guidance can be provided.

Dimensional Details



System Architecture

example with
DMX-RDM-CTRL-1



example with
DMX-RDM-CTRL-2

