

DESCRIPTION

Lanterra 1002-A1 (one head) and 1002-A2 (2 head) is a small 2.5" O.D., line voltage Accent Flood light with dimmable LED. It is available with adjustable rear center swivel with lock rotation providing 180 degree tilt and 340 degree rotation. The luminaire comes with various mounting, field replaceable optics. It also comes with various lens, louvers and colors or dichroic filters, which can combine up to two at once to create multiple lighting effects. The fixture may be used indoors or outdoors and carries IP66 rating.

SPECIFICATION FEATURES

Material

Housing, hood and mounting stem are precision-machined from corrosion resistant billet stock 6061-T6 aluminum, C360 brass, C932 bronze*, C110 copper or 303/304 stainless steel.

Finish

Fixtures constructed from 6061-T6 aluminum are double protected by an ROHS* compliant chemical film undercoating and polyester powder coat paint finish, surpassing the rigorous demands of the outdoor environment. A variety of standard colors are available.

Natural Metals

Fixtures constructed from brass, bronze, copper or stainless steel are left unpainted to reveal the natural beauty of the material. Brass, bronze and copper will patina naturally over time.

Hood

Hood is removable and accepts up to two internal accessories at once (lenses, louvers and filters) to achieve multiple lighting effects. Weep holes prevents water and mineral stains from collecting on the lens, even in the

straight up position. The flush lens design reduces fixture length, minimizes debris collection and prevents water and mineral stains from collecting on the lens.

Gasket

Housing and hood are sealed with high temperature silicone O-ring gasket to prevent water intrusion.

Lens

Tempered glass lens, factory sealed with high temperature silicone O-ring to prevent water intrusion and breakage due to thermal shock.

Hardware

Stainless steel hardware is standard to provide maximum corrosion resistance.

Electrical

Long life LED system coupled with electronic driver (120-277V/50-60Hz) is compatible with TRIAC (Leading Edge Dimming), ELV (Trailing Edge Dimming) and 0-10V dimming to deliver optical performance. Light can be dimmed from 100-1% while maintaining constant CCT. It will operate in -30°C to 50°C unless noted otherwise. The driver incorporates

| | | | |
|-------------|--|------|--|
| Catalog # | | Type | |
| Project | | Date | |
| Comments | | | |
| Prepared by | | | |

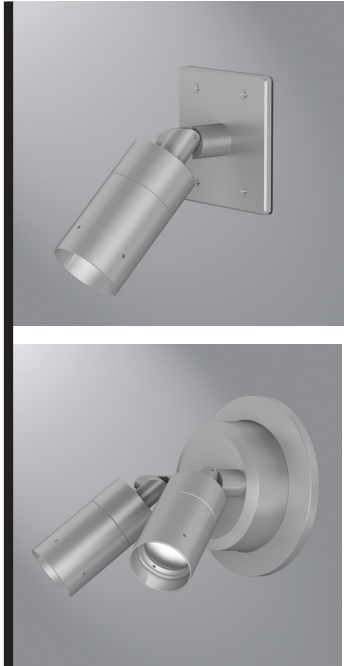
surge protection. LED's are available in 2700K, 3000K, 3500K at 90CRI and 97CRI, 4000K at 80CRI and 97CRI, 5000K at 80CRI and are industry leading high output with 86% lumen maintenance at 60,000hrs.

Compliance

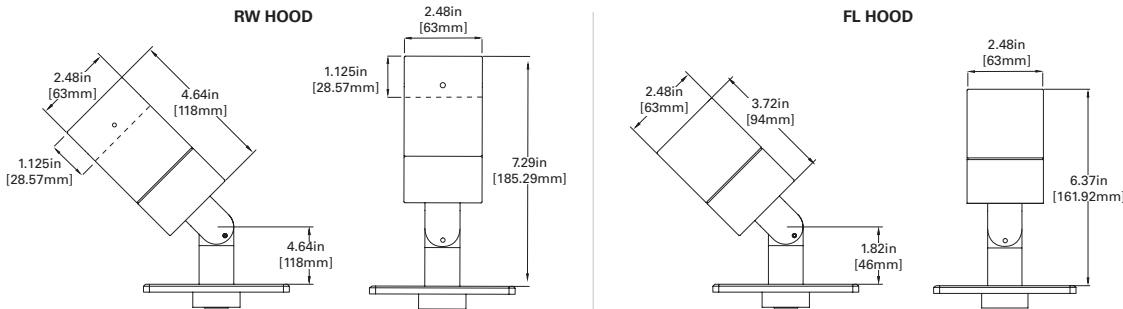
Components are UL recognized and luminaires are cULus listed for 50°C ambient environments unless noted otherwise, wet location listed, and ROHS* compliant. IP66 Rated. BABA domestic preference option meets BABA requirements. BABA products meet minimum government compliance requirements for Buy America Build America standard, part of the Infrastructure and Investment Jobs Act (IIJA). Individual government agencies may have more stringent compliance standards.

Warranty

Lumiere warrants the Lanterra series of fixtures against defects in material and workmanship for five (5) years. Auxiliary equipment such as LED drivers carries the original manufacturer's warranty.



DIMENSIONS



ORDERING INFORMATION

Lanterra 1002

LED
INTERIOR / EXTERIOR
ACCENT FLOOD LIGHT
CERTIFICATION DATA
cULus - 1598
Wet Location Listed - IP66
LM79/LM80 Compliant
ROHS* Compliant
10W LED, L70/90,000 @ 25° Celcius



| DOMESTIC PREFERENCES* | SERIES | NUMBER OF HEADS | KNUCKLE STYLE | HOOD | LED CCT & CRI | FIELD REPLACEABLE OPTIC | FINISH | LIGHT LEVEL | VOLTAGE | MOUNTING | OPTIONS |
|-----------------------|--------|------------------------|---|---|--|---|---|------------------------|--------------|---|---|
| [Blank]= Standard | 1002 | A1 1 Head A2 2 Head | RCS Rear Center Swivel with Lock Rotation | RW Standard-Recessed Lens with weep holes - Outdoor RI Recessed Lens with no weep holes - Indoor FL Flush lens hood | Standard CRI LED2790 - 2700K, 90 CRI LED3090 - 3000K, 90 CRI LED3590 - 3500K, 90 CRI LED4080 - 4000K, 80 CRI LED5080 - 5000K, 80 CRI Premium CRI LED2797 - 2700K, 97 CRI LED3097 - 3000K, 97 CRI LED3597 - 3500K, 97 CRI LED4097 - 4000K, 97 CRI | S Spot M Medium F Flood W Wide | Standard Paint Finish BK Black BZ Bronze CS City Silver WT White Premium Metal ¹ NBR Natural Brass NBZ Natural Bronze* NCP Natural Copper NSS Natural Stainless Steel | L1 Light Level 1 (10W) | UNV 120-277V | Surface Mount - Wall, Ceiling, Ground RSM Round Surface Mount- mounts directly to junction box. Recessed - Ground Mount MB Ground Mount Recessed Box - Rectangular Housing 10x6x6 (MB Box) Remote Driver Housing WRR ^{2,5} Remote Driver Housing - Round Wall Plate WRS ^{2,5} Remote Driver Housing - Square Wall Plate TSR2 ^{2,5} Tree Strap Mount to attach to (1-4) WRx housing series Integral Driver Mount WIS Wall Integral Driver Plate Thermal Limitations (unless otherwise noted 45C) 1002-A1-xxx-L1-xxx-WIS (50C) | SVPD2 ³ Standalone integral sensor |

Notes: 1. Premium Metal not available for RSM Mount Option
 2. Only available for single head option (A1)
 3. Only available for single head option (A1) with RSM mounting only
 4. A2 doubles input wattage listed

5. Remote Driver up to 60"
 6. Only product configurations with these prefixes are built to be compliant with the Buy America Act of 1933 (BAA) or Buy America Build America Act (BABA). Please see the Compliance section in Product Specifications for more detail.
 * ROHS Compliant - For Natural materials consult factory

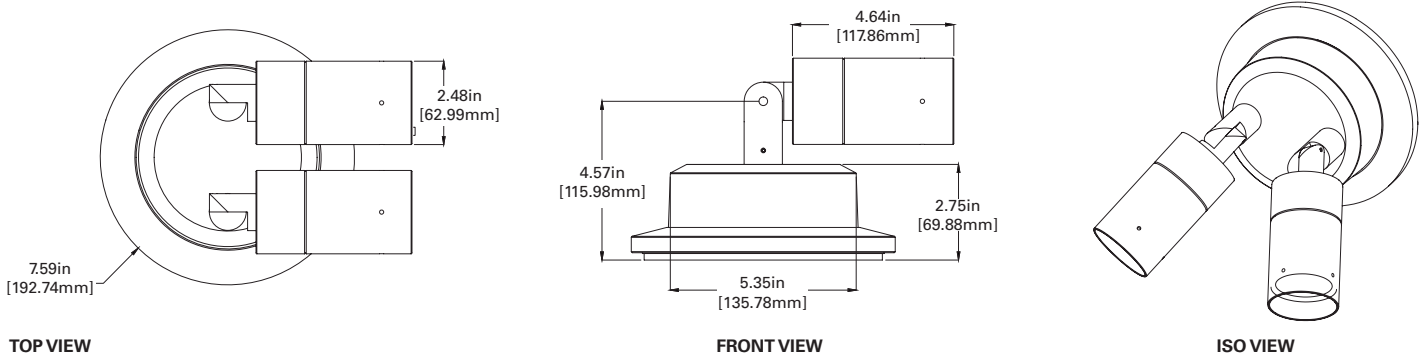
ACCESSORIES - ORDER SEPARATELY

| | | ACCESSORIES | | | OPTICS |
|-----------|------------------------------------|--|---|--|---|
| ISHH01LUM | Programming Remote for sensor | Filters F71-2 Peach Dichroic F72-2 Amber Dichroic F73-2 Green Dichroic F74-2 Medium Blue F75-2 Yellow Dichroic F76-2 Red Dichroic F77-2 Dark Blue Dichroic F78-2 Light Blue Dichroic F79-2 Neutral Density Dichroic F80-2 Magenta Dichroic F22-2 Red Color F33-2 Blue Color F44-2 Green Color F55-2 Yellow Color F66-2 Mercury Color | Lens LSL-2 Linear Spread Lens DIF-2 Diffused Lens OSL-2 Overall Spread Lens | Louwer LVR-2 45° Hex Cell Louwer | LLR-S-2 15° Spot |
| ISHH02LUM | Personal Control Remote for sensor | | | | LLR-M-2 25° Medium |
| | | | | | LLR-F-2 40° Flood |
| | | | | | LLR-W-2 55° Wide Flood |
| | | | | | LLR-K-2 Spot, Medium, Flood, Wide Flood kit |

MOUNTINGS

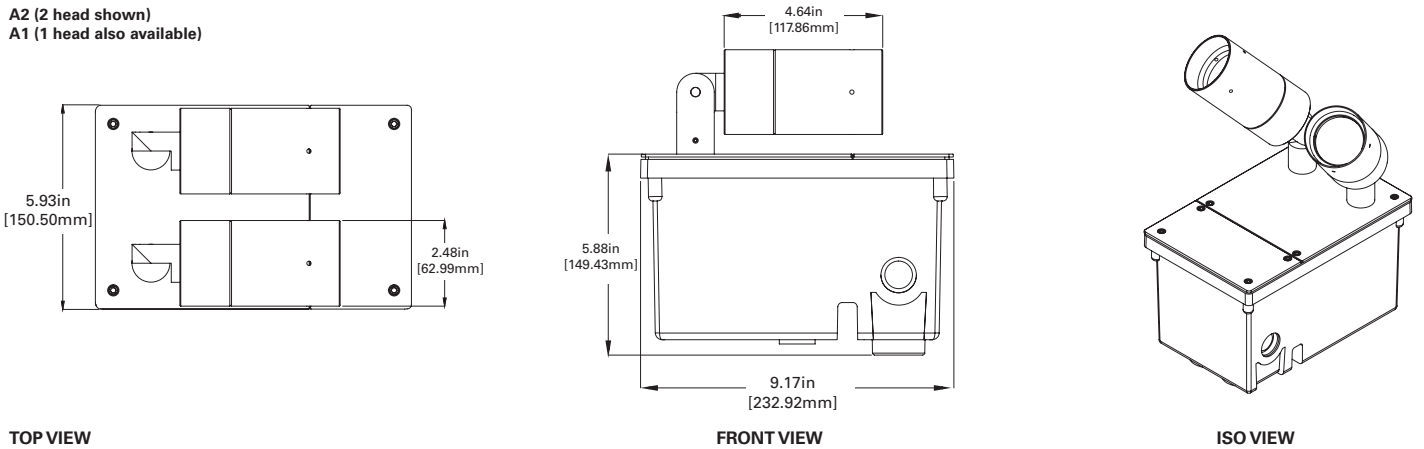
ROUND SURFACE MOUNT (RSM)

A2 (2 head shown)
A1 (1 head also available)

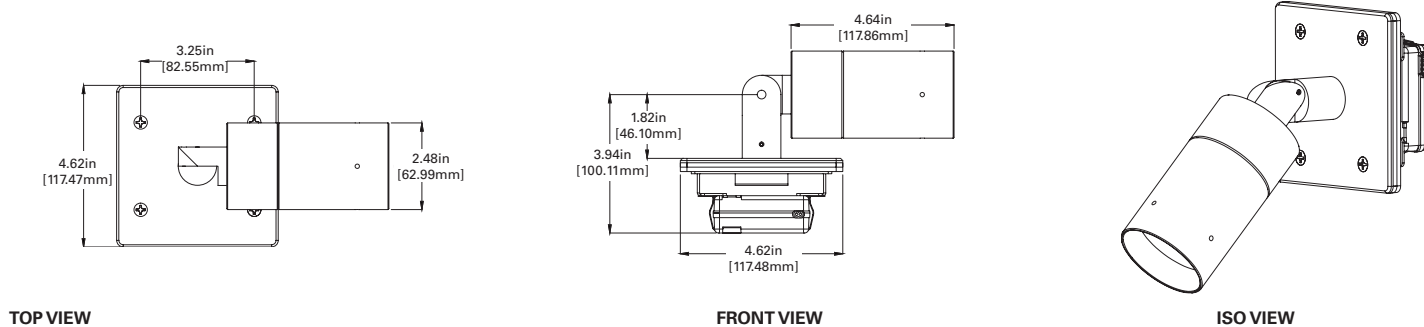


GROUND MOUNT RECESSED BOX (MB)

A2 (2 head shown)
A1 (1 head also available)

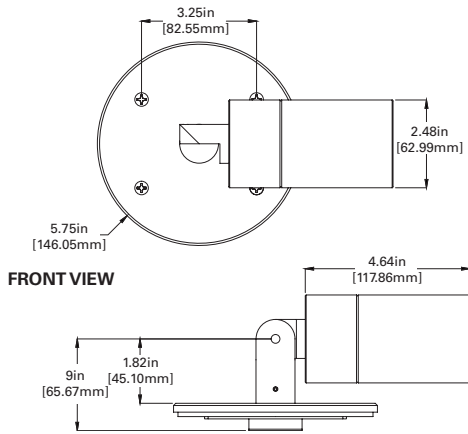


WALL INTEGRAL DRIVER PLATE (WIS)

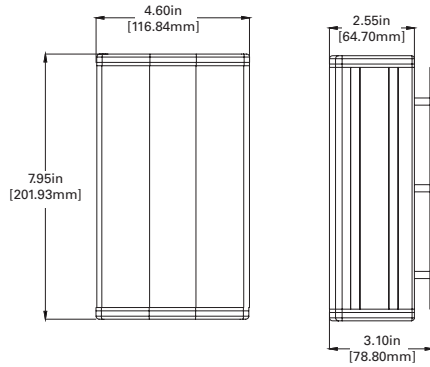


REMOTE DRIVER HOUSING ROUND WALL (WRR)

Also available as WRS (wall remote square)

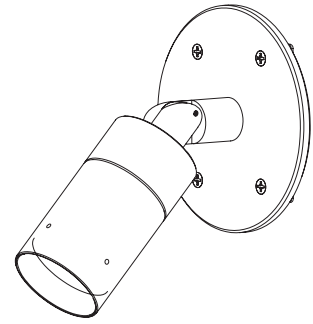


FRONT VIEW



Remote Driver distance up to 60'

REMOTE BOX

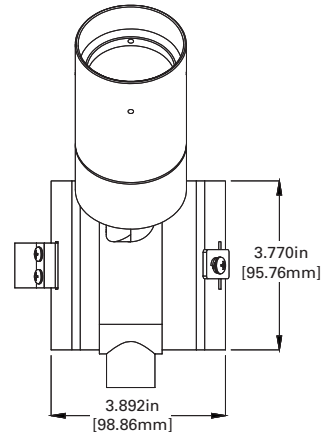


ISO VIEW

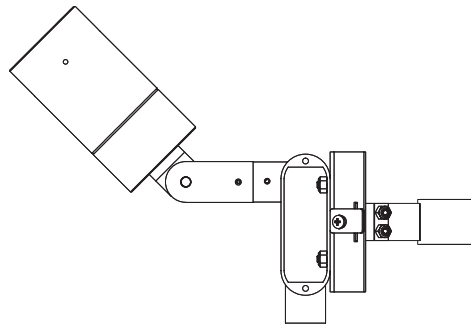
TREE STRAP MOUNT (TSR2-X)

2 head shown (available up to 4 heads)

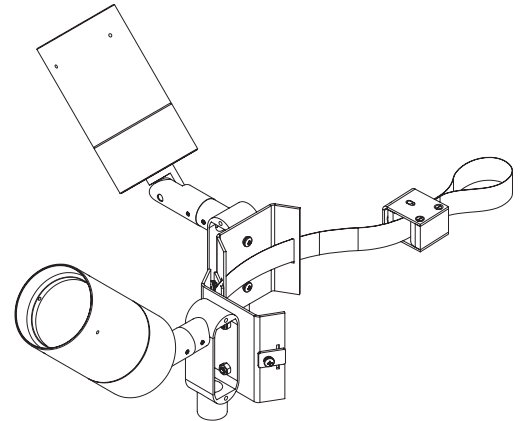
TREE STRAP WITH FIXTURE MOUNTED



FRONT VIEW

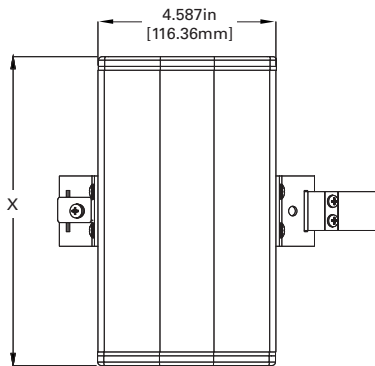


SIDE VIEW

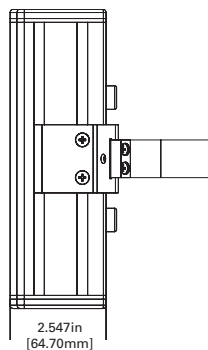


ISO VIEW (TSR2-2 shown)

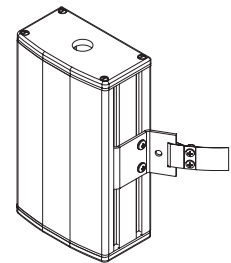
REMOTE DRIVER HOUSING STRAP



FRONT VIEW



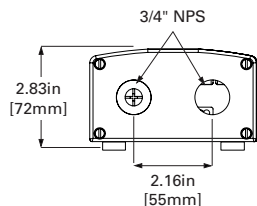
SIDE VIEW



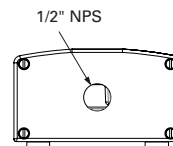
ISO VIEW

X = 7.95in [202mm], for up to 2 head configurations

X = 12.05in [306mm], for 3-4 head configurations



BOTTOM VIEW

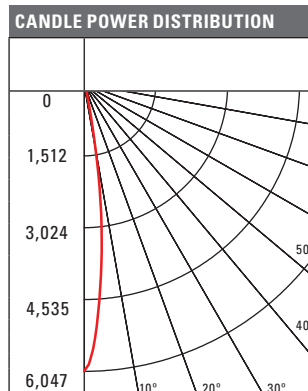
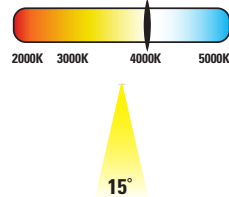


TOP VIEW

PHOTOMETRICS

| | |
|--------------|---|
| Test Number | P29421 |
| Lumcat | 1002-[A1, P1, S1, SU1, W1]-X-FL-LED4080-S-BK-L1-UNV |
| Lumens | 458 Lm |
| Watts | 10 W |
| LPW | 45.8 Lm/W |
| CCT | 4000K |
| SC (0/90/45) | 0.24 / 0.24 / 0.24 |
| Beam Angle | 14° |

| COLOR METRIC SUMMARY | |
|----------------------|------------------------|
| TM-30-15 | Rf = 82.6 Rg = 93.8 |
| CRI/CIE | Ra = 84.2 R9 = 15.1 |

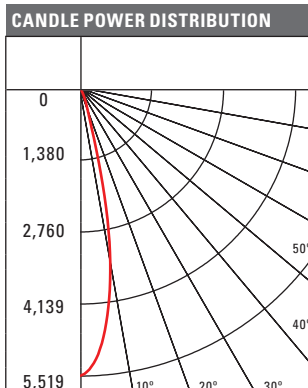
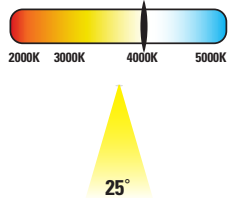


| CONE OF LIGHT | | | | |
|---------------------------------|--------|-----|-----|--|
| Horizontal Illuminance on Floor | | | | |
| MH | FC | L | W | |
| 2' | 1511.8 | 0.4 | 0.4 | |
| 4' | 377.9 | 0.8 | 0.8 | |
| 6' | 168 | 1.4 | 1.4 | |
| 8' | 94.5 | 1.8 | 1.8 | |
| 10' | 60.5 | 2.4 | 2.4 | |
| 15' | 26.9 | 3.6 | 3.6 | |
| 20' | 15.1 | 4.8 | 4.8 | |
| 30' | 6.7 | 7.2 | 7.2 | |
| 40' | 3.8 | 9.6 | 9.6 | |

| CANDELA TABLE | |
|---------------|-------|
| Angle | 0-deg |
| 0 | 6047 |
| 5 | 4064 |
| 10 | 1430 |
| 15 | 292 |
| 20 | 137 |
| 30 | 21 |
| 40 | 7 |
| 50 | 3 |
| 60 | 2 |
| 70 | 1 |
| 80 | 0 |
| 90 | 0 |

| | |
|--------------|---|
| Test Number | P29422 |
| Lumcat | 1002-[A1, P1, S1, SU1, W1]-X-FL-LED4080-M-BK-L1-UNV |
| Lumens | 985 Lm |
| Watts | 10 W |
| LPW | 98.5 Lm/W |
| CCT | 4000K |
| SC (0/90/45) | 0.4 / 0.4 / 0.36 |
| Beam Angle | 23.1° |

| COLOR METRIC SUMMARY | |
|----------------------|------------------------|
| TM-30-15 | Rf = 82.6 Rg = 93.8 |
| CRI/CIE | Ra = 84.2 R9 = 15.1 |

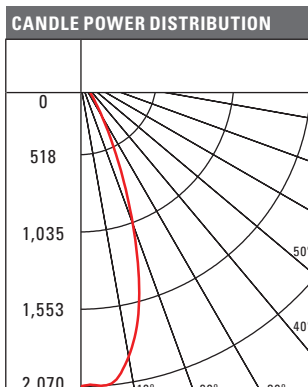
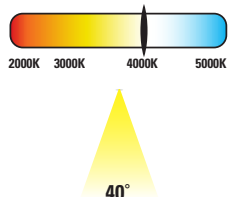


| CONE OF LIGHT | | | | |
|---------------------------------|--------|------|------|--|
| Horizontal Illuminance on Floor | | | | |
| MH | FC | L | W | |
| 2' | 1379.8 | 0.6 | 0.6 | |
| 4' | 344.9 | 1.4 | 1.4 | |
| 6' | 153.3 | 2.2 | 2.2 | |
| 8' | 86.2 | 3 | 3 | |
| 10' | 55.2 | 3.8 | 3.8 | |
| 15' | 24.5 | 5.8 | 5.8 | |
| 20' | 13.8 | 7.8 | 7.8 | |
| 30' | 6.1 | 11.8 | 11.8 | |
| 40' | 3.4 | 15.8 | 15.8 | |

| CANDELA TABLE | |
|---------------|-------|
| Angle | 0-deg |
| 0 | 5519 |
| 5 | 4909 |
| 10 | 3391 |
| 15 | 1302 |
| 20 | 457 |
| 30 | 133 |
| 40 | 22 |
| 50 | 6 |
| 60 | 2 |
| 70 | 1 |
| 80 | 0 |
| 90 | 0 |

| | |
|--------------|---|
| Test Number | P29423 |
| Lumcat | 1002-[A1, P1, S1, SU1, W1]-X-FL-LED4080-F-BK-L1-UNV |
| Lumens | 1015 Lm |
| Watts | 10W |
| LPW | 101.5 Lm/W |
| CCT | 4000K |
| SC (0/90/45) | 0.66 / 0.66 / 0.63 |
| Beam Angle | 40.3° |

| COLOR METRIC SUMMARY | |
|----------------------|------------------------|
| TM-30-15 | Rf = 82.6 Rg = 93.8 |
| CRI/CIE | Ra = 84.2 R9 = 15.1 |

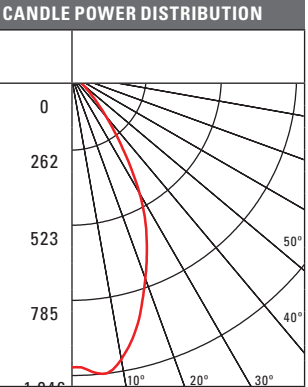
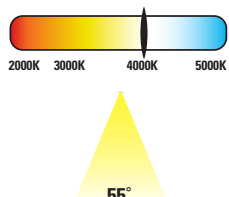


| CONE OF LIGHT | | | | |
|---------------------------------|-------|------|------|--|
| Horizontal Illuminance on Floor | | | | |
| MH | FC | L | W | |
| 2' | 517.5 | 1.2 | 1.2 | |
| 4' | 129.4 | 2.6 | 2.6 | |
| 6' | 57.5 | 3.8 | 3.8 | |
| 8' | 32.3 | 5.2 | 5.2 | |
| 10' | 20.7 | 6.6 | 6.6 | |
| 15' | 9.2 | 9.8 | 9.8 | |
| 20' | 5.2 | 13.2 | 13.2 | |
| 30' | 2.3 | 19.8 | 19.8 | |
| 40' | 1.3 | 26.4 | 26.4 | |

| CANDELA TABLE | |
|---------------|-------|
| Angle | 0-deg |
| 0 | 2070 |
| 5 | 2070 |
| 10 | 1900 |
| 15 | 1547 |
| 20 | 1048 |
| 30 | 306 |
| 40 | 60 |
| 50 | 11 |
| 60 | 3 |
| 70 | 2 |
| 80 | 0 |
| 90 | 0 |

| | |
|--------------|---|
| Test Number | P29424 |
| Lumcat | 1002-[A1, P1, S1, SU1, W1]-X-FL-LED4080-W-BK-L1-UNV |
| Lumens | 947 Lm |
| Watts | 10 W |
| LPW | 94.7 Lm/W |
| CCT | 4000K |
| SC (0/90/45) | 0.87 / 0.87 / 0.88 |
| Beam Angle | 57.1° |

| COLOR METRIC SUMMARY | |
|----------------------|------------------------|
| TM-30-15 | Rf = 82.6 Rg = 93.8 |
| CRI/CIE | Ra = 84.2 R9 = 15.1 |



| CONE OF LIGHT | | | | |
|---------------------------------|-------|------|------|--|
| Horizontal Illuminance on Floor | | | | |
| MH | FC | L | W | |
| 2' | 257.5 | 1.6 | 1.6 | |
| 4' | 64.4 | 3.4 | 3.4 | |
| 6' | 28.6 | 5 | 5 | |
| 8' | 16.1 | 6.8 | 6.8 | |
| 10' | 10.3 | 8.6 | 8.6 | |
| 15' | 4.6 | 12.8 | 12.8 | |
| 20' | 2.6 | 17.2 | 17.2 | |
| 30' | 1.1 | 25.8 | 25.8 | |
| 40' | 0.6 | 34.4 | 34.4 | |

| CANDELA TABLE | |
|---------------|-------|
| Angle | 0-deg |
| 0 | 1018 |
| 5 | 1042 |
| 10 | 1005 |
| 15 | 896 |
| 20 | 754 |
| 30 | 477 |
| 40 | 189 |
| 50 | 56 |
| 60 | 13 |
| 70 | 2 |
| 80 | 0 |
| 90 | 0 |

| | | | | | | | | | |
|---------------|---------|---------|---------|---------|---------|---------|---------|---------|---------|
| CCT/CRI | LED2790 | LED3090 | LED3590 | LED4080 | LED5080 | LED2797 | LED3097 | LED3597 | LED4097 |
| FC Multiplier | 0.757 | 0.802 | 0.869 | 1.000 | 1.092 | 0.722 | 0.773 | 0.813 | 0.833 |

LUMEN TABLE

| | | 1002-[A1, P1, S1/SU1, W1] Regressed Hood - Black L1 - 10W | | |
|---------------------------------|---------|---|--------|-------|
| | | CBCP | Lumens | LPW |
| S Spot 15° | LED2790 | 4566 | 358 | 35.8 |
| | LED3090 | 4837 | 379 | 37.9 |
| | LED3590 | 5236 | 411 | 41.1 |
| | LED4080 | 6028 | 473 | 47.3 |
| | LED5080 | 6581 | 516 | 51.6 |
| | LED2797 | 4350 | 341 | 34.1 |
| | LED3097 | 4657 | 365 | 36.5 |
| | LED3597 | 4898 | 384 | 38.4 |
| | LED4097 | 5022 | 394 | 39.4 |
| M Medium Flood 25° | LED2790 | 4252 | 724 | 72.4 |
| | LED3090 | 4505 | 767 | 76.7 |
| | LED3590 | 4877 | 831 | 83.1 |
| | LED4080 | 5614 | 956 | 95.6 |
| | LED5080 | 6129 | 1044 | 104.4 |
| | LED2797 | 4051 | 690 | 69.0 |
| | LED3097 | 4337 | 739 | 73.9 |
| | LED3597 | 4562 | 777 | 77.7 |
| | LED4097 | 4677 | 797 | 79.7 |
| F Flood 40° | LED2790 | 1604 | 746 | 74.6 |
| | LED3090 | 1699 | 791 | 79.1 |
| | LED3590 | 1840 | 856 | 85.6 |
| | LED4080 | 2118 | 985 | 98.5 |
| | LED5080 | 2312 | 1076 | 107.6 |
| | LED2797 | 1528 | 711 | 71.1 |
| | LED3097 | 1636 | 761 | 76.1 |
| | LED3597 | 1721 | 801 | 80.1 |
| | LED4097 | 1764 | 821 | 82.1 |
| W Wide Flood 55° | LED2790 | 798 | 685 | 68.5 |
| | LED3090 | 846 | 726 | 72.6 |
| | LED3590 | 916 | 785 | 78.5 |
| | LED4080 | 1054 | 904 | 90.4 |
| | LED5080 | 1151 | 987 | 98.7 |
| | LED2797 | 761 | 653 | 35 |
| | LED3097 | 814 | 699 | 69.9 |
| | LED3597 | 856 | 735 | 73.5 |
| | LED4097 | 878 | 753 | 75.3 |

TM30 DATA

| 1002 | CCT/CRI | Rf | Rg | Ra | R9 |
|------|---------|------|-------|------|------|
| | 2790 | 91.8 | 100 | 93.8 | 66.3 |
| | 3090 | 91.3 | 99.1 | 92.1 | 62.6 |
| | 3590 | 90.4 | 98.7 | 92.5 | 65.5 |
| | 4080 | 82.6 | 93.8 | 84.2 | 15.1 |
| | 5080 | 81.4 | 93.3 | 83.8 | 14 |
| | 2797 | 94.7 | 100.3 | 98.2 | 92.7 |
| | 3097 | 94 | 100.1 | 98.6 | 94.2 |
| | 3597 | 93 | 99.6 | 98.2 | 95.3 |
| | 4097 | 91.1 | 97.8 | 95.9 | 87.7 |

LUMEN MAINTENANCE

| Ambient Temperature | TM-21 Lumen Maintenance (60,000 Hours) | Theoretical L70 (Hours) |
|---------------------|--|-------------------------|
| 25°C, 40°C, 50°C | > 86% | > 90,000 |

POWER TABLE

| Number of Heads | Light Level | Input Current (A) at 120 VAC | Input Current (A) at 277 VAC | Input Power (W) |
|-----------------|-------------|------------------------------|------------------------------|-----------------|
| A1 | L1 | 0.08 | 0.03 | 10 |
| A2 | L1 | 0.16 | 0.06 | 20 |

INTEGRATED SENSOR - SVPD2

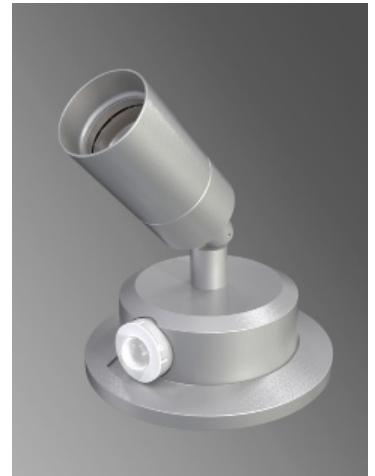
The Lanterra Accent 1002 with Integrated Sensor technology provides automatic energy savings without sacrificing performance. Traditionally, these types of energy savings required coordination between the luminaire and a lighting control system. The Lanterra Accent 1002 delivers superior lighting with integrated PIR occupancy sensing and daylighting controls.

Capture the benefits of traditional lighting controls, without complicated circuit planning or special wiring. The Lanterra Accent 1002 delivers automatic ON to an energy saving light level, while ensuring lighting is turned OFF when the space is unoccupied.

The SVPD2 sensor is configured for outdoor use, so the integral daylight sensor will enable the luminaire to automatically adjust to daylight conditions by turning off when sufficient sunlight is present. Consult factory for indoor configuration.

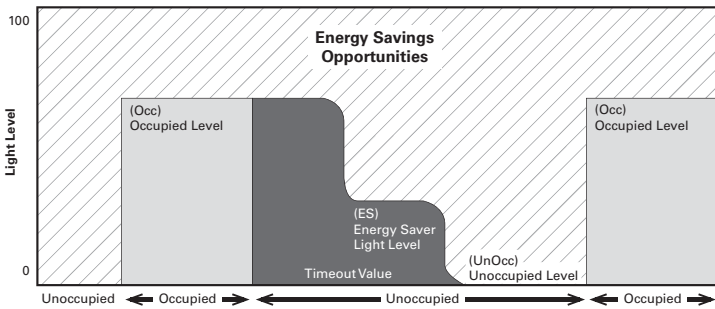
Occupied light levels and unoccupied light levels can be adjusted using the integrated sensor programming remote (Catalog Number: ISHH01LUM). While the default unoccupied level is OFF, a lower light level can be saved instead using the programming remote. The integrated sensor personal remote (Catalog Number: ISHH02LUM) provides code compliant manual raise, lower, ON, OFF control.

The Lanterra Accent 1002 with Integrated Sensor is easy to install with no special wiring and ensures energy savings out-of-the-box with default control settings.



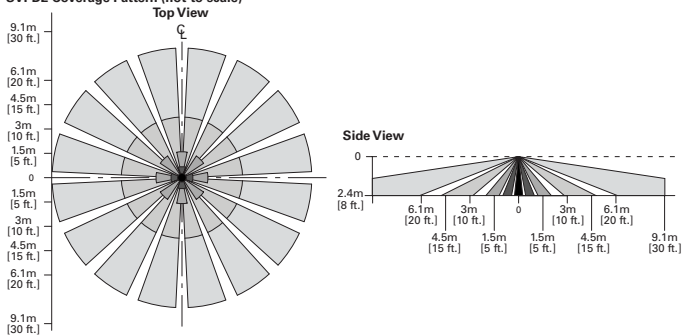
HOW IT WORKS

- As the user enters the space controlled by the integral sensor, the lighting turns ON to the occupied light level.
- Lighting will remain at the occupied level until the space is unoccupied. This will start the occupancy timeout period (default 20 minutes).
- If the space remains unoccupied for half of the timeout period, the lighting will automatically reduce to the Energy Saver light level (default matches occupied level). This adjustable light level is often set to half of the occupied daylight level using the programming remote.
- At the end of the timeout period the lighting will go to the unoccupied light level. This adjustable light level uses the OFF default setting.
- If sufficient sunlight is present, the luminaire will remain OFF, regardless of occupancy.

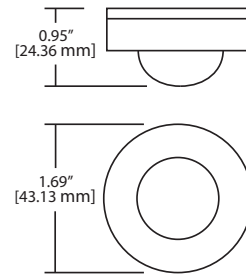


Coverage

SVPD2 Coverage Pattern (not to scale)



Sensor Dimensions



Optional Remote Controls



ISHH01LUM Programming Remote



ISHH02LUM Personal Control Remote