

Project		Catalog #		Type	
Prepared by		Notes		Date	



Fail-Safe

FVS8

High Abuse / Vandal Resistant
 8" Wide / 3.75" Deep
 2', 3', 4', 8' Lengths
 Polycarbonate Lens
 Surface, Ceiling or Wall

Typical Applications:

Vandal Resistant • Schools • Dormitories • Locker Rooms • Shower Facilities • Restrooms • Canopies • Corridors • Public Spaces • Maintenance Facilities • Mezzanines • Behavioral Health

Interactive Menu

- Order Information [page 2](#)
- Product Specifications [page 3](#)
- Product Warranty

Top Product Features

- Cold-rolled steel or brushed stainless steel housing available
- 8" nominal width, 3.75" depth - 2', 3', 4', 8' lengths
- Up to 14,000 lumens from a 4' length fixture
- Continuous row utilizing end knock-outs
- 16 ga. steel housing (FVS8P). 18 ga. steel (FVS8M) standard
- Internal occupancy sensor available, behind the lens
- Damp location standard, wet location under covered ceiling available
- Opal smooth or clear prismatic polycarbonate lens. Lifetime lens warranty. IK10 impact resistance rating.
- Options to meet Buy American Act requirements
- **Ligature resistant**; ceiling mount
- 10-Day Quick Spec available. Ship 10 days from receipt of PO

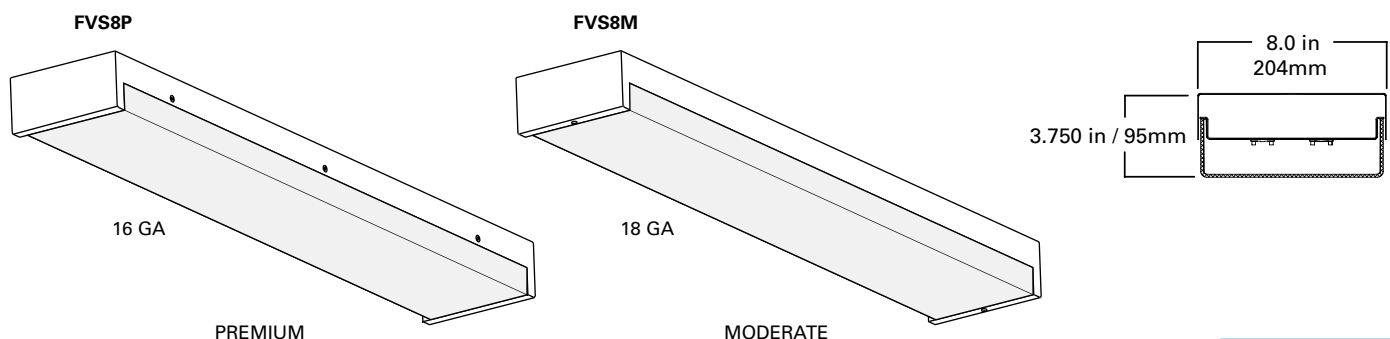
Product Certification



Product Features



Dimensional and Mounting Details



[additional product diagrams](#)

Order Information

SAMPLE NUMBER : FVS8M-8-LD4-3STD-35-UNV-OPL-EDC1-EL7W

SAMPLE NUMBER : FVS8P-4-LD4-2STD-30-120-P187-EDC1-OS1-WL

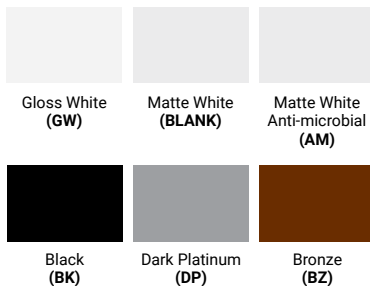
10-DAY QUICK SPEC SAMPLE NUMBER: QS-FVS8M-4-LD4-2STD-30-UNV-P125-EDC1

Gray bar denotes available with 10-Day Quick Spec

Domestic Preferences ⁽¹⁾	Product Family		Length	LED	No. of LEDs	Illumination Level
[Blank] =Standard BAA =Buy American Act	FVS8 =High Abuse 8" Wide Surface Luminaire QS-FVS8 =High Abuse 8" Wide Surface Luminaire, Quick Spec ⁽²⁾	M =Moderate P =Premium	2=2' length 3=3' length 4=4' length 8=8' length	LD4 =Linear LED, Version 4	1=1 row LED module in X-section 2=2 rows LED module in X-section 3=3 rows LED module in X-section	LO =Low STD =Standard HI =High
Notes (1) Only product configurations with this designated prefix are built to be compliant with the Buy American Act of 1933 (BAA). Please refer to DOMESTIC.PREFERENCES website for more information. Components shipped separately may be separately analyzed under domestic preference requirements.	Notes (2) 10 day ship date, from receipt of clean PO to ship date. 25 unit maximum per PO. QS only available with shaded options. QS with EL14W emergency option is only available in 4ft length with 2LO, or 2STD.					

Color Temperature	Voltage	Lens	Driver	Options	Finish
30=3000K 35=3500K 40=4000K 50=5000K	120=120 Volt 277=277 Volt UNV=120-277 Volt	P125 =.125" Clear polycarbonate prismatic lens P187 =.187" Clear polycarbonate prismatic lens OPL =.125" Polycarbonate smooth opal lens	EDC1 =Electronic driver, Non-Dimming, 1 circuit EDC2 =Electronic driver, Non-Dimming, 2 circuits EDD1 =Electronic driver, Dimming 10%, 1 circuit EDD2 =Electronic driver, Dimming 10%, 2 circuits ED1D1 =Electronic driver, Dimming 1%, 1 circuit ED1D2 =Electronic driver, Dimming 1%, 2 circuits	EL7W =7 watt EM Pack ⁽³⁾ EL14W =14 watt EM Pack ⁽³⁾ SHP =Stainless steel, painted housing SHB =Stainless steel, brushed housing OS1 =Internal Occupancy Sensor (behind lens), connected to one LED module. Specify 120 or 277 voltage. ⁽⁴⁾ OS2 =Internal Occupancy Sensor (behind lens), connected to two LED modules. Specify 120 or 277 voltage. ⁽⁴⁾ WL =Wet location, listed under covered ceiling GW =Gloss white finish on exposed surfaces AM =Anti-microbial finish on exposed surfaces NTP =Non-tamper proof screws 90 =90CRI. (Not available in 3ft length).	Standard Colors [Blank] =Matte White AM =Antimicrobial Matte White GW =Gloss White DP =Dark Platinum, Satin Finish BK =Black, Satin Finish BZ =Bronze Architectural Colors TCB =Terra Cotta Brick MRR =Merlot Red PMK =Pumpkin GLD =Goldenrod SGG =Sage Green EVG =Evergreen CBL =Coastal Blue NTB =Night Blue UMB =Ultramarine Blue PPV =Purple Violet NTN =Neutral Tan DBG =Dark Beige CRM =Cream SLG =Silver Grey OLG =Olive Green MHB =Mahogany Brown RALxxxx =RAL Number Color ⁽⁵⁾
				Notes (3) 2HI, 3STD, 3HI not available with EL7W or EL14W. (4) OS1 and OS2 require 120 or 277 to be specified in the ordering logic.	Notes (5) Replace XXXX with unique 4 digit RAL number. Please contact Fail-Safe Tech for a list of additional finish swatches.

Fail-Safe Standard Colors



Fail-Safe Architectural Colors



Product Specifications

Fasteners

- **FVSP** - Captive, stainless steel, countersunk, flush, tamperproof, T20 TORX @-head screws prevent unauthorized access. Screw heads painted to match housing color/finish.
- **FVSM** - 2 white T20 TORX screws prevent unauthorized access.

Housing

- Die-formed 16 ga. Steel (FVS4P), 18 ga. Steel (FVS4M) with welded and ground ends. Stainless steel housing available.

Finish

- Matte white electrostatically applied, white powder coat finish.
- Gloss white and anti-microbial white painted finish available.
- Electrostatically applied, matte white powder coat finish; gloss white, silver, black, bronze, dark platinum available; Custom colors available (supply RAL number, paint chips, or paint manufacturer catalog number). 16 architectural colors available.

Gasket

- Concealed, polyurethane end gaskets inhibit the entrance of environmental contaminants.

Lens

- Nominal 0.125", UV stabilized, clear Pattern 12, impact-resistant, prismatic polycarbonate refractor for high efficiency, low surface brightness and maximum strength.
- Opal smooth available. .187" thick clear Pattern 12 prismatic polycarbonate available.
- Lifetime Lens Warranty.

LEDs

- Available with 3000K, 3500K, 4000K, 5000K with minimum of 80CRI. 90 CRI available (except 3' lengths)
- Projected life is 50,000 hours at 70% lumen maintenance.

Lens Retention

- The FVS8P double-wall lens channel captivates lens to prevent unauthorized fixture penetration. Screws along each side to ensure maximum lens captivation. FVS8M incorporates (2) tamper resistant screws, one on each endcap.

Transformer/Driver

- Electronic driver 120V-277V, 0-10V. Dimming available 10% and 1%.

Compliance

- UL listed for damp location, wet location listed under covered ceiling optional.

Warranty

- 5 Year warranty on LED's and electrical
- Fail-Safe will repair or replace any vandal resistant / high abuse luminaire, that is deemed non-functional due to physical damage to the luminaire exterior housing or polycarbonate lens. The luminaire must be installed correctly, and the warranty does not include any interior component, nor does it include damage due to gunfire, paint, caustic material / chemicals, disastrous or abnormal events.

Nominal Input Watts

FVS8	Fixture Length	# Modules in Cross-Section/ Illumination Level	Nominal InputWatts	Nominal Delivered Lumens (4000K)
FVS8	2'	2LO	23.7	2545
		2STD	33.5	3403
		2HI	44.2	4155
		3LO	36.0	3810
		3STD	50.6	5067
		3HI	66.5	5902
	3'	2LO	40.7	4606
		2STD	54.7	5908
		2HI	69.3	7087
		3LO	61.5	6896
		3STD	82.5	8834
		3HI	104.9	10575
4'	2LO	45.5	5193	
	2STD	64.9	6956	
	2HI	85.4	8506	
	3LO	68.8	7284	
	3STD	98.5	10425	
	3HI	129.5	12667	

* Nominal input wattage values include LED voltage, drive currents and typical driver efficiency.
 * Refer to LM 79 data/photometric files for exact delivered lumen values and input wattage.
 Values in table are nominal values only.

Approximate Lumen Multiplier

Tested with P125 lens	
P187	0.92
OPL	0.60

Lumen Calculator

Approximate CCT Multiplier	
3000K	0.98
3500K	1.00
4000K	1.00
5000K	1.01

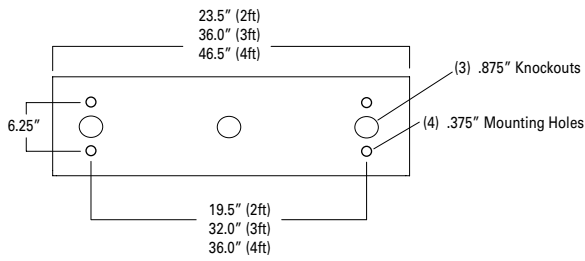
FVS8P	
Length	# Screws each side
2'	2
3'	2
4'	3
8'	5

	FVS8P	FVS8M
Housing	16GA Steel	18GA Steel
Listing	UL listed Damp Location Wet Optional	UL listed Damp Location Wet Optional
Construction	Screws along fixture edge	Screws on Endcaps

 [View IES files](#)

Dimensional and Mounting Details

2',3',4' - Mounting Dimensions



8' - Mounting Dimensions

