

Project		Catalog #		Type	
Prepared by		Notes		Date	



Ephesus

LUMASPORT 8 - Local

White LED Sports & Entertainment Luminaire

Typical Applications

Pro Arenas • University & Collegiate Arenas • University & Collegiate Stadiums • Multi-Event & Convention Centers • Gymnasiums & Field Houses

Interactive Menu

- Dimensional Details [page 1](#)
- Ordering Information [page 2](#)
- Dimensional and Mounting Details [page 3](#)
- Visor (VHE) Configuration [page 4](#)
- Performance Data [page 5](#)
- Optical Performance Data [page 6](#)
- Ordering Information for Accessories [page 8](#)
- Accessory Dimensions and Part Details [page 9](#)
- Example System Topology [page 12](#)

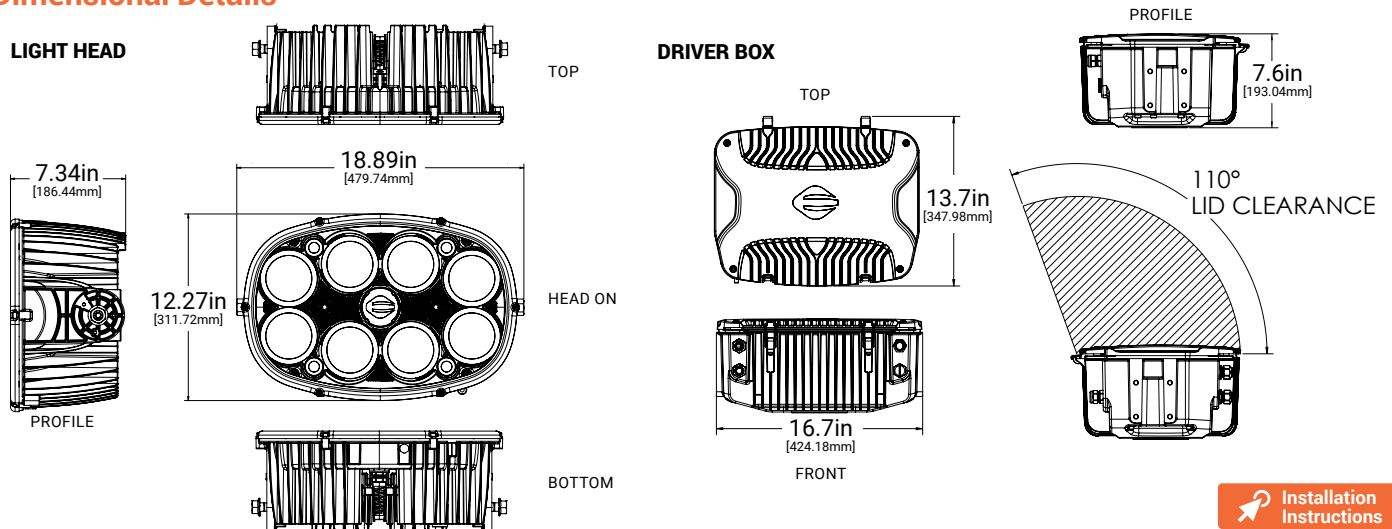
Product Certification



Top Product Features

- 52,000 to 106,000 lumen output options
- Glare and cutoff control via Hybrid Reflector and TIR Optical System
- Reduce install time with pre-aimable two-piece assembly
- Industry leading light source reliability with Chip-on-Board LEDs
- Greater than 80% lumen maintenance at >66,000 hours.
- Wired DMX or Wireless AirMesh controls options to suit your needs
- Impact Resistant Glass option protects from vandalization and prevents down time in the event of impact to the glass
- Options to meet Trade Agreements Act requirements

Dimensional Details



[Installation Instructions](#)

Order Information

NOTE: A complete fixture order requires a selection entry for **Brand, Family, Model, Power Configuration, Color, CCT, CRI, Optic, Light Head Cable (DC), Voltage, Control, Mount Configuration, Power Cable (AC), Options, Packaging, & International Option.**

SAMPLE ORDER NUMBER: EPH-LS-08-0320L-BLK-40-70-1S-C04-HV-LB-LY-A00-HEG-BP-ST

Brand	Family	Model	Power Configuration	Color	CCT	CRI	Optic	Light Head Cable (DC)
Brand	Family	Model	Power Configuration	Color ³	CCT	CRI	Optic ⁴	Light Head Cable (DC) ⁶
EPH = Ephesus, Standard TAA=Trade Agreements Act ¹	LS = Lumasport	08 = 8 Optics	0320L = 320W Local Power ² 0640L = 640W Local Power ²	BLK = Black WHT = White	40 = 4000K 57 = 5700K	70 = 70 CRI 80 = 80 CRI	1S = NEMA 3 17.5 33.3 2S = NEMA 3 21.9 40.2 3S = NEMA 3 25.4 45.7 4S = NEMA 4 36.0 64.4 5S = NEMA 5 46.6 82.6 7F ⁵ = NEMA 7 72.5 131.0	C04 = 4ft Cable, Standard C10 ⁷ = 10ft Cable, Catwalk Bracket
Notes: (1) Only product configurations with this designated prefix are built to be compliant with the Trade Agreements Act of 1979 (TAA). Please refer to DOMESTIC PREFERENCES website for more information. Components shipped separately may be separately analyzed under domestic preference requirements.			Notes: (2) Local Power means that the light head is attached to the driver box with the yoke or pendant mount.	Notes: (3) Not coastal rated. Contact Ephesus for coastal fixture options.			Notes: (4) Optic = NEMA TYPE; BEAM ANGLE; FIELD ANGLE. Additional optical performance data within spec sheet. (5) 7F = NEMA 7 Optic only available with 0320L = 320W Local Power configuration.	Notes: (6) DC Cable connecting the light head to the driver box. (7) C10 = 10ft Cable is intended to be used with the Ephesus Catwalk Bracket

Voltage	Control	Mount Configuration	Power Cable (AC)	Options	Packaging	International Option
Voltage	Control ⁸	Mount	Power Cable (AC) ⁹	Options ¹⁰	Packaging	International Option
LV = Low Voltage HV = High Voltage	NC = No Control AM = Wireless AirMesh LB = Wired DMX	LY = Local Yoke LP = Local Pendant	A00 = No Cable, Standard A04 = 4ft Cable A10 = 10ft Cable A15 = 15ft Cable	HEG = No Visor High Efficiency Glass Lens VHE = Visor High Efficiency Glass Lens CV1 = 1 Louver Cutoff Visor CV2 = 2 Louver Cutoff Visor CV5 = 5 Louver Cutoff Visor	BP = Bulk Pack	ST = Standard CC = Coastal Construction
	Notes: (8) Contact Ephesus for UL924 compatible options		Notes: (9) AC Cable connecting the Driver Box to the electrical power source.	Notes: (10) Accessories sold separately will be separately analyzed under domestic preference requirements. Consult factory for further information.		

DesignLights Consortium® Qualified. Refer to www.designlights.org Qualified Products List under Family Models for details

Power Configuration Examples



LOCAL POWER (500PL)
USING THE LOCAL YOKE (LY) LIGHT HEAD MOUNT



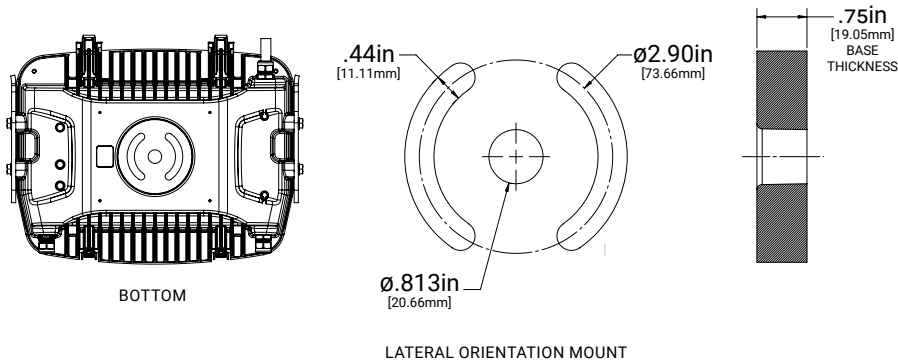
SATELLITE POWER (500PS)
USING BOTTOM MOUNT YOKE (BY) LIGHT HEAD MOUNT
AND THE EPHEBUS CATWALK MOUNTING BRACKET (EPH-LS-CAT-P-B-U-B)



LOCAL POWER (500PL)
AND THE LOCAL PENDANT (LP) LIGHT HEAD MOUNT

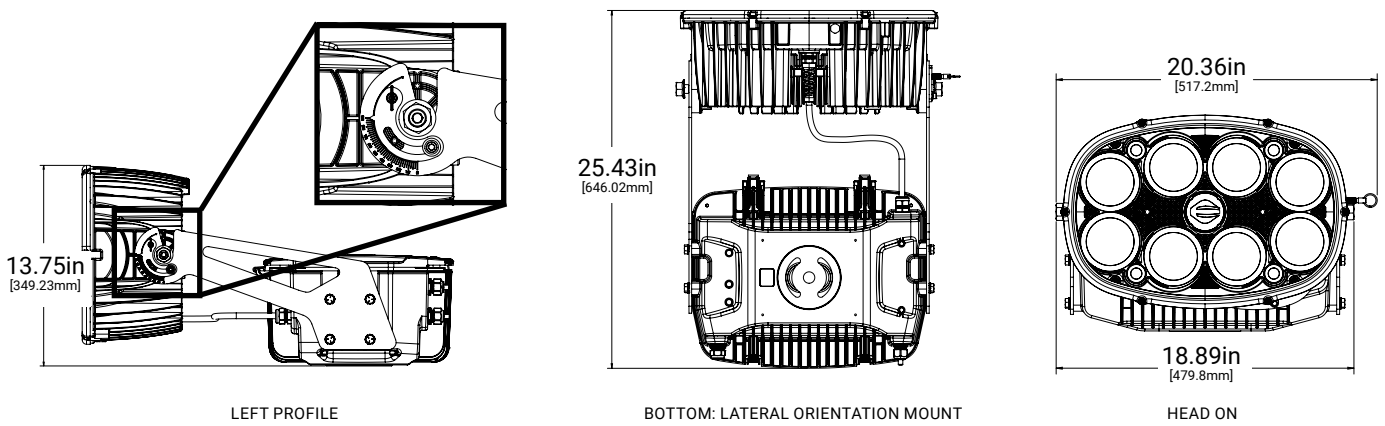
Dimensional and Mounting Details

MOUNTING: DRIVER BOX



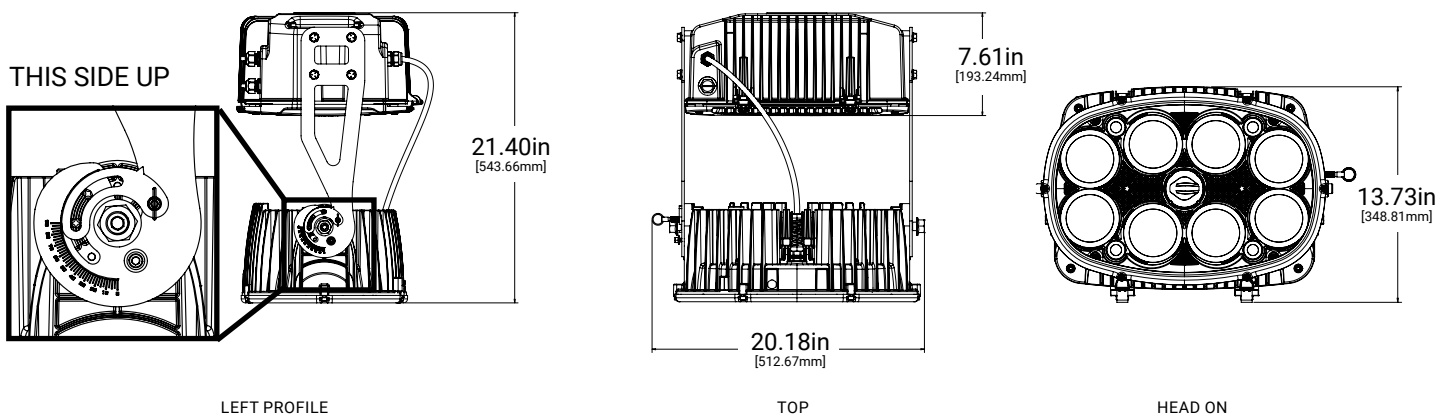
MOUNTING CONFIGURATION: LOCAL YOKE

THIS SIDE UP

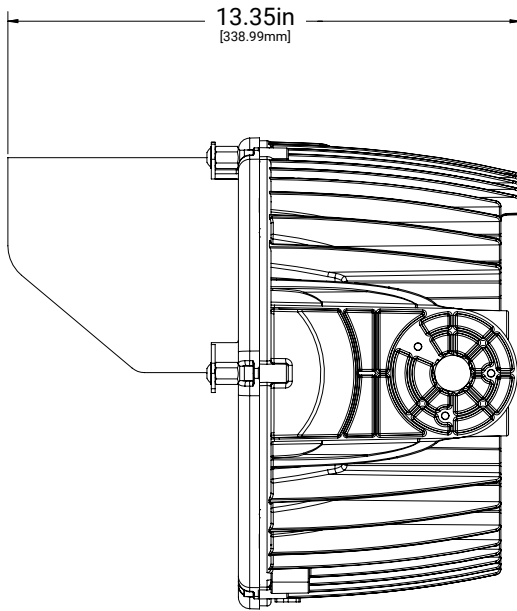


MOUNTING CONFIGURATION: LOCAL PENDANT

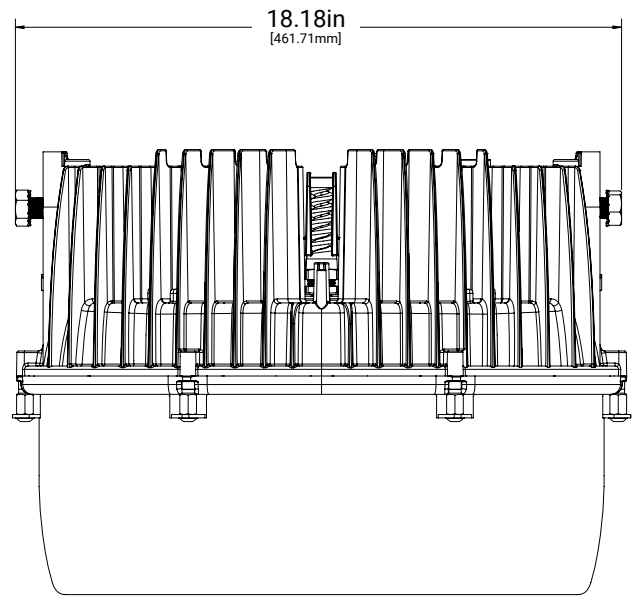
THIS SIDE UP



VHE Visor Option Dimensional Details



LEFT PROFILE: VISOR

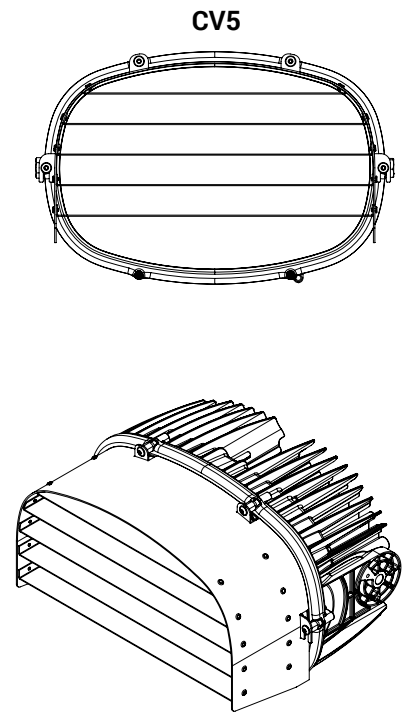
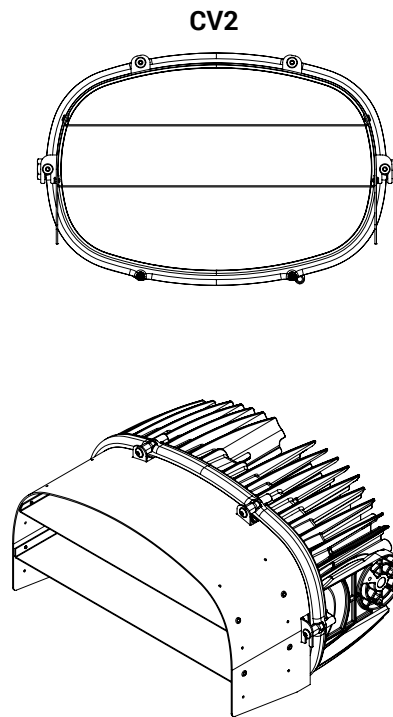
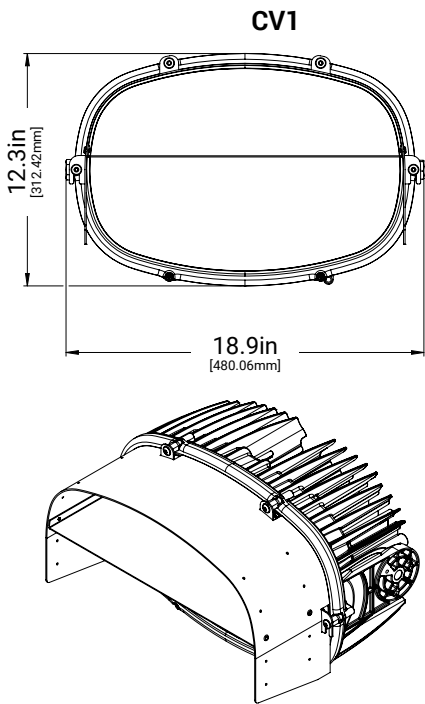


TOP: VISOR

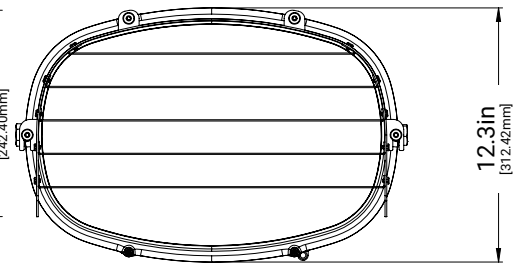
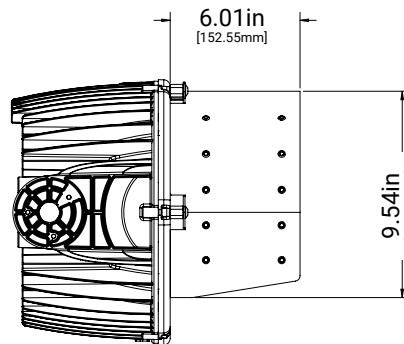
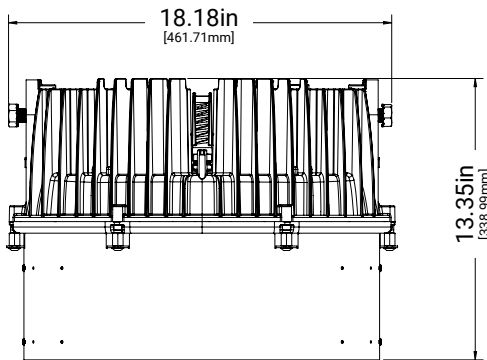
NOTES:

The addition of a visor adds 1lb of material to the luminaire weight.

CV1, CV2, CV5 Cutoff Visor Options



CV1, CV2, CV5 Cutoff Visor Option Dimensional Details



Performance Data¹

	LUMASPORT 8 (320W)	LUMASPORT 8 (640W)
Lumen Output Range ²	52,000 - 61,000lm	90,000 - 106,000lm
Nominal Power ³	353W	701W
Input Voltage (Low Voltage)	120-277VAC	120-277VAC
Input Voltage (High Voltage)	347-480VAC	347-480VAC
Efficacy Range ²	151 - 178lm/W	137 - 162lm/W
CRI ⁴	70, 80	70, 80
TLCI ⁵	75	75
CCT Range	4000K, 5700K	4000K, 5700K
Distribution (NEMA)	3-5, 7	3-5
Dimming Range	DIM TO OFF, 10%-100%	DIM TO OFF, 10%-100%
Operating Temperature Range	-40°C to +40°C	-40°C to +40°C
Usage	INDOOR, OUTDOOR ⁶	INDOOR, OUTDOOR ⁶
Mounting Options (3G RATED)	LOCAL YOKE; LOCAL PENDANT	LOCAL YOKE; LOCAL PENDANT
Electrical Certifications	FCC, UL8750, UL1598, DLC Standard (NANQSV)	FCC, UL8750, UL1598, DLC Standard (NANQSV)
Environmental Certifications	IP66, NEMA4X7	IP66, NEMA4X7
Vibration	ANSI C136.31-2010 3G ⁸	ANSI C136.31-2010 3G ⁸
Surge	10kV	10kV
Effective Projected Area (EPA)	1.8 (sq. ft.)	1.8 (sq. ft.)
Effective Projected Area (EPA) with Visor (VHE, CV1, CV2, CV5) ⁹	1.8 - 2.5 (sq. ft.)	1.8 - 2.5 (sq. ft.)
Approximate Weight ¹⁰	69.92lbs	73.42lbs
Approximate Weight with Visor (VHE, CV1, CV2, CV5) ¹⁰	75.5lbs	77.42lbs

NOTES:

- (1) Specifications are subject to change without notice.
- (2) Refer to Optical Performance Data.
- (3) Values are +/- 4% when fixture is operated at 25°C ambient
- (4) Values are +/- 2%
- (5) Values are +/- 3 points.
- (6) When driver box is mounted in upright position.
- (7) Light head meets NEMA4X Certification
- (8) LumaSport 8 with Visors (VHE, CV1, CV2, CV5) qualifies for ANSI C136, 31-2010 1.5G
- (9) EPA may vary depending on the aiming angle of the fixture.
- (10) Weight may vary depending on mounting bracket, VHE Visor option, light head and driver box selection.

Electrical Performance Data

Product	Input Voltage (VAC)	Surge Protection	Nominal Input Power (W)	Input Current (Arms)	Power Factor (>60% Load)	THDi (>60% Load)	Inrush Period (ms)	Peak Inrush Current (A)
EPH-LS-8-320L (LV driver)	120	10KV	360	3.00	>0.9	<10%	3.5	27.0
	208		360	1.73			3.5	27.0
	240		360	1.50			3.5	27.0
EPH-LS-8-320L (HV driver)	277		360	1.30			1.8	54.0
	347		347	1.00			1.8	54.0
	480		336	0.70			1.8	54.0
EPH-LS-8-640L(LV driver)	120		721	5.95			3.6	7.0
	208		703	3.38			3.6	7.0
	240		701	2.93			4.2	14.0
EPH-LS-8-640L(HV driver)	277		702	2.53			4.1	16.7
	347		696	2.00			2.2	17.6
	480		695	1.48			2.2	17.6

NOTES:

- (1) All values measured at 25°C ambient
- (2) Inrush current and period values are calculated as per power supply specification sheet
- (3) Nominal input power wattage may vary by 4%

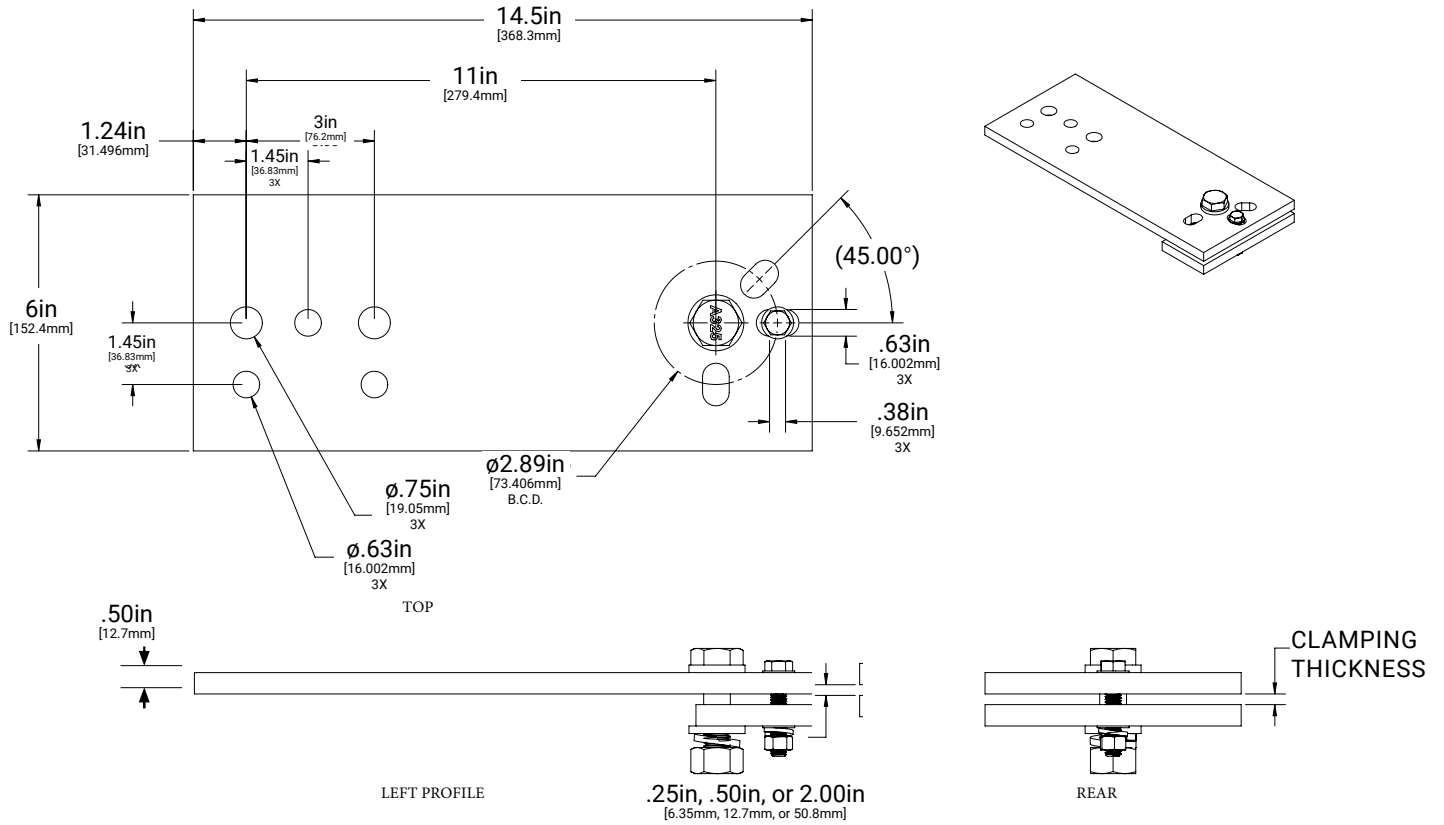
Ordering Information for Accessories

NOTE: A complete accessory order requires a selection entry for **Brand, Accessory, Option**.

SAMPLE ORDER NUMBER: **EPH-HRDM34-025**

Brand	Accessory	Option	Intended Use
EPH = Ephesus	EXTPLT = Extension Plate ¹	025 = .25in 050 = .5in 200 = 2.0in	Extension Plate Kit to mount to structures .25in, .5in, or 2.00in thick. Designed to be used with the LUMASPORT 8, LUMADAPT 8, LUMASPORT 8 PRISM luminaires only.
	DVGBRD = Diving Board ²		Diving Board to mount to 2in x 4in steel cross arms. Designed to be used with the LUMASPORT 8, LUMASPORT 16, LUMASPORT 8 PRISM luminaires only.
	HRDM58 = Mounting Hardware 5/8in diameter	050 = .375in - .50in Range of Clamping Thickness ³ 200 = 2in Clamping Thickness ³	HRDM58-050 : .375-.500in clamping thickness, Use for Extension Plate (EXTPLT) or other flat surfaces drilled for 5/8in hardware HRDM58-200 : 2.00in clamping thickness, use for 2in x 4in Cross arms that are drilled for 5/8in hardware
	HRDM34 = Mounting Hardware 3/4in diameter	025 = .25in ⁴ 075 = .75in ⁴ 200 = 2in ⁴	HRDM34-025 : .25-.50in clamping thickness, use for diving board (DVGBRD) or other flat surfaces drilled for 3/4in hardware HRDM34-075 : .50-.75in clamping thickness, flat surfaces drilled for 3/4in hardware HRDM34-200 : 2.00in clamping thickness, use for 2in x 4in Cross arms that are drilled for 3/4in hardware
	Notes: (1) Additional mounting fastener hardware kit needed to attach a fixture to the EXTPLT = Extension Plate (2) Additional mounting fastener hardware kit needed to attach a fixture to the DVGBRD = Diving Board	Notes: (3) Option only available for use with HRDM58 (4) Option only available for use with HRDM34	

Extension Plate (EXTPLT) Dimension and Part Details:



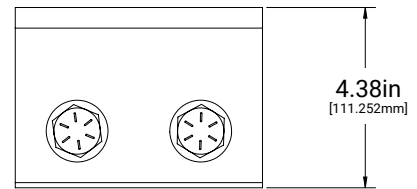
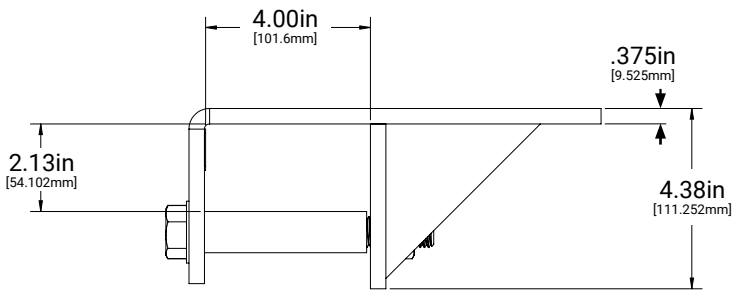
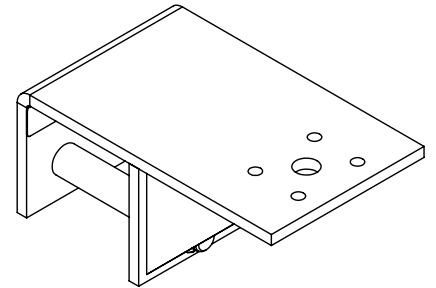
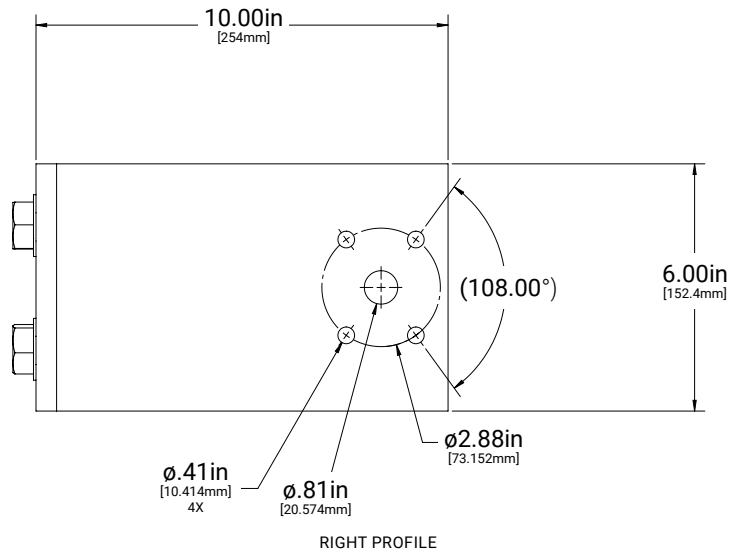
Extension Plate Data

MODEL #	WEIGHT (LBS)
EXTPLT	14.63
EXTPLT + HRDM58-050	15.28

Extension Plate Kit Parts

DESCRIPTION	QUANTITY
Extension Plate	1
Washer Plate	1
5/8in Hex Bolt	1
5/8in Washer	2
5/8in-11 Hex Nut	1
5/8in Split Washer	1
3/8in Washer	2
3/8in Hex Bolt	1
3/8in Split Washer	1
3/8in-16 Hex Nut	1

Diving Board (DVGBRD) Dimension and Part Details:



Diving Board Data

MODEL #	WEIGHT (LBS)
DVGBRD	15.1
DVGBRD + HRDM34-025	16.1

Diving Board Parts

DESCRIPTION	QUANTITY
Welded Bracket	1
Bolt Sleeve	2
3/4in-10 X 6in Structural Hex Bolt, Hot Dip Galvanized	2
3/4in Steel Flat Washer, Hot Dip Galvanized	2
3/4in Ext Tooth Washer, Steel, Magni-565 Grey Polycoat	2
3/4in-10 Structural Steel Hex Nut, Hot Dip Galvanized	2
Stainless Shim	1

HRDM58 Dimension and Part Details:

HRDM58-050:

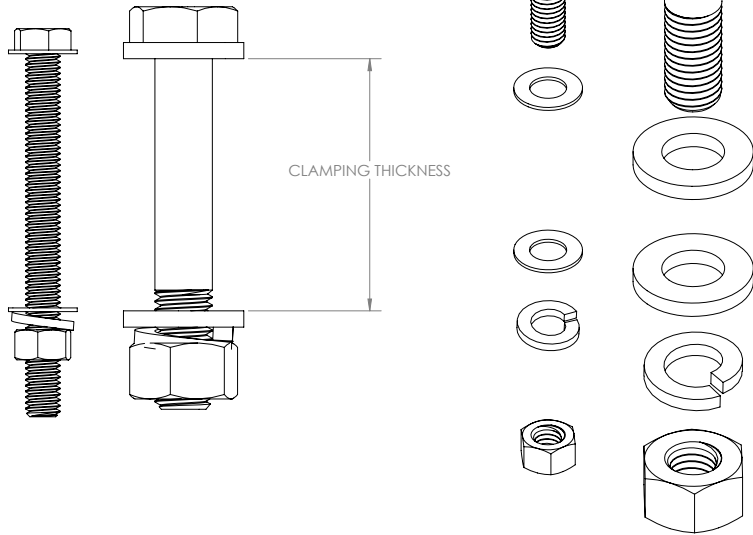
.375-.500in clamping thickness, Use for Extension Plate (EXTPLT) or other flat surfaces drilled for 5/8in hardware

HRDM58-200:

2.00in clamping thickness, use for 2in x 4in Cross arms that are drilled for 5/8in hardware

HRDM58 Data

MODEL #	WEIGHT (LBS)
HRDM58-050	.65
HRDM58-200	.84



HRDM34 Dimension and Part Details:

HRDM34-025:

.25-.50in clamping thickness, use for diving board (DVGBRD) or other flat surfaces drilled for 3/4in hardware

HRDM34-075:

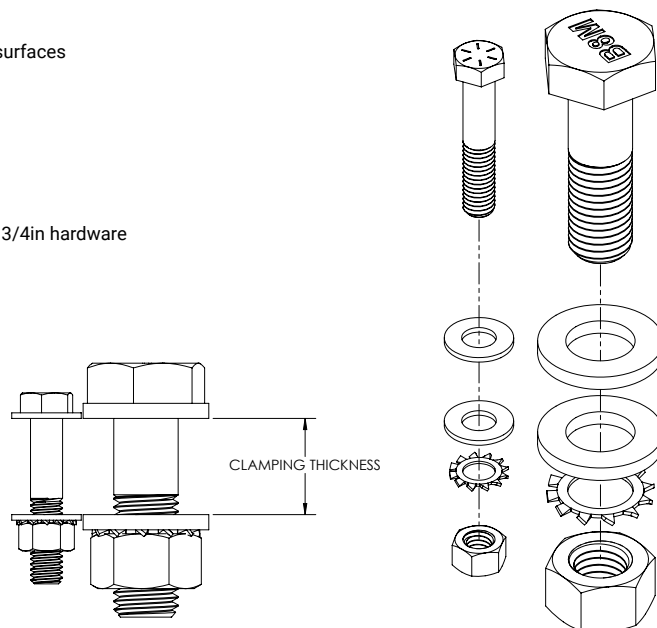
.50-.75in clamping thickness, flat surfaces drilled for 3/4in hardware

HRDM34-200:

2.00in clamping thickness, use for 2in x 4in Cross arms that are drilled for 3/4in hardware

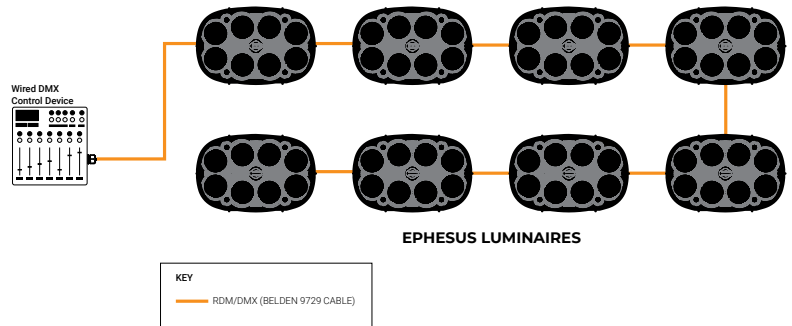
HRDM34 Data

MODEL #	WEIGHT (LBS)
HRDM34-025	1
HRDM34-075	1.5
HRDM34-200	2



Example System Topology (Wired DMX Controls)

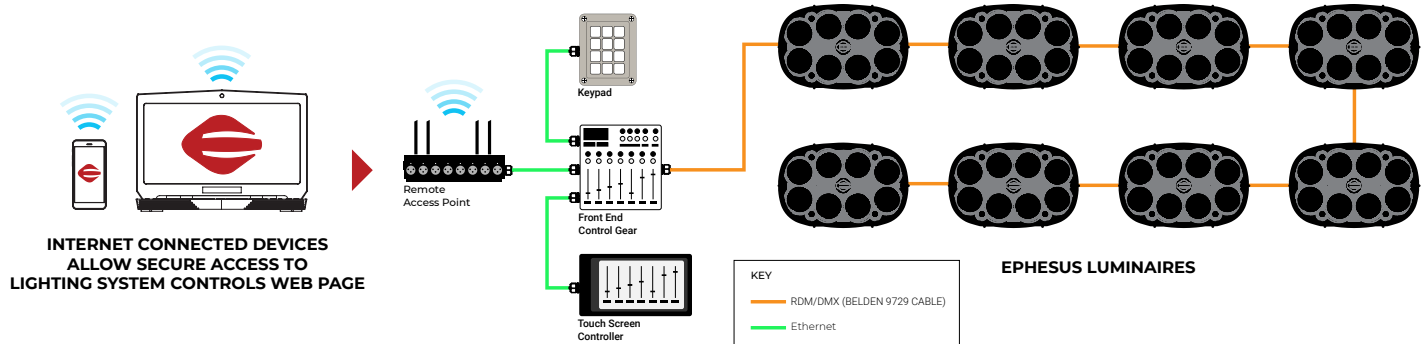
Example system topology showing the LUMASPORT 8 System in a commonly used wired DMX Control Installation. Refer to the specifications and limitations of your wired DMX control device before installing this configuration.



Example System Topology (Remote Access Point With Wired DMX Controls)

Example system topology showing the LUMASPORT 8 System in a commonly used remote access point with wired DMX Control Installation. Refer to the specifications and limitations of your wired DMX control device before installing this configuration. Note: Laptop and mobile device not included. A cellular network connection requires a cellular carrier network plan.

REMOTE ACCESS POINT TO DMX SYSTEM CONTROLS



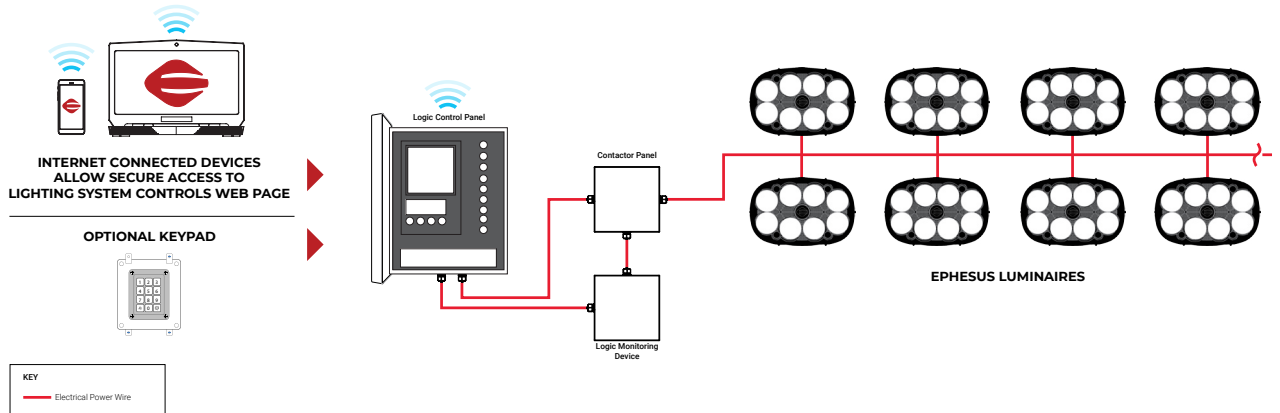
NOTES:

Remote Access Point requires either a wired Internet connection at the lighting system site or through a cellular carrier network connection plan.

Example System Topology (Contactor Controls)

Example system topology showing the LUMASPORT 8 System in a Wired Contactor Controls Installation.

Note: Laptop and mobile device not included. A cellular network connection requires a cellular carrier network plan.

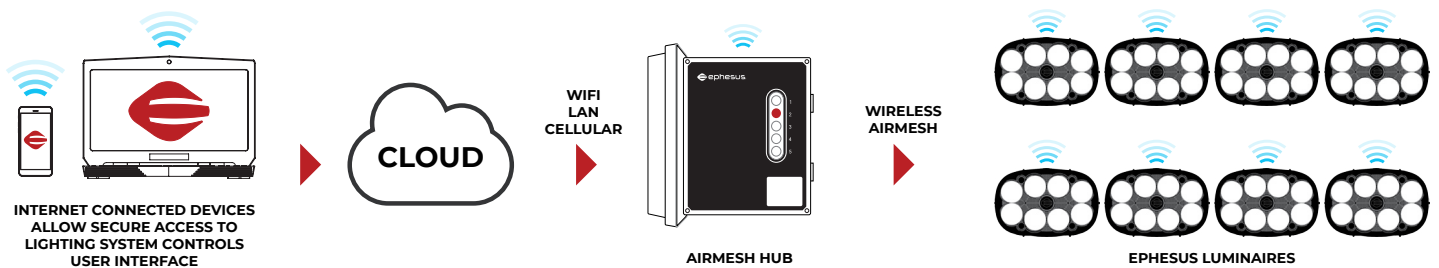


Example System Topology (Wireless AirMesh Controls)

Example system topology showing the LUMASPORT 8 System in a Wireless AirMesh Control Installation.

Note: Laptop and mobile device not included. A cellular network connection requires a cellular carrier network plan.

REMOTE ACCESS



ON SITE ACCESS

