

Project		Catalog #		Type	
Prepared by		Notes		Date	



Interactive Menu

- Ordering Information [page 2](#)
- Product Specifications [page 2](#)
- Energy and Performance Data [page 3](#)

Streetworks

MPW Woodbridge

Decorative Post Top Luminaire

Product Certifications & Features



Product Specifications

OPTICAL

- Injection molded acrylic refractor available in symmetric or asymmetric distributions
- Offered standard in 4000K (+/- 275K) CCT and minimum 70 CRI

ELECTRICAL

- 120-277V 50/60Hz operation. 480V and 347V options available.
- 10kV surge protection options with series or parallel configurations
- 0-10V dimming standard
- Ambient operating temperature from -40°C to 40°C
- Standard three-position tunnel type compression terminal block

PHYSICAL CHARACTERISTICS

- Die-cast aluminum housing with spun and stamped aluminum top
- Overcenter latch for relamping and power module access
- Top is completely removable without the use of tools
- Post top mount fits 3" O.D. tenons. Secured by square head 3/8" stainless steel mounting bolts

CONTROLS

- 3- and 7-pin photocell receptacle options
- Field Adjustable Dimming Control option for manual adjustment of power consumption and lumen output. Factory preset to highest output level
- Compatible with Trellix Cellular Network Lighting Controls

COMPLIANCE

- UL wet location rated
- Meets ANSI C136.15 for luminaire field
- identification label standard
- Meets ANSI C136.22 internal label standard
- 3,000-hours per ASTM B117, with a scribe rating of 7 per ASTM D1654 for standard color finish
- Configurations available that meet DLC requirements, submission in progress - visit www.designlights.org to confirm listed variants
- BAA domestic preference option meets BAA requirements. See [DOMESTIC PREFERENCES](#) website or consult the CLS Domestic Preferences team for more information
- FHWA and FTA agencies are utilizing their BAA rules for BABA compliance. Cooper's products with a BAA designation are manufactured in the US and utilize a BAA COTS exemption rule for compliance. To verify a configured product with specific accessories and options meet BABA Domestic Preference Requirements; submit this catalog number to Cooper Lighting Quotation team for validation by our Engineering and Manufacturing teams. Please refer to the [DOMESTIC PREFERENCES](#) website or consult the CLS Domestic Preferences team for more information. Components shipped separately may be separately analyzed under domestic preference requirements

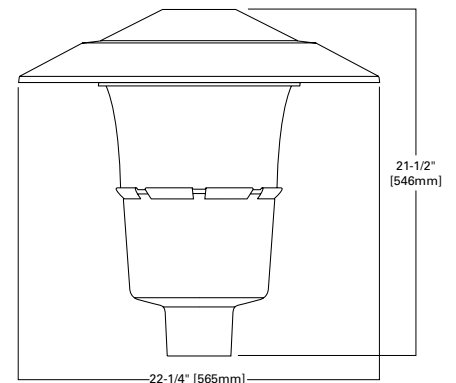
SHIPPING DATA

- Approximate Weight: 34 lbs. (14 kgs.)
- EPA: 1.7 (Sq. ft.)
- Carton Size: 22.25" X 21.37" X 23.50"
- Pallet Size: 49" x49"
- Cartons/Pallet: 8

WARRANTY

- Five-year limited warranty. Consult website for details. www.cooperlighting.com/legal

Dimensional Details



Ordering Information

SAMPLE ORDER NUMBER: **MPW-A2-D-U-SYM-4-AP**

Product Family ¹	Light Engine	Driver	Voltage	Distribution	Color
MPW =Woodbridge BAA-MPW =Woodbridge Buy American Act Compliant ⁹ TAA-MPW =Woodbridge Trade Agreements Act Compliant ⁹ BABA-MPW =Woodbridge Build America Buy America Act Compliant ¹³	A1 ² A2 A3 A4 A5 A6 A7 A8	D =Dimming 5TLD =Dali ²	U =Universal (120-277V) 9 =347V 8 =480V	SYM =Symmetric ASYM =Asymmetric	AP =Grey BZ =Bronze BK =Black DP =Dark Platinum WH =White
Options (Add as Suffix)			Accessories (Order Separately) ¹⁰		
7030 =70 CRI / 3000K ³ 7027 =70 CRI / 2700K ³ 4 =NEMA 3-PIN Photocontrol Receptacle Internal Mount) ⁴ 4N7 =NEMA 7-PIN Photocontrol Receptacle (Internal Mount) ⁴ 4N7E =Nema 7-Pin Photocontrol Receptacle (External Top Mount) FADC =Field Adjustable Dimming Controller ¹¹ 10MSP =10kV MOV Surge Protective Device NPC =NEMA Photocontrol - Multi-Tap ^{6,7} PSC =Photocontrol Shorting Cap ⁷ HSS =House Side Shield 180 Degree Cutoff W =20' #10 Leads HA =High Ambient AHD145 =After Hours Dim, 5 Hours ⁵ AHD245 =After Hours Dim, 6 Hours ⁵ AHD255 =After Hours Dim, 7 Hours ⁵ AHD355 =After Hours Dim, 8 Hours ⁵ 20MSP =20kV MOV Surge Protections Device 20K =20kV UL 1449 Surge Protection Device LLPC =Long Life Photocontrol (Included) ⁷ AN8 =M2M Antennae (915MHz) ⁸ Dxxxxx =DOT Configuration - Contact Quotes Team Uxxxxx =Utility Configuration - Contact Quotes Team			OA/RA1016 =NEMA Photocontrol Multi-Tap OA/RA1013 =Photocontrol Shorting Cap OA1223 =10kV/10kA UL 1449 Surge Module Replacement MPX-HSS =Field Install House Side Shield 180 Degree Cutoff OA/RA1027 =NEMA Photocontrol 480V OA/RA1201 =NEMA Photocontrol 347V		
NOTES: 1. Customer is responsible for engineering analysis to confirm pole and fixture compatibility for all applications. Refer to our white paper WP513001EN for additional support information. 2. A1 not available with DALL. 3. Use dedicated IES files for various CCTs and CRIs when performing layouts. These files are published on the Utility LED Acorn luminaire product page on the website. 4. Total height of photocontrol/node cannot exceed 4.3'. 5. Requires the use of Photocontrol (4, 4N7 or 4N7E) receptacle. See After Hours Dim supplemental guide for additional information. 6. Available with universal voltage only. 7. A photocontrol receptacle "4", "4N7" or "4N7E" must also be selected. 8. For use with third party control systems where M2M is required. 9. Only product configurations with these designated prefixes are built to be compliant with the Buy American Act of 1933 (BAA) or Trade Agreements Act of 1979 (TAA), respectively. Please refer to DOMESTIC PREFERENCES website for more information. Components shipped separately may be separately analyzed under domestic preference requirements. 10. Accessories sold separately will be separately analyzed under domestic preference requirements. Consult factory for further information. 11. Cannot be used with 4N7E or other motion response control options. 12. Controls system is not available with photocontrol receptacles (PR, PR7) or other controls systems (FADC, SPBx). 13. FHWA and FTA agencies are utilizing their BAA rules for BABA compliance. Cooper's products with a BAA designation are manufactured in the US and utilize a BAA COTS exemption rule for compliance. To verify a configured product with specific accessories and options meet BABA Domestic Preference Requirements; submit this catalog number to Cooper Lighting Quotation team for validation by our Engineering and Manufacturing teams. Please refer to the DOMESTIC PREFERENCES website or consult the CLS Domestic Preferences team for more information. Components shipped separately may be separately analyzed under domestic preference requirements					

Energy and Performance Data

[View Woodbridge IES files](#)

Power and Lumens

Light Engine		A1	A2	A3	A4	A5	A6	A7	A8
Actual Power (W)		14	21	34	40	53	62	71	78
Wattage Label		10	20	30	40	50	60	70	80
Input Current @ 120V (A)		0.11	0.18	0.28	0.33	0.44	0.52	0.59	0.65
Input Current @ 277V (A)		0.05	0.08	0.12	0.14	0.19	0.22	0.26	0.28
Input Current @ 347V (A)		0.04	0.06	0.10	0.12	0.15	0.18	0.20	0.22
Input Current @ 480V (A)		0.03	0.04	0.07	0.08	0.11	0.13	0.15	0.16
70 CRI, 2700K									
SYM	Lumens	1,910	3,034	4,977	6,072	6,403	6,730	7,550	8,041
	Lumens per Watt	140	145	149	153	122	111	109	106
	BUG Rating	B1 U3 G2	B2 U3 G3	B2 U4 G3	B3 U4 G4	B3 U5 G4	B3 U5 G4	B3 U5 G4	B3 U5 G5
ASYM	Lumens	1,895	2,986	4,823	5,819	6,120	6,537	7,236	7,629
	Lumens per Watt	138	141	142	144	115	104	100	96
	BUG Rating	B1 U3 G3	B1 U3 G3	B2 U4 G4	B2 U4 G5	B2 U4 G5	B2 U5 G5	B2 U5 G5	B2 U5 G5
70 CRI, 3000K									
SYM	Lumens	2,006	3,186	5,227	6,377	6,725	7,068	7,929	8,445
	Lumens per Watt	148	152	156	160	129	117	114	111
	BUG Rating	B1 U3 G2	B2 U4 G3	B2 U4 G3	B3 U5 G4	B3 U5 G4	B3 U5 G4	B3 U5 G5	B3 U5 G5
ASYM	Lumens	1,990	3,136	5,065	6,112	6,428	6,865	7,600	8,012
	Lumens per Watt	145	148	149	151	121	109	105	101
	BUG Rating	B1 U3 G3	B1 U3 G3	B2 U4 G4	B2 U4 G5	B2 U5 G5	B2 U5 G5	B2 U5 G5	B2 U5 G5
70 CRI, 4000K									
SYM	Lumens	2,057	3,267	5,360	6,539	6,896	7,248	8,131	8,660
	Lumens per Watt	151	156	160	164	132	120	117	114
	BUG Rating	B1 U3 G2	B2 U4 G3	B2 U4 G4	B3 U5 G4	B3 U5 G4	B3 U5 G4	B3 U5 G5	B3 U5 G5
ASYM	Lumens	2,041	3,216	5,194	6,267	6,591	7,040	7,793	8,216
	Lumens per Watt	149	152	153	155	124	112	108	104
	BUG Rating	B1 U3 G3	B1 U4 G3	B2 U4 G4	B2 U4 G5	B2 U5 G5	B2 U5 G5	B2 U5 G5	B2 U5 G5

Lumen Maintenance

Ambient Temperature	TM-21 Lumen Maintenance (60,000 Hours)	Projected L70 (Hours)
Up to 40°C	> 73%	69,000

FADC Settings

FADC Position	Percent of Typical Lumen Output
1	25%
2	46%
3	55%
4	62%
5	72%
6	77%
7	82%
8	85%
9	90%
10	100%

Note: +/-5% typical value