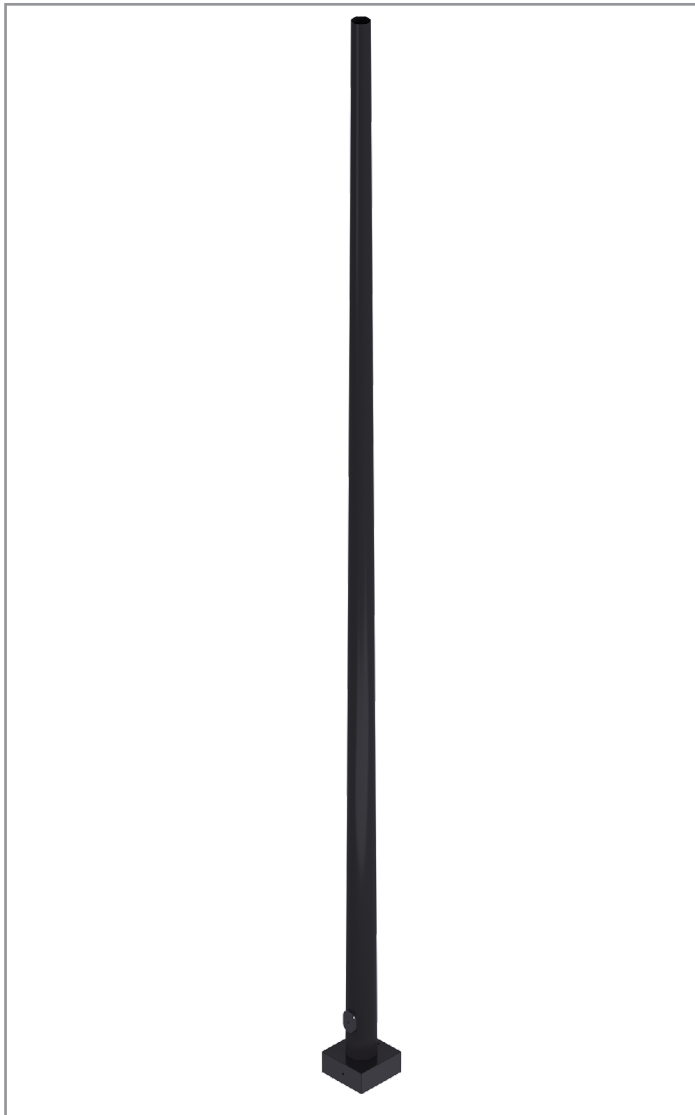


Project		Catalog #		Type	
Prepared by		Notes		Date	



# Cooper Poles

## Round Tapered Steel - RTS

### Anchor Base Installation

### Product Certifications & Features



### Base Cover



- 2-piece metal cover, painted to match pole
- Optional ABS cover, 3 basic finishes
- Corrosion resistant hardware

### Handhole



- 3"x5" handhole assembly (4"x6" for 8"+ shaft sizes), 14" minimum above base
- Grounding provision Included
- Extra handhole locations available
- Metal handhole cover, painted to match pole
- Optional ABS Handhole cover, 3 basic finishes
- Corrosion resistant hardware
- Optional vandal resistant mechanism

### Finish



BK - Black, Smooth



BZ - Bronze, Smooth

Featured Colors

- Highly durable TGIC polyester powder paint
- ASTM D3359 5B classification
- Optional hot-dipped galvanized pre-treat
- 10+ colors, custom finishes available

### Quick Facts

- Weldable grade carbon steel
- One-year limited warranty
- Fully galvanized anchor bolts & template included

### Interactive Menu

- Ordering Information [page 2](#)
- Base Plate Details [page 3](#)
- Mounting Type Details [page 4](#)
- Options Details [page 5](#)
- Certification & Additional Details [Page 7](#)
- EPA Data [page 8](#)
- Considerations [page 11](#)

### Domestic Preferences

BABA option supports both the USA Buy America (BAA) and Infrastructure Investment and Jobs Act (IIJA) domestic preference procurement requirements.

### Ordering Information

Sample Number: RTS-8-45-11-AB-T23S-BK

Domestic Preference	Product Family	Mounting Height(ft) and Base Diameter(in.) <sup>15</sup>		Wall Thickness	Installation Type
<b>Blank</b> = None <b>BABA</b> = Build America, Buy America funding <sup>1</sup> <b>BAA</b> = Buy America Compliant <sup>1</sup>	RTS = Round Tapered Steel	<b>8-45</b> = 8' and 4.5" Ø <b>10-45</b> = 10' and 4.5" Ø <b>12-45</b> = 12' and 4.5" Ø <b>14-52</b> = 14' and 5.2" Ø <b>15-52</b> = 15' and 5.2" Ø <b>16-52</b> = 16' and 5.2" Ø <b>18-52</b> = 18' and 5.2" Ø <b>18-63</b> = 18' and 6.3" Ø <b>20-52</b> = 20' and 5.2" Ø <b>20-63</b> = 20' and 6.3" Ø <b>25-59</b> = 25' and 5.9" Ø <b>25-70</b> = 25' and 7.0" Ø <sup>2</sup> <b>30-66</b> = 30' and 6.6" Ø	<b>30-80</b> = 30' and 8.0" Ø <sup>2</sup> <b>30-90</b> = 30' and 9.0" Ø <sup>2</sup> <b>35-85</b> = 35' and 8.5" Ø <b>35-90</b> = 35' and 9.0" Ø <sup>2</sup> <b>39-90</b> = 39' and 9.0" Ø <sup>2</sup> <b>39-100</b> = 39' and 10" Ø <b>39-120</b> = 39' and 12" Ø <sup>3</sup> <b>45-100</b> = 45' and 10" Ø <sup>2</sup> <b>45-120</b> = 45' and 12" Ø <sup>3</sup> <b>50-100</b> = 50' and 10" Ø <sup>2</sup> <b>50-120</b> = 50' and 12" Ø <sup>3</sup> <b>50-130</b> = 50' and 13" Ø <sup>4</sup>	11 = 11ga (.12") 7 = 7ga (.18") <sup>5</sup> 3 = 3ga (.25") <sup>5</sup>	AB = Anchor Base Installation

Mounting Type	Pre-Finish	Finish	Options (Add as Suffix)
<b>[blank]</b> = no mounting defined <b>T23S</b> = 2-3/8" OD x 4" long tenon <b>T23L</b> = 2-3/8" OD x 6" long tenon <b>T300</b> = 3" OD x 4" long tenon <b>T350</b> = 3-1/2" OD x 5" long tenon <b>T40S</b> = 4" OD x 6" long tenon <b>T40L</b> = 4" OD x 10" long tenon <b>M1</b> = Single M-drilling <sup>7</sup> <b>M2</b> = M-drilling, 2 at 180° <sup>7</sup> <b>M3</b> = M-drilling, 3 at 120° <sup>7</sup> <b>M4</b> = M-drilling, 4 at 90° <sup>7</sup> <b>M5</b> = M-drilling, 2 at 90° <sup>7</sup> <b>M6</b> = M-drilling, 3 at 90° <sup>7</sup> <b>M7</b> = M-drilling, 2 at 120° <sup>7</sup> <b>N1</b> = Single N-drilling <sup>7</sup> <b>N2</b> = N-drilling, 2 at 180° <sup>7</sup> <b>N3</b> = N-drilling, 3 at 120° <sup>7</sup> <b>N4</b> = N-drilling, 4 at 90° <sup>7</sup> <b>N5</b> = N-drilling, 2 at 90° <sup>7</sup> <b>N6</b> = N-drilling, 3 at 90° <sup>7</sup> <b>N7</b> = N-drilling, 2 at 120° <sup>7</sup> <b>S13</b> = CLS Simplex fitting for 13" rise to support 2' arm <sup>8</sup> <b>S15</b> = CLS Simplex fitting for 15" rise to support 2.5' arm <sup>8</sup> <b>S19</b> = CLS Simplex fitting for 19" rise to support 4' arm <sup>8</sup> <b>S24</b> = CLS Simplex fitting for 24" rise to support 6' arm <sup>8</sup> <b>S30</b> = CLS Simplex fitting for 30" rise to support 7.5' arm <sup>8</sup> <b>S/[ABCD][z]</b> = simplex fitting mounted at custom location <sup>8,11,13</sup>	<b>[blank]</b> = none <b>GV</b> = Galvanized <sup>10</sup>	<b>[Blank]</b> = none <sup>9</sup> <b>WTS</b> = Summit White, smooth <b>WHT</b> = New White, textured <b>WH</b> = New White, smooth <b>TWS</b> = True White, smooth <b>BZ</b> = Bronze, smooth <b>BZT</b> = Bronze, textured <b>CB</b> = Carbon Bronze <b>DP</b> = Dark Platinum <b>GN</b> = Hartford Green <b>VGS</b> = Verde Green, smooth <b>VGT</b> = Verde Green, textured <b>SY</b> = Silver <b>GM</b> = Graphite Metallic <b>AP</b> = Grey <b>APT</b> = Grey, textured <b>BK</b> = Black, smooth <b>BT</b> = Black, textured <b>XX</b> = Custom color <sup>10</sup> <b>RALxxxx</b> = RAL####, smooth or textured <sup>10</sup>	<b>CO/[ABCD][z]</b> = Convenience Outlet less electrical <sup>11,12</sup> <b>ECO/[ABCD][z]</b> = Convenience Outlet with 20A GFCI plug 125V AC and in-use electrical cover (in hardware kit) <sup>11,12</sup> <b>ITC050/[ABCD][z]</b> = 1/2" coupling - internal thread <sup>11,13</sup> <b>ITC075/[ABCD][z]</b> = 3/4" coupling - internal thread <sup>11,13</sup> <b>ITC100/[ABCD][z]</b> = 1" coupling - internal thread <sup>11,13</sup> <b>ITC125/[ABCD][z]</b> = 1-1/4" coupling - internal thread <sup>11,13</sup> <b>ITC150/[ABCD][z]</b> = 1-1/2" coupling - internal thread <sup>11,13</sup> <b>ITC200/[ABCD][z]</b> = 2" coupling - internal thread <sup>11,13</sup> <b>ETC050/[ABCD][z]</b> = 1/2" coupling - external thread <sup>11,13</sup> <b>ETC075/[ABCD][z]</b> = 3/4" coupling - external thread <sup>11,13</sup> <b>ETC100/[ABCD][z]</b> = 1" coupling - external thread <sup>11,13</sup> <b>ETC125/[ABCD][z]</b> = 1-1/4" coupling - external thread <sup>11,13</sup> <b>ETC150/[ABCD][z]</b> = 1-1/2" coupling - external thread <sup>11,13</sup> <b>ETC200/[ABCD][z]</b> = 2" coupling - external thread <sup>11,13</sup> <b>EHH/[ABCD][z]</b> = Extra Handhole with grounding provision <sup>11</sup> <b>VDF</b> = Vibration Dampener - Factory Installed for 2nd mode vibration <b>INT</b> = Interior coating (8 feet from base inside pole; 3 mils of epoxy or "tar") <b>ABS</b> = ABS Base Cover & handhole cover (black, bronze, or white - closest match to chosen finish) <b>TR</b> = Tamper Resistant handhole cover(s) <b>CMB-A/[ABCD][z]</b> = Camera Mounting Bracket "A" with 1/2" hole <sup>11</sup> <b>BMODxxxx</b> = Base Modification (where xxxx is reference number) <sup>10</sup> <b>UL</b> = UL listed with label (includes NEC) <b>CSA</b> = CSA listed with label <b>DP1</b> = DuraPro Level 1 extended corrosion resistance premium finish <b>DP3</b> = DuraPro Level 3 extended corrosion resistance premium pre-treatment & finish <sup>14</sup> <b>L/AB</b> = Less Anchor Bolts and template <b>EAB</b> = Anchor Bolts and Template Shipped Early

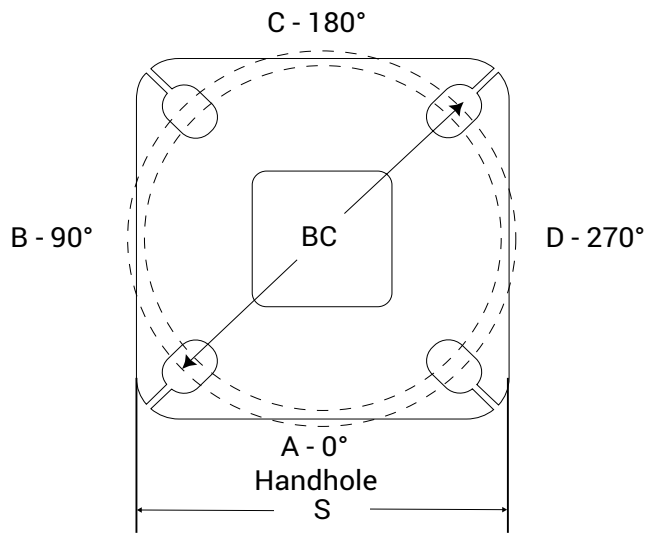
- NOTES:**
- Only product configurations with this prefix are built to be compliant with the Buy American Act of 1933 (BAA) or the Buy America Build America Act (BABA). BABA is the minimum government compliance requirement for the Buy America Build America standards which is part of the Infrastructure and Investment Jobs Act (IIJA). Individual government agencies may have more stringent compliance standards. Please refer to the [DOMESTIC PREFERENCES](#) website or consult the CLS Domestic Preferences team for more information. Components shipped separately may be separately analyzed under domestic preference requirements.
  - Available in 11ga and 7ga in the published lengths.
  - Available in 7ga only in the published lengths.
  - Available in 3ga only in the published lengths.
  - Only available in 25' mounting height and above.
  - Only available in 50' mounting height.
  - Tip diameter must be 3.5" or above not available in published lengths of 8-45, 10-45, 12-45, 14-52, 15-52, 16-52, 18-52, 20-52, 25-59, 30-66, and 50-100 mounting height and base shaft sizes. Shorter lengths increase the diameter by 0.14in/ft to meet the 3.5" limit. See pg. 4 for details.
  - CLS Simplex arm ordered separately. See page 4 for details.
  - Available only with galvanized pre-finish.
  - Requires approval. Additional lead times may apply.
  - Specify quadrant A, B, C, or D using mounting details, pg. 3. Specify height [z] in inches (Min = 12" above base. Max = 6" below pole mounting height). Consult factory for exceptions.
  - When location not specified by "[ABCD][z]", the default location will be A48 (same side as handhole, 4-feet from base).
  - Specify each one required, maximum of 4, with it's [ABCD][z] location.
  - Requires -GV = Galvanization option.
  - Unless noted, published lengths available in 11ga. Shorter lengths available in 1/2-foot increments whereby tip diameter increases.

#### Accessories (Order Separately)<sup>1</sup>

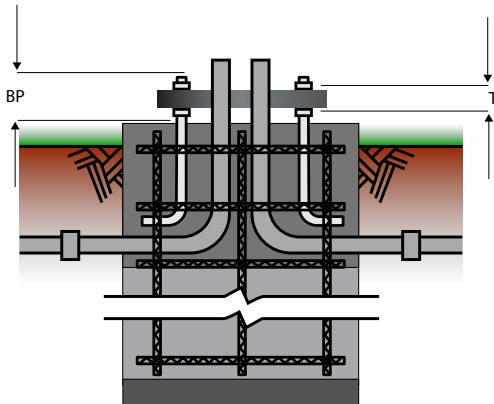
- BCP-RTS-xxxxxx = premium 2pc metal base cover<sup>2</sup>
- HCP-RTS-xxxxxx = premium metal handhole cover<sup>2</sup>
- BCABS-RTS-xxxxxx = 2pc ABS base cover (BK, BZ, or WH finish)<sup>2</sup>
- HCABS-RTS-xxxxxx = ABS handhole cover (BK, BZ, or WH finish)<sup>2</sup>
- VDF-RTS-xxxxxx = vibration dampener<sup>3</sup>
- ABKIT-RTS-xxxxx-STD = Anchor Bolt Kit and template<sup>4</sup>
- PTC-RTS-xxxxx = Pole cap assembly, ABS smooth black<sup>5</sup>
- GRD-KIT = Electrical grounding kit
- DRL-PLUG-KIT-xxxx = drill plugs, painted to match pole finish<sup>6</sup>

- NOTES:**
- Add "BABA" as prefix for BABA-compliant accessories
  - xxxxxx = base shaft diameter, wall thickness, and finish (ex. BCP-RTS-45-11-GM or BCABS-RTS-45-11-BZ)
  - xxxxxxx = mounting height, base shaft diameter, and wall thickness (ex. VDF-45-120-7)
  - xxxxx = base shaft diameter and wall thickness (ex. ABKIT-RTS-130-3-STD)
  - xxxxx = mounting height and base shaft diameter (ex. PTC-RTS-16-52)
  - xxxxx = Drill pattern and finish (ex. DRL-PLUG-KIT-N4-BZ)

### Mounting Plate Details



A/B/C/D denote pole quadrants. Handhole always at 'A' or 0°



**NOTE:**  
If custom base option required, please specify BMODxxxx option and provide drawing. Approval required, additional lead times may apply. Premium metal base cover included.

CAT Logic	Base Size		Anchor Bolt Details <sup>1</sup>		
	Square Size (S)	Thickness (T)	Bolt Circle (BC)	Bolt Size	Bolt projection (BP)
RTS-8-45-11-AB	8	0.75	8.5	.75 x 17 x 3	3.0 - 3.5
RTS-10-45-11-AB	8	0.75	8.5	.75 x 17 x 3	3.0 - 3.5
RTS-12-45-11-AB	8	0.75	8.5	.75 x 17 x 3	3.0 - 3.5
RTS-14-52-11-AB	10	0.75	9.0	.75 x 24 x 4	3.0 - 3.5
RTS-15-52-11-AB	10	0.75	9.0	.75 x 24 x 4	3.0 - 3.5
RTS-16-52-11-AB	10	0.75	9.0	.75 x 24 x 4	3.0 - 3.5
RTS-18-52-11-AB	10	0.75	9.0	.75 x 24 x 4	3.0 - 3.5
RTS-18-63-11-AB	11	1.00	10	1 x 36 x 4	3.5 - 4.0
RTS-20-52-11-AB	10	0.75	9.0	.75 x 24 x 4	3.0 - 3.5
RTS-20-63-11-AB	11	1.00	10	1 x 36 x 4	3.5 - 4.0
RTS-25-59-11-AB	10	0.75	9.0	.75 x 24 x 4	3.0 - 3.5
RTS-25-70-11-AB	11	1.00	10	1 x 36 x 4	3.5 - 4.0
RTS-25-70-7-AB	11	1.00	10	1 x 36 x 4	3.5 - 4.0
RTS-30-66-11-AB	11	1.00	10	1 x 36 x 4	3.5 - 4.0
RTS-30-80-11-AB	12	1.00	11	1 x 36 x 4	3.5 - 4.0
RTS-30-80-7-AB	12	1.25	11	1.25 x 42 x 6	5.0 - 5.5
RTS-30-90-11-AB	13	1.00	12.5	1 x 36 x 4	3.5 - 4.0
RTS-30-90-7-AB	13	1.25	12.5	1.25 x 42 x 6	5.0 - 5.5
RTS-35-85-11-AB	12	1.00	11.5	1 x 36 x 4	3.5 - 4.0
RTS-35-90-11-AB	13	1.00	12.5	1 x 36 x 4	3.5 - 4.0
RTS-35-90-7-AB	13	1.25	12.5	1.25 x 42 x 6	5.0 - 5.5
RTS-39-90-11-AB	13	1.00	12.5	1 x 36 x 4	3.5 - 4.0
RTS-39-90-7-AB	13	1.25	12.5	1.25 x 42 x 6	5.0 - 5.5
RTS-39-100-11-AB	14	1.00	13.5	1 x 36 x 4	3.5 - 4.0
RTS-39-120-7-AB	17	1.50	16	1.5 x 54 x 6	5.0 - 6.0
RTS-45-100-11-AB	14	1.00	13.5	1 x 36 x 4	3.5 - 4.0
RTS-45-100-7-AB	14	1.25	13.5	1.25 x 42 x 6	5.0 - 5.5
RTS-45-120-7-AB	16.5	1.50	16	1.50 x 54 x 6	5.5 - 6.0
RTS-50-100-11-AB	14	1.00	13.5	1 x 36 x 4	3.5 - 4.0
RTS-50-100-7-AB	14	1.25	13.5	1.25 x 42 x 6	5.0 - 5.5
RTS-50-120-7-AB	16.5	1.50	16	1.50 x 54 x 6	5.5 - 6.0
RTS-50-130-7-AB	18	1.50	17	1.50 x 54 x 6	5.5 - 6.0
RTS-50-130-3-AB	18	1.75	17	1.75 x 84 x 6	6.25 - 6.75

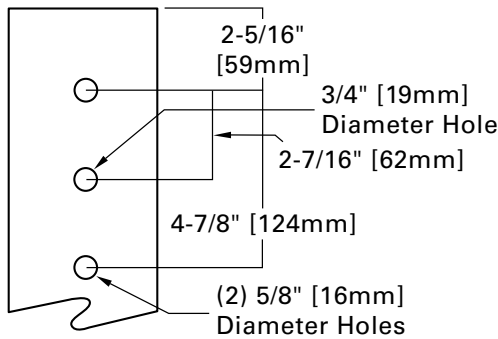
**NOTES:**

Dimensions in inches

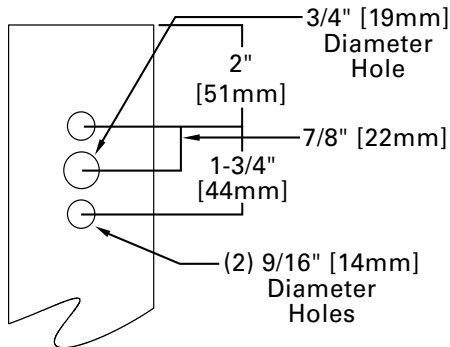
1. Anchor Bolts and template included.

### Drill Pattern Details

#### TYPE "M"



#### TYPE "N"



Single  
M1, N1



2 at 180°  
M2, N2



3 at 120°  
M3, N3



4 at 90°  
M4, N4



2 at 90°  
M5, N5



3 at 90°  
M6, N6



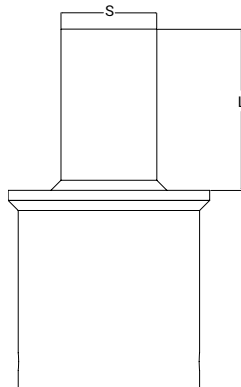
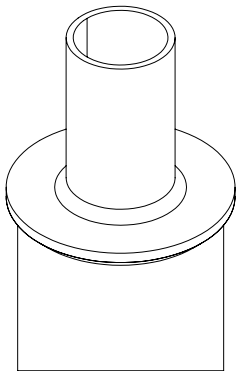
2 at 120°  
M7, N7



Denotes  
handhole  
location

### Tenon Adapter Details

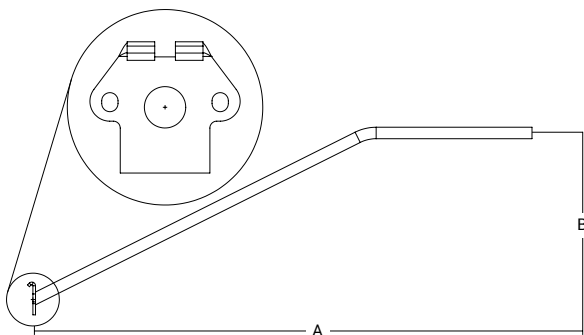
Welded to top of pole with .25" thick plate



Tenon Adapter	Shaft Size - S (in.)	Length - L (in.)
T23S	2-3/8"	4"
T23L	2-3/8"	6"
T300	3"	4"
T350	3.5"	5"
T40S	4"	6"
T40L	4"	10"

### CLS Simplex Fitting Details

Simplex fitting welded to pole to match simplex-ready arms. Positioning on pole based on preferred arm length and rise.



Arm with simplex-capable plate (shown as reference)

Pole CAT logic	Tip Diameter <sup>1,2</sup>
RTS-8-45-11	3.4"
RTS-10-45-11	3.1"
RTS-12-45-11	2.8"
RTS-14-52-11	3.2"
RTS-15-52-11	3.1"
RTS-16-52-11	3"
RTS-18-52-11	2.7"
RTS-18-63-11	3.8"
RTS-20-52-11	2.4"
RTS-20-63-11	3.5"
RTS-25-59-11	2.4"
RTS-25-70-11	3.5"
RTS-25-70-7	3.5"
RTS-30-66-11	2.4"
RTS-30-80-11	3.8"
RTS-30-80-7	3.8"
RTS-30-90-11	4.8"
RTS-30-90-7	4.8"
RTS-35-85-11	3.6"
RTS-35-90-11	4.1"
RTS-35-90-7	4.1"
RTS-39-90-11	3.5"
RTS-39-90-7	3.5"
RTS-39-100-11	4.5"
RTS-39-120-7	6.5"
RTS-45-100-11	3.7"
RTS-45-100-7	3.7"
RTS-45-120-7	5.7"
RTS-50-100-11	3"
RTS-50-100-7	3"
RTS-50-120-7	5"
RTS-50-130-7	6"
RTS-50-130-3	6"

#### NOTES:

1. Drill Patterns not available for tip diameters less than 3.5". Tenon Adapter or simplex recommended.
2. Taper Rate 0.14in/ft; diameter size increases for shorter lengths.

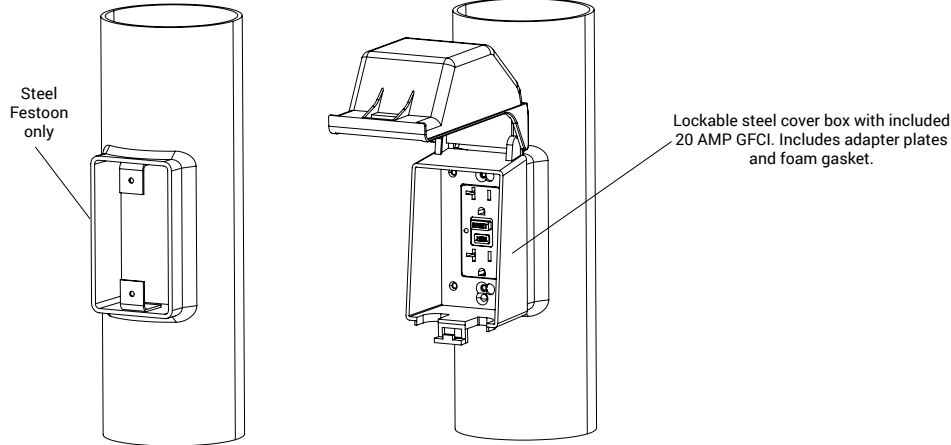
Simplex Option	Arm Catalog Number <sup>1</sup>	Arm Length - A	Arm Rise - B <sup>2</sup>
S13	P200S020SX	2'	13"
S15	P200S026SX	2.5'	15"
S19	P200S040SX	4'	19"
S24	P200S060SX	6'	24"
S30	P200S080SX	7.5'	30"

#### NOTE:

1. "P" series steel arm for steel poles with simplex fitting. Default is galvanized. Add finish to end of CAT logic to match pole. (ex. P200S020SXBK). Order separately.
2. Simplex fitting will be located below pole top by amount shown. Luminaire mounting height will match height of pole on order.

### Convenience Outlet Details

Steel provision welded to pole for use with GFCI, duplex, and single receptacles.



CO/[ABCD][z] - Convenience Outlet  
Less Electrical <sup>1,2</sup>

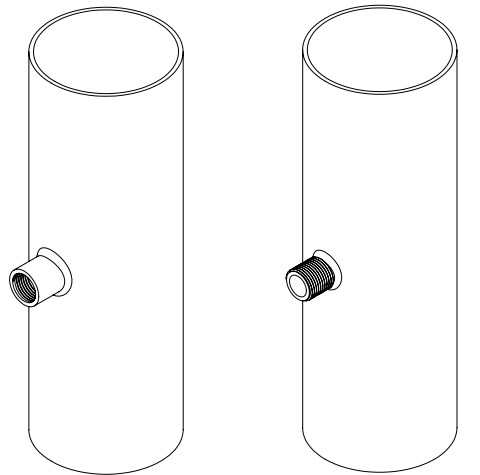
ECO/[ABCD][z] - Convenience Outlet  
with 20A GFCI <sup>1,2</sup>

**NOTES:**

1. Specify quadrant A, B, C, or D using mounting details, pg. 3. Specify height [z] in inches (Min = 12" above base. Max = 6" below pole mounting height). Consult factory for exceptions
2. When location not specified by "[ABCD][z]", the default location will be A48 (same side as handhole, 4-feet from base).

### Couplings (Internal & External Threads) Details

Steel provision welded to pipe for additional luminaire/accessory mounting needs.



Internal thread coupling <sup>1,2</sup>

External thread coupling <sup>1,2</sup>

Internal Coupling	Length (in.)	OD (in.)	ID
ITC050	1.56"	1.07"	1/2" NPT
ITC075	1.63"	1.32"	3/4" NPT
ITC100	2.00"	1.59"	1" NPT
ITC125	2.06"	1.91"	1-1/4" NPT
ITC150	2.06"	2.21"	1-1/2" NPT
ITC200	3.13"	2.76"	2" NPT

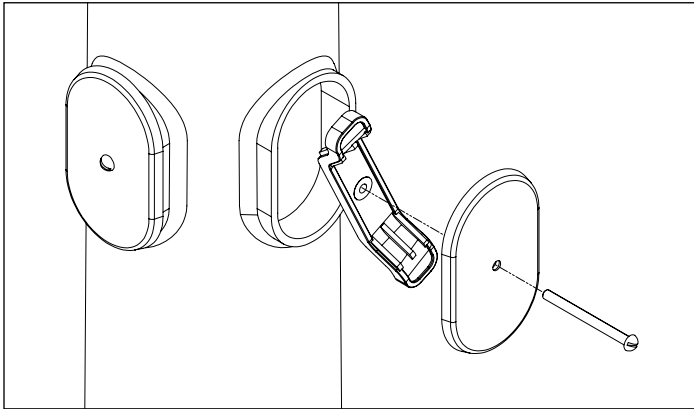
External Coupling	Length (in.)	OD	ID (in.)
ETC050	1.13"	1/2" NPT	.62"
ETC075	1.38"	3/4" NPT	.82"
ETC100	1.50"	1" NPT	1.05"
ETC125	1.63"	1-1/4" NPT	1.38"
ETC150	1.75"	1-1/2" NPT	1.61"
ETC200	2.00"	2" NPT	2.07"

**NOTES:**

1. Specify quadrant A, B, C, or D using mounting details, pg. 3. Specify height [z] in inches (Min = 12" above base. Max = 6" below pole mounting height). Consult factory for exceptions.
2. Specify each one required, maximum of 4, with it's [ABCD][z] location.

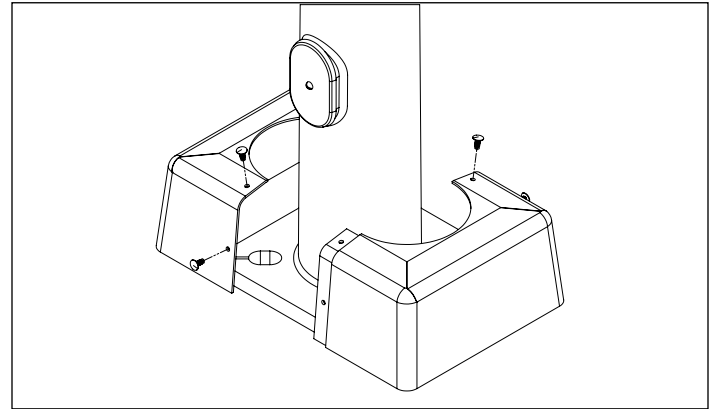
### Extra Handhole with Cover Details

Additional handhole and cover with hardware (specify pole quadrant and height in CAT logic selection)



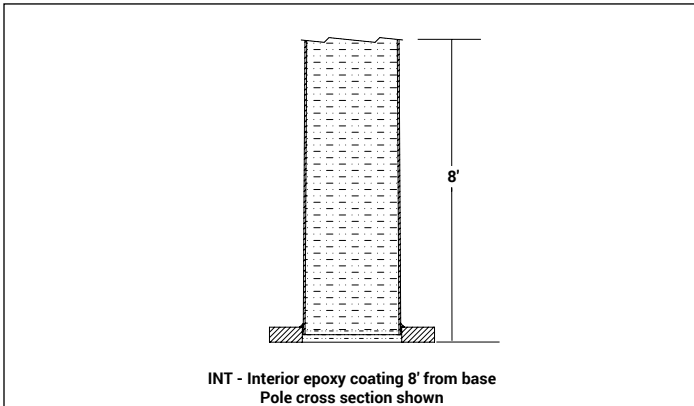
### 2-Piece Base Cover Details

2-Piece ABS Plastic Base Cover with Press-in ABS Hardware (offered in Bronze, Black, and White only – color may not exactly match the specified pole)



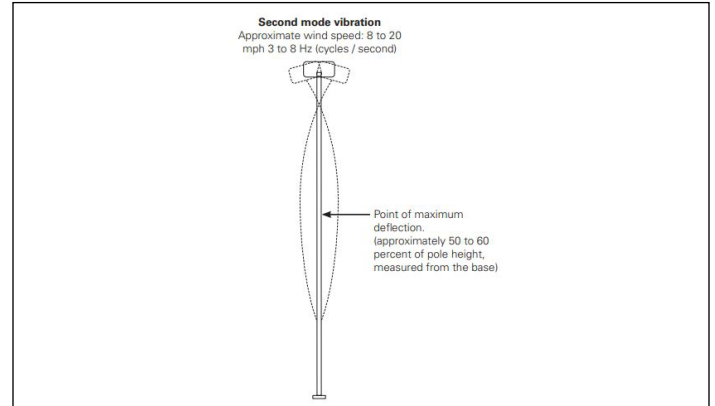
### Internal Coating Details

8 feet maximum from base inside pole; 3 mils of epoxy or "tar"



### Vibration Dampener Details

Factory installed for minimizing 2nd mode vibration <sup>1</sup>

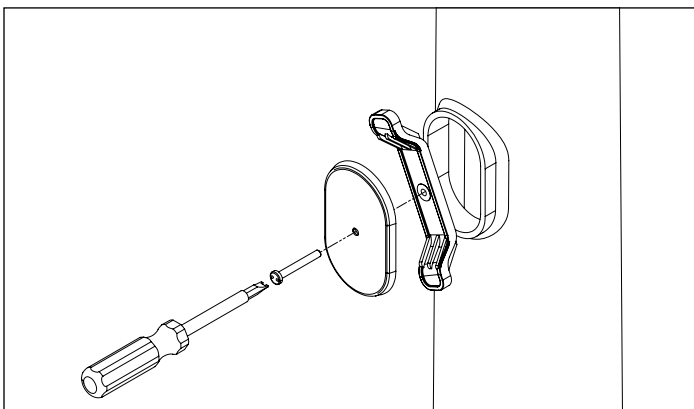


#### NOTES:

1. CLS employs a factory-installed chain dampener enclosed in plastic tubing. For details on vibration mitigation, please see CLS White Paper [WP513001EN](#)

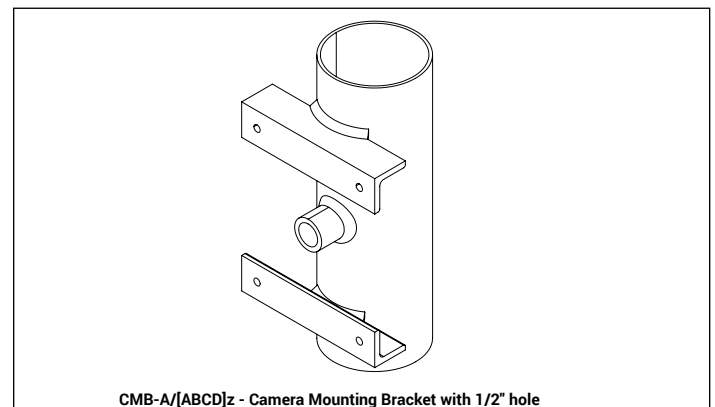
### Tamper Resistant Handhole Cover Details

Handhole cover with included tamper-resistant fastener and screwdriver



### Camera Mounting Bracket Details



Welded bracket provision for camera mounting



#### NOTES:

1. Specify quadrant A, B, C, or D using mounting details, pg. 3. Specify height [z] in inches.  
2. Drill pattern matches Axis® TQ5001-E pole mount for M55, P56, and Q60 cameras. Stainless steel 1/4-20 bolts with nylon lock nut recommended.  
3. For any other camera application, please specify via drawing. Additional lead-times may apply.

### Certification Details

Certification	Description
	CSA: CSA® listed with label
	UL: UL® listed with label (includes NEC)

### Finish Options

Finish	Description
<b>DP1</b>	DuraPro Level 1 -- Premium finish minimizes corrosion risk, extends finish life, and improves adhesion
<b>DP3</b>	DuraPro Level 3 -- Galvanization after fabrication plus premium finish provides superior corrosion resistance, adhesion, and extended finish life

### Anchor Bolt Shipping Options (Add as suffix)

Standard Kits = 4 fully galvanized anchor bolts, 8 galvanized nuts & washers, and template

Option	Description
<b>L/AB</b>	Less Anchor Bolts and Template Kit <i>Ex. RTS-8-45-11-AB-BZ-L/AB</i>
<b>EAB</b>	Anchor Bolts and Template Kit Shipped Early (Supports starting the foundation quickly) <i>Ex. RTS-8-45-11-AB-BZ-EAB</i>

### Additional Services Offered

Services are offered to support the engineering and design community when required.

Service	Description
<b>DSGN-FOUNDATION-[XX]</b> <sup>1,3</sup>	Foundation Design; per pole type, per revision
<b>DSGN-PE-POLE-[XX]</b> <sup>1</sup>	Professional Engineering Stamped Drawings; per pole type, per revision
<b>DSGN-POLE-CALCULATIONS</b> <sup>2</sup>	Pole Calculations; per pole type, per revision
<b>DSGN-POLE-SUBMITTALS</b> <sup>2</sup>	Pole submittal Drawings; per pole type per revision

**NOTES:**

1. XX to be replaced by state abbreviation (EX. DSGN-FOUNDATION-GA).
2. Original and first revision free of charge.
3. Available only in AL, AR, CT, FL, GA, IA, KS, KY, MA, MI, MN, NC, ND, NE, NV, PA, SC, SD, TN, TX, WA, WI, and WY

### AASHTO Certification Data

ASCE 7-93 EPA [SQ. FT] WITH 1.3 GUST (COMMONLY USED STANDARDS) <sup>1, 2, 3, 4</sup>

Catalog Number	80 MPH		90 MPH		100 MPH		110 MPH	
	Max EPA (sq. ft)	Max Fixture Load (lb)	Max EPA (sq. ft)	Max Fixture Load (lb)	Max EPA (sq. ft)	Max Fixture Load (lb)	Max EPA (sq. ft)	Max Fixture Load (lb)
RTS-8-45-11-AB	37.9	947.5	29.7	742.5	23.9	597.5	19.7	492.5
RTS-10-45-11-AB	29.8	745	23.3	582.5	18.6	465	15.2	380
RTS-12-45-11-AB	23.4	585	18.6	465	14.7	367.5	12	300
RTS-14-52-11-AB	27.8	695	21.5	537.5	17.21	430.25	14.11	352.75
RTS-15-52-11-AB	20.4	510	16.5	412.5	12.6	315	10.2	255
RTS-16-52-11-AB	18.9	472.5	14.4	360	11.5	287.5	9.3	232.5
RTS-18-52-11-AB	16.2	405	12.3	307.5	9.7	242.5	7.7	192.5
RTS-18-63-11-AB	24.8	620	19.2	480	15.2	380	12.3	307.5
RTS-20-52-11-AB	13.4	335	10.1	252.5	8.2	205	6.5	162.5
RTS-20-63-11-AB	21.6	540	16.6	415	13	325	10.4	260
RTS-25-59-11-AB	10.4	260	7.6	190	5.6	140	4.2	105
RTS-25-70-11-AB	22.3	557.5	16.8	420	12.9	322.5	10.3	257.5
RTS-25-70-7-AB	22.3	557.5	16.8	420	12.9	322.5	10.3	257.5
RTS-30-66-11-AB	11.6	290	8.4	210	6.1	152.5	4.4	110
RTS-30-80-11-AB	16.7	417.5	12.2	305	9.5	237.5	7.5	187.5
RTS-30-80-7-AB	29.7	742.5	22.5	562.5	17.8	445	14.4	360
RTS-30-90-11-AB	19.3	482.5	14.7	367.5	11.6	290	9.3	232.5
RTS-30-90-7-AB	34.5	862.5	26.8	670	21.3	532.5	19.8	495
RTS-35-85-11-AB	12.2	305	8.9	222.5	6.5	162.5	4.8	120
RTS-35-90-11-AB	14.7	367.5	10.8	270	8.1	202.5	6.3	157.5
RTS-35-90-7-AB	27.7	692.5	21.1	527.5	16.4	410	13.2	330
RTS-39-90-11-AB	11.8	295	8.3	207.5	5.9	147.5	4.2	105
RTS-39-90-7-AB	25.8	645	17.6	440	13.3	332.5	10.4	260
RTS-39-100-11-AB	12.8	320	9.2	230	7	175	5.3	132.5
RTS-39-120-7-AB	31.9	797.5	24.6	615	19.4	485	15.3	382.5
RTS-45-100-11-AB	8.9	222.5	5.6	140	3.8	95	2.6	65
RTS-45-100-7-AB	19.8	495	14.2	355	10.7	267.5	8.4	210
RTS-45-120-7-AB	40.5	1012.5	31.3	782.5	24.7	617.5	19.6	490
RTS-50-100-11-AB	5.6	140	2.9	72.5	1.3	32.5	0.5	12.5
RTS-50-100-7-AB	14.2	355	9.7	242.5	6.8	170	5.1	127.5
RTS-50-120-7-AB	30	750	22.9	572.5	17.9	447.5	14.1	352.5
RTS-50-130-7-AB	32.7	817.5	25.1	627.5	19.5	487.5	15.4	385
RTS-50-130-3-AB	47.5	1187.5	36.8	920	29	725	23.2	580

**NOTES:**

1. Maximum weight based on 25 pounds per square foot of EPA. Weights lower than maximum will result in higher EPA values.
2. EPAs based on shaft properties with wind normal to flat. EPAs calculated using base wind velocity as indicated plus 30% gust factor.
3. For pole heights that are not shown, use the values for taller poles.
4. The Cooper Lighting Solutions on-line configurator has detailed maximum EPA and weight to refine the design.

### LATEST FLORIDA BUILDING CODES & AASHTO STANDARDS EPA [SQ. FT] (WITH 3SEC GUST) - 100 LBS FIXTURE LOAD <sup>1, 2, 3, 4</sup>

Catalog Number	90 MPH		100 MPH		110 MPH		120 MPH		130 MPH		140 MPH		150 MPH		160 MPH		170 MPH		180 MPH	
	Max EPA (sq. ft)	Max Fixture Load (lb)	Max EPA (sq. ft)	Max Fixture Load (lb)	Max EPA (sq. ft)	Max Fixture Load (lb)	Max EPA (sq. ft)	Max Fixture Load (lb)	Max EPA (sq. ft)	Max Fixture Load (lb)	Max EPA (sq. ft)	Max Fixture Load (lb)	Max EPA (sq. ft)	Max Fixture Load (lb)	Max EPA (sq. ft)	Max Fixture Load (lb)	Max EPA (sq. ft)	Max Fixture Load (lb)	Max EPA (sq. ft)	Max Fixture Load (lb)
RTS-8-45-11-AB	74.5	100	60	100	49.2	100	41.1	100	37.7	100	29.7	100	25.7	100	22.4	100	20.4	100	18.1	100
RTS-10-45-11-AB	59.1	100	47.5	100	38.9	100	32.4	100	27.3	100	23.3	100	20	100	17.4	100	15.2	100	14.1	100
RTS-12-45-11-AB	48.6	100	39	100	31.8	100	26.4	100	22.1	100	18.8	100	16.1	100	13.9	100	12	100	11.3	100
RTS-14-52-11-AB	45.7	100	36.5	100	29.6	100	24.4	100	20.4	100	17.1	100	14.5	100	13.7	100	11.9	100	10.4	100
RTS-15-52-11-AB	42.32	100	33.7	100	27.3	100	22.4	100	18.6	100	15.6	100	13.2	100	12.5	100	10.9	100	9.5	100
RTS-16-52-11-AB	38.9	100	30.1	100	25	100	20.5	100	16.9	100	14.2	100	11.9	100	11.4	100	9.9	100	8.6	100
RTS-18-52-11-AB	33.2	100	26.3	100	21.1	100	17.2	100	14.2	100	11.8	100	9.8	100	9.6	100	8.3	100	7.2	100
RTS-18-63-11-AB	65.3	100	52	100	42.3	100	34.8	100	30.8	100	26.2	100	22.5	100	19.5	100	17	100	14.9	100
RTS-20-52-11-AB	28.8	100	22.7	100	18.1	100	14.7	100	12	100	9.9	100	8.2	100	8.2	100	7	100	6.1	100
RTS-20-63-11-AB	56.8	100	45.1	100	48.3	100	30	100	26.8	100	22.7	100	19.4	100	16.8	100	14.6	100	12.7	100
RTS-25-59-11-AB	20.2	100	15.6	100	12.2	100	9.5	100	7.4	100	7.6	100	6.3	100	5.3	100	4.4	100	3.6	100
RTS-25-70-11-AB	41.2	100	32.3	100	28	100	23	100	19.1	100	16.1	100	13.6	100	11.5	100	9.8	100	8.4	100
RTS-25-70-7-AB	41.2	100	32.3	100	28	100	23	100	19.1	100	16.1	100	13.6	100	11.5	100	9.8	100	8.4	100
RTS-30-66-11-AB	32.1	100	25	100	19.7	100	18	100	14.9	100	12.4	100	10.4	100	8.7	100	7.4	100	6.2	100
RTS-30-80-11-AB	34.7	100	29.2	100	23.4	100	19	100	15.5	100	12.8	100	10.6	100	8.8	100	7.3	100	6.1	100
RTS-30-80-7-AB	59.5	100	49.2	100	39.9	100	32.8	100	27.4	100	23	100	19.5	100	16.64	100	14.25	100	12.25	100
RTS-30-90-11-AB	41.9	100	32.9	100	26.3	100	21.3	100	17.4	100	14.3	100	11.8	100	9.8	100	8.1	100	6.6	100
RTS-30-90-7-AB	70	100	55.7	100	45.2	100	37.1	100	30.9	100	25.9	100	21.9	100	18.7	100	16	100	13.7	100
RTS-35-85-11-AB	29.3	100	22.8	100	18	100	14.3	100	11.5	100	9.2	100	7.4	100	5.9	100	4.7	100	3.6	100
RTS-35-90-11-AB	33.6	100	26.2	100	20.7	100	16.5	100	13.3	100	10.7	100	8.6	100	6.7	100	5.6	100	4.4	100
RTS-35-90-7-AB	56.9	100	45.1	100	36.3	100	29.6	100	24.5	100	20.3	100	17	100	14.3	100	12.1	100	10.2	100
RTS-39-90-11-AB	28.6	100	22.1	100	17.3	100	13.7	100	10.8	100	8.6	100	6.7	100	5.3	100	4	100	3	100
RTS-39-90-7-AB	49.1	100	38.7	100	31	100	25.2	100	20.6	100	17	100	14.1	100	11.7	100	9.8	100	8.1	100
RTS-39-100-11-AB	30.4	100	23.4	100	18.2	100	14.2	100	11.1	100	8.7	100	6.7	100	5.1	100	3.8	100	2.6	100
RTS-39-120-7-AB	61.3	100	48	100	38.2	100	30.7	100	24.9	100	20.3	100	16.5	100	13.5	100	10.9	100	8.8	100
RTS-45-100-11-AB	17.4	100	12.2	100	8.4	100	5.6	100	3.5	100	1.9	100	0.6	100	0	100	0	100	0	100
RTS-45-100-7-AB	32	100	23.5	100	17.5	100	13.1	100	9.7	100	7.1	100	5	100	3.4	100	2	100	1	100
RTS-45-120-7-AB	76	100	59.8	100	47.8	100	38.7	100	31.6	100	26	100	21.4	100	17.7	100	14.6	100	12	100
RTS-50-100-11-AB	13	100	8.7	100	5.6	100	3.2	100	1.5	100	0.1	100	0	100	0	100	0	100	0	100
RTS-50-100-7-AB	25	100	18.1	100	13.1	100	9.4	100	6.6	100	4.4	100	2.7	100	1.4	100	0.3	100	0	100
RTS-50-120-7-AB	50.8	100	37.8	100	28.4	100	21.5	100	16.2	100	12.1	100	8.9	100	6.3	100	4.2	100	2.4	100
RTS-50-130-7-AB	68.9	100	53.7	100	42.5	100	33.9	100	27.3	100	22	100	17.8	100	14.3	100	11.4	100	9	100
RTS-50-130-3-AB	96.6	100	76.4	100	61.3	100	49.7	100	40.7	100	33.6	100	27.9	100	23.1	100	19.2	100	16	100

**NOTES:**

1. The maximum EPA values are based upon the published maximum weight noted. Lower weights will result in higher EPA values.
2. Includes Florida Building Code 2023/2020, AASHTO LRFD-LTS-1, and ASCE-7 standards.
3. For pole heights that are not shown, use the values for taller poles.
4. The Cooper Lighting Solutions on-line configurator has detailed maximum EPA and weight to refine the design.

### LATEST FLORIDA BUILDING CODES & AASHTO STANDARDS EPA [SQ. FT] (WITH 3SEC GUST) - 400 LBS FIXTURE LOAD <sup>1, 2, 3, 4</sup>

Catalog Number	90 MPH		100 MPH		110 MPH		120 MPH		130 MPH		140 MPH		150 MPH		160 MPH		170 MPH		180 MPH	
	Max EPA (sq. ft)	Max Fixture Load (lb)	Max EPA (sq. ft)	Max Fixture Load (lb)	Max EPA (sq. ft)	Max Fixture Load (lb)	Max EPA (sq. ft)	Max Fixture Load (lb)	Max EPA (sq. ft)	Max Fixture Load (lb)	Max EPA (sq. ft)	Max Fixture Load (lb)	Max EPA (sq. ft)	Max Fixture Load (lb)	Max EPA (sq. ft)	Max Fixture Load (lb)	Max EPA (sq. ft)	Max Fixture Load (lb)	Max EPA (sq. ft)	Max Fixture Load (lb)
RTS-8-45-11-AB	74.9	400	60.3	400	49.6	400	41.4	400	34.9	400	29.9	400	25.8	400	22.4	400	20.5	400	18.2	400
RTS-10-45-11-AB	59.5	400	47.8	400	39.2	400	32.6	400	27.5	400	23.4	400	20.2	400	17.5	400	15.3	400	14.2	400
RTS-12-45-11-AB	48.9	400	39.2	400	32	400	26.6	400	22.3	400	18.9	400	16.2	400	14	400	12.1	400	11.5	400
RTS-14-52-11-AB	46	400	36.7	400	29.8	400	24.6	400	20.5	400	17.3	400	14.7	400	13.8	400	12	400	10.5	400
RTS-15-52-11-AB	42.6	400	33.9	400	27.5	400	22.6	400	18.8	400	15.7	400	13.3	400	12.6	400	11	400	9.6	400
RTS-16-52-11-AB	39.2	400	31.1	400	25.1	400	20.6	400	17.1	400	14.3	400	12	400	11.5	400	10	400	8.7	400
RTS-18-52-11-AB	33.4	400	26.4	400	21.3	400	17.3	400	14.3	400	11.9	400	9.9	400	9.7	400	8.4	400	7.2	400
RTS-18-63-11-AB	65.6	400	52.2	400	42.4	400	35	400	30.9	400	26.3	400	22.6	400	19.6	400	17.1	400	14.9	400
RTS-20-52-11-AB	29	400	22.8	400	18.3	400	14.8	400	12.1	400	10	400	8.2	400	8.3	400	7.1	400	6.1	400
RTS-20-63-11-AB	57	400	45.3	400	36.7	400	30.1	400	26.9	400	22.8	400	19.5	400	16.8	400	14.6	400	12.8	400
RTS-25-59-11-AB	20.4	400	15.7	400	12.2	400	9.6	400	7.5	400	7.7	400	6.4	400	5.3	400	4.4	400	3.7	400
RTS-25-70-11-AB	41.3	400	32.4	400	28.1	400	23.1	400	19.2	400	16.1	400	13.6	400	11.6	400	9.9	400	8.5	400
RTS-25-70-7-AB	41.3	400	32.4	400	28.1	400	23.1	400	19.2	400	16.1	400	13.6	400	11.6	400	9.9	400	8.5	400
RTS-30-66-11-AB	32.3	400	25.1	400	19.8	400	18	400	14.9	400	12.4	400	10.4	400	8.8	400	7.4	400	6.3	400
RTS-30-80-11-AB	34.9	400	29.3	400	23.5	400	19	400	15.6	400	12.9	400	10.6	400	8.8	400	7.3	400	6.1	400
RTS-30-80-7-AB	59.6	400	49.3	400	40	400	32.9	400	27.4	400	23.1	400	19.5	400	16.7	400	14.3	400	12.3	400
RTS-30-90-11-AB	42	400	33.1	400	26.4	400	21.4	400	17.5	400	14.4	400	11.9	400	9.8	400	8.1	400	6.7	400
RTS-30-90-7-AB	70.1	400	55.8	400	45.3	400	37.2	400	31	400	26	400	22	400	18.7	400	16	400	13.7	400
RTS-35-85-11-AB	29.5	400	22.9	400	18.1	400	14.4	400	11.6	400	9.3	400	7.4	400	5.9	400	4.7	400	3.7	400
RTS-35-90-11-AB	33.7	400	26.3	400	20.8	400	16.6	400	13.3	400	10.8	400	8.7	400	6.9	400	5.6	400	4.4	400
RTS-35-90-7-AB	57	400	45.2	400	36.4	400	29.7	400	24.5	400	20.4	400	17.1	400	14.3	400	12.1	400	10.2	400
RTS-39-90-11-AB	28.7	400	22.2	400	17.4	400	13.7	400	10.9	400	8.6	400	6.8	400	5.3	400	4.1	400	3	400
RTS-39-90-7-AB	49.2	400	38.8	400	31.1	400	25.3	400	20.7	400	17.1	400	14.2	400	11.8	400	9.8	400	8.1	400
RTS-39-100-11-AB	30.5	400	23.5	400	18.3	400	14.3	400	11.2	400	8.7	400	6.8	400	5.1	400	3.8	400	2.7	400
RTS-39-120-7-AB	61.5	400	48.2	400	38.3	400	30.1	400	25	400	20.3	400	16.6	400	13.5	400	11	400	8.9	400
RTS-45-100-11-AB	17.5	400	12.2	400	8.5	400	5.7	400	3.5	400	1.9	400	0.6	400	0	400	0	400	0	400
RTS-45-100-7-AB	32	400	23.6	400	17.6	400	13.1	400	9.7	400	7.1	400	5	400	3.4	400	2	400	0.9	400
RTS-45-120-7-AB	76.2	400	59.9	400	47.9	400	38.8	400	31.7	400	26	400	21.5	400	17.7	400	14.6	400	12.1	400
RTS-45-120-7-AB	76.2	400	59.9	400	47.9	400	38.8	400	31.7	400	26	400	21.5	400	17.7	400	14.6	400	12.1	400
RTS-50-100-11-AB	13.1	400	8.7	400	5.6	400	3.3	400	1.5	400	0.2	400	0	400	0.2	400	0	400	0	400
RTS-50-100-7-AB	25.1	400	18.1	400	13.1	400	9.4	400	6.6	400	4.5	400	2.8	400	1.4	400	0.3	400	0	400
RTS-50-120-7-AB	50.9	400	37.9	400	28.5	400	21.5	400	16.2	400	12.1	400	8.9	400	6.3	400	4.2	400	2.4	400
RTS-50-130-7-AB	69	400	53.8	400	42.5	400	34	400	27.3	400	22.1	400	17.8	400	14.3	400	11.4	400	9	400
RTS-50-130-3-AB	97	400	76.5	400	61.3	400	49.8	400	40.8	400	33.7	400	27.9	400	23.2	400	19.3	400	16	400

- NOTES:**
1. The maximum EPA values are based upon the published maximum weight noted. Lower weights will result in higher EPA values.
  2. Includes Florida Building Code 2023/2020, AASHTO LRFD-LTS-1, and ASCE-7 standards.
  3. For pole heights that are not shown, use the values for taller poles.
  4. The Cooper Lighting Solutions on-line configurator has detailed maximum EPA and weight to refine the design.

### Considerations

#### DESIGN CONSIDERATIONS - VIBRATIONS AND NON-GROUND MOUNTED INSTALLATIONS

---

The information contained herein is for general guidance only and is not a replacement for professional judgment. Design considerations for wind induced vibrations and non-ground mounted installations (e.g., installations on bridges or buildings) are not included in this document. Consult with a professional, and local and federal standards, before ordering to ensure product is appropriate for the intended purpose and installation location. Refer to the Cooper Lighting Solutions Light Pole White Paper for risk factors and design considerations. [Learn more.](#)

**NOTE:** The [Limited warranty](#) for this product specifically excludes fatigue failure or similar damage resulting from vibration, harmonic oscillation or resonance.

Specifications and dimensions subject to change without notice. Consult your lighting representative at Cooper Lighting Solutions or visit [www.cooperlighting.com](http://www.cooperlighting.com) for available options, accessories and ordering information.

#### VIBRATION

---

Vibrations may cause damage to structures, including poles. Vibrations are unpredictable, and there are many factors and variables that can cause damaging vibrations. Many wind conditions exist that can create damaging vibrations to poles and luminaires, such as constant winds between 10-30 mph. Although all pole types can experience vibration, straight square poles seem to be most prone. Vibration dampeners and/or a round tapered design may be used to mitigate damage from vibrations, but there is no guarantee damaging vibrations will be prevented. Vibration dampeners are not included with this pole but can be ordered separately. Consult with a professional, and local and federal standards, to ensure this pole is appropriate for the intended purpose and installation location. Refer to Cooper Lighting Solutions' Light Pole [White Paper](#) for risk factors and design considerations.

#### MAINTENANCE

---

Perform inspections periodically. A prudent inspection schedule would be: one week after installation, one month after installation, yearly after installation, and following any major wind event. During the inspection, check the poles for cracks. If cracks are detected, remedial action is required. Recheck anchor bolt torques and re-tighten according to the recommended torque values. Check for missing covers and pole caps and replace as necessary. Check the pole for corrosion and deterioration of the finish. Should there be corrosion or deterioration, take remedial action to correct.

**WARNING:** Customer is responsible for engineering analysis to confirm pole and fixture compatibility for all applications. Refer to pole white paper [WP513001EN](#) for additional support information. Before installing, make sure proper anchor bolts and templates are obtained. The use of unauthorized accessories such as banners, signs, cameras or pennants for which the pole was not designed voids the pole warranty and may result in pole failure causing serious injury or property damage. Information regarding total loading capacity can be supplied upon request. The pole warranty is void unless poles are used and installed as a complete pole and luminaire combination. This warranty specifically excludes failure as the result of a third party act or omission, misuse, unanticipated uses, fatigue failure or similar phenomena resulting from induced vibration, harmonic oscillation or resonance associated with movement of air currents around the product.

Specifications and dimensions subject to change without notice. Consult your lighting representative at Cooper Lighting Solutions or visit [www.cooperlighting.com](http://www.cooperlighting.com) for available options, accessories, and ordering information.