

Project		Catalog #		Type	
Prepared by		Notes		Date	



Lumière

Atlantis 1409

LED / Halogen
Underwater

Typical Applications

- Hospitality • Commercial Landscape • Outdoor Area/Site • Residential
- Architectural • Under water

Interactive Menu

- Order Information [page 2](#)
- Atlantis 1409 MR16 Halogen Photometric Data [page 3](#)
- Atlantis 1409 LED Photometric Data [page 4](#)
- Product Warranty

Product Certification



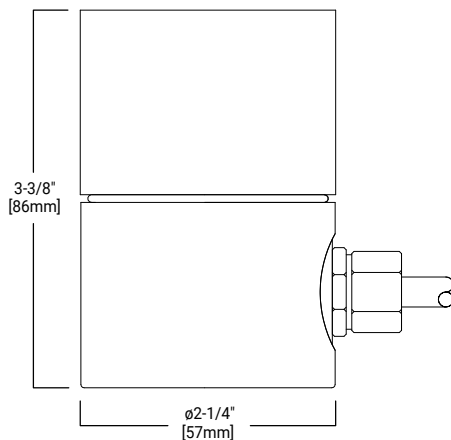
Product Features



Top Product Features

- Miniature 2-1/4" diameter uplight
- Includes 15' low-voltage SJO cord
- Precision-machined C932 bronze or 303 or 304 stainless steel
- Stainless steel hardware
- Holds up to three optical accessories
- Three-year warranty

Dimensions



Atlantis 1409

TECHNICAL DATA
8W LED
75W (max.) MR16
Low Voltage

Order Information

SAMPLE ORDER NUMBER: 1409-8LED3025-12-NBZ

Domestic Preferences	Series	Source (for LED, select from each column and combine)			Voltage	Finish	Options
[Blank] =Standard BAA =Buy American Act	1409 =LED or MR16 Atlantis Underwater fixture, 75W Max	75MR16 =75W max. Halogen MR16 (lamp not included) 20MR16 =20W max. Halogen MR16 (lamp not included)			12=12V	NBZ =Natural Bronze ⁽¹⁾ NSS =Natural Stainless Steel	BMP =6" Bronze Mounting Plate SMP =6" Stainless Steel Mounting Plate
		8LED =8W LED	27 =2700K 30 =3000K 40 =4000K*	10 =10° Spot 25 =25° Narrow 36 =36° Wide			
Notes (2) Only product configurations with this designated prefix are built to be compliant with the Buy American Act of 1933 (BAA). Please refer to DOMESTIC PREFERENCES website for more information. Components shipped separately may be separately analyzed under domestic preference requirements.	Notes	Notes * Not Title 20 compliant.			Notes	Notes (1) For natural bronze ROHS material consult factory.	Notes

Product Specifications

Material

- Housing, hood and optional mounting plate (-BMP, -SMP) are precision machined from corrosion-resistant bronze or stainless steel

Finish

- Solid bronze* or stainless steel finish is unpainted to reveal the natural beauty of the material

Hood

- Hood is removable for easy relamping and accepts up to three internal accessories at once (lenses, louvers, filters) to achieve multiple lighting effects

Gasket

- Housing and hood are sealed with a high temperature silicone o-ring gasket to prevent water intrusion

Lens

- Tempered glass lens, factory sealed with high temperature adhesive to prevent water intrusion and breakage due to thermal shock

Hardware

- Stainless steel hardware is standard to provide maximum corrosion-resistance

Socket

- Ceramic socket with 250° C Teflon® coated lead wires and GU5.3 bi-pin base

Cord & Fitting

- Fixture is equipped with 15 feet of low voltage SJO cord and a machined, solid brass liquid tight fitting
- Please consult factory for longer cord lengths to make connections out of water

Electrical

- Remote 12V transformer required to make connections out of water (not included)
- Use Lumiere model T300 or PX100 only - Available from Lumiere as an accessory - see the Accessories & Technical Data section of the catalog for details
- Initial power draw on LED equipped fixtures is 12 watts
- When sizing transformer use 12 watts per LED fixture
- Nominal power draw after start up is 8 watts
- LEDs are more voltage sensitive than standard halogen MR16 lamps
- The LED module is designed to operate within the range 12V +/- 1.2V
- Any less or more voltage can cause premature failures

Lamp

- Halogen lamp not included
- SORRA LED modules are included and are available in three color temperatures (2700, 3000, and 4000) and three distributions (spot, narrow, and flood)
- Both color temperature and distribution must be specified when ordering
- Soraa lamp compatible (8W Max)

Labels and Approvals

- UL and cUL listed, standard wet label
- Fixture and cord entry to fixture require complete underwater submersion
- IP68 rated
- Manufactured to ISO 9001-2000 Quality Systems Standard
- IBEW union made
- Approved by New York City Department of Buildings, Bureau of Electrical Control for use in NYC, NY
- ROHS Compliant

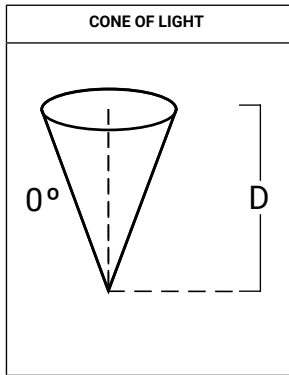
Warranty

- Lumiere warrants its fixtures and LEDs against defects in materials & workmanship for three (3) years
- Auxiliary equipment such as transformers, and lamps carry the original manufacturer's warranty

Atlantis 1409 MR16 Halogen Photometric Data

[View IES files](#)

Horizontal Illuminance on Surface - Atlantis 1409 Standard Recessed Hood - 50W MR16



Filename	1409-50MR16-12-BK-NSP.ies	
Lamp	50W MR16 NSP	
CBCP	11,000	
Distance	FC	Beam Diameter
2'	2550	1'6"
4'	638	1'0"
6'	283	1'6"
8'	159	2'0"
10'	102	3'0"
15'	45	4'0"

Filename	1409-50MR16-12-BK-NFL.ies	
Lamp	50W MR16 NFL	
CBCP	3,200	
Distance	FC	Beam Diameter
2'	725	1'0"
4'	181	2'6"
6'	81	4'0"
8'	45	5'0"
10'	29	6'6"
15'	13	10'0"

CCT MULTIPLIER TABLE

LAMP WATTAGE	MULTIPLIER
20W	0.32
35W	0.57

Filename	1409-50MR16-12-BK-FL.ies	
Lamp	50W MR16 FL	
CBCP	2,000	
Distance	FC	Beam Diameter
2'	431	1'6"
4'	106	3'0"
6'	48	5'0"
8'	27	6'6"
10'	17	8'0"
15'	7	12'0"

Filename	1409-50MR16-12-BK-WFL.ies	
Lamp	50W MR16 WFL	
CBCP	1,200	
Distance	FC	Beam Diameter
2'	269	2'0"
4'	67	4'6"
6'	30	7'6"
8'	17	9'0"
10'	11	11'6"
15'	5	17'0"

NOTES AND FORMULAS

- Beam diameter is to 50% of maximum footcandles, rounded to the nearest half-foot.
- Footcandle values are initial. Apply appropriate light loss factors where necessary.
- Bare lamp data shown. Consult lamp manufacturers to obtain detailed specifications for their lamps.

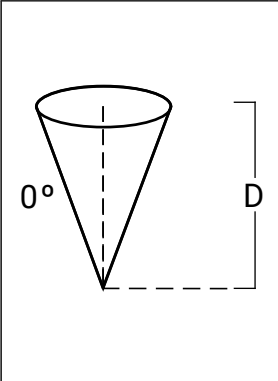
Atlantis 1409 LED Photometric Data

LED Lumen and CBCP Table - 3000K

 View IES files

		Flush Hood			Regressed Hood (Black)			Regressed Hood (Silver)		
		CBCP	LUMENS	LPW	CBCP	LUMENS	LPW	CBCP	LUMENS	LPW
10	BASE	7758	456	57	7188	387	48.4	6554	385	51.4
	+DIFF	1278	372	46.5	1256	286	35.7	1206	303	40.3
	+LSL	1700	402	50.3	1685	328	41	1557	328	43.7
	+LVR	6837	315	39.9	6276	305	38.2	6010	292	38.9
	+OSL	1700	402	50.3	1685	328	41	1557	328	43.7
25	BASE	3454	536	68.7	3285	480	60.8	3026	465	63.6
	+DIFF	977	435	55.7	936	344	43.5	924	361	46.3
	+LSL	1021	482	61.8	999	406	51.4	923	401	54.1
	+LVR	1864	492	63.1	1815	443	56.1	1705	438	57.6
	+OSL	1864	492	63.1	1815	443	56.1	1705	438	57.6
36	BASE	1469	525	68.2	683	339	43.5	1444	474	60.8
	+DIFF	696	432	56.1	616	392	50.3	645	345	44.8
	+LSL	624	476	61.9	1279	324	41.5	622	408	53.6
	+LVR	1322	344	44.7	1197	434	56.3	1242	323	42.5
	+OSL	624	476	61.9	1279	324	41.5	622	408	53.6

Horizontal Illuminance on Surface - Atlantis 1409 Standard Recessed Hood - 3000K

CONE OF LIGHT	Filename: 1409-SS-8LED3010-12-BK.ies			Filename: 1409-SS-8LED3025-12-BK.ies			Filename: 1409-SS-8LED3036-12-BK.ies		
	Test No.: P349425			Test No.: P349675			Test No.: P349585		
	Distance	FC	Beam Diameter	Distance	FC	Beam Diameter	Distance	FC	Beam Diameter
	2'	1939.5	0.4	2'	863.4	0.6	2'	367.2	1
	4'	484.9	0.8	4'	215.9	1.2	4'	91.8	2.2
	6'	215.5	1.2	6'	95.9	1.8	6'	40.8	3.4
	8'	121.2	1.6	8'	54	2.4	8'	22.9	4.6
	10'	77.6	2	10'	34.5	3	10'	14.7	5.8
	15'	34.5	3	15'	15.3	4.6	15'	6.5	8.6
	20'	19.4	4.2	20'	8.6	6.2	20'	3.7	11.6
	30'	8.6	6.2	30'	3.8	9.2	30'	1.6	17.4
	40'	4.8	8.4	40'	2.2	12.4	40'	0.9	23.2

CCT MULTIPLIER TABLE

CCT (K) / COLOR	MULTIPLIER
2700K	1.04
3000K	1.00
4000K	0.78

Note: Multiplier can be used to calculate center beam candle power (CBCP), Lumens and footcandle (FC) values.

TECHNICAL INFORMATION

1. Dimming is dependant on remote transformer compatibility with LED module. Please see compatibility matrix for dimmer switch and transformer selection.
2. When using a magnetic dimmer switch there are two recommended LED compatible 120V magnetic dimming switches: Lutron Ariadni AVLV-600P and Lutron Diva DVLV-600P
3. IMPORTANT: When sizing transformer use 12 watts per LED fixture. Nominal power draw after start up is 8 watts. Any less or more voltage can cause premature failures.