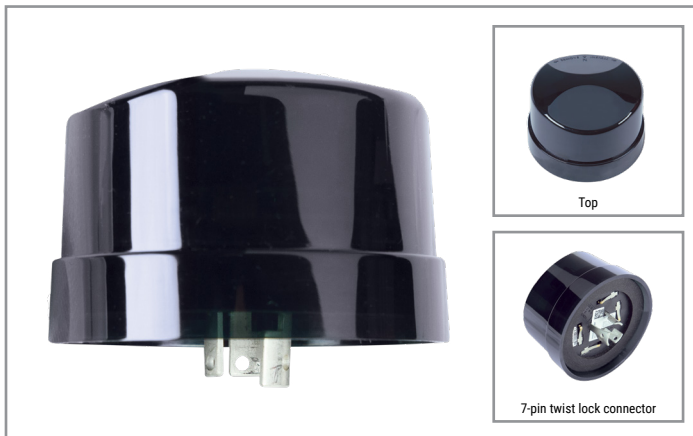


Project		Catalog #		Type	
Prepared by		Notes		Date	



WaveLinX

PRO Outdoor Lighting Control Module (WOLC-7P-10A)

7-Pin 120-347VAC outdoor rated wireless control Module with 0-10V dimming output

Typical Applications

Outdoor • Parking areas • Pathways

Interactive Menu

- Order Information page 2
- Additional Resources page 3
- Installation page 3
- Connected Systems page 4
- Product Warranty



- Meets latest ASHRAE Standard 90.1 requirements
- Meets latest IECC requirements
- Meets latest CEC Title 24 requirements
- Manufactured in an ISO 9001 certified factory

Product Features



Compatibility



Overview

The WaveLinX PRO Outdoor Lighting Control (WOLC) Module extends the WaveLinX system's controls capability to a building's surroundings or site such as parking lots and short pathways.

The PRO Outdoor Lighting Control Module is individually addressable and installs on top of a light pole via an ANSI 136.41-compliant, 7-pin twist-lock connector. It can switch luminaires ON/OFF via an integrated high current relay and dim luminaires equipped with 0-10V dimming drivers or ballasts. It communicates with the WaveLinX Area Controller over an IEEE 802.15.4 network.

Product Features & Benefits

- Installs to ANSI 136.41-compliant 7-pin twist lock connector
- 120-347VAC 50/60Hz input
- IP66 rated enclosure
- Wireless mesh network based on IEEE 802.15.4 standard
- Out of the box photocell switching or connect to WaveLinX Area Controller
- Up to 1000W switching control
- Energy calculations available through WaveLinX CORE based on max load input

Order Information

The WaveLinx PRO Outdoor Lighting Control Module is an accessory to the WaveLinx connected lighting system and requires a WaveLinx Area Controller (WAC) for full functionality.

The wireless relay is used to control plug loads or luminaires that do not include the wireless integrated sensor.

Catalog Number

Catalog Number	Description
WOLC-7P-10A	WaveLinx PRO Outdoor Lighting Control Module
Notes	Notes
	<p>When used as a component in the WaveLinx connected lighting system, WaveLinx PRO system design best practices (including WaveLinx Area Controller placement, line of sight distances, number of hops, etc.) must be followed. For outdoor applications, the WaveLinx Area Controller should be located inside a conditioned building with a line of sight (LOS) through a window to an outdoor sensor (preferable 2-3 sensors) within the range specified below:</p> <p>LOS through a window: Best practice: 200ft (45m) - tinting / shade reduce range by 20ft (6m)</p> <p>No direct LOS, through concrete (up to 7in thick): Best practice: 60ft (18m)</p>

Required Accessories

All WaveLinx connected lighting system accessories require at least one WaveLinx Area Controller (WAC2) for communications. Ensure the bill of material includes one of the following components.

Catalog Number

Catalog Number	Description
WAC2-POE	WaveLinx Area Controller G2, PoE powered
WAC2-120	WaveLinx Area Controller G2 with 120VAC to PoE Injector

Optional Accessories

For connection to 120VAC outlets.

Catalog Number

Catalog Number	Description
WPOE2-120	120VAC to PoE Injector

Product Specifications

Mechanical

Size: Base diameter: 3.3" (84mm), Height: 2.6" (66mm)

Environment:

- **Operating temperature:** -40°F to 150°F (-40°C to 65°C)
- **Storage temperature:** -40° F to 158° F (-40° C to 70° C)
- **Relative humidity operating:** 0% to 95% RH

Mounting: Installs via ANSI C136.41 compliant twist-lock connector

Color: Black

Housing: Injection molded ABS housing with V-0 flame rating. Plenum rated for external mounting.

Electrical

Input Requirements:

- Range input voltage: 120-347VAC
- Rated input current: < 1W at no load
- Rated input frequency: (+/- 10%) 50/60Hz

Power Measurement Accuracy: +/- 1% (0.5 to 10A loads)

Power supply output:

- 10A load rating (electronic driver/ballast, magnetic ballast, resistive load)
- Single class 2 0-10V dimming output capable of sinking up to 10mA

Hardware Specifications

Photocell range: 50 - 1500 lux (typical)

Wireless Specifications

Radio: 2.4GHz

Standard: 802.15.4

Transmitter Power: + 20dBm

Range: Sensor to sensor; 200ft (45m) (LOS best practice)

See notes for WaveLinx Area Controller placement and guidance

System Performance

Maximum number of Devices: 200 per WaveLinx Area Controller (best practice 150 devices)

Standards/Ratings*

- cULus Listed - Energy Management Equipment (UL916)
- FCC Part 15/ECES-003
- Manufactured in an ISO 9001 certified factory
- Meets latest ASHRAE Standard 90.1 requirements
- Meets latest IECC requirements
- Meets latest CEC Title 24 requirements

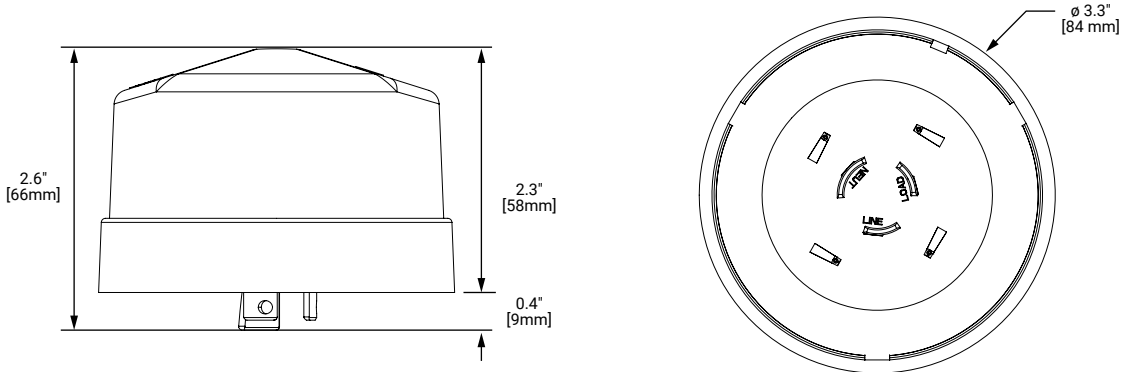
Warranty

Five year warranty standard

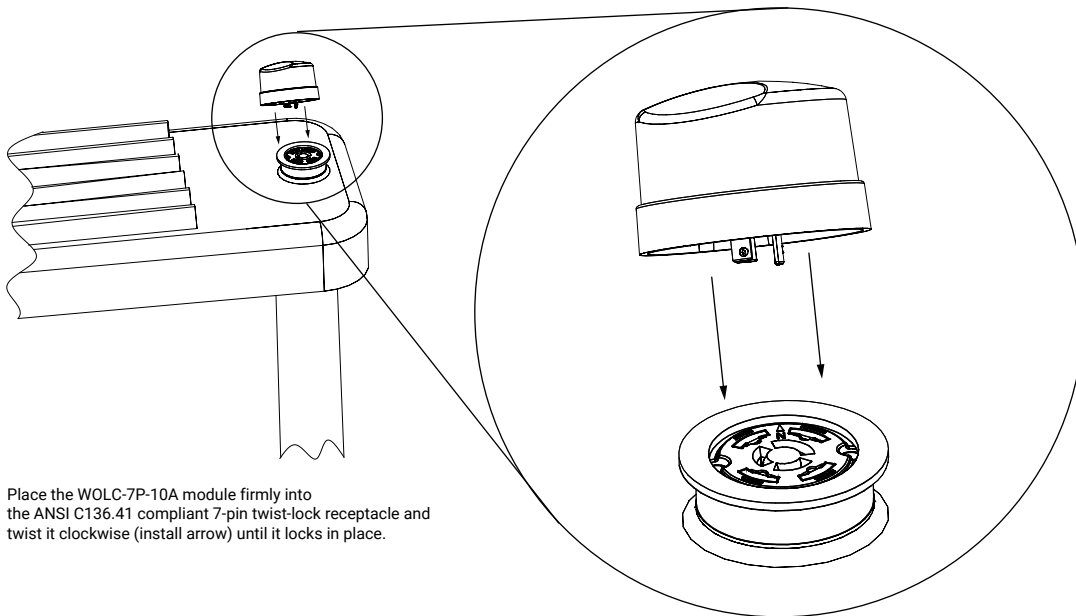
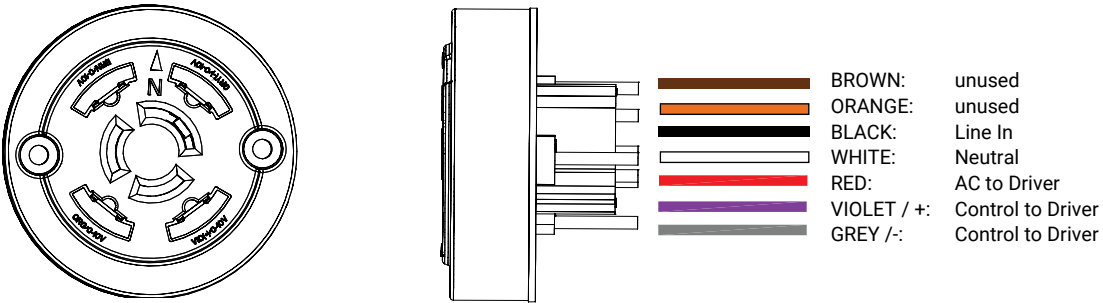


Download the WaveLinx Mobile App from either the Google Play or Apple Store®

Dimensional Details



Installation

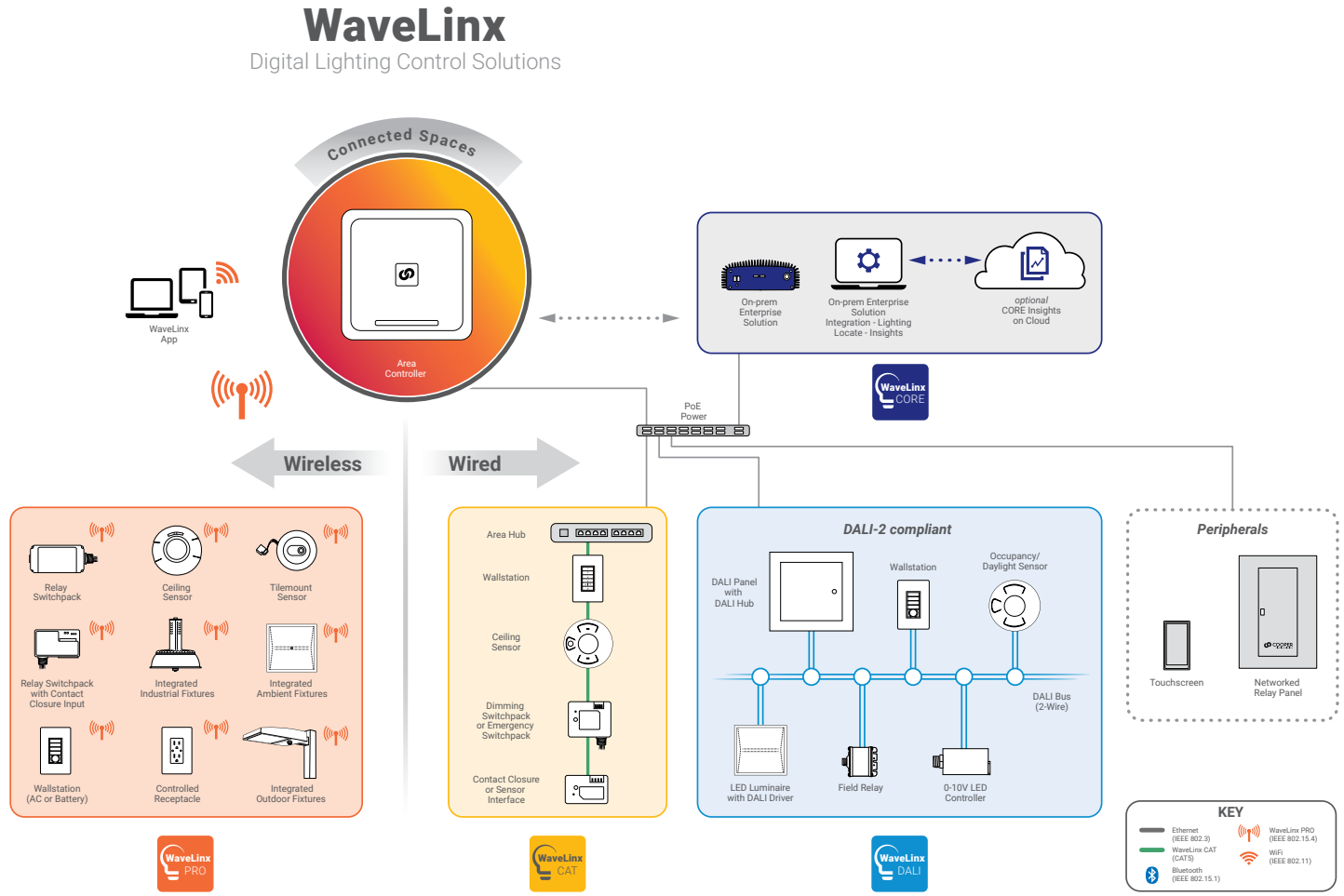


Place the WOLC-7P-10A module firmly into the ANSI C136.41 compliant 7-pin twist-lock receptacle and twist it clockwise (install arrow) until it locks in place.

System Diagram:

This diagram shows the main components of the WaveLinx connected lighting system with WaveLinx DALI, CAT and PRO devices. The PRO devices communicate using wireless mesh technology based on the IEEE 802.15.4 standard. A PoE LAN connection for each WaveLinx Area Controller (WAC) is required for power and data access to the building lighting network. The CAT devices communicate over the category 5 based communication bus and control the light fixtures using a relay (on/off) and 0-10V output (dim/raise). WaveLinx DALI devices communicate via a DALI bus (2 wires), which connects various components including DALI fixtures, a DALI DAC (DALI to 0-10V converter), DALI field relays, DALI wallstations, and DALI occupancy sensors. WaveLinx Area Controllers (WAC) communicate with WaveLinx CORE Apps over the Ethernet network.

[View WaveLinx Network and IT Guidance Technical Guide](#)



Control Systems
• WaveLinx