

DESCRIPTION

The BC Series is an energy efficient luminaire designed for versatility in application and performance. The BC Series features an opal white acrylic refractor that produces a 180° uniform light distribution pattern.

The versatile BC Series combines quality and economy in a multipurpose wall bracket. The luminaire is perfect for illuminating corridors, stairwells, lavatories, dressing rooms, patient rooms, utility/task and area lighting.

Catalog #		Type	
Project			
Comments		Date	
Prepared by			

SPECIFICATION FEATURES

Construction

Housing channel die formed code gauge prime cold rolled steel. Sturdy positive lampholder mounting bracket. Reflector/channel wireway cover secured by quarter-turn fastener for easy wireway access. Channel back has numerous KO's for easy installation. Decorative white opaque injection molded end plates.

Electrical

Ballast are CBM/ETL Class "P" and positively secured by mounting bolts. Pressure lock lampholders. UL/CUL listed. Suitable for damp locations.

Finish

Multistage, iron phosphate pretreatment ensures maximum bonding and rust inhibitor. Painted after fabrication.

Frame/Shielding

Smooth opal 100% virgin acrylic refractor. 180° uniform light distribution (Uplight, Frontal & Downlight). Refractor is securely held in place by removable decorative injection molded white end plates. Refractor can be easily removed for installation and maintenance.

Compliance

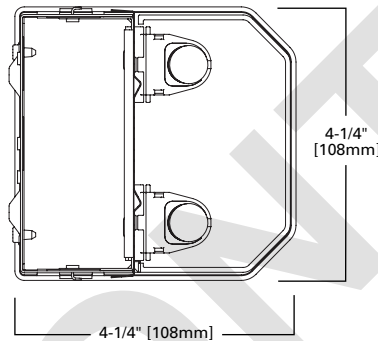
Suitable for use in clothes closets when installed in accordance with the NEC 410.16 spacing requirements. Options to meet Trade Agreements Act requirements.



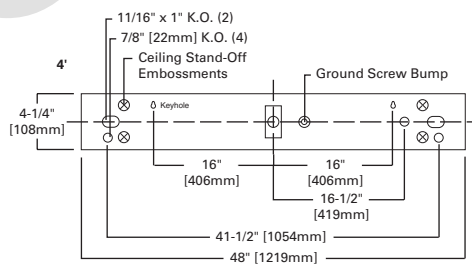
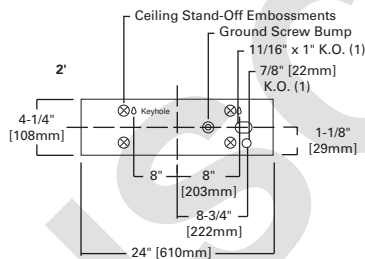
BC
114T5
121T5
128T5
214T5
221T5
228T5

ALL PURPOSE WALL BRACKET

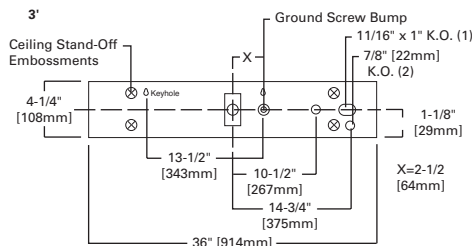
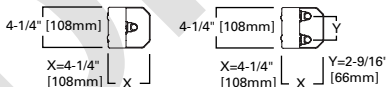
2', 3' OR 4' WALL BRACKET
1 OR 2 LAMP T5



MOUNTING DATA



LAMP CONFIGURATIONS



ENERGY DATA

Input Watts:

EBT Ballast & STD Lamps

114T5 (23), 121T5 (31), 128T5 (37),
214T5 (34), 221T5 (48), 228T5 (60)

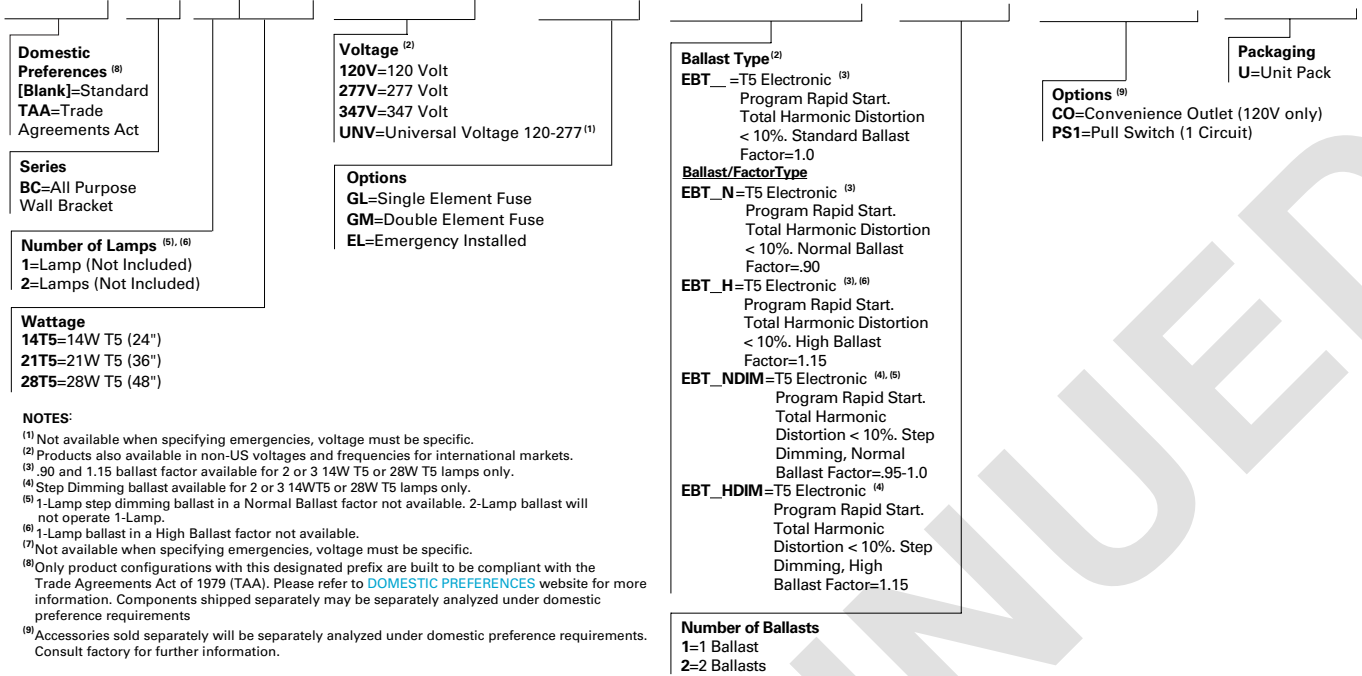
LAMPS CONTAIN MERCURY. DISPOSE ACCORDING
TO LOCAL, STATE OR FEDERAL LAWS

LINEAR DISCONNECT

Safe and convenient means of
disconnecting power.

ORDERING INFORMATION

SAMPLE NUMBER: BC-228T5-UNV-EBT1-U



Domestic Preferences⁽⁸⁾
[Blank]=Standard
TAA=Trade Agreements Act

Series
BC=All Purpose Wall Bracket

Number of Lamps^{(5), (6)}
1=Lamp (Not Included)
2=Lamps (Not Included)

Wattage
14T5=14W T5 (24")
21T5=21W T5 (36")
28T5=28W T5 (48")

NOTES:

- ⁽¹⁾ Not available when specifying emergencies, voltage must be specific.
- ⁽²⁾ Products also available in non-US voltages and frequencies for international markets.
- ⁽³⁾ .90 and 1.15 ballast factor available for 2 or 3 14W T5 or 28W T5 lamps only.
- ⁽⁴⁾ Step Dimming ballast available for 2 or 3 14WT5 or 28W T5 lamps only.
- ⁽⁵⁾ 1-Lamp step dimming ballast in a Normal Ballast factor not available. 2-Lamp ballast will not operate 1-Lamp.
- ⁽⁶⁾ 1-Lamp ballast in a High Ballast factor not available.
- ⁽⁷⁾ Not available when specifying emergencies, voltage must be specific.
- ⁽⁸⁾ Only product configurations with this designated prefix are built to be compliant with the Trade Agreements Act of 1979 (TAA). Please refer to [DOMESTIC PREFERENCES](#) website for more information. Components shipped separately may be separately analyzed under domestic preference requirements
- ⁽⁹⁾ Accessories sold separately will be separately analyzed under domestic preference requirements. Consult factory for further information.

Voltage⁽²⁾
120V=120 Volt
277V=277 Volt
347V=347 Volt
UNV=Universal Voltage 120-277⁽¹⁾

Options
GL=Single Element Fuse
GM=Double Element Fuse
EL=Emergency Installed

Ballast Type⁽²⁾
EBT_=T5 Electronic⁽³⁾
 Program Rapid Start.
 Total Harmonic Distortion < 10%. Standard Ballast
 Factor=1.0

Ballast/FactorType
EBT_N=T5 Electronic⁽³⁾
 Program Rapid Start.
 Total Harmonic Distortion < 10%. Normal Ballast
 Factor=.90

EBT_H=T5 Electronic^{(3), (6)}
 Program Rapid Start.
 Total Harmonic Distortion < 10%. High Ballast
 Factor=1.15

EBT_NDIM=T5 Electronic^{(4), (6)}
 Program Rapid Start.
 Total Harmonic Distortion < 10%. Step Dimming, Normal
 Ballast Factor=.95-1.0

EBT_HDIM=T5 Electronic⁽⁴⁾
 Program Rapid Start.
 Total Harmonic Distortion < 10%. Step Dimming, High
 Ballast Factor=1.15

Number of Ballasts
1=1 Ballast
2=2 Ballasts

Options⁽⁹⁾
CO=Convenience Outlet (120V only)
PS1=Pull Switch (1 Circuit)

Packaging
U=Unit Pack



SHIPPING DATA

Catalog No.	Wt.
BC-114T5	8 lbs.
BC-121T5	10 lbs.
BC-128T5	11 lbs.
BC-214T5	8 lbs.
BC-221T5	10 lbs.
BC-228T5	11 lbs.