

OPTOTRONIC® Power Supply OT96W/24V/UNV/DIM



GENERAL INFORMATION

Item Number	51520
Type	Constant Voltage
Output Power	96W (Max.)
Output Voltage	24V DC
Input	Universal (120-277V)

ELECTRICAL SPECIFICATIONS

Input	
Input Voltage (VAC)	120V-277V (+/- 10%)
Frequency Range (Hz)	50 – 60 Hz (+/- 10%)
Input Current (A)	0.91 @ 120V 0.39 @ 277V
Input Power (W)	111W
THD	< 20%
Power Factor	> 0.95
Inrush Current (A _{pk})	< 55A
Line Regulation	< 5%
Stand-by Power (W)	< 1.5W
Output	
Output Voltage (VDC)	24V (+/- 5%)
Output Current (A)	0.1 – 4.0A
Output Ripple (V)	1V
Efficiency	>85% (Typical)
Load Regulation	<5%

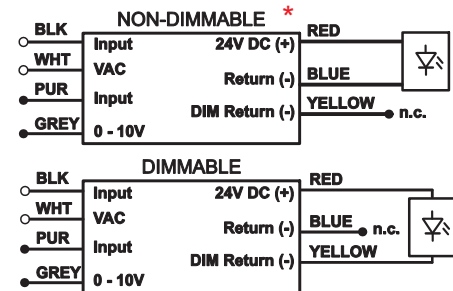
DIMMING

Dimming Control	0 – 10V
Dimming Range	10 – 100%
Dimming Type	PWM
Frequency	250Hz
Dimming Input Isolation	2.5KV

ENVIRONMENTAL SPECIFICATIONS

Ambient Operating Temp	-25 to 40 °C
Max. Case Temp. Tc	75°C
Storage Temp.	-25 to 50 °C
Max. Relative Humidity (%)	96% non-condensing
Surge Protection (KV)	ANSI C62.41 Cat A (2.5KV)
Vibration Rating	3G
Overvoltage Protection	Yes
Short Circuit Protection	Yes
Over-temperature Protection	Yes
UL Environmental Rating	Damp
IP Rating	IP64
EMI Compliance	FCC Part 15 Class A

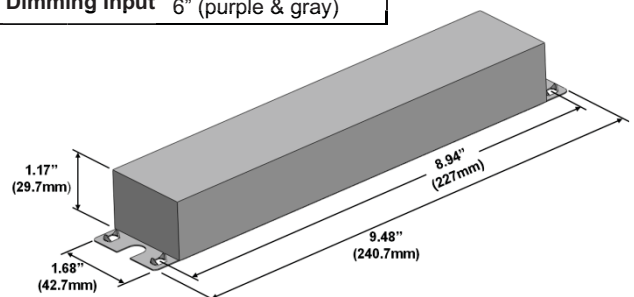
WIRING DIAGRAM



Note: Mounting distance for 18 AWG wire is 15 feet. For additional information on further distances and EMI compliance reference application note LED126.

MECHANICAL DIAGRAM

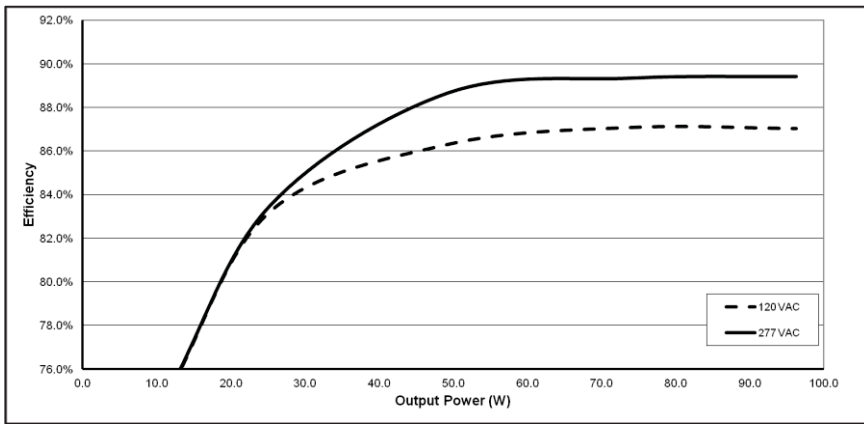
Wiring	Leads Only
Wire Gauge	18AWG
Input Wire	6" (black & White)
Output	6" (red, blue & yellow)
Dimming Input	6" (purple & gray)



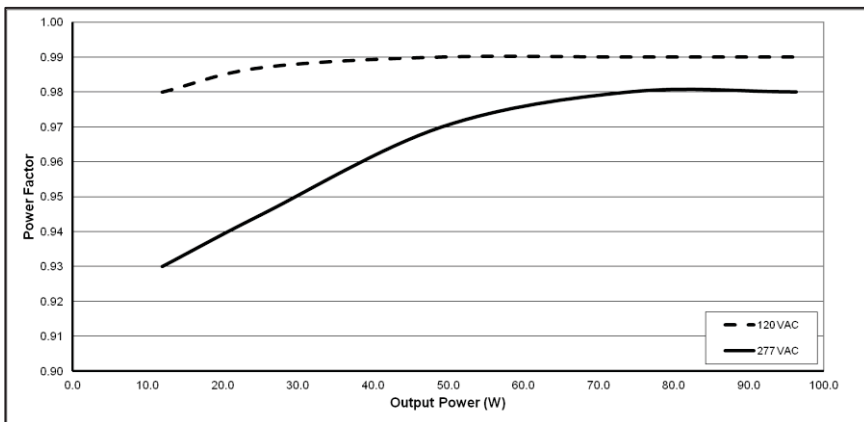
* When using the additional OTDIM unit, wire the 96W driver as in the NON-DIMMABLE diagram



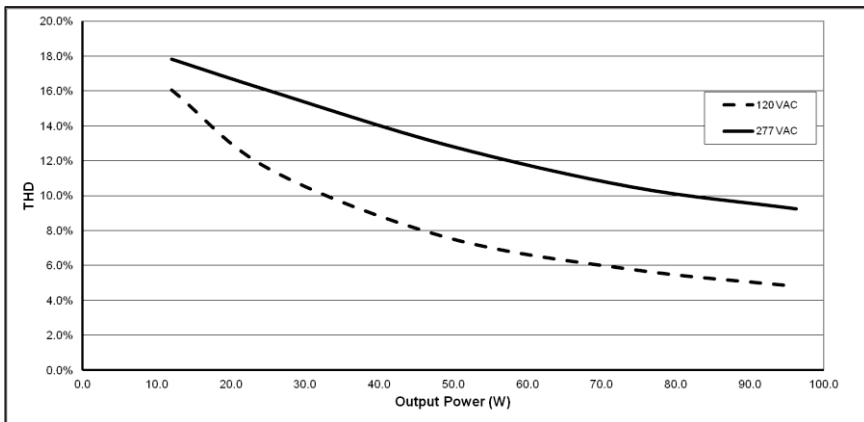
TYPICAL EFFICIENCY



TYPICAL POWER FACTOR



TYPICAL THD



WARRANTY

OPTOTRONIC® products are covered by our LED Module, OPTOTRONIC Power Supply or Control Warranty. For additional details, refer to the latest version of the warranty available at www.sylvania.com.

United States

OSRAM SYLVANIA
100 Endicott Street
Danvers, MA 01923

Trade

Phone: 1-800-255-5042

Fax: 1-800-255-5043

National Accounts

Phone: 1-800-562-4671

Fax: 1-800-562-4674

OEM/Special Markets

Phone: 1-800-762-7191

Fax: 1-800-762-7192

Display Optic

Phone: 1-888-677-2627

Fax: 1-800-762-7192

SYLVANIA Lighting Service

Phone: 1-800-323-0572

Fax: 1-800-537-0784

Canada

OSRAM SYLVANIA LTD./LTÉE
2001 Drew Road
Mississauga, ON L5S 1S4

Trade

Phone: 1-800-263-2852

Fax: 1-800-667-6772

OEM/Special Markets

Phone: 1-800-265-2852

Fax: 1-800-667-6772

SYLVANIA Lighting Service

Phone: 1-800-663-4268

Fax: 1-866-239-1278

Mexico

OSRAM Mexico

Headquarters

Tultitlan/Edo de Mexico

011-52-55-58-99-18-50

SYLVANIA and SEE THE WORLD IN A NEW LIGHT are registered trademarks of OSRAM SYLVANIA Inc. OSRAM and OPTOTRONIC are registered trademarks of OSRAM AG. Specifications subject to change without notice 1-800-LIGHTBULB (1-800-544-4828)

96W Driver

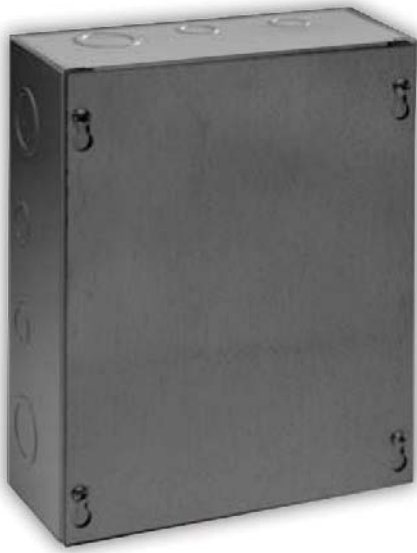
POWER SUPPLY | 96D-12X6X4

Remote Distance		Diameter	
7'-0"	(2.1m)	w/22 AWG	(.644mm)
18'-0"	(5.5m)	w/18 AWG	(1.02mm)
46'-0"	(14.0m)	w/14 AWG	(1.63mm)
71'-0"	(21.6m)	w/12 AWG	(2.05 mm)

100W	Max Run Length in Series		Max Run Lengths in Parallel	
line .75 - SO / ledge / luxrail	47'	(14.33m)	87'	(26.52m)
line .75 - HO / ledge / luxrail	12'	(3.66m)	23'	(7.018m)
line .75 - VHO (and color) / ledge	9'	(2.74m)	17'	(5.18m)
line 1.5 - SO	30'	(3.66m)	60'	(18.23m)
line 1.5 - HO	8'	(2.44m)	16'	(4.88m)
line 1.5 - VHO (and color)	6'	(1.82m)	12'	(3.66m)
line 2.0 - SO	26'	(7.92m)	26'	(7.92m)
line 2.0 - HO	17'	(5.18m)	17'	(5.18m)
line 2.0 - VHO	12'	(3.66m)	12'	(3.66m)
line 2.0 - V2HO / B / G / A	8'	(2.44m)	8'	(2.44m)
line 2.0 - R	6'	(1.82m)	6'	(1.82m)

12x6x4 Enclosure

POWER SUPPLY | 96D-12X6X4



Enclosure Construction

Enclosure and cover are fabricated from code 16 gauge steel. Enclosure body has mounting holes on the back and are available with or without knock outs on the sides, top and bottom ends. Cover is secured to the body with plated hex head combo screws, and has keyhole slots for easy removal without removing screws.

Enclosure Industry Standards

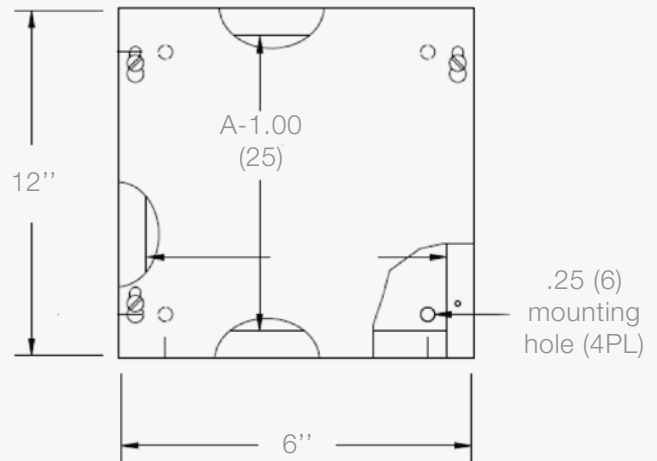
- UL 50 Listed, Type 1
- CSA C22.2 No. 40 certified, Type 1
- Conforms to NEMA standard for Type 1
- IEC 60529, IP30

**One driver enclosure can hold one 20W or 96W driver and one dimming module.*

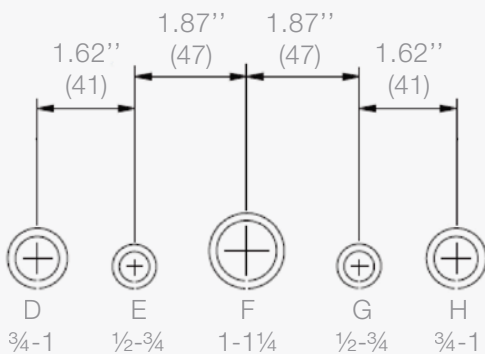
Left End With Cover



Front View Without Cover



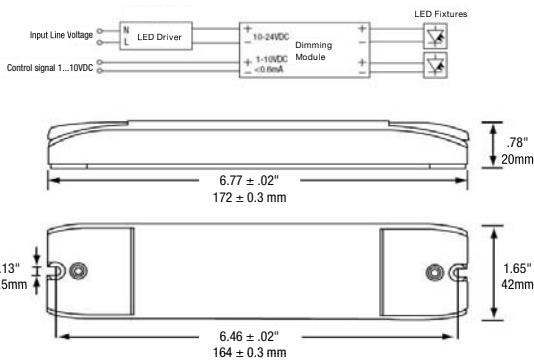
Conduit Sizes



Note: Dimensions are in inches. Millimeters are for reference only. Data subject to change without notice.

Dimming Module

POWER SUPPLY | 96D-12X6X4



DMX Compatibility

A DMX to 0-10V converter will typically be required to interface with DMX control systems. ETC has tested the dimming module with the Unison Series Dimming Rack. The Unison Fluorescent Option Module will provide up to (24) 0-10 signals from a single unit. The dimming module has also been tested with a 0-10 converter from Northlight Systems.

Tested by OSRAM

Manufacturer	Type	Model
HUNT	0-10 wall mount	PS-010
Leviton	0-10 wall mount	IP710-DLW
Lightolie	0-10 wall mount	ZP600F-AM 120W
Lutron	0-10 wall mount	NTFTV Series
	Control Panel	Grafik Eye
	Converter to 0-10v dc	GRX-TVI, GRX-TVM
NorthLight Systems	DMX to 0-10v Converter	8 channels 24 channels

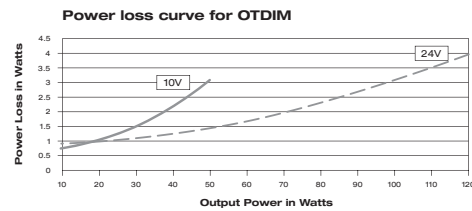
Source: OSRAM's "Controllers for LED Modules" PowerPoint

Key Features

- Utilizes pulse width modulation (PWM), to control LED performance
- Options available for analog or DMX protocols
- Dimming range: 0-100%
- Short circuit, overload and overheating protection

Specifications

Location:	Dry
Input Voltage:	24v DC
Max Input Current:	5.3A
Control Voltage:	0-10v DC
Frequency:	135 HZ
Ambient Temp:	-20°C to +50°C
Weight:	.165 lbs
Power Consumption:	Up to 3W



Lutron Products

0-10 V (current sink) IEC 60929

Entire Room Controls

Radio Touch™	Included
microWatt™	Included
Grafik Eye	
3000/2000	GRX-TVI
4000®	TVM Module
GXI	Included
Spacer System	SPSF-6A + GRX - TVI

Building Controls

LCP128™	TVM Module
G5000™/6000/7000™	TVM Module

Whole Home Controls

Radio RA®	RA-6ND + GRX-TVI
Homeworks®	GRX-TVI, TVM

Wallbox

NovaT®*	NTFTV
Nova®	NFTV
Vareo® 2	VF10 + GRX-TVI
Divi® 2	DVF103P + GRX-TVI
Skylark® 2	SF103P + GRX-TVI

Source: Lutron Application Note #138:

*Please contact specific manufacturers for details on specific dimming control

